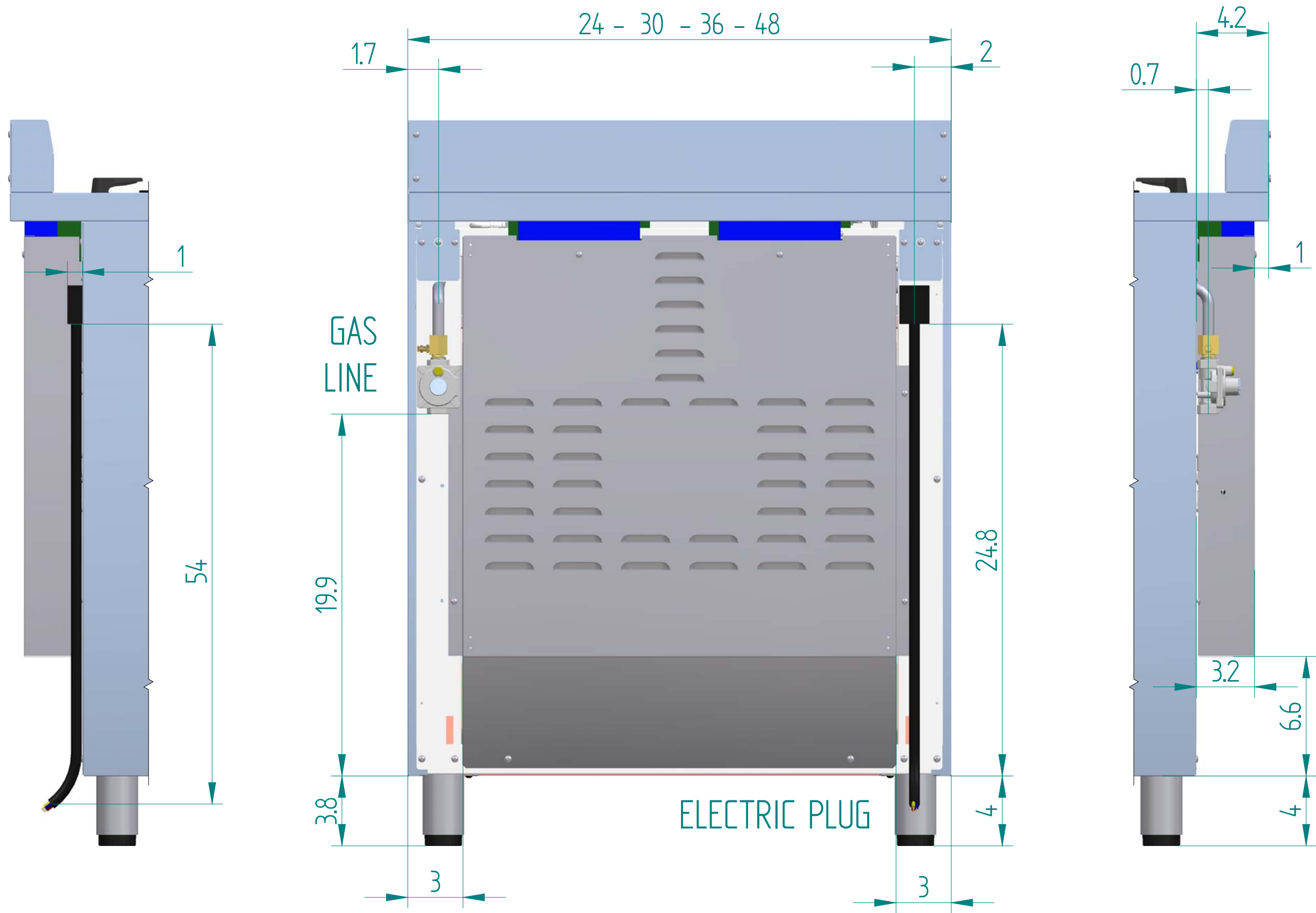
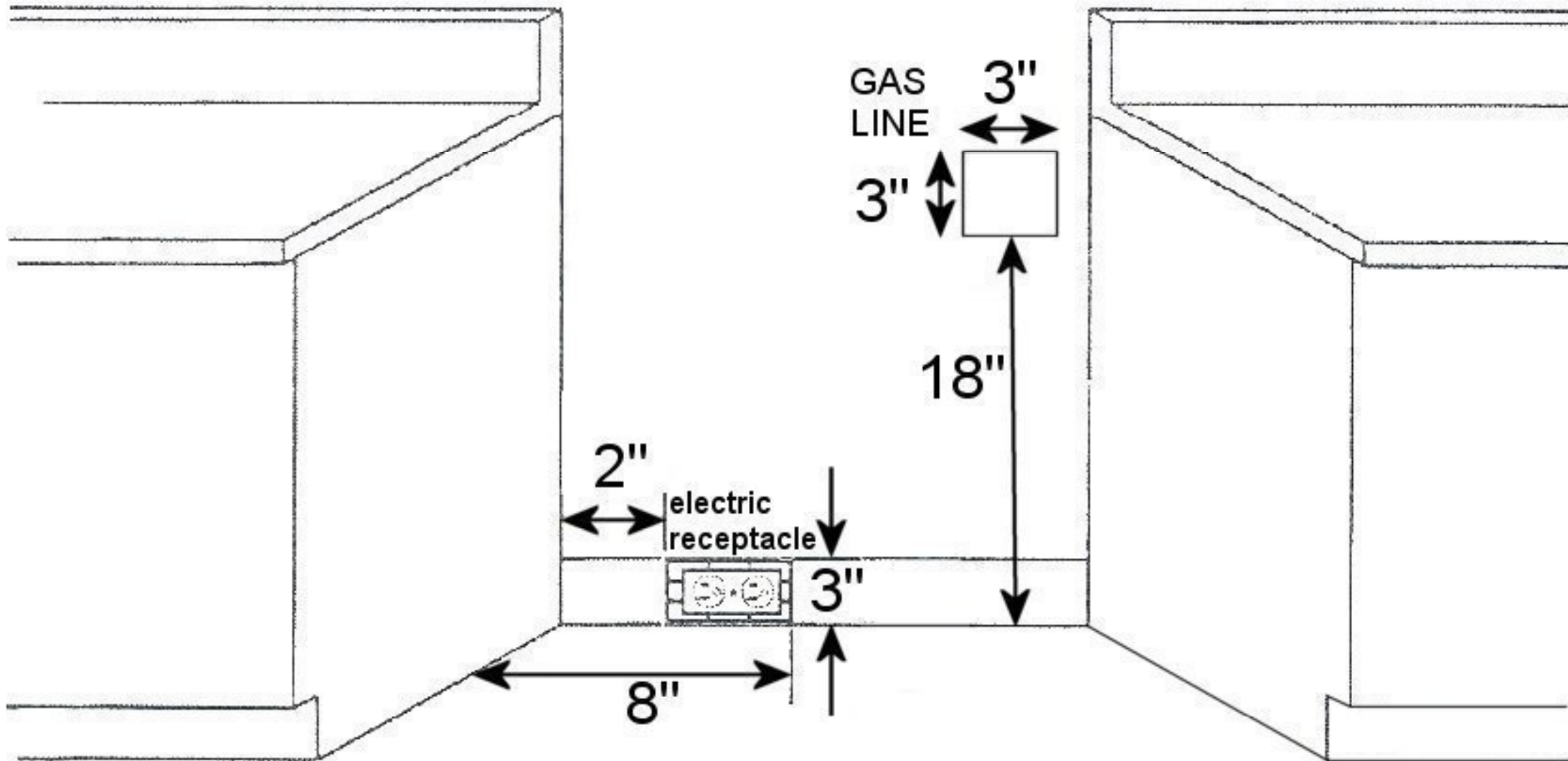
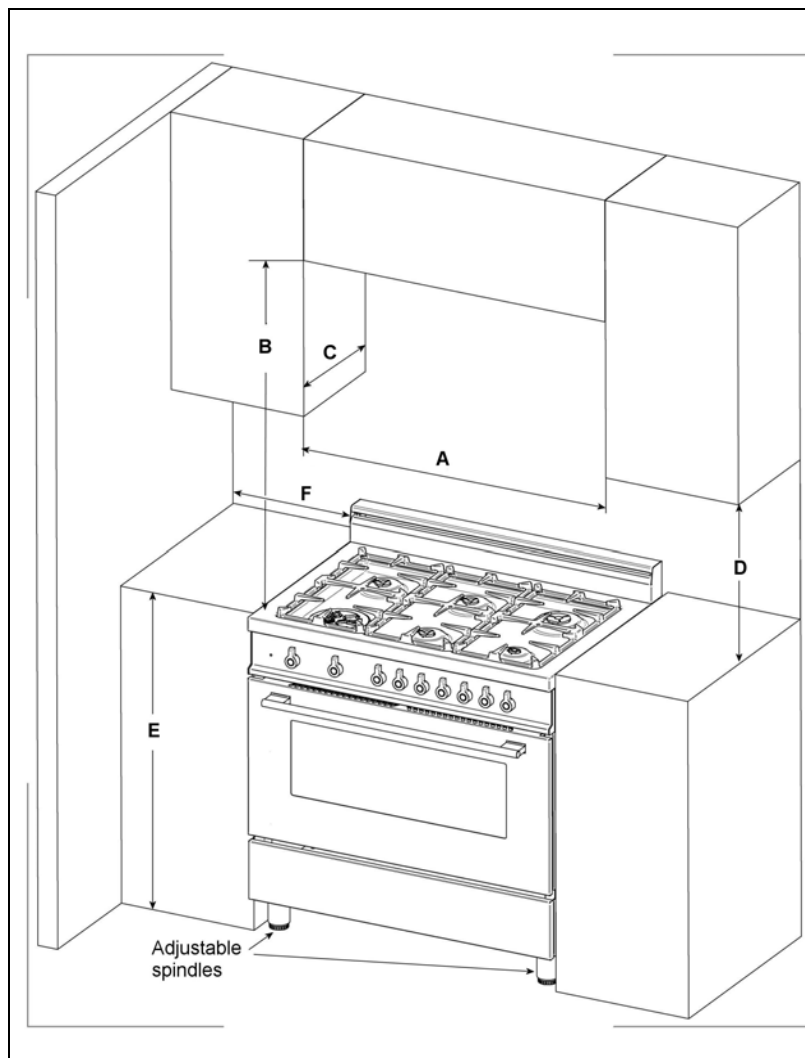


REAR VIEW





***NOTE:** Ground plug and electrical wire toward the direction of the electrical outlet



| | |
|---|---|
| A | 36" (91,5 cm) |
| B | 36" (91,5 cm) |
| C | 13" (33,0 cm) |
| D | 18" (45,7 cm) |
| E | 35" ¹ / ₂ (90,2 cm) / 37" ¹ / ₄ (94,6 cm) |
| F | 6" (15,2 cm) |

