



Built-In 10"H. Wall Hood w/Ventilator/ 12"H. Chimney Wall Hood w/Ventilator

Standard Features & Accessories

All models include

- Heavy-duty construction
 - Virtually seamless stainless steel design with no visible screws
- Heat sensor turns the ventilator on full power when cooking temperatures reach uncomfortable levels
- Recommended for 24"W., 30"W. & 36"W. non-griddle/grill ranges, rangetops, and cooktops
- 460 CFM interior-power ventilator comes standard with product
 - Variable speed controls for custom venting—separate on/off switch allows you to leave ventilator at favorite/most-used setting
- Two 50-watt halogen lights with dimmer control
 - Power switch and dimmer control are separate, allowing you to leave dimmer at favorite position
- Easy cleanup
 - Design of low-profile filter system means less interior hood space to be cleaned
 - Canopy interior is completely lined in stainless steel for increased rigidity, seamless appearance, and easy cleaning

Professional 10"H. hoods include

- Commercial-type size, design, and styling
- Allow replacement of most older hoods with minimal cabinet alteration
- Commercial-type baffle filter system efficiently removes grease and heated vapors from the air; especially designed for use with commercial-type products

Designer 12"H. hoods include

- Professional-type size, design, and styling
- Delay function—can be set to shut off from 10 – 30 minutes later (10 min. increments)
- 12-hour timer built into controls
- Two dishwasher-safe stainless steel mesh filters are easily removed for quick cleaning (frame and mesh are stainless steel)

Model numbers

PROFESSIONAL WALL HOODS, 10"H./21"D.

- VWH2410—24"W.
 - Recommended for use with 24"W. non-griddle/grill ranges (for larger equipment, use 18"H. hood)
- VWH3010—30"W.
 - Recommended for use with 30"W.

- ranges, 30"W. non-griddle/grill rangetops, and 30"W. cooktops
- VWH3610—36"W.
 - Recommended for use with 36"W. non-griddle/grill ranges, 36"W. non-griddle/grill rangetops, and 36"W. cooktops

DESIGNER CHIMNEY WALL HOODS, 12"H./24"D.

- DCH3042—30"W.
 - Recommended for use with 30"W. ranges, 30"W. non-griddle/grill rangetops, and 30"W. cooktops
- DCH3642—36"W.
 - Recommended for use with 36"W. ranges, 36"W. non-griddle/grill rangetops, and 36"W. cooktops

Model Options



VWH Professional
Wall Hood



DCH Designer Chimney
Wall Hood

FINISH DETAILS FOR PROFESSIONAL MODELS

- Stainless Steel (SS), Black (BK), White (WH), Metallic Silver (MS), Graphite Gray (GG), Stone Gray (SG), Taupe (TP), Biscuit (BT), Cotton White (CW), Oyster Gray (OG), Golden Mist (GM), Lemonade (LE), Sage (SA), Mint Julep (MJ), Sea Glass (SE), Iridescent Blue (IB), Viking Blue (VB), Pumpkin (PM), Racing Red (RR), Apple Red (AR), Burgundy (BU), Plum (PL), Chocolate (CH), and Cobalt Blue (CB).
- Finish designates front and sides.
- Accessory Rail Option—Front of hood. (Must be ordered factory installed)
 - Stainless Steel/Chrome (CR)—Stainless steel rail with chrome

supports/brackets and hooks (included).

- Brass Trim Option (BR)—nameplate, rail, supports/brackets, and hooks (included). Brass components have a durable protective coating for maintenance-free normal use.

FINISH DETAILS DESIGNER MODELS

- Stainless Steel (SS), Black (BK), White (WH), Metallic Silver (MS), Graphite Gray (GG), Stone Gray (SG), Taupe (TP), Biscuit (BT), Cotton White (CW), Oyster Gray (OG), Golden Mist (GM), Lemonade (LE), Sage (SA), Mint Julep (MJ), Sea Glass (SE), Iridescent Blue (IB), Viking Blue (VB), Pumpkin (PM),

Racing Red (RR), Apple Red (AR), Burgundy (BU), Plum (PL), Chocolate (CH), and Cobalt Blue (CB).

- Finish designates front and sides.
- Accessory Rail Option—Front of hood. (Must be ordered factory installed)
 - Stainless Steel/Chrome (CR)—Stainless steel rail with chrome supports/brackets and hooks (included).
 - Brass Trim Option (BR)—rail, supports/brackets, and hooks (included). Brass components have a durable protective coating for maintenance-free normal use.

ORDERING INSTRUCTIONS

First specify model number, followed by color code (VWH2410SS). If ordering optional decorative rail, specify code at end (VWH2410SSCR).



Built-In 10"H. Wall Hood w/Ventilator/ 12"H. Chimney Wall Hood w/Ventilator

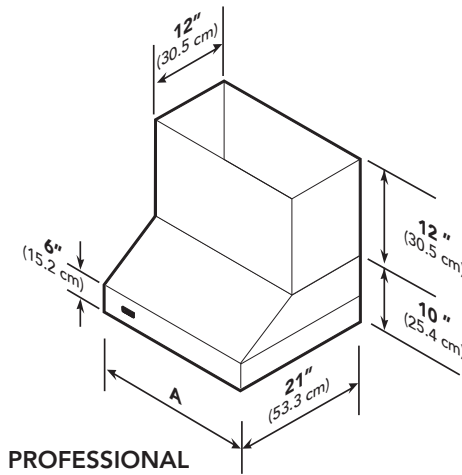
★ Please see Installation Notes & Accessories for important information, including conversion kits, filters, duct covers, backsplashes, and warming shelf panels.

Dimensions & Specifications

PRODUCT DIMENSIONS



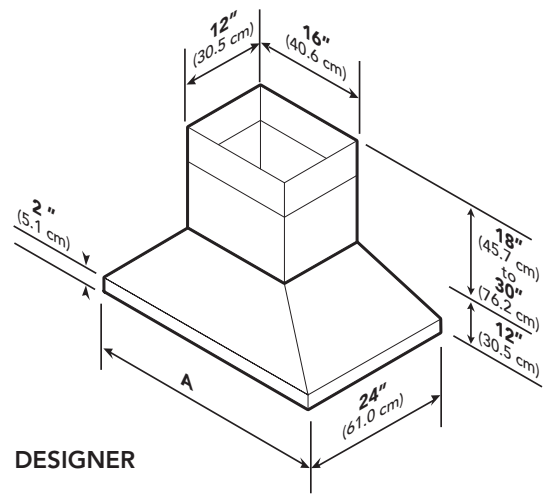
VWH Professional Wall Hood



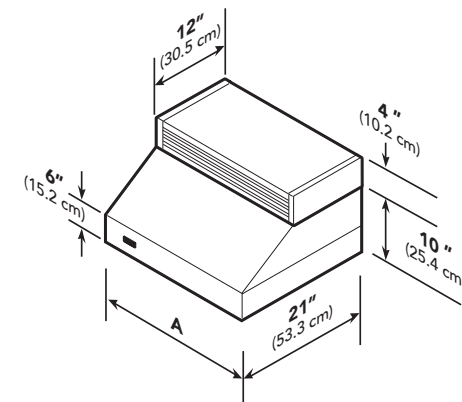
PROFESSIONAL



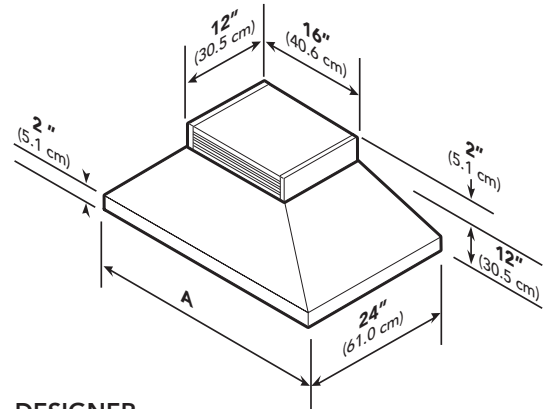
DCH Designer Chimney Wall Hood



DESIGNER



PROFESSIONAL
W/RECIRCULATING KIT



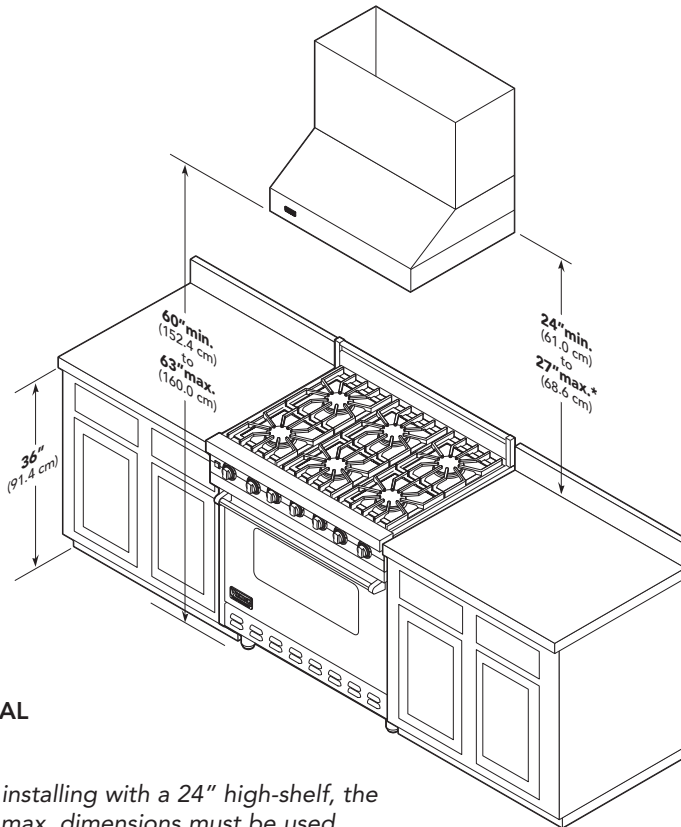
DESIGNER
W/RECIRCULATING KIT

Model	Hood Width (A)	Hood Height	Width	Duct Cover Depth	Height	Lights	Filters	Heat Lamps	Approx. Ship. wt.
VWH2410	23-7/8" (60.6 cm)	10" (25.4 cm)	23-7/8" (60.6 cm)	12" (30.5 cm)	12" (30.5 cm)	2	2	N/A	48 lbs. (21.7 kg)
VWH3010	29-7/8" (75.9 cm)	10" (25.4 cm)	29-7/8" (75.9 cm)	12" (30.5 cm)	12" (30.5 cm)	2	2	N/A	56 lbs. (25.2 kg)
VWH3610	35-7/8" (91.1 cm)	10" (25.4 cm)	35-7/8" (91.1 cm)	12" (30.5 cm)	12" (30.5 cm)	2	2	N/A	60 lbs. (27.0 kg)
DCH3042	29-7/8" (75.9 cm)	12" (30.5 cm)	16" (40.6 cm)	12" (30.5 cm)	18" (45.7 cm)— 30" (76.2 cm)	2	2	N/A	56 lbs. (25.2 kg)
DCH3642	35-7/8" (91.1 cm)	12" (30.5 cm)	16" (40.6 cm)	12" (30.5 cm)	18" (45.7 cm)— 30" (76.2 cm)	2	2	N/A	60 lbs. (27.0 kg)



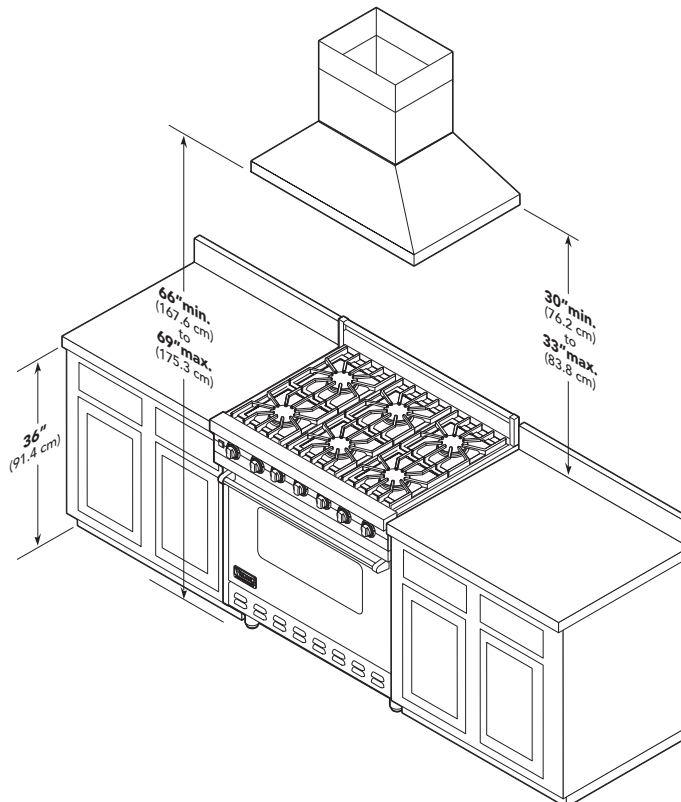
Dimensions & Specifications

CLEARANCE DIMENSIONS



PROFESSIONAL

***Note:** When installing with a 24" high-shelf, the 27" (68.6 cm) max. dimensions must be used.



DESIGNER



Installation Requirements



VWH Professional
Wall Hood



DCH Designer Chimney
Wall Hood

UTILITY REQUIREMENTS

Proper installation/ ducting is extremely important to ensure maximum performance. Use a qualified and trained installer.



DUCTING

- 460 CFM interior (blower included)
- Check with a qualified and trained installer for local codes and makeup air requirements, if any.
- Max. duct run length—50' (152.4 m)
 - o Duct run length is for general reference only; for longer duct runs, increase duct size and contact a qualified and trained installer.

- o Straight runs and gradual turns are best; for example, each 90° elbow is equivalent to 5' – 10' (1.52 – 3.05 m) of straight run.

- 7" round duct
 - o Never use flexible duct; it creates back pressure/air turbulence and greatly reduces performance.



GAS

Not applicable



ELECTRICAL

- Hardwire direct with two-wire with ground
- 120 VAC/60 Hz
- Max. amp usage—5.6



PLUMBING

Not applicable

Note: All CFMs are based on tests with 0.1 static pressure. Without applying static pressure (some brands do not), CFM could be greatly overstated.

Model	Interior Ventilator Kits	Interior Duct Size	Interior Max. Amps
VWH2410	460 CFM standard	7" (17.8 cm)	5.6
VWH3010	460 CFM standard	7" (17.8 cm)	5.6
VWH3610	460 CFM standard	7" (17.8 cm)	5.6
DCH3042	460 CFM standard	7" (17.8 cm)	5.6
DCH3642	460 CFM standard	7" (17.8 cm)	5.6



VENTILATION

Built-In 10"H. Wall Hood w/Ventilator/ 12"H. Chimney Wall Hood w/Ventilator



★ Installation Notes & Accessories

Recirculating Hood Conversion Kits

- Stainless Steel (SS)
- Eliminates ducting
- Kit includes
 - Two charcoal filters
 - Installation hardware
 - Top vent/grille
 - Professional—4"H. x 12"D.
 - Designer—2"H. x 12"D.

Model	Description	Approx. ship wt. lbs. (kg)
VRK24	Professional 24"W. conversion kit	10 (4.5)
VRK30	Professional 30"W. conversion kit	13 (5.9)
VRK36	Professional 36"W. conversion kit	16 (7.3)
DRK30	Designer 30"W. conversion kit	15.4 (7)
DRK36	Designer 36"W. conversion kit	15.4 (7)

Charcoal Filters

- For use with VRK & DRK conversion kits
- Recommended replacement every 6 – 12 months

Model	Description	Approx. ship wt. lbs. (kg)
CFV11	Professional hood filter for 24"W.	1 (0.5)
CFV13	Professional hood filter for 30"W. & 36"W.	2 (0.9)
CF-D12	Designer hood filter for 30"W.	2 (0.9)
CF-D14	Designer hood filter for 36"W.	2 (0.9)

Duct Covers

- Specify finish code following accessory model number (for example, DCW24-**SS**)
 - Professional models
 - For VWH hoods
 - 12"D.
 - Extends height of hood by 12"—conceals duct
 - Available in Stainless Steel (SS), Black (BK), White (WH), Metallic Silver (MS), Graphite Gray (GG), Stone Gray (SG), Taupe (TP), Biscuit (BT), Cotton White (CW), Oyster Gray (OG), Golden Mist (GM), Lemonade (LE), Sage (SA), Mint Julep (MJ), Sea Glass (SE), Iridescent Blue (IB), Viking Blue (VB), Pumpkin (PM), Racing Red (RR), Apple Red (AR), Burgundy (BU), Plum (PL), Chocolate (CH), and Cobalt Blue (CB).
- Designer models
 - For DCH hoods
 - For 8' – 9' ceilings
 - Available in Stainless Steel (SS), Black (BK), White (WH), Metallic Silver (MS), Graphite Gray (GG), Stone Gray (SG), Taupe (TP), Biscuit (BT), Cotton White (CW), Oyster Gray (OG), Golden Mist (GM), Lemonade (LE), Sage (SA), Mint Julep (MJ), Sea Glass (SE), Iridescent Blue (IB), Viking Blue (VB), Pumpkin (PM), Racing Red (RR), Apple Red (AR), Burgundy (BU), Plum (PL), Chocolate (CH), and Cobalt Blue (CB).
 - Not needed if using a DCCE1610

Model	Description	Approx. ship wt. lbs. (kg)
DCW24	Professional 24"W. duct cover	9 (4.0)
DCW30	Professional 30"W. duct cover	10 (4.5)
DCW36	Professional 36"W. duct cover	11 (5.0)
DCC16	Designer adjustable duct cover – for DCH 30" & 36" models	20 (9.0)





VENTILATION



Built-In 10"H. Wall Hood w/Ventilator/ 12"H. Chimney Wall Hood w/Ventilator

✦ Installation Notes & Accessories

Duct Cover Extension

- For DCH hoods
- 16"W. x 12"D. x 28 – 40"H.
- Extends height of hood by up to 12" (for 10' ceilings)
- Replaces adjustable duct cover supplied standard with hood
- Specify finish code following accessory model number (for example, DCCE1610-SS)
- Available in Stainless Steel (SS), Black (BK), White (WH), Metallic Silver (MS), Graphite Gray (GG), Stone Gray (SG), Taupe (TP), Biscuit (BT), Cotton White (CW), Oyster Gray (OG), Golden Mist (GM), Lemonade (LE), Sage (SA), Mint Julep (MJ), Sea Glass (SE), Iridescent Blue (IB), Viking Blue (VB), Pumpkin (PM), Racing Red (RR), Apple Red (AR), Burgundy (BU), Plum (PL), Chocolate (CH), and Cobalt Blue (CB).

Model	Description	Approx. ship wt. lbs. (kg)
DCCE1610	Designer duct cover extension	7 (15.4)

Backsplashes

- Stainless Steel (SS)
- 30"H.
- For both VWH & DCH hoods
- Backsplashes protect the wall space below hood
- Create a continuous finish between cooking surface and hood
- Low maintenance, easy to clean
- Hemmed edges with screw holes
- Kit includes backsplash and fastening screws

Model	Description	Approx. ship wt. lbs. (kg)
BKS24	24"W. backsplash	5 (2.3)
BKS30	30"W. backsplash	7 (3.2)
BKS36	36"W. backsplash	9 (4.1)

Warming Shelf Panels

- Stainless Steel (SS)
- 12"D. X 12"H.
- For both VWH & DCH hoods
- Shelf panels hold cookware and condiments
- Kit includes shelf (or shelves) and fastening screws
- Fold up/down, heavy-duty warming shelves (non-removable), factory installed on stainless steel backsplash
- 5-7/8"W. X 10-1/8"D.

Model	Description	Approx. ship wt. lbs. (kg)
WGP24	24"W. warming shelf panel (one shelf)	6 (2.7)
WGP30	30"W. warming shelf panel (one shelf)	9 (4.1)
WGP36	36"W. warming shelf panel (two shelves)	12 (5.4)

Compliance Information



WARRANTY SUMMARY*

- One-year full warranty—complete product
- Five-year limited warranty—all ventilator motors
- Ninety-day limited warranty—cosmetic parts such as glass, painted, and decorative items

* For complete warranty see *Use & Care Guide*. Warranty valid on Viking products shipped within the United States and Canada.

