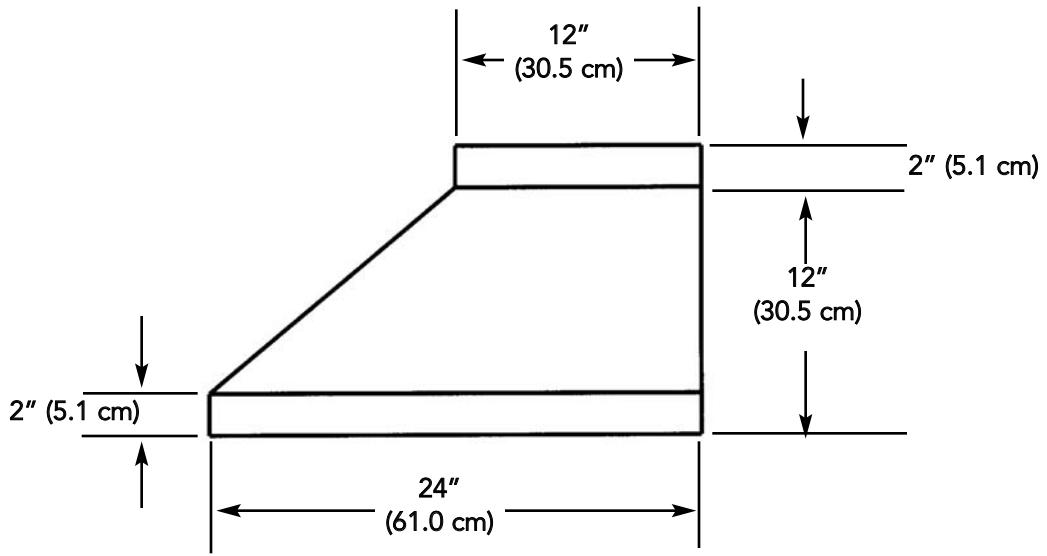
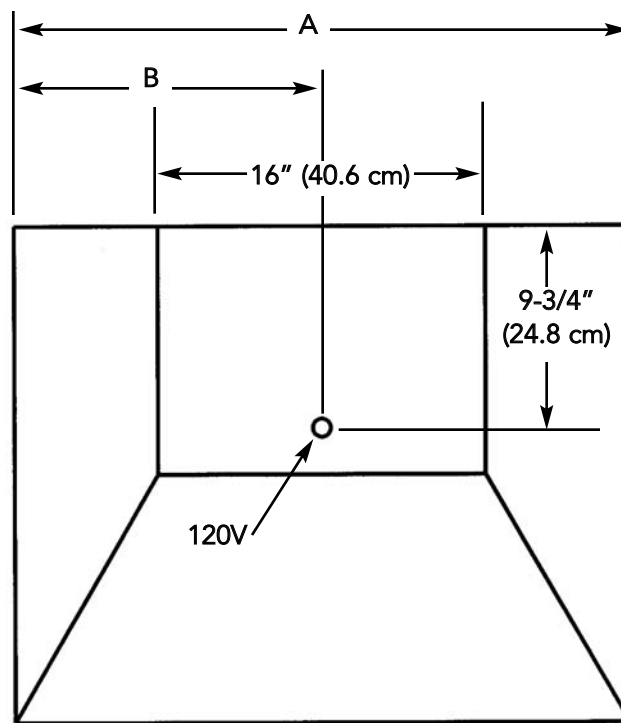


RECIRCULATING WALL HOOD DIMENSIONS

SIDE VIEW



TOP VIEW



	A	B
30" W.	29-7/8" (75.9 cm)	14-15/16" (37.9 cm)
36" W.	35-7/8" (91.1 cm)	17-15/16" (45.6 cm)