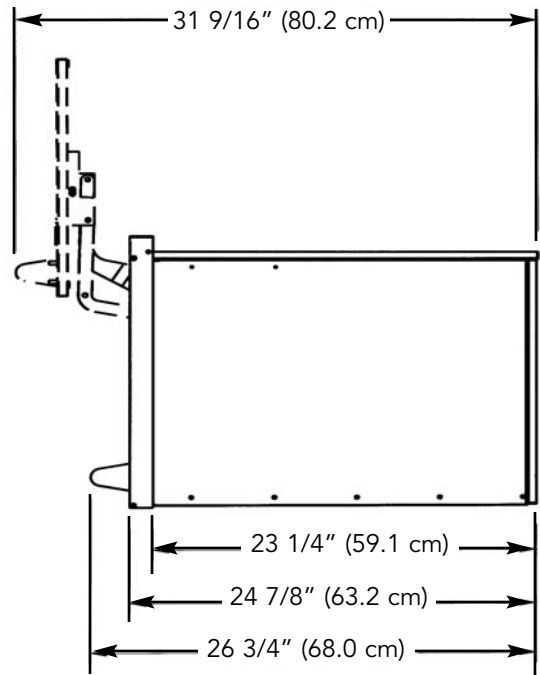
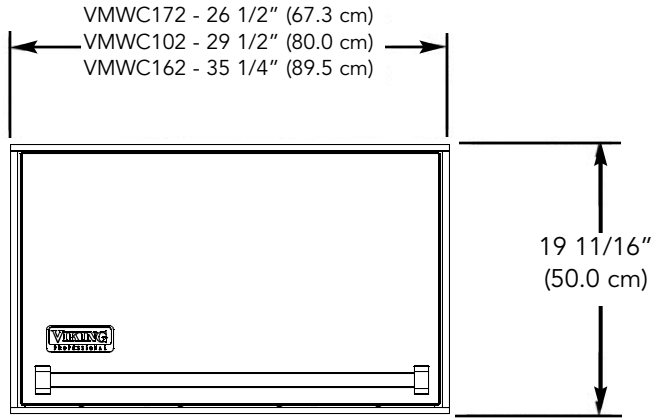
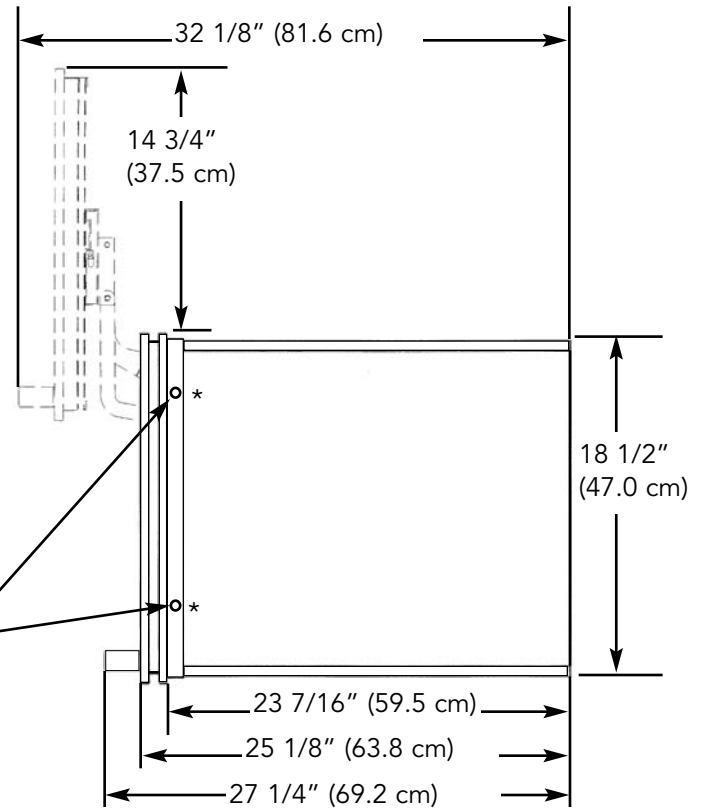
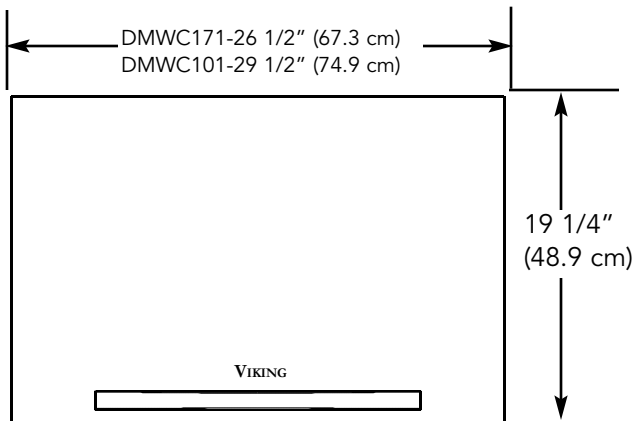


**BASIC DIMENSIONS  
(Professional Models)**

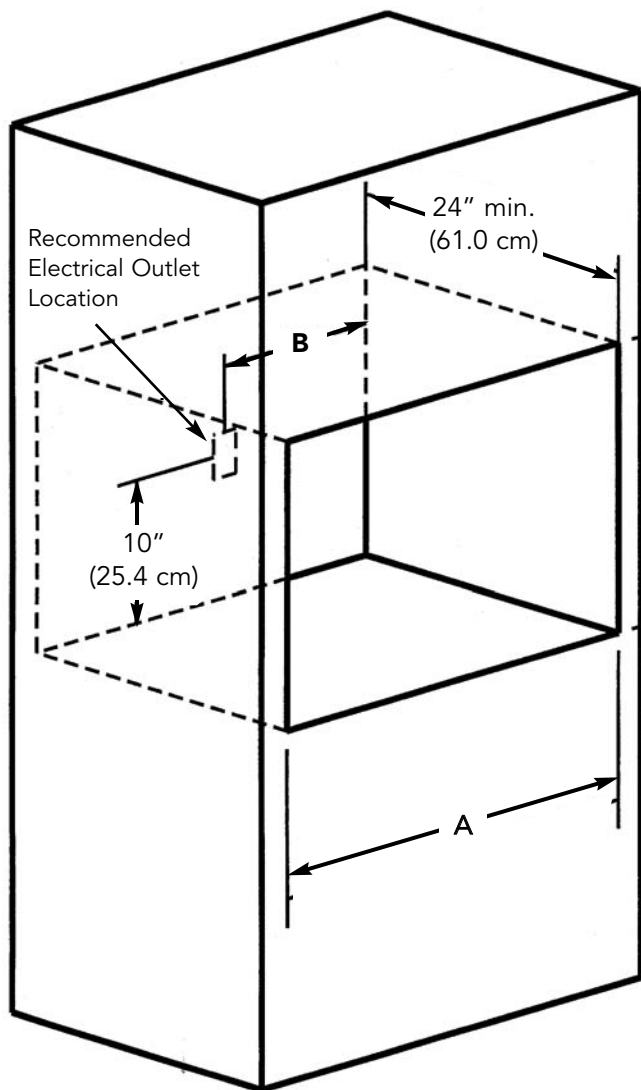


**BASIC DIMENSIONS  
(Designer Models)**

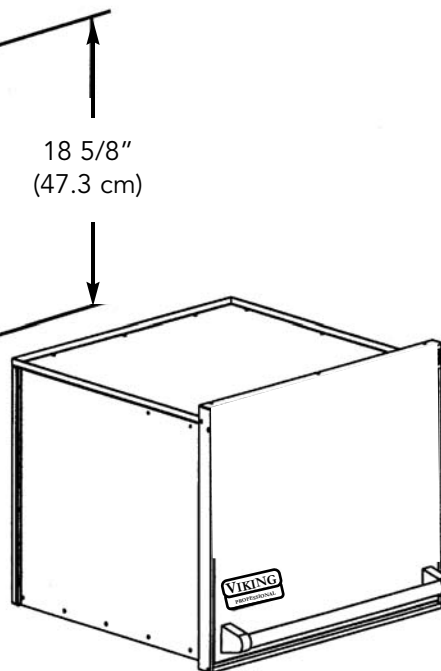


\*Adjust trim to door by loosening screws on all four sides of trim to achieve proper spacing (9/16" [1.4 cm]) if necessary. Retighten screws after making adjustment.

## CABINET CUTOUT (Professional and Designer Models)



	A	B
VMWC172	25" (63.5 cm)	12 1/2" (31.7 cm)
VMWC102	28" (71.1 cm)	14" (35.5 cm)
VMWC162	33 3/4" (85.7 cm)	16 7/8" (42.9 cm)
DMWC171	25" (63.5 cm)	12 1/2" (31.7 cm)
DMWC101	28" (71.1 cm)	14" (35.5 cm)

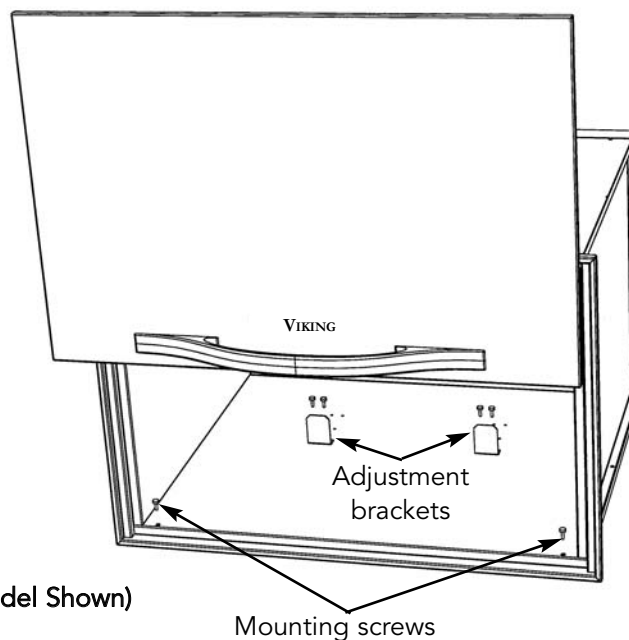


(Professional Model Shown)

## CABINET MOUNTING - (Professional and Designer Models)

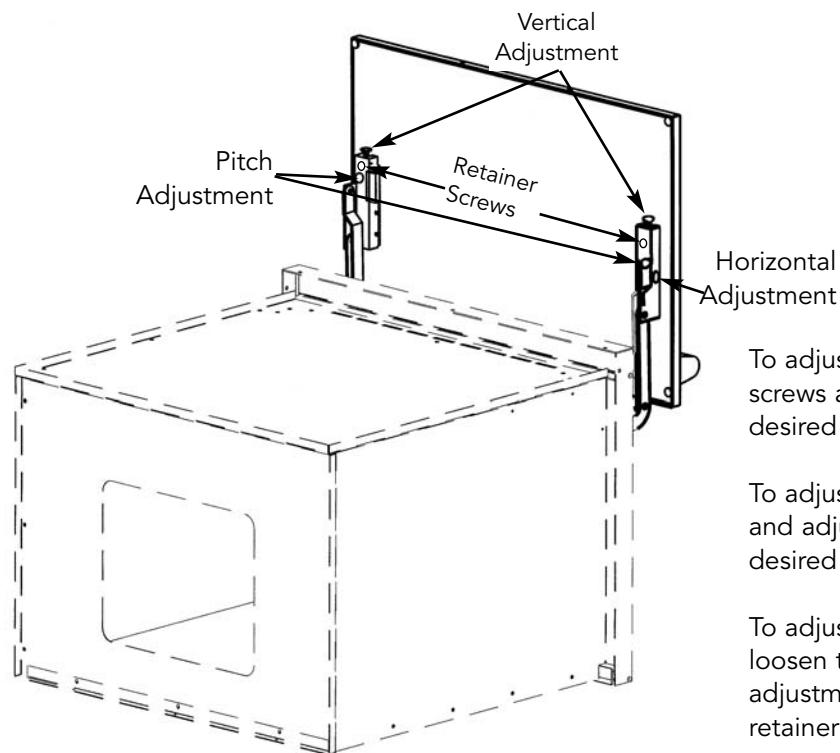
Place the multi-use chamber in the cabinet cut-out.  
Use the four enclosed screws to attach unit to the cabinet.

The adjustment brackets are used to adjust how far the microwave slides back into the chamber.



(Designer Model Shown)

## HINGE ADJUSTMENTS (Professional and Designer Models)



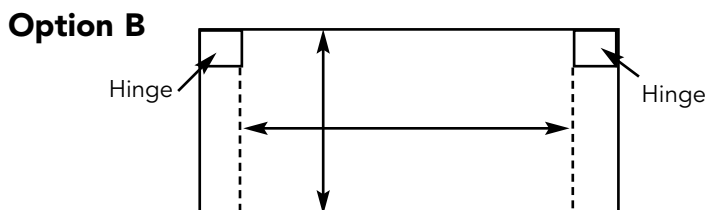
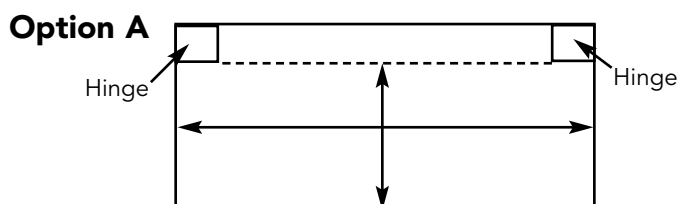
To adjust the door up or down, loosen the retainer screws and adjust the vertical adjustment screws to the desired position. Retighten the retainer screws.

To adjust the door in or out, loosen the retainer screws and adjust the horizontal adjustment screws to the desired position. Retighten the retainer screws.

To adjust the pitch of the door and sides of the chamber, loosen the retainer screws and adjust the pitch adjustment screws to the desired position. Retighten the retainer screws.

## USABLE SPACE INSIDE MULTI-USE CHAMBER

Two usable space options are given due to the location of the hinges for the upswing door. When using with a microwave, allow adequate clearance for the opening of the microwave door. The chamber can also be used to store cookbooks, small kitchen appliances, a television set, and other household items.



	VMWC172		VMWC102		VMWC162	
	A	B	A	B	A	B
<b>Max. Height</b>	12" (30.5 cm)	15" (38.1 cm)	12" (30.5 cm)	15" (38.1 cm)	12" (30.5 cm)	15" (38.1 cm)
<b>Max. Width</b>	23 5/8" (60.0 cm)	21" (53.3 cm)	26 5/8" (67.6 cm)	25" (63.5 cm)	32 5/8" (82.9 cm)	30" (76.2 cm)
<b>Depth</b>	22 1/2" (57.2 cm)	22 1/2" (57.2 cm)	22 1/2" (57.2 cm)	22 1/2" (57.2 cm)	22 1/2" (57.2 cm)	22 1/2" (57.2 cm)

	DMWC171		DMWC101	
	A	B	A	B
<b>Max. Height</b>	12 3/4" (32.4 cm)	15" (38.1 cm)	12 3/4" (32.4 cm)	15" (38.1 cm)
<b>Max. Width</b>	23 5/8" (60.0 cm)	22 3/4" (57.8 cm)	26 5/8" (67.6 cm)	25 3/4" (65.4 cm)
<b>Depth</b>	22 1/2" (57.2 cm)	22 1/2" (57.2 cm)	22 1/2" (57.2 cm)	22 1/2" (57.2 cm)