



Standard Features & Accessories

All models include

- Bin capacity—35 lbs.
- 3/4" square clear ice
- Produces up to 35 lbs. of ice per day
- Heavy-duty ice scoop included
- Draining process automatically removes old ice to ensure a constant supply of fresh ice
- Equipped with cleaning mode
- Install as undercounter or freestanding unit
- Must be ordered right or left hinge (As you face unit, RIGHT has hinge on right side and handle on left side; LEFT has hinge on left side and handle on right side)

Model Options



VUIM153D
Professional

FINISH DETAILS FOR VUIM MODEL

- Solid door
- Stainless Steel (SS)
- Finish codes designate door front. Stainless steel handle with chrome-plated brackets, black exterior cabinet and white interior.



DUIM153D
Designer

FINISH DETAILS FOR DUIM MODEL

- Solid door
- Stainless Steel (SS)
- Finish codes designate door front. Cast stainless steel handle, black exterior cabinet and white interior.



DFIM153D
Custom Front

FINISH DETAILS FOR DFIM MODEL

- Black exterior cabinet and white interior.
- Handle not included—opt for custom handle, or purchase a Viking Professional Series or Designer Series handle kit (see **Installation Notes & Accessories**).
- Accepts 3/4"-thick custom wood front
- See **Custom Panels** section for more information and additional specifications.

ORDERING INSTRUCTIONS

First specify model number, followed by hinge preference ("R" for right or "L" for left), and then color code (VUIM153DRSS).





★ Please see Installation Notes & Accessories for important information, including drain pump and handle kits.

Dimensions & Specifications

PRODUCT DIMENSIONS



VUIM153D
Professional

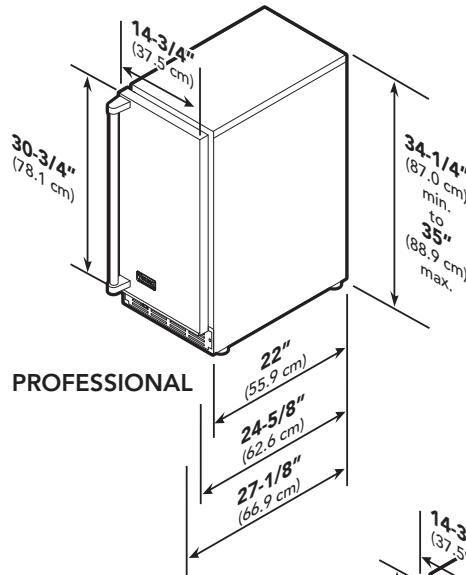


DUIM153D
Designer

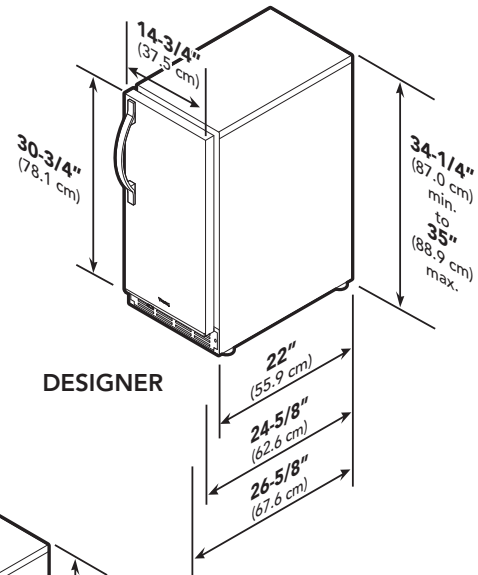


DFIM153D
Custom Front

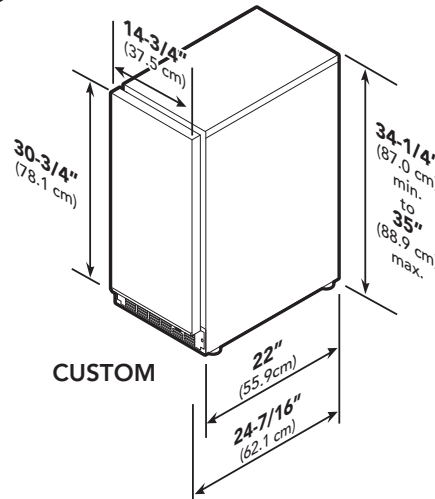
See Custom Panels section for more information and additional specifications.



PROFESSIONAL



DESIGNER



CUSTOM

	VUIM153D	DUIM153D	DFIM153D
Overall width		14-3/4" (37.5 cm)	
Overall height		34-1/4" (87.0 cm) min. to 35" (88.9 cm) max.	
Overall depth (from rear)			
To front of handle	27-1/8" (68.9 cm)	26-5/8" (67.6 cm)	Varies
With door open		37-7/8" (96.3 cm)	
Approx. ship weight		110 lbs. (49.5 kg)	



Dimensions & Specifications

DOOR SWING



VUIM153D
Professional

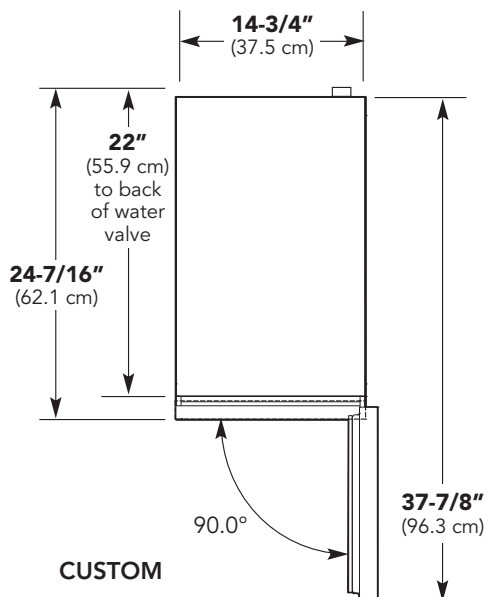
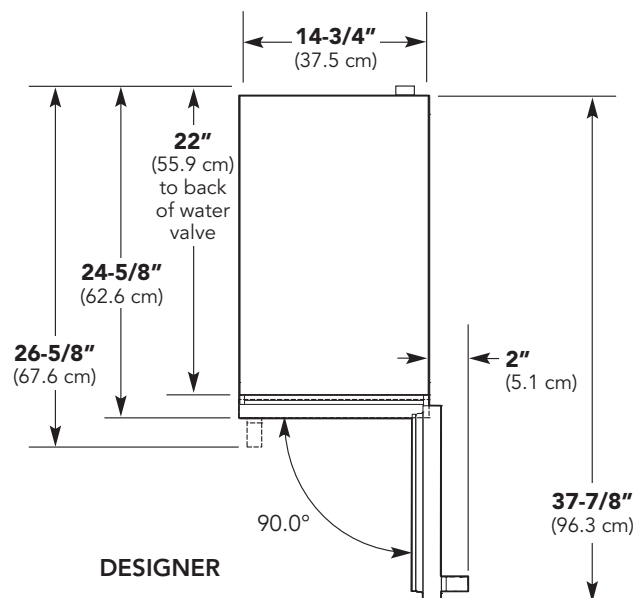
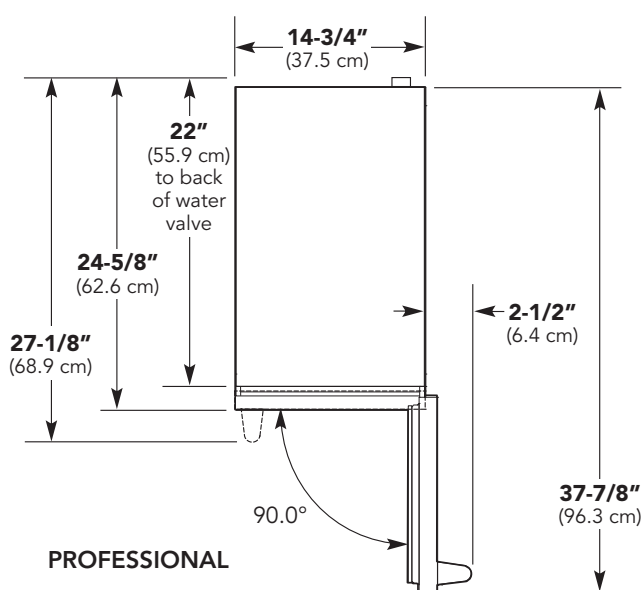


DUIM153D
Designer



DFIM153D
Custom Front

See **Custom Panels** section for more information and additional specifications.





UTILITY REQUIREMENTS



GAS
Not applicable



- ELECTRICAL**
- Three-wire cord with grounded three-prong plug attached to product
 - 115 VAC/60 Hz; 15 amp dedicated circuit
 - Maximum amp usage—3.0



- PLUMBING**
- Inlet waterline requirements—1/4" (0.64 cm) copper tubing
 - 20 psi min.; 120 psi max.

Installation Requirements

ACCESS REQUIREMENTS



VUIM153D
Professional

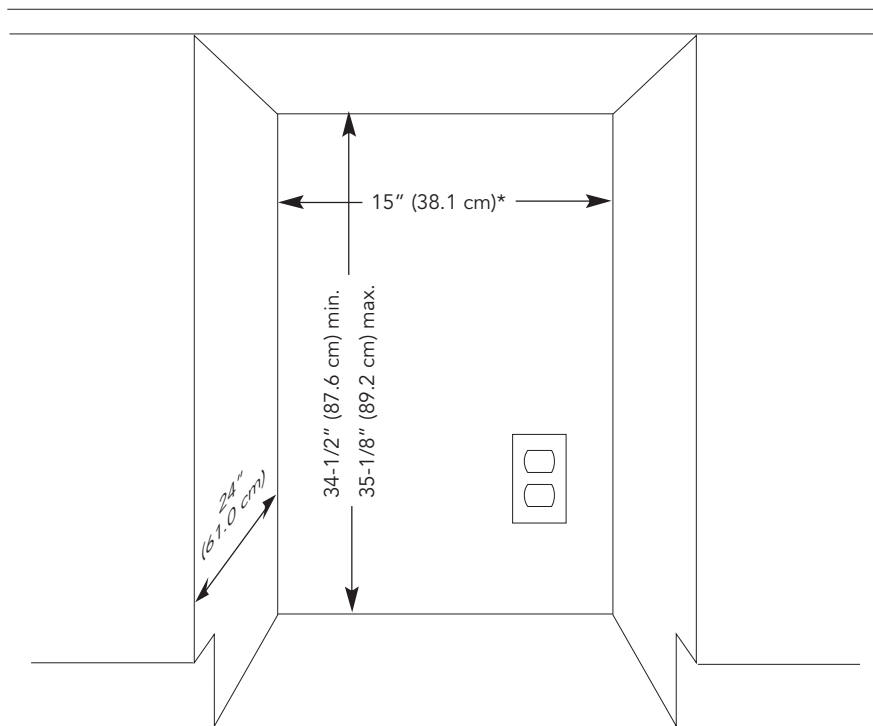


DUIM153D
Designer



DFIM153D
Custom Front

See **Custom Panels** section for more information and additional specifications.



*15" (38.1 cm) width for cabinet only; If door is recessed between cabinets, cutout must be 15-1/4" (38.7 cm).

All models	
Cutout width	15" (38.1 cm)*
Cutout height	34-1/2" (87.6 cm) min. to 35-1/8" (89.2 cm) max.
Cutout depth	24" (61.0 cm)



★ Installation Notes & Accessories

Handle Kits

- For use with custom front ice machine
- For use on locally supplied custom front panel
- Handles allow custom front products to coordinate with other Professional and Designer products
- Kit includes one handle and installation hardware

Model	Description	Approx. ship wt. lbs. (kg)
PHK30-SS	Professional handle (Stainless Steel)	6 (2.7)
PHK30-BR	Professional handle (Brass)	6 (2.7)
DHK18-SS	Designer handle (Stainless Steel)	5 (2.3)
DHK18-BR	Designer handle (Brass)	5 (2.3)

Brass Handle Kit

- For use with Professional 25"W. ice machine

Model	Description	Approx. ship wt. lbs. (kg)
PURHK30-BR	Professional brass handle kit and logo for VUIM	6 (2.7)

Sealed Reservoir Drain Pump Kit

- Exclusively for ice machines
- For use when floor drain is not available
- Completely sealed reservoir
- Unit shuts off power to ice machine in the event of a pump failure
- Special design makes the possibility of foreign material clogging pump very remote
- Check valve in discharge tube prevents discharge water from flowing back into the pump
- Supplied with two-wire with ground/three-prong plug for connection to 115V/60Hz and incorporates a power receptacle into which the the ice machine is plugged
- Kit includes one pump and other parts/hardware

Model	Description	Approx. ship wt. lbs. (kg)
DP-VUIM	Sealed reservoir drain pump	2 (0.9)

Compliance Information



WARRANTY SUMMARY*

- Two-year full warranty—complete unit
- Six-year full warranty—sealed refrigeration system (includes compressor, condenser, dryer/strainer, evaporator, and connecting tubing)
- Twelve-year limited warranty—sealed refrigeration system
- Ninety-day limited warranty—cosmetic parts such as glass, painted, and decorative items

*For complete warranty see *Use & Care Guide*. Warranty valid on Viking products shipped within the United States and Canada.

