



TABLE OF CONTENTS

Introduction... 1
Warranty Registration... 1
General Precautions... 2
Installation Specifications... 2
Preparing the Space... 4
Preparing Electrical Connections... 4
Unpacking and Moving... 4
Anti-Tip Brackets... 5
Installation... 5
Shelving... 5
Door Options... 6
Wood Overlay Installation... 7
Wooden Wine Rack Trim Finishing... 9
Operation... 9
General... 9
Interior Light... 9
Loading Product... 9
Temperature Control Panel... 9
Adjusting the Setpoint... 10
Checking Product Temperature... 10
Maintenance... 10
Cleaning... 10
Cleaning the Condenser... 10
Troubleshooting... 12
Warranty... 14

INTRODUCTION

Congratulations on your purchase of a Perlick residential refrigeration product. Celebrating over 91 years of excellence, Perlick is the industry leader in commercial refrigeration systems. Today, Perlick has taken its expertise and experience into creating the highest quality and most innovative residential products on the market.

This Installation and Operation manual will answer your questions about the features, operation and maintenance of your Perlick unit. If you have questions that are not addressed here, call 800/558-5592.

IMPORTANT: Please read all instructions completely before attempting to install or operate the unit. Take note of DANGER, CAUTION and WARNING when they appear in the manual.

DANGER indicates a hazard that will result in serious injury or death if precautions are not followed.

WARNING indicates a hazard may cause serious injury or death if precautions are not followed.

CAUTION indicates a hazard where minor injury or product

WARRANTY REGISTRATION

To request information or service, the model number and serial number must be provided. This information is located on the inside ceiling of the unit and on the warranty registration card included with information packet shipped with the unit.

IMPORTANT: Read through the included warranty statement then complete and mail the Warranty Registration Card as soon as possible to validate the registration date. Warranty registration can also be done online at www.perlick.com.

Model Number _____

Serial Number _____

Purchase Date _____

Dealer Name _____

Dealer Address _____

Dealer Phone No. _____

Retain this manual along with the sales receipt for future reference.



GENERAL PRECAUTIONS

DANGER

Risk of child entrapment. Before you throw away your old refrigerator or freezer, take off the doors and leave shelves in place so children may not easily climb inside.

DANGER

Altering or cutting of the power cord, or removal of the power plug, or direct wiring can cause serious injury, fire and/or loss of property and/or life and will void the warranty.

WARNING

- Never attempt to repair or perform maintenance on the unit until the electricity has been disconnected.
- The anti-tip kit must be installed on this unit before it is used. Never use the drawers, shelves or doors as steps or to support more than they are designed to support.

CAUTION

- Do not lift unit by door handle.
- Failure to clean the condenser every three months can cause the unit to malfunction. This could void the warranty.
- Never install the unit behind closed doors. Be sure front louvered toe plate is free of obstruction. Obstructing free air flow can cause unit to malfunction and may void the warranty.

CAUTION

Use only Perlick replacement parts. Imitation parts can damage the unit, and may void the warranty.

INSTALLATION SPECIFICATIONS

General

- All electrical instructions assume that outlet is located 4-10 inches from the floor.
- Floor must be level in area of installation. Leg levelers are used for fine-tune adjustment only and should not be used to compensate for floor differences exceeding 1/2".
- When moving unit into position, take care to protect floor surface with cardboard, rugs, etc.

- Never attempt to move unit without the aid of at least one other person.
- Always secure door shut prior to moving the unit.

Finished Rough Opening Requirements

- Height: 34-1/2" minimum
35-1/2" maximum
- Depth: 24"
- Width: 24"

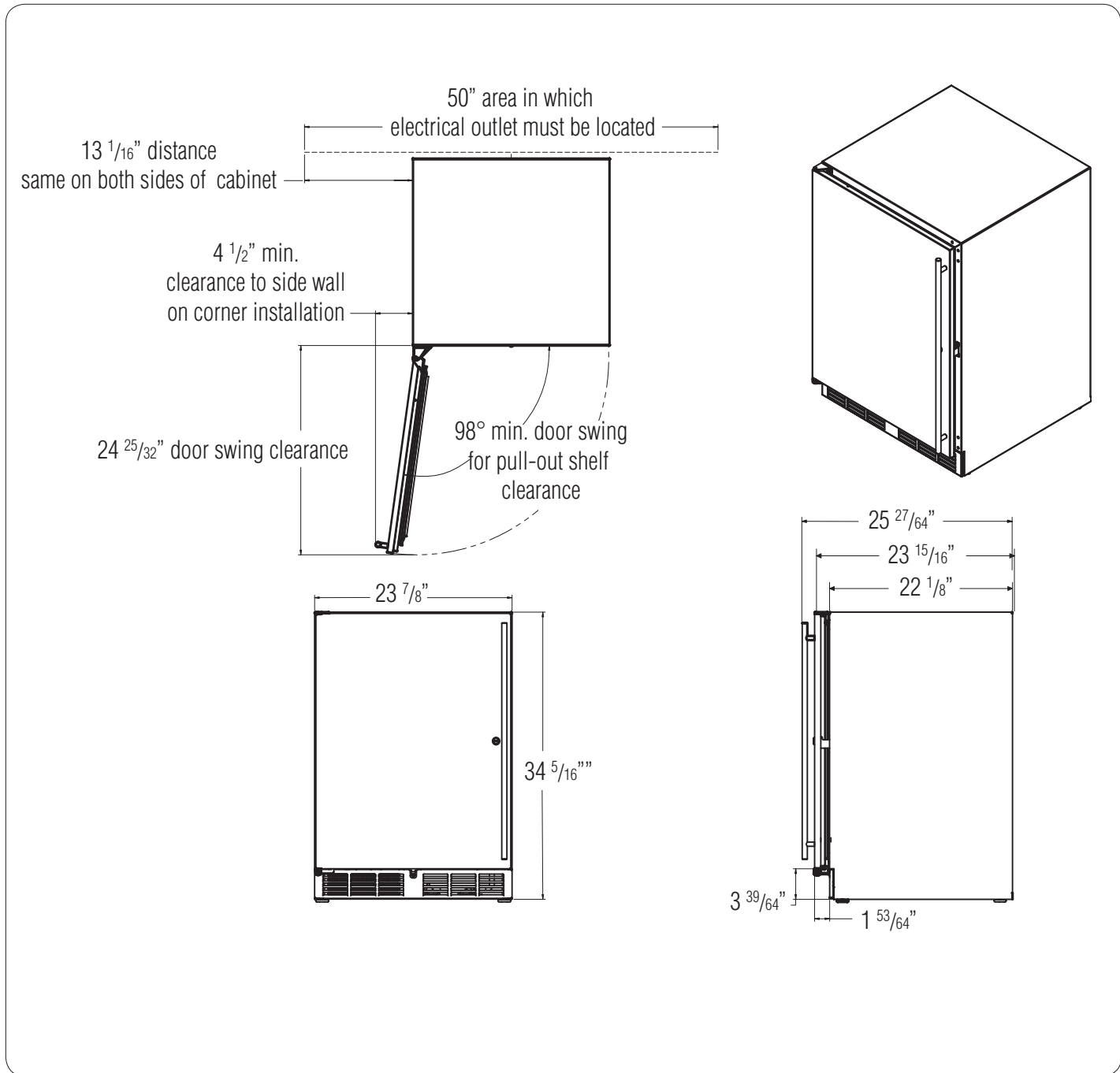


Figure 1. Dimensions

PREPARING THE SPACE

Make sure the installation opening is properly prepared. Refer to Figure 1 for space dimensions.

CAUTION

If unit is to be installed under a countertop, it is recommended that the countertop be supported by a structure other than the unit itself, to prevent damage to the countertop.

IMPORTANT: For a cabinet door to operate properly, the door must open a minimum of 98° (see Figure 1). Use a minimum 4-1/2" filler in corner installations to ensure a 100° opening. Allow 25" clearance in front of the unit for full door swing and shelf pull-out.

IMPORTANT: Make sure floor under unit is level with the surrounding finished floor. Protect a finished floor with plywood, cardboard or some other suitable material before moving the unit into place. Failure to do this may result in damage to the floor.

PREPARING ELECTRICAL CONNECTIONS

A 115 volt, 60Hz, 15 amp circuit breaker and electrical supply are required. A separate circuit is recommended for each Perlick unit installed.

Follow the National Electrical Code along with local codes and ordinances when installing the receptacle.

All Perlick units come equipped with a NEMA 5-15P, 90° plug with a 5' cord (minimum) extending beyond the rear of the unit. The electrical outlet must be flush with, or recessed into, the back wall.

DANGER

ELECTROCUTION HAZARD!

Electrical grounding required. This appliance is equipped with a 3-prong (grounding) polarized plug for protection against possible shock hazards.

- Never remove the round grounding prong from the plug.
- Never use a 2-prong grounding adapter.
- Never use an extension cord to connect power to the unit.

If a 2-prong wall receptacle is encountered, or a longer power cord is required, contact a qualified electrician to install the proper 3-prong receptacle in accordance with applicable electrical codes.

DANGER

Failure to comply with the above electrical guidelines may result in possible injury/death/fire or loss of property.

UNPACKING AND MOVING THE UNIT

CAUTION

Do not cut cardboard sleeve covering the unit. Cutting may result in damage to the exterior of the unit.

1. Uncrate the unit outside on a flat level surface. Remove the cardboard sleeve by removing the banding holding the sleeve to the shipping base. Carefully lift the cardboard sleeve up over the top of the cabinet.
2. Carefully lift unit off base and onto a hand truck or dolly (this should be done with a minimum of two people, larger cabinets may require additional helpers). Make sure unit is balanced on transporting device. Secure unit to transporting device using soft, flexible strapping. Protect cabinet surfaces with cloth material where strapping contacts the unit.
3. Before moving unit, secure door to unit with tape to hold the door closed.

WARNING

A minimum of two people should lift the cabinet off the base to prevent possible personal injury.

4. Carefully move unit to installation site and place in front of opening.

ANTI-TIP BRACKETS

WARNING

Unit may tip forward if loaded racks/shelves are all pulled out at the same time. To prevent tipping and provide a stable installation, the unit must be secured in place with the anti-tip brackets provided with the unit.

A set of metal anti-tip brackets and #10 x 3/4" screws are

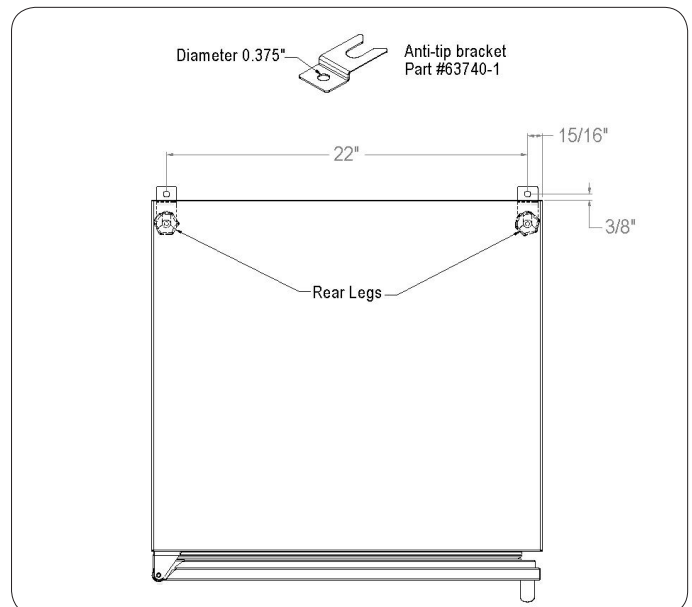


Figure 2. Anti-Tip-Over Mounting

supplied with the unit. The anti-tip brackets, when properly installed, should secure the rear legs and prevent the unit from tipping forward.

Some installation sites may require modification to provide a secure surface for attaching the brackets. Refer to Figure 2 for mounting bracket locations.

IMPORTANT: If installing on a concrete floor, concrete fasteners are required and are not included in the Anti-Tip kit.

INSTALLATION

CAUTION

Finished flooring should be protected with appropriate material to avoid damage from moving the unit.

If unit has been laid on its back or sides, place unit upright and allow minimum of 24 hours before connecting power.

1. Plug the unit into the 15 amp grounded outlet located in the installation opening. With power applied to the unit, check that lighting and cooling function operate properly, then turn off power to the wall outlet at the circuit breaker.

WARNING

Shut off power to the wall outlet before installing unit into the opening.

2. Check that the following are level and square:
 - front face and interior opening
 - installation opening and floor surface
 - countertop bottom front edge

IMPORTANT: The floor under the unit must be at the same level as the surrounding finished floor.

3. If all surfaces are level, refer to Figure 3 and perform the following:
 - a. Measure from the floor to the bottom of the front edge of the countertop.
 - b. Measure the rear of unit cabinet from floor to top of cabinet, at back corners.
 - c. Adjust rear legs so B measurement equals A measurement. Using an adjustable wrench or pliers, turn legs counterclockwise to raise the unit or clockwise to lower the unit.

IMPORTANT: Leveling legs should not extend more than 3/4" from bottom of unit.

4. Slide the unit into position. Make sure the rear levelling legs slide under the anti-tip brackets. Push the unit into the opening until the bottom front edge of the unit is

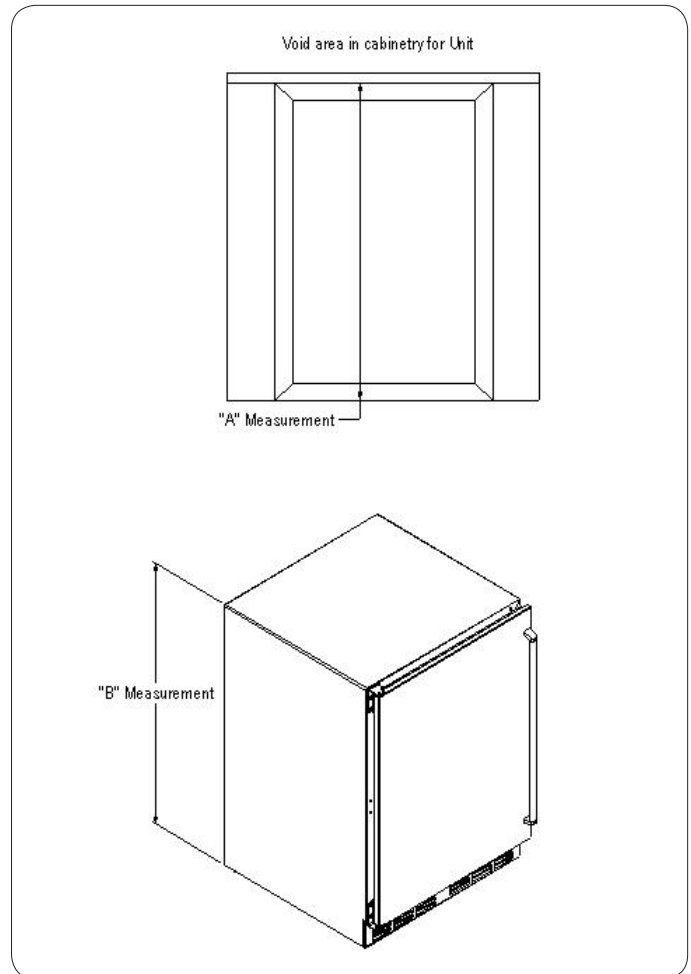


Figure 3. Leveling

flush with the surrounding cabinetry, or until the rear legs are tight against the anti-tip brackets.

IMPORTANT: The rear leveling legs must be engaged under the anti-tip brackets.

5. Shim the front of the unit so the front face is flush with the surrounding cabinetry. Adjust the front legs to support the countertop at the shimmed height. Using an adjustable wrench or pliers, turn legs counterclockwise to raise the unit or clockwise to lower the unit. Countertop should be resting on top of the unit.

IMPORTANT: If countertop is not resting entirely unit top, shim the countertop to prevent damage to the countertop.

CAUTION

To prevent damage to the countertop and unit underneath, do not place heavy objects on countertop directly above the unit.

6. Check interior door openings inside unit and ensure unit is level.

CAUTION

The louvered toe plate must be removed to service the unit. The floor cannot interfere with removal. The louvered sections must not be covered or obstructed to prevent proper air circulation.

SHELVING

IMPORTANT: To achieve maximum performance, interior louver openings and fan guard openings should never be obstructed.

Freezer/Refrigerator

The single door unit comes standard with black vinyl coated adjustable full extension pullout shelves.

Wine Reserve

The single door unit comes standard with six full extension black vinyl coated wine racks capable of storing 48 total wine bottles. Shelves are removable and adjustable to accommodate oversized (magnum) bottles. Additional storage is available on the lower step for of an five wine bottles.

Beverage Center

The single door unit comes standard with two full extension black vinyl coated wine racks and one industry exclusive full extension pullout shelf allowing for storage of both wine and beverages. Shelving positions are adjustable.

Adjusting Full Extension Shelving

1. Pull the shelf out to its farthest position. Locate the tabs in the middle of both extenders (Figure 4). Lift one tab up while pushing the opposite tab down and pull shelf out.
2. Reposition each bracket separately. Grasp the middle of the bracket, pull the front end up and out, then forward to remove (Figure 5).
3. Place bracket at the desired position. Push the rear hook into the rear key slot. Set front of bracket on the wall hook.
4. Repeat for other bracket(s).
5. Push extenders completely into the unit. Align the shelf grooves with the extenders and slide completely into the unit.

DOOR OPTIONS

Perlick residential units offer a variety of door panel design alternatives; solid stainless steel, solid wood overlay, stainless steel glass and wood overlay glass.

Solid stainless steel and stainless steel glass doors are shipped from the factory with decorative stainless steel panels and handles in place on the appliance.

Solid wood overlay and glass wood overlay doors are designed to accept a decorative front panel to match surrounding cabi-

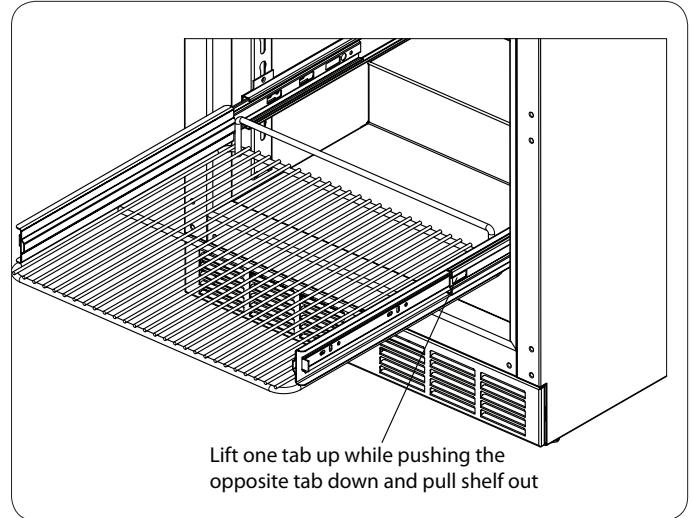


Figure 4. Sliding Shelf Extender Tabs

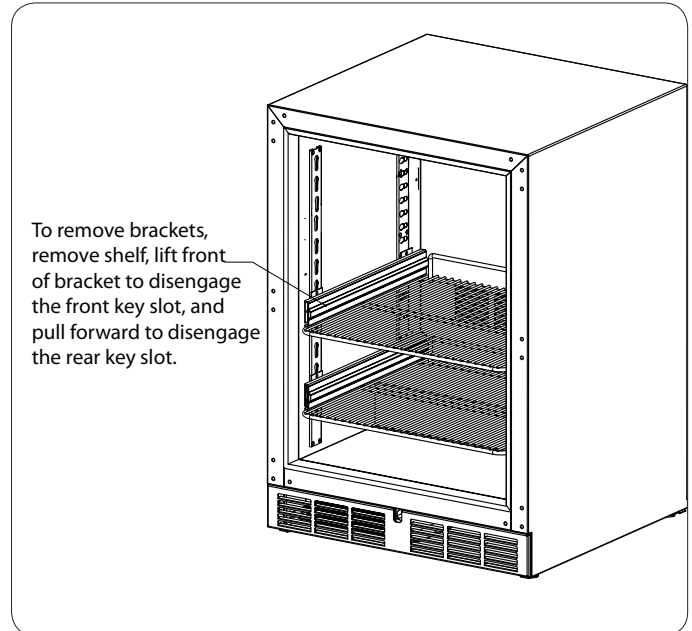


Figure 5. Sliding Shelf Mounting Brackets

etry and door handles. The panel and door handles are supplied by the customer.

All Perlick units accept any of the above door configurations and are fully interchangeable.

IMPORTANT: Glass with stainless trim and glass with wood trim may sweat in conditions with relative humidity over 75%.

WOOD OVERLAY INSTALLATION

Before beginning installation, check all components for proper fit and finish.

WARNING

- All overlay doors required a trim panel at least 3/4" thick.

- The solid wood overlay panel should not weigh more than 20 pounds.
- The glass wood overlay panel should not weigh more than 10 pounds.

The following instructions cover installing a solid wood overlay or glass wood overlay panel and handle to a door or drawer.

IMPORTANT: Contact the factory for full size wood overlay panel layouts.

Refer to Figure 7 for solid wood overlay panel.
 Refer to Figure 8 for glass wood overlay panel.
 Refer to Figure 9 for drawer wood overlay panel

Door Lock Installation (optional)

When installing to wood overlay, perform lock installation before mounting wood overlay to door.

1. See Figure 6. Attach mounting bracket to wood overlay.
2. Insert lock body and attach with nut.

Handle Installation

CAUTION

Handle mounting on wood overlay door should be mounted on overlay panel only (not the door) to avoid damage to the factory door.

1. Handle must be attached to overlay before mounting

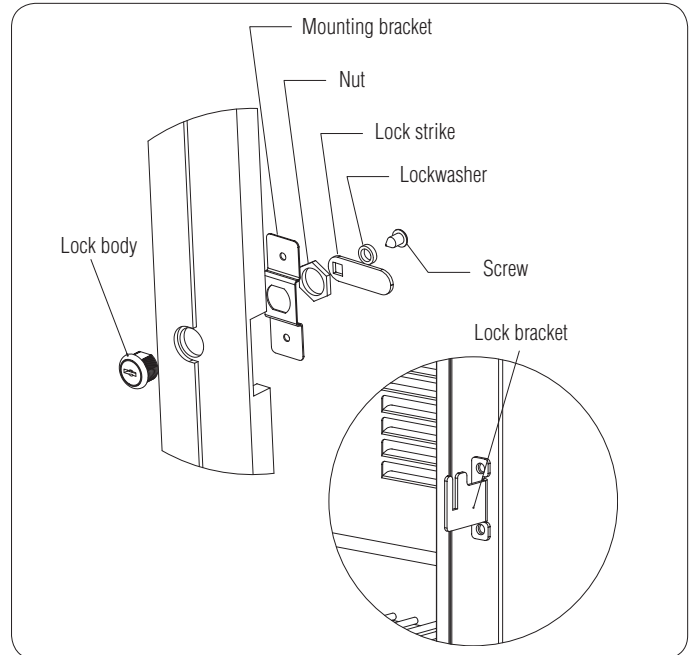


Figure 6. Door Lock - Optional

overlay onto door. Mark rear of wood overlay panel with handle fastening locations.

2. Drill through wood overlay panel at marked locations tak-

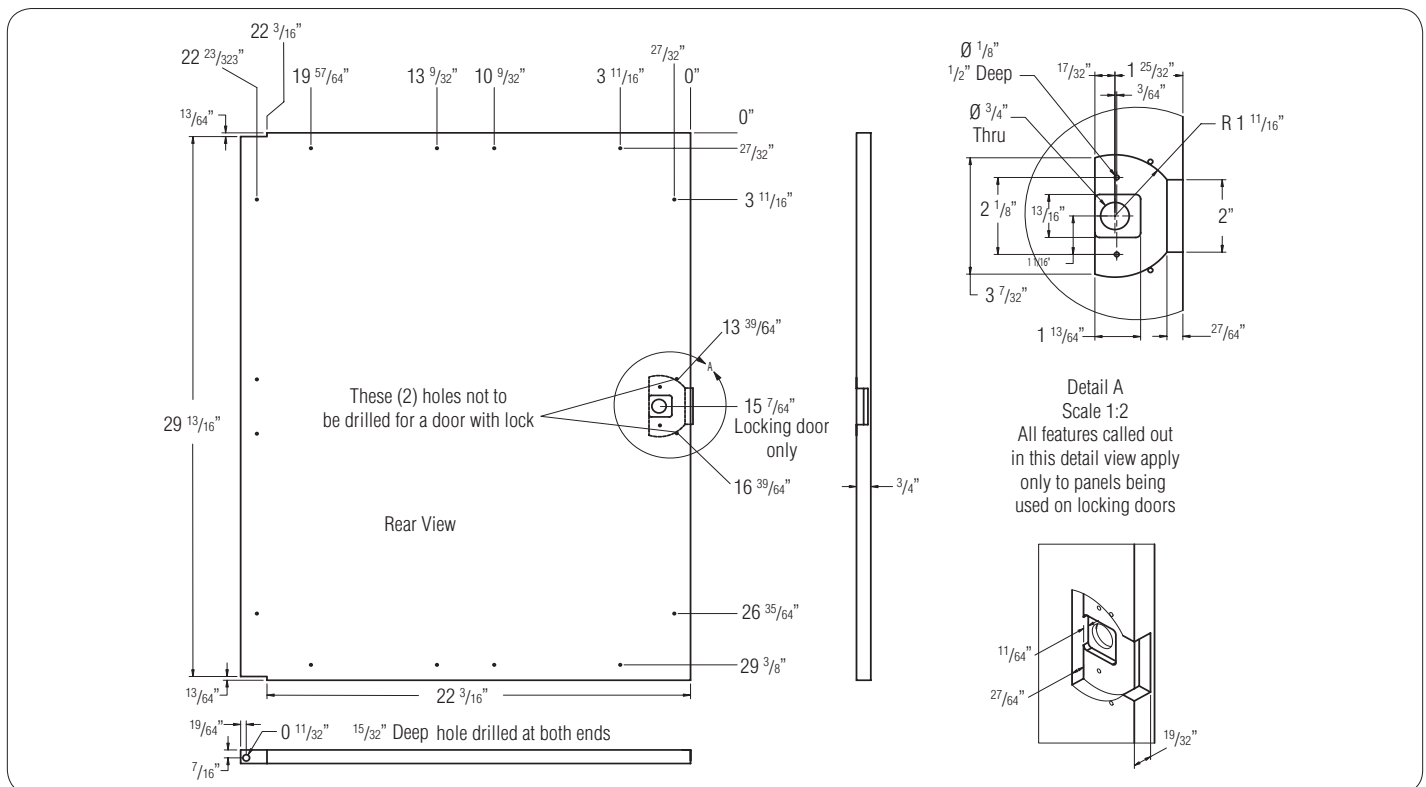


Figure 7. Solid Wood Overlay Panel

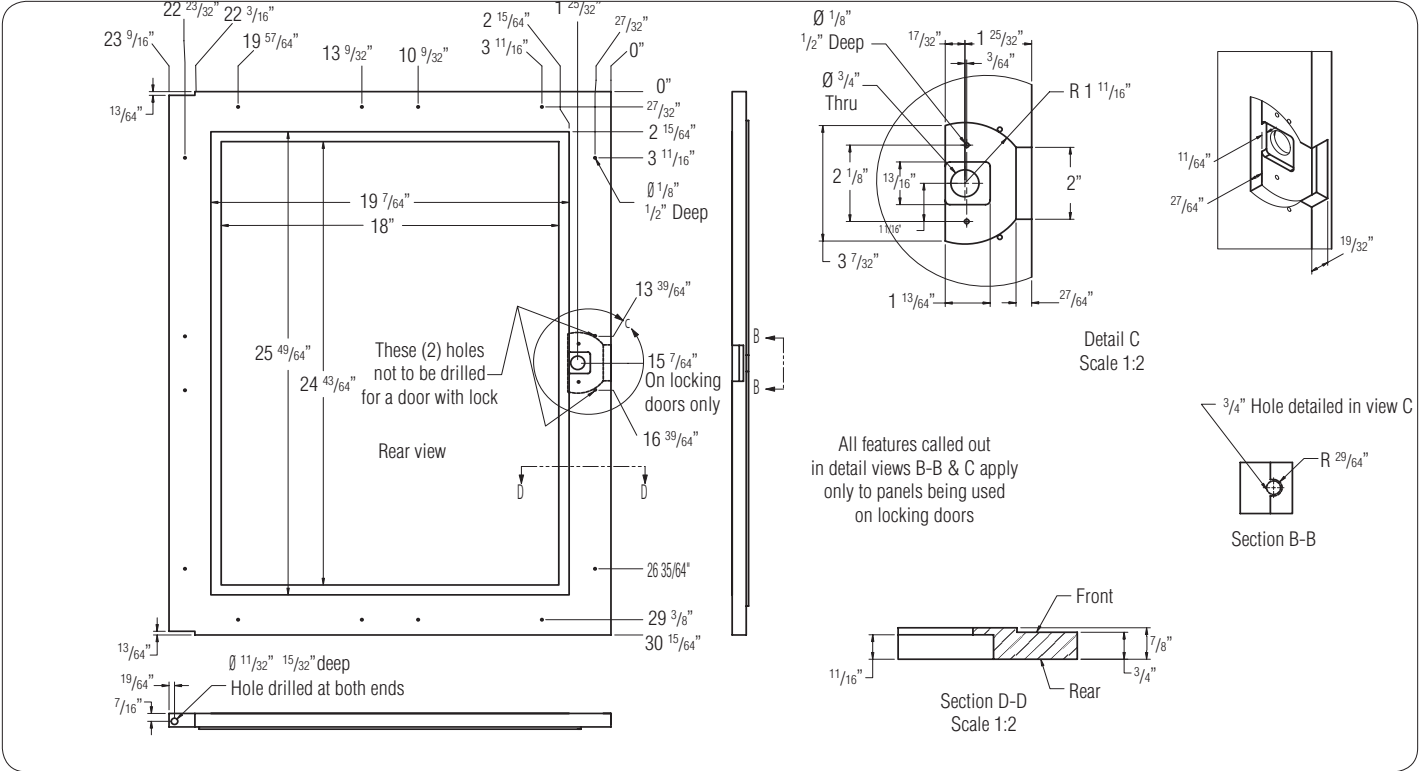


Figure 8. Glass Wood Overlay Panel

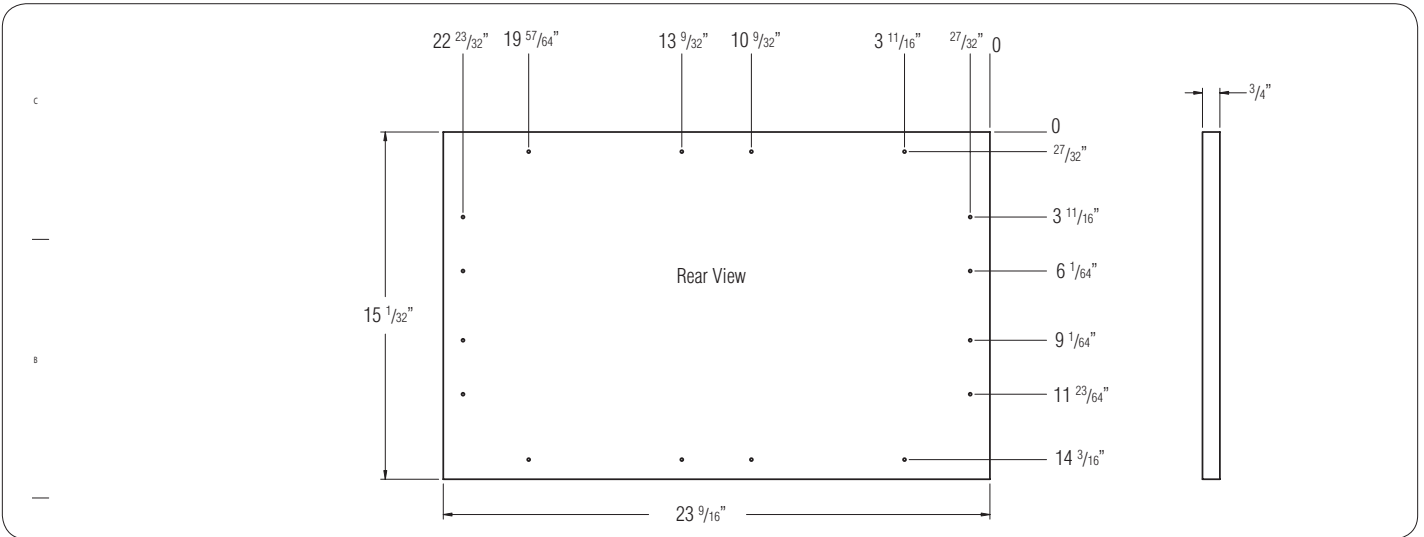


Figure 9. Drawer Solid Wood Overlay

WOODEN WINE RACK TRIM FINISHING

All wine racks come with a stainless steel face, which can be removed and replaced with wood faces to match the surrounding cabinetry. See Figure 10.

The optional unfinished faces can be finished and sealed. In many cases, stains and/or finishes have odors that may be objectionable in an enclosed area. To remove the front wood face from the wine shelf, simply pull out the wine shelf and remove the fasteners. Finish as desired and re-install with original fasteners.

OPERATION

General

The unit is equipped with a state-of-the-art refrigeration system. The variable speed compressor automatically changes speeds based on system conditions and load. The cabinet is equipped with an adjustable digital temperature controller and LED display.

The unit is a frost-free model. The evaporator coil automatically defrosts on demand at predetermined intervals.

Interior Light

The unit is equipped with an interior light that illuminates when the door is opened. A manual switch is located near the light for displaying the product through a glass door. Always ensure the manual switch is in the off position before closing a solid wood or stainless steel door. If manual switch is left on for an extended period of time, it may increase the cabinet

temperature, especially at the top and cause the refrigeration system to run longer.

Loading Product

IMPORTANT: Before storing perishables, allow unit to run for a minimum of 24 hours to allow temperature stabilization after start-up.

When loading items into unit, do not block internal louvers and fan guard openings or performance will be decreased.

Temperature Control Panel

The controller is located inside of the unit.

The display will read OFF when unit is off, and will show the temperature when unit is on.

IMPORTANT: The LED display reads actual air temperature, not product temperature. The following swings in temperature do not affect the actual product temperature:

Freezer:	10°F swing
Refrigerator & Beverage Center:	6°F swing
Wine Reserve:	4°F swing

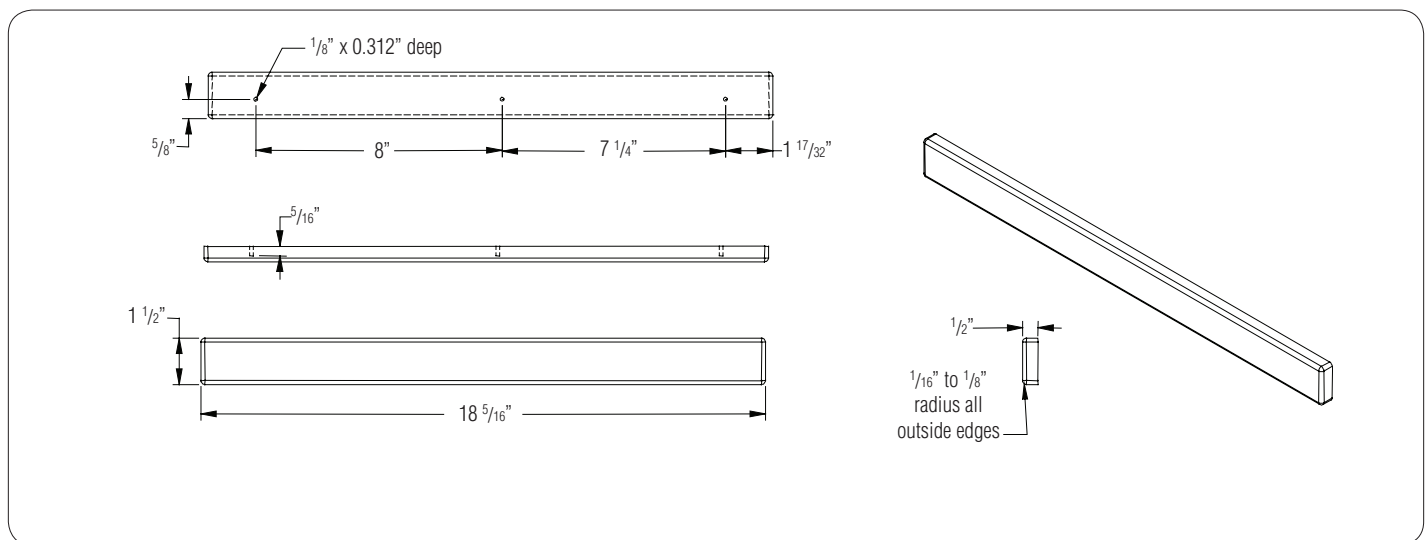


Figure 10. Wooden Wine Rack Trim



The control comes preset for the following product temperatures:

Freezer:	-3°F
Refrigerator:	38°F
Beverage Center:	44°F
Wine Reserve:	45°F

Adjusting the Setpoint

The setpoint is the desired temperature to be maintained in the unit.

To adjust the setpoint:

1. Press the SET button located on the control panel (Figure 11).
2. Press the UP or DOWN arrow keys to the desired temperature. The controller will memorize the new setpoint.

IMPORTANT: The controllers have been programmed to only allow a temperature adjustment within the following specific ranges:

Freezer:	Adjustable Range:	-10°F to 10°F
Refrigerator:	Adjustable Range:	33°F to 43°F
Wine Reserve:	Adjustable Range:	44°F to 68°F
Beverage Center:	Adjustable Range:	37°F to 48°F

Checking Product Temperature

To accurately check the temperature of the product stored in a refrigerated compartment, insert an accurate thermometer into a sealable plastic (non-breakable) bottle, partially filled with water. Tighten the cap securely.

Place the bottle into the desired area for 24 hours. Refrain from opening the unit during testing period. After 24 hours, check the temperature of the water. Adjust the control settings if necessary and re-test.

The units are pre-set to achieve the recommended temperature range when installed in a 70°F ambient environment. Factors which affect the internal temperatures of the cabinet include the following:

- Temperature setting
- Room temperature where installed
- Number of times the door/drawer is opened and closed
- Length of time door/drawer is left opened
- Adjacent compartment temperature
- Style of door installed

- Door gasket and sealing
- Amount of time internal light is illuminated
- Installation in direct sunlight or near a heat source

MAINTENANCE

WARNING

Shut off the electricity to the unit before cleaning the condenser and other routing maintenance.

Cleaning

To clean stainless steel exterior or interior surfaces, use a soft, non-abrasive stainless steel cleaner to wipe down the surfaces.

Glass doors can be cleaned using any standard glass cleaner available on the market.

To clean interior non-metallic surfaces and removable parts, wash with a mild solution of soap and lukewarm water with a little baking soda. Rinse and dry thoroughly. Avoid getting water on lights, control panel, fan motor, and unfinished wood wine rack faces.

CAUTION

Do not use abrasive cleaners or cloths on any of the interior or exterior surfaces or removable parts.

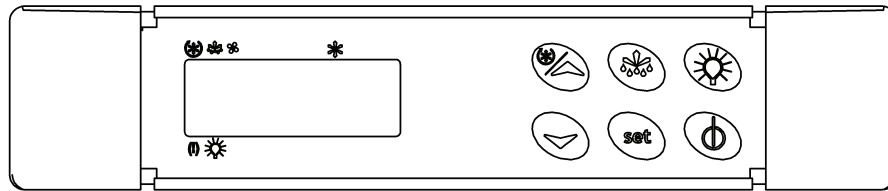
Cleaning the Condenser

The condenser should be cleaned every 3 months. The condenser is located behind the toe plate (Figure 6). Remove the toe plate and use a soft bristle brush and vacuum to remove dust and lint. Avoid damaging or crushing the condenser fins or tubing. Upon completion, re-install the toe plate.

CAUTION

Failure to clean the condenser could result in temperature loss or mechanical failure. Clean this area every three months.

63738
63699



Primary Key Functions

	Turns on/off the power to the unit		Displays maximum stored temperature, also used for navigating control codes and changing displayed values within the various menu options. Fast freezing cycle is started by holding button down for 3 seconds.
	Disabled		Displays and allows setpoint adjustment. Used to select a parameter or confirm an operation in programming mode. If held for 3 seconds while max or min temperature is displayed, it will erase that temperature from memory.
	Manually defrosts the unit by holding button down		
	Displays minimum stored temperature, also used for navigating control codes and changing displayed values within the various menu options		

LED Alerts

SYMBOL	STATUS	ALERT DEFINITION
	ON	The compressor is running
	FLASHING	Anti-short cycle delay enabled (Programming phase when flashing with)
	FLASHING	Programming phase
	ON	The defrost is enabled
	FLASHING	Drip time in progress
	ON	The fast-freezing cycle is enabled
	ON	Alarm signal: Contact Service Representative immediately
	ON	The light is on

Figure 11. Control Panel



TROUBLESHOOTING

If the unit appears to be malfunctioning, read through the OPERATION section first, then check the guide below to identify and resolve the problem.

DANGER

Electrocution hazard! Never attempt to repair or perform maintenance on the unit until the main electrical power has been disconnected.

No interior light

- Is the bulb loose?
- Is the bulb burned out?

Light stays on when the door is closed

- Manual ON/OFF light switch is turn on.
- Is the door switch making contact with the door?

Noisy during operation

- Certain sounds are normal. Soft sounds from the compressor, fan motor and valves will be heard.
- During freezer defrost, crackling is normal.

Control display is flashing "P1"

- There is a thermostat failure.

Control display is flashing "P2"

- There is an evaporator probe failure.

Control display is flashing "HA"

- The internal compartment temperature has exceeded the high temperature alarm preset value for over 30 minutes.
- Check to ensure door is closed.
- Check for door gasket seal.
- Was warm product just installed?
- Is the condenser clean?
- Is the louvered toe plate obstructed?
- Has the surrounding ambient temperature changed dramatically?
- Is the interior light on?

Control display flashing "LA"

- The internal compartment temperature has exceeded the high temperature alarm preset value for over 30 minutes.
- Check to ensure door is closed.
- Check for door gasket seal.
- Has the surrounding ambient temperature changed dramatically?

Control display flashing "EE"

- The controller has a data or memory failure.



The refrigerated cabinet isn't running

- Is there electrical power to the unit?
- Is the building circuit breaker or fuse on?
- Is the ON/OFF keypad on?
- Is the condenser area clean?

The refrigerated compartment is warmer than usual

- Is the control set properly?
- Is the light staying on?
- Is the condenser area clean and free of obstruction?
- Has the door been open for a long time or more frequent door openings occurred?
- Are the internal louvers and fan guard openings obstructed?

The refrigerated compartment is cooler than usual

- Is the control set properly?
- Is the door closing and sealing properly?

The refrigeration runs for long periods of time

- Is the condenser area clean and free of obstruction?
- Has the door been open for a long time or more frequent door openings occurred?
- Has warm product just been placed in the unit?
- On hot days and in warm room temperatures, the system will run longer.

Condensation forms inside the refrigerated compartments

- This is normal during high humidity and frequent door openings.
- Are the doors closing and sealing properly?

Condensation forms on the outside of the unit

- During periods of high humidity, some condensation might appear on the outside surface. The condensation will disappear when the humidity drops. Meanwhile, be sure doors are closing and sealing properly. If condensation persists, contact your Perlick Factory Authorized Service Center.

To obtain product information

- Contact your selling dealer.
- Inquire on the web at www.bringperlickhome.com.
- Call 800/558-5592 for factory assistance for information for planning, installation or product information.
- Write to Perlick Corporation, Customer Service Department, 8300 W. Good Hope Road, Milwaukee, WI 53223.
- E-mail us at warranty@perlick.com.

To obtain product service, replacement parts or accessories

- Use only genuine Perlick replacement parts and accessories. Genuine Perlick parts and accessories are designed to work correctly with Perlick products and offer superior service life. The use of non-Perlick parts can damage the unit and may void the warranty.
- Check the model and serial number of the unit located on the label attached to the inside top of the cabinet. Call a Perlick Factory Authorized Service Center. For the location of the nearest Service Center, contact your deal-



PERLICK HOME REFRIGERATION PRODUCTS LIMITED WARRANTY

ENTIRE PRODUCT- Full Two Year Warranty:

For two years from the date of original installation, Perlick Corporation's warranty covers all parts and labor to repair or replace any part of the product, which proves to be defective in material and workmanship.

Additional- Third Through Sixth Year Limited Parts Only Warranty:

During the four years following expiration of the Two Year Limited Warranty, Perlick will supply replacement parts only for the hermetically sealed refrigeration system which consist of the compressor, condenser, drier, connecting tubing, evaporator, and hot gas bypass valve.

TERMS:

The Perlick Warranty applies to products installed in the fifty United States, the District of Columbia or the ten provinces of Canada.

All service provided by Perlick Corporation under the above warranty must be performed by authorized Perlick service representatives, unless otherwise specified by Perlick.

Service will be provided in the home during normal business hours.

This warranty applies only to products installed for normal residential use, it does not include adjusting the controls, door reversal, light bulb or cleaning the condenser.

This warranty is extended only to the original purchaser of the Perlick product.

The above warranty does not apply if:

- Failure of product was due to transportation
- Product was: improperly installed, misused, abused, operating with low voltage, wiring not conforming electrical codes, improperly maintained or modified.
- The original Bill of Sale, delivery date or serial number cannot be verified.
- Defective parts are not returned for inspection if so required by the Perlick Corporation.

To receive parts and or service and the name of the nearest Perlick authorized service representative, contact your Perlick dealer, distributor or Perlick Corporation's Customer Service Department; 8300 West Good Hope Road, Milwaukee Wisconsin, 53223; call 800/777-7267, E-mail us at customerserv@perlick.com , or visit our web: www.perlick.com.

This limited warranty is in lieu of any other warranty, expressed or implied, including, but not limited to any implied warranty of merchantability or fitness for a particular purpose; provided however, that to the extent required by law, implied warranties are included but do not extend beyond the duration of the express warranty first set above. Perlick's sole liability and your exclusive remedy under this warranty are set forth in the initial paragraph above. Perlick Corporation shall have no liability whatsoever for any incidental, consequential or special damages arising from the sale, use or installation of the product or from any other causes whatsoever, whether based on warranty (expressed or implied) or otherwise based on contract, tort or any other theory of liability.

Some states do not allow limitations on how long an implied warranty lasts or the exclusion or limitation of incidental or consequential damages, so the above limitations may not apply to you. This warranty gives you specific legal rights, and you may also have other rights, which vary, from state to state.



NOTES



NOTES