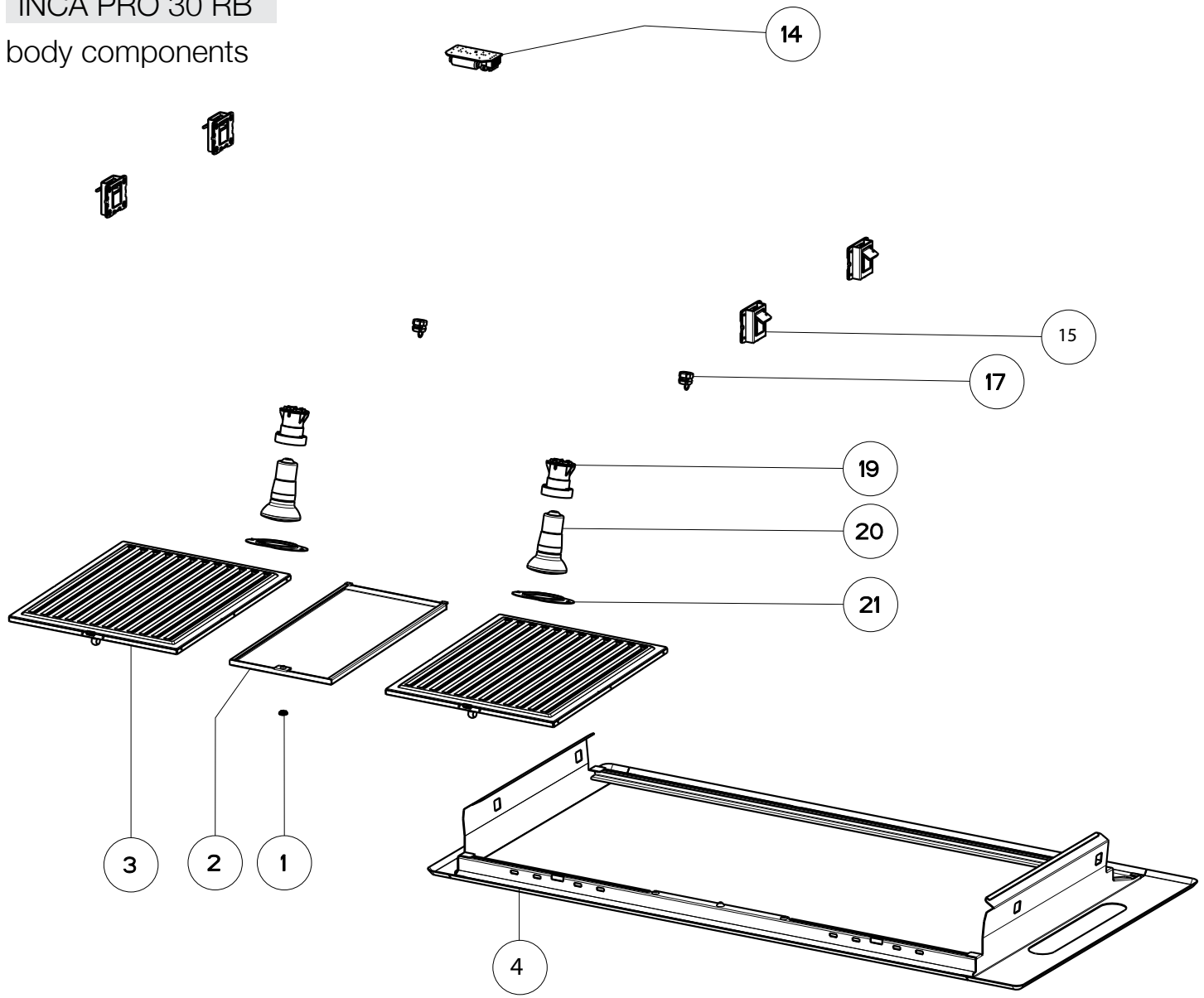


# INCA PRO 30 RB

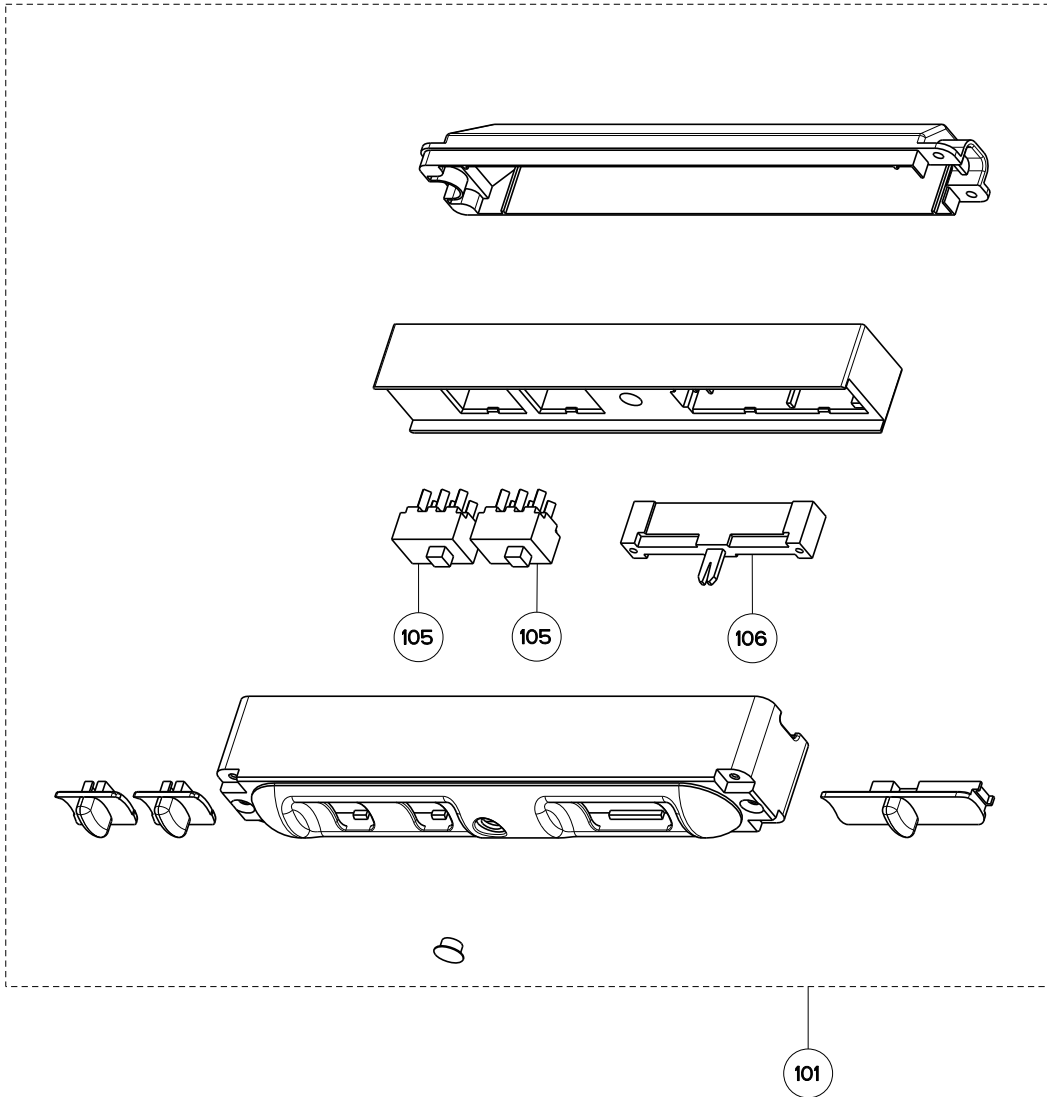
## body components



|     | Model Number              | 630003952    |          |
|-----|---------------------------|--------------|----------|
| Key | Description               | 30 Stainless | Qty Req. |
| 1   | Stopper                   | 133.0017.608 | 1        |
| 2   | Filter Spacer             | 133.0064.350 | 1        |
| 3   | Grease Filter             | 133.0018.482 | 2        |
| 4   | Grease Filter Support     | 133.0150.545 | 1        |
| 14  | Speed Control             | 133.0071.310 | 1        |
| 15  | Hinge Clip Kit (2 in kit) | 133.0078.993 | 2        |
| 17  | Wire Cable                | 133.0059.726 | 4        |
| 19  | Lampholder                | 133.0064.355 | 2        |
| 20  | Halogen Light             | 133.0064.354 | 2        |
| 21  | Bezel Kit (2 in kit)      | 133.0064.103 | 1        |

# INCA PRO 30 RB

## switch components



|     | Model Number                 | 630003952    |          |
|-----|------------------------------|--------------|----------|
| Key | Description                  | 30 Stainless | Qty Req. |
| 101 | Switch Kit                   | 133.0073.670 | 1        |
| 105 | On / off switches            | 133.0054.536 | 1        |
| 106 | Variable Speed Control Board | 133.0065.719 | 1        |