

Cristal 24 SS NEW! 280 cfm!

Integrated Collection

new undercabinet slide-out

- **stainless steel** slideout rangehood
- slim styling
- microswitch turns motor/lights on when pulled out
- closes flush with cabinets
- easily replaces existing hoods
- 24 inch width with **280 cfm**
- 2 - 20 watt halogen lights
- 3 speed control
- dishwasher safe grease filters
- convertible to recirculating
- top venting
- can replace SS strip with wood front
- built-in mounting system
- sone range: 3.5 - 6.5
- 6" round duct



FABER

ON AIR. SINCE 1955

For a streamlined look in the kitchen, the Cristal 24 is your integrated solution. The Cristal 24 has a sleek Stainless Steel pull-out visor which slides in, flush with your cabinets, neatly tucking the hood away. For total integration, the front strip can be replaced with material to match your cabinets, hiding the hood completely.



Size/Color/Model

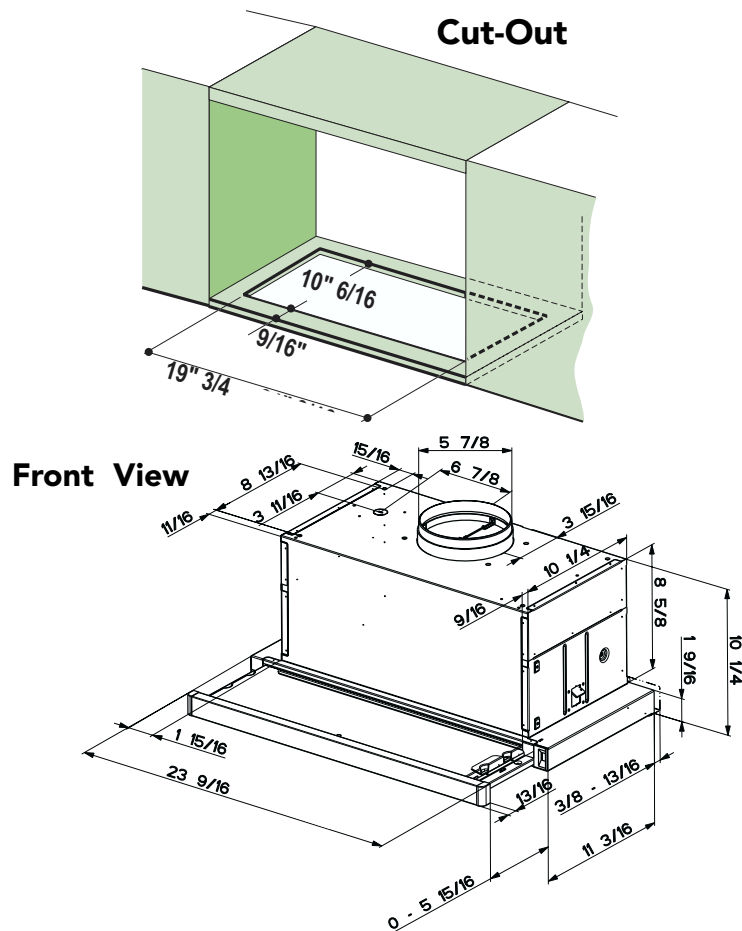
24 SS 110.0065.830

Charcoal Filters 6093034

For recirculating installations, high quality, heavy duty filters ensure the removal of smoke and odors from the kitchen. Some ductwork is required to exhaust the unit out of the cabinet.



Dimensional Diagrams



Pre-Planning Your Installation - Important: Consult the installation instructions before you begin installing this rangehood. The recommended height to install this hood off the cooktop is a minimum of 24" and a maximum of 30" for maximum effectiveness. Also consult the cooktop manufacturer's recommendation.

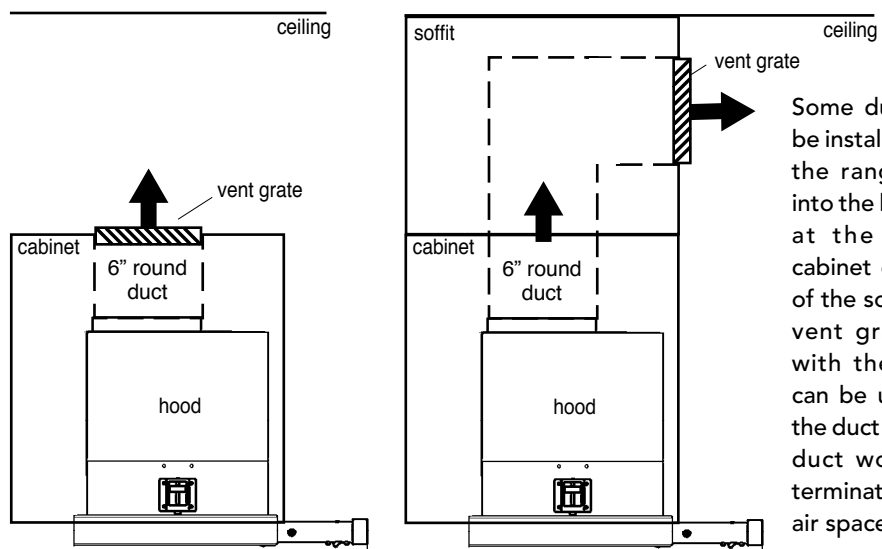
Pre-Planning Your Ductwork - Important: Consult the installation instructions before you begin installing this rangehood.

Make your ductrun as straight and short as possible. The ductrun should not exceed 35 equivalent feet if ducted with the required minimum of 6" round duct. Count 45° angles as 3 feet, 90° elbows as 5 feet, and 90° flat elbows as 12 feet.

For best results, use no more than three 90° elbows. Make sure that there is a minimum of 24" of straight duct between elbows if more than one is used. Do not install two elbows together. If you must elbow right away, do it as far away from the hood's exhaust opening as possible.

Recirculating Installations

For installations where ductwork to the outside of your home is impossible or highly impractical Charcoal Filters, which attach to the blower assembly, absorb smoke and odors.



Some ductwork must be installed to exhaust the rangehood back into the kitchen, either at the top of the cabinet or at the face of the soffit. A plastic vent grate supplied with the rangehood can be used to cover the duct opening. This duct work must not terminate into a dead air space.

WARNING! Product specifications are subject to change without notification. Consult the installation instructions before you begin installing this rangehood.