

# EHD & MHD Hoods

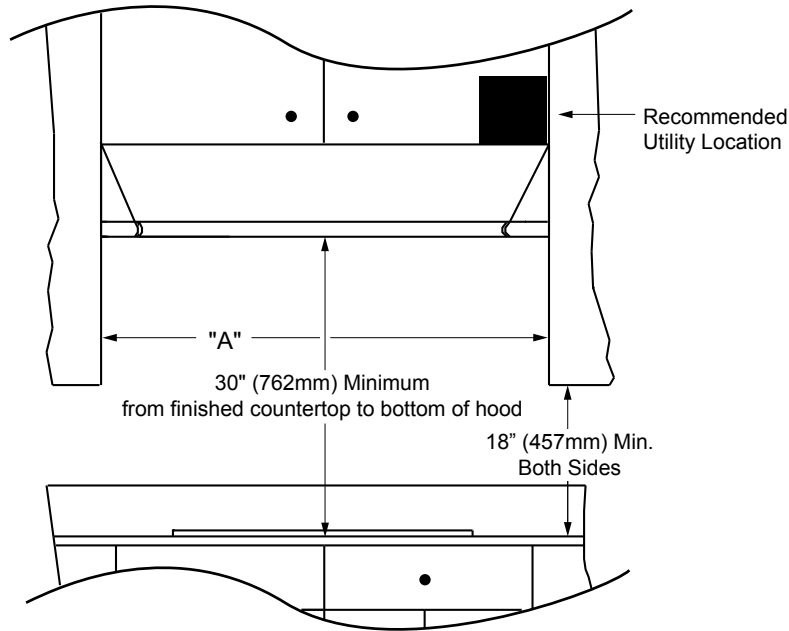


091805

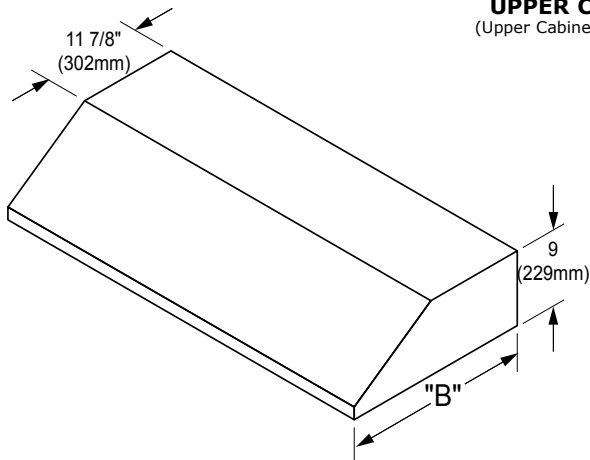
## 9" High Hoods

1/2

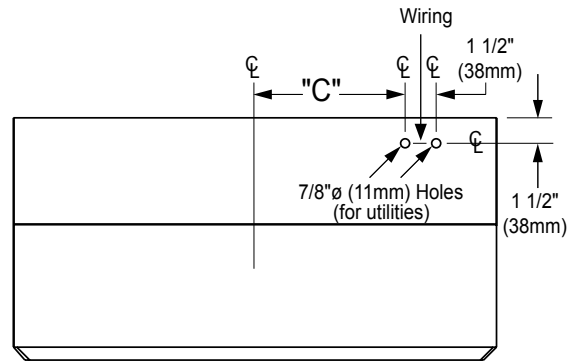
## PLANNING GUIDE



**UPPER CABINET DIMENSIONS**  
(Upper Cabinets 13" (330mm) Maximum Depth)



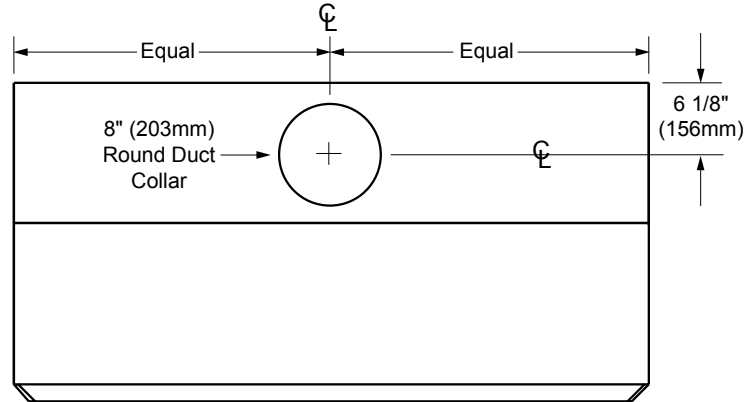
**OVERALL DIMENSIONS**



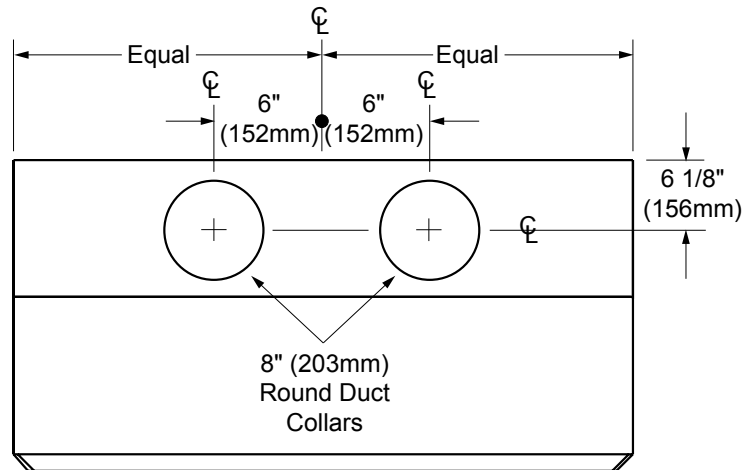
**HOOD TOP VIEW ELECTRICAL LOCATION**

| Model No. | "A" Cutout Width | "B" Overall Depth | "C" Conduit Location | Dedicated Circuit Required  | Total Connected Load | Approximate Shipping Weight |
|-----------|------------------|-------------------|----------------------|-----------------------------|----------------------|-----------------------------|
| EHD3009   | 30" (762mm)      | 24" (610mm)       | 9" (229mm)           | 120VAC, 60Hz, 15A (Breaker) | 1.4kW (12A)          | 67 lbs.                     |
| EHD3609   | 36" (915mm)      |                   | 8" (203mm)           |                             |                      | 68 lbs.                     |
| EHD4209   | 42" (1067mm)     |                   | 17" (432mm)          |                             |                      | 85 lbs.                     |
| EHD4809   | 48" (1219mm)     |                   | 14 7/16" (367mm)     |                             |                      | 92 lbs.                     |
| EHDR3009  | 30" (762mm)      |                   | 9" (229mm)           |                             |                      | 59 lbs.                     |
| EHDR3609  | 36" (915mm)      |                   | 8" (203mm)           |                             |                      | 64 lbs.                     |
| EHDR4209  | 42" (1067mm)     |                   | 17" (432mm)          |                             |                      | 86 lbs.                     |
| EHDR4809  | 48" (1219mm)     |                   | 14 7/16" (367mm)     |                             |                      | 80 lbs.                     |
| MHD3009   | 30" (762mm)      | 22 1/2" (571mm)   | 9" (229mm)           |                             |                      | 49 lbs.                     |
| MHD3609   | 36" (915mm)      |                   | 8" (203mm)           |                             |                      | 58 lbs.                     |
| MHD4809   | 48" (1219mm)     |                   | 14 7/16" (367mm)     | 100 lbs.                    |                      |                             |

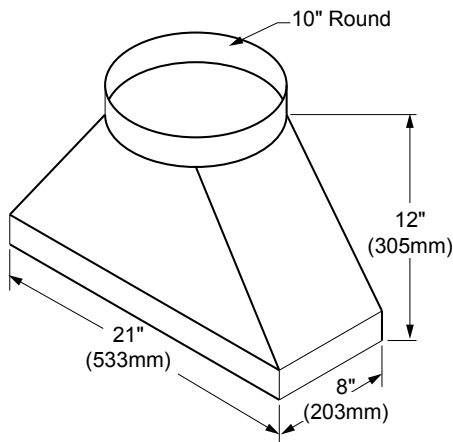
# EHD & MHD Hoods



**HOOD TOP VIEW  
EXHAUST LOCATION**  
(3009/3609 Models Only)



**HOOD TOP VIEW  
EXHAUST LOCATION**  
(4209/4809 Models Only)



**ATD10  
RECOMMENDED CUSTOM TRANSITION**  
(For use with 4209/4809 Models)



**NOTES:**

1. An Internal Blower is included with EHD/MHD models. Blower Ratings: 1200 CFM on EHD/MHD 48" and 42", 600CFM on EHD/MHD 36" and 30".
2. Remote Blower is required for EHDR models.

# EHD & MHD Hoods

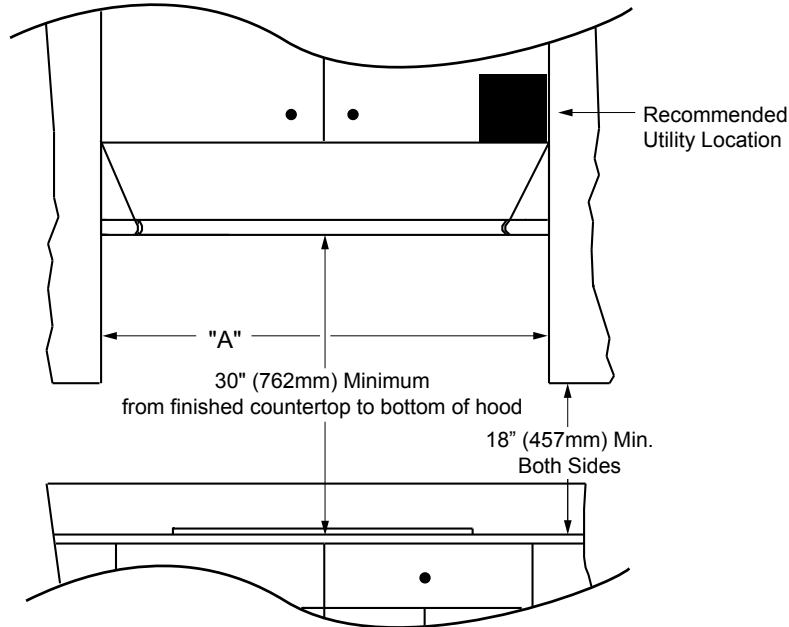


091805

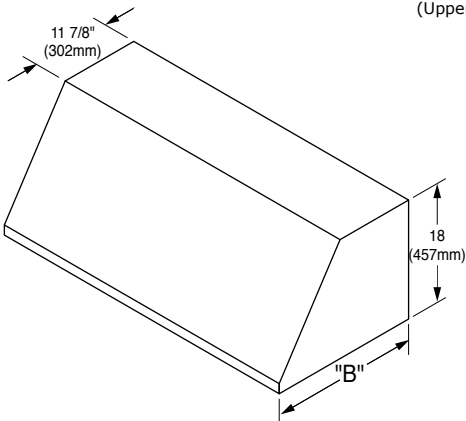
## 18" High Hoods

1/2

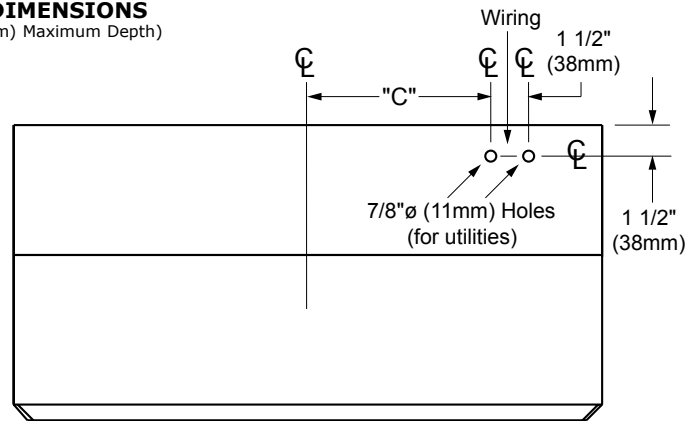
## PLANNING GUIDE



**UPPER CABINET DIMENSIONS**  
(Upper Cabinets 13" (330mm) Maximum Depth)



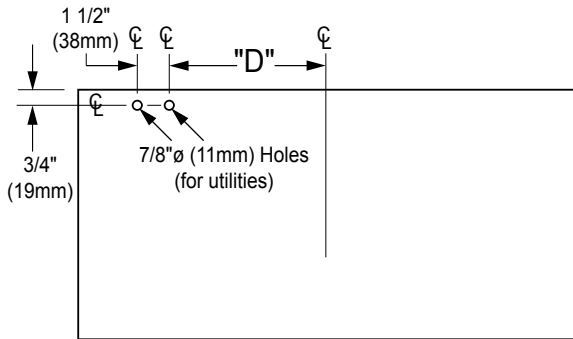
**OVERALL DIMENSIONS**



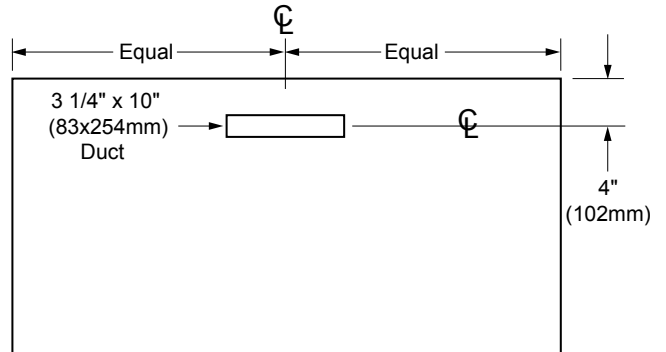
**HOOD TOP VIEW  
ELECTRICAL LOCATION**

| Model No. | "A" Cutout Width | "B" Overall Depth | "C" Conduit Location | Dedicated Circuit Required  | Total Connected Load | Approximate Shipping Weight |
|-----------|------------------|-------------------|----------------------|-----------------------------|----------------------|-----------------------------|
| EHD3018   | 30" (762mm)      | 26 7/8" (683mm)   | 9" (229mm)           | 120VAC, 60Hz, 15A (Breaker) | 1.4kW (12A)          | 98 lbs.                     |
| EHD3618   | 36" (915mm)      |                   | 8" (203mm)           |                             |                      | 102 lbs.                    |
| EHD4218   | 42" (1067mm)     |                   | 17" (432mm)          |                             |                      | 118 lbs.                    |
| EHD4818   | 48" (1219mm)     |                   | 14 7/16" (367mm)     |                             |                      | 128 lbs.                    |
| EHD5418   | 54" (1372mm)     |                   | 14 7/16" (367mm)     |                             |                      | 130 lbs.                    |
| EHDR3018  | 30" (762mm)      |                   | 9" (229mm)           |                             |                      | 95 lbs.                     |
| EHDR3618  | 36" (915mm)      |                   | 8" (203mm)           |                             |                      | 95 lbs.                     |
| EHDR4218  | 42" (1067mm)     |                   | 17" (432mm)          |                             |                      | 101 lbs.                    |
| EHDR4818  | 48" (1219mm)     |                   | 14 7/16" (367mm)     |                             |                      | 114 lbs.                    |
| EHDR5418  | 54" (1372mm)     |                   | 14 7/16" (367mm)     |                             |                      | 123 lbs.                    |
| MHD3018   | 30" (762mm)      |                   | 25 1/2" (648mm)      |                             |                      | 9" (229mm)                  |
| MHD3618   | 36" (915mm)      | 8" (203mm)        |                      | 60 lbs.                     |                      |                             |
| MHD4818   | 48" (1219mm)     | 14 7/16" (367mm)  |                      | 103 lbs.                    |                      |                             |

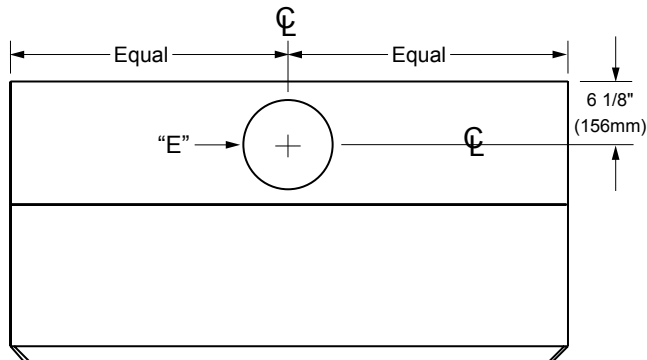
# EHD & MHD Hoods



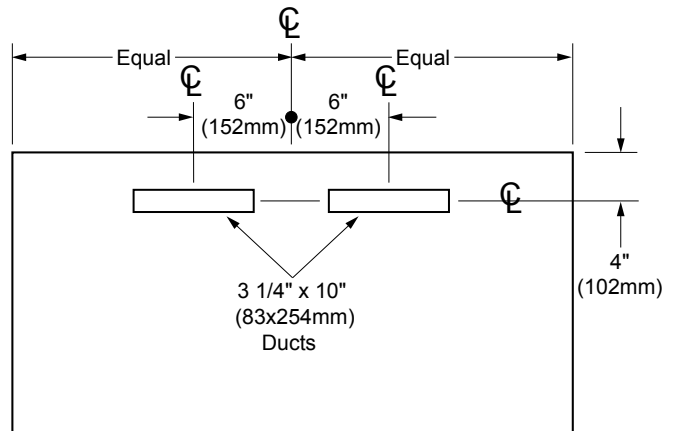
**HOOD REAR VIEW OPTION ELECTRICAL LOCATION**  
(3018/3618 Models Only)



**HOOD REAR VIEW HORIZONTAL EXHAUST DUCT LOCATION**  
(3018/3618 Models Only)



**HOOD TOP VIEW EXHAUST LOCATION**



**HOOD REAR VIEW HORIZONTAL EXHAUST DUCT LOCATION**  
(4218/4818/5418 Models Only)

| Model No. | "D" Conduit Location | "E" Duct Collar |
|-----------|----------------------|-----------------|
| EHD3018   | 9" (229mm)           | 8" (203mm)      |
| EHD3618   | 8" (203mm)           |                 |
| EHD4218   | 17" (432mm)          | 10" (254mm)     |
| EHD4818   | 14 7/16" (367mm)     |                 |
| EHD5418   | 14 7/16" (367mm)     |                 |
| EHDR3018  | 9" (229mm)           | 8" (203mm)      |
| EHDR3618  | 8" (203mm)           |                 |
| EHDR4218  | 17" (432mm)          | 10" (254mm)     |
| EHDR4818  | 14 7/16" (367mm)     |                 |
| EHDR5418  | 14 7/16" (367mm)     |                 |
| MHD3018   | 9" (229mm)           | 8" (203mm)      |
| MHD3618   | 8" (203mm)           |                 |
| MHD4818   | 14 7/16" (367mm)     | 10" (254mm)     |



**NOTES:**

- 1. An Internal Blower is included with EHD/MHD models. Blower Ratings: 1200 CFM on EHD/MHD 54", 48" and 42", 600CFM on EHD/MHD 36" and 30"**

- 2. Remote Blower is required for EHDR models.**