

Remote Speed & Light Controller

Model No's. ARSC/ARLC/ARSLC

Verify the Package Contents

- Panel with screws
- Switch
- Warranty Card
- Knob with cap



WARNING:

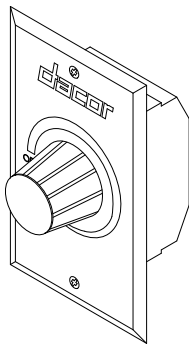
To reduce the risk of burns, electrical shock, fire or injury to persons:

1. Failure to disconnect electrical power may result in electrical shock.
2. Installation work and electrical wiring must be done by a qualified person(s) in accordance with all applicable codes and standards, including fire-rated construction.

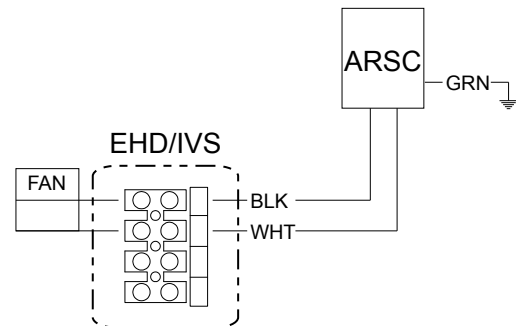


NOTES:

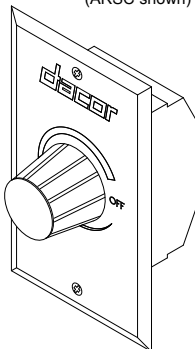
1. The Remote Speed Controller is to be used with the Dacor Hoods and Integrated Ventilation units.
2. A 2 1/2" deep wall box must be used to allow space for wire connections between the switch and the 120 volt power input leads.
3. Use wire nuts for making connections.



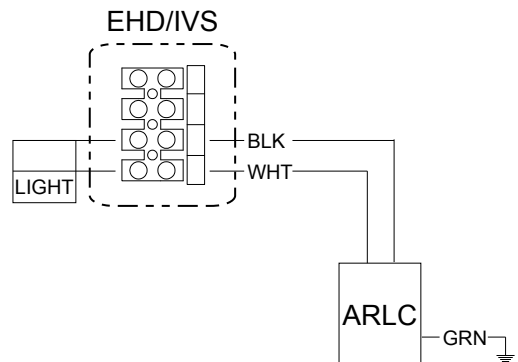
Isometric View
(ARSC shown)



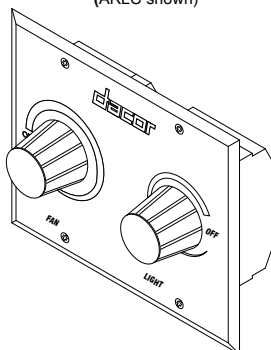
ARSC Wiring Diagram



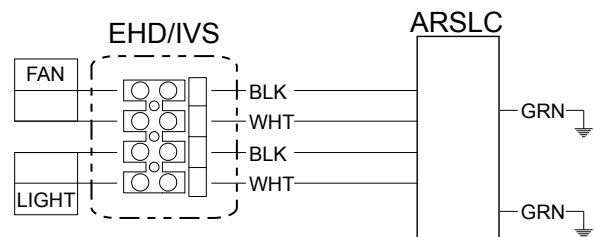
Isometric View
(ARLC shown)



ARLC Wiring Diagram



Isometric View
(ARSLC shown)



ARSLC Wiring Diagram