



Installation Instructions

Distinctive Wall Oven

For use with models DO130 and DO230

Table of Contents

Important Safety Instructions	1	Installation Instructions	6
Important Information About Safety Instructions	1	Verify the Package Contents	6
Safety Symbols and Labels	1	Remove the Oven Door(s)	6
General Safety Precautions	2	Electrical Connection	7
Product Specifications	3	Installing the Oven in the Cabinet	9
Product Dimensions	3	Reinstalling the Oven Door(s)	10
Installation Specifications	4	Verifying Proper Operation	10
Electrical Specifications	4	Installation Checklist	11
Installation Planning	4	Notes	12

Before You Begin...

Important:

- **Installer:** In the interest of safety and to minimize problems, read these installation instructions completely and carefully before you begin the installation process. Leave these installation instructions with the customer.
- **Customer:** Keep these installation instructions for future reference and the local electrical inspector's use.

Customer Service Information

If You Need Help...

If you have questions or problems with installation, contact your Dacor dealer or the Dacor Customer Service Team. For repairs to Dacor appliances under warranty call the Dacor Distinctive Service line. Whenever you call, have the model and serial number of the appliance ready. The model and serial number are printed on the product data label.

Dacor Customer Service

Phone: (800) 793-0093 (U.S.A. and Canada)
Monday — Friday 6:00 A.M. to 5:00 P.M. Pacific Time

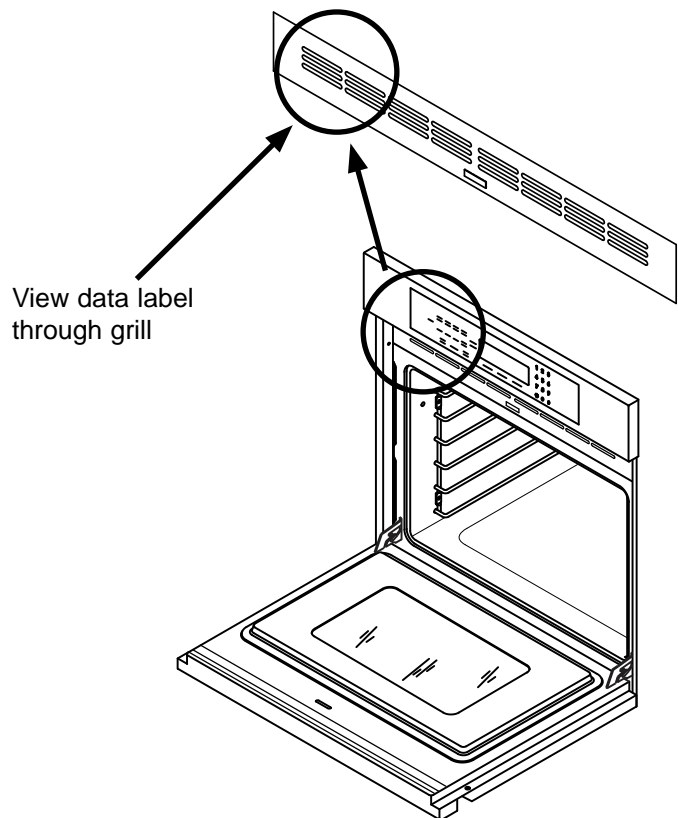
Web site: www.Dacor.com

Dacor Distinctive Service (repairs under warranty only)

Phone: (877) 337-3226 (U.S.A. and Canada)
Monday — Friday 6:00 A.M. to 4:00 P.M. Pacific Time

Product Data Label

- The product data label contains the model and serial number information and the electrical specifications.
- It can be seen through the grill located directly below the control panel. Open the door to expose the grill.



All specifications are subject to change without notice. Dacor® assumes no liability for changes to specifications.

Important Safety Instructions

Important Information About Safety Instructions

- The **Important Safety Instructions** and warnings in these instructions are not meant to cover all possible problems and conditions that can occur. Use common sense and caution when installing, maintaining or operating this or any other appliance.
- Always contact the Dacor Customer Service Team about problems and conditions that you don't understand. See **Customer Service Information**.

Safety Symbols and Labels

DANGER

Immediate hazards that **WILL** result in severe personal injury or death.

WARNING

Hazards or unsafe practices that **COULD** result in severe personal injury or death.

CAUTION

Hazards or unsafe practices that **COULD** result in minor personal injury or property damage.

DANGER

IMPORTANT: Do not store or use combustible, flammable or explosive vapors and liquids (such as gasoline) inside or in the vicinity of this or any other appliance. Also keep items that could explode, such as aerosol cans, away from the oven. Do not store flammable or explosive materials in adjacent cabinets or areas.

WARNING

WARNING – NEVER use this appliance as a space heater to heat or warm the room. Doing so may result in overheating of the appliance.

WARNING

WARNING – NEVER cover any slots, holes or passages in the oven bottom or cover an entire rack with materials such as aluminum foil. Doing so blocks air flow through the oven and may cause a fire hazard.

WARNING

Do not install this appliance outdoors and/or near water, for example, near a pool.

WARNING

When using the **BROIL** and **CONVECTION BROIL** settings, the oven door must be completely shut.

READ AND SAVE THESE INSTRUCTIONS

Important Safety Instructions

General Safety Precautions

To reduce the risk of fire, electric shock, serious injury or death when using your appliance, follow basic safety precautions, including the following:

WARNING

- Read the accompanying use and care manual before operating this appliance.
- Keep packaging materials away from children. Plastic sheets and bags can cause suffocation.
- If you receive a damaged product, immediately contact your dealer or builder. Do not install or use a damaged appliance. Do not install or use the appliance if the conduit is damaged.
- This oven must be properly installed and grounded by a qualified installer according to these installation instructions prior to use. The installer must show the customer the location of the circuit breaker panel or fuse box so that they know where and how to turn off electric power to the oven. Dacor is not responsible for service required to correct a faulty installation. The owner is responsible to make sure this appliance is properly installed.
- Do not use the door handle(s) to lift or move the oven.
- A minimum of two people are required to safely install this appliance.
- Do not install, repair or replace any part of the oven unless specifically recommended in the literature accompanying it. A qualified service technician should perform all other service.
- Before performing any type of service or installation, make sure that the electric power to the oven is turned off at the circuit breaker or fuse box.
- Only use the oven for cooking tasks expected of a home appliance as outlined in the literature accompanying it. This oven is not intended for commercial use.
- Do not climb on any part of the appliance.
- Do not leave children alone or unattended in the area around the oven. Do not allow children to play with the controls, pull on the handle(s) or touch other parts of the oven.
- Do not store items of interest to children above the oven. Children could be burned or injured while climbing on the appliance.
- Do not tamper with the controls. Do not adjust or alter any part of the oven unless specifically instructed to do so in this manual.
- To prevent injury due to the unit tipping forward, secure the oven to the cabinet using the supplied mounting screws.

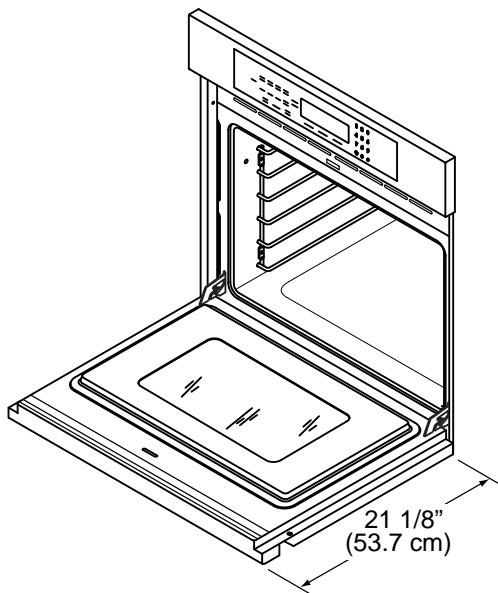
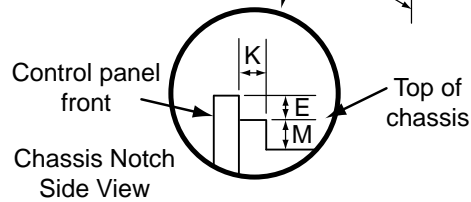
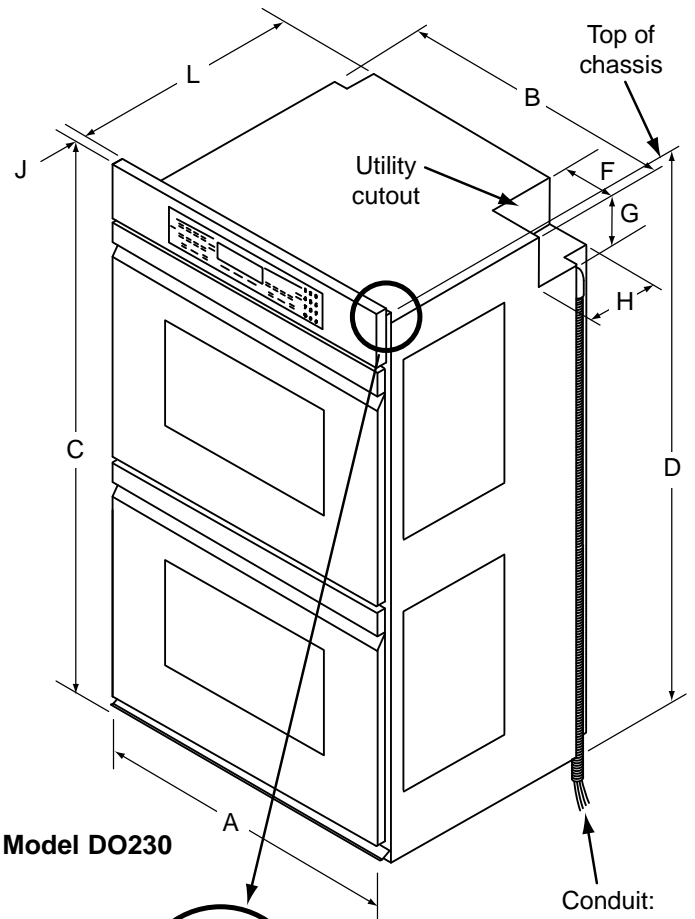
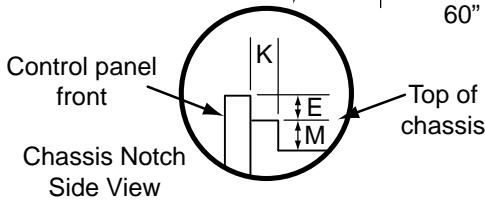
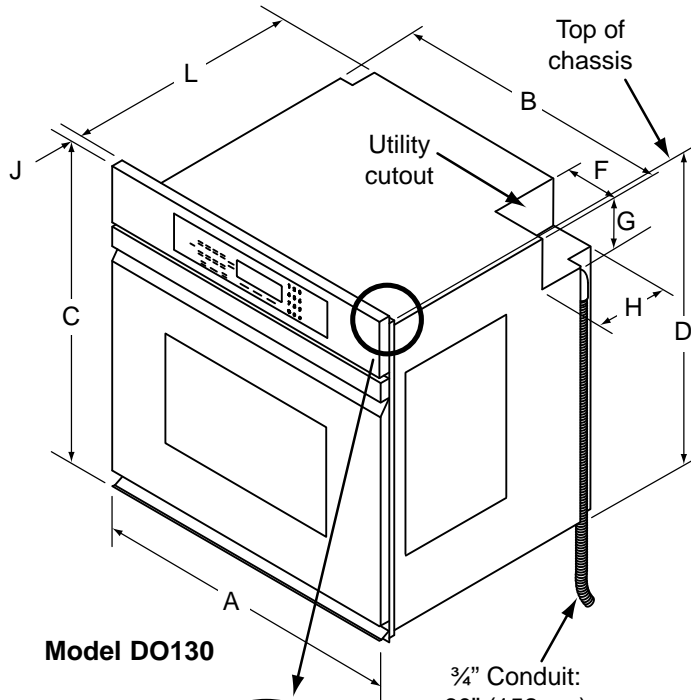
WARNING

- Keep flammable items, such as paper, cardboard, plastic and cloth away from hot surfaces. Do not put such items in the oven. Do not allow pot holders to touch hot surfaces.
- Do not wear loose or hanging apparel while using the oven. Do not allow clothing to come into contact with the interior of the oven and the surrounding areas during and immediately after use.
- Do not use the oven for storage.
- Do not touch the interior surfaces of the oven during use. After use, make sure these surfaces have had sufficient time to cool before touching them.
- Do not touch the outside surfaces of the oven during the self-clean cycle. They will be hot. Venting from the oven may cause the trim to become hot.
- For your safety, do not use the oven to cook without the convection filter installed. When the filter is not installed, the spinning fan blades at the back of the oven are exposed.
- Non-stick coatings, when heated, can be harmful to birds. Remove birds to a separate, well-ventilated room during cooking.
- To prevent damage, remove the meat probe from the oven when it is not being used.
- Do not line the oven with aluminum foil or other materials. These items can melt or burn up during self-cleaning and cause permanent damage to the oven.
- Do not leave objects that may melt at high temperature, such as aluminum foil or the meat probe, on the bottom of the oven.
- Do not allow heating elements in the top of the oven chamber to become covered up by cookie sheets, aluminum foil, pots, pans, etc. Covering the heating elements could cause them to over-heat, creating a fire hazard or damaging the oven.
- Always ensure that the light fixture lens covers are in place when using the oven. The lens covers protect the light bulbs from breakage caused by high oven temperatures or mechanical shock.

Product Specifications

Product Dimensions

All tolerances: $\pm 1/16$ (± 1.6 mm), unless otherwise stated.



Model	Overall Width (A)	Chassis Width (B)	Overall Height (C)	Chassis Height (D)*	Overlay (E)
DO130	29 3/4" (75.6 cm)	28 3/8" (72.1 cm)	28 7/16" (72.2 cm)	27 1/2" (69.9 cm)	15/16" (2.4 cm)
DO230			49 15/16" (126.8 cm)	49 1/16" (124.6 cm)	

* To top of chassis notch behind control panel

Utility Cutout Width (F)	Utility Cutout Height (G)	Utility Cutout Depth (H)	Control Panel Depth (J)	Notch Depth (K)	Chassis Depth (L)	Notch Height (M)
5" (12.7 cm)	5 1/4" (13.3 cm)	6" (15.2 cm)	1" (2.5 cm)	1 5/8" (4.1 cm)	24" (61.0 cm)	1" (2.5 cm)

Installation Specifications

Electrical Specifications

- It is the owner's responsibility to ensure that a licensed electrician performs the installation of the electrical supply for this appliance. The electrical installation, including minimum supply wire size, must comply with the National Electric Code ANSI/NFPA 70 (latest revision) and local codes and ordinances.

A copy of this standard may be obtained from:

National Fire Protection Association
1 Batterymarch Park
Quincy, Massachusetts 02269-9101

- The correct voltage, frequency and amperage must be supplied to the appliance from a dedicated, grounded, single phase circuit that is protected by a properly sized circuit breaker or time-delay fuse. If a time-delay fuse is utilized, fuse both sides of the line (L1 and L2).
- The required voltage, frequency and amperage ratings are listed on the product data label (see inside cover) and in the table below.
- Preheat times and cavity temperature recovery times will be increased slightly if operating the unit with less than a 240 Vac circuit.
- This appliance is provided with electrical wiring in a flexible metal conduit.

Model Number	Dedicated Circuit Requirements	Total Connected Load
DO130	240 Vac 60 Hz, 4 wire*, 30 Amp.	5.3 kW (23 Amp.)
DO230	240 Vac 60 Hz, 4 wire*, 40 Amp.	7.8 kW (33 Amp.)

* Two 120 Vac hot (L1 and L2), one neutral, one ground.

The above specifications are for reference only. See the product data label (see inside cover) for exact specifications.

Installation Planning

WARNING

Observe all governing codes and ordinances during planning and installation. Contact your local building department for further information.

IMPORTANT

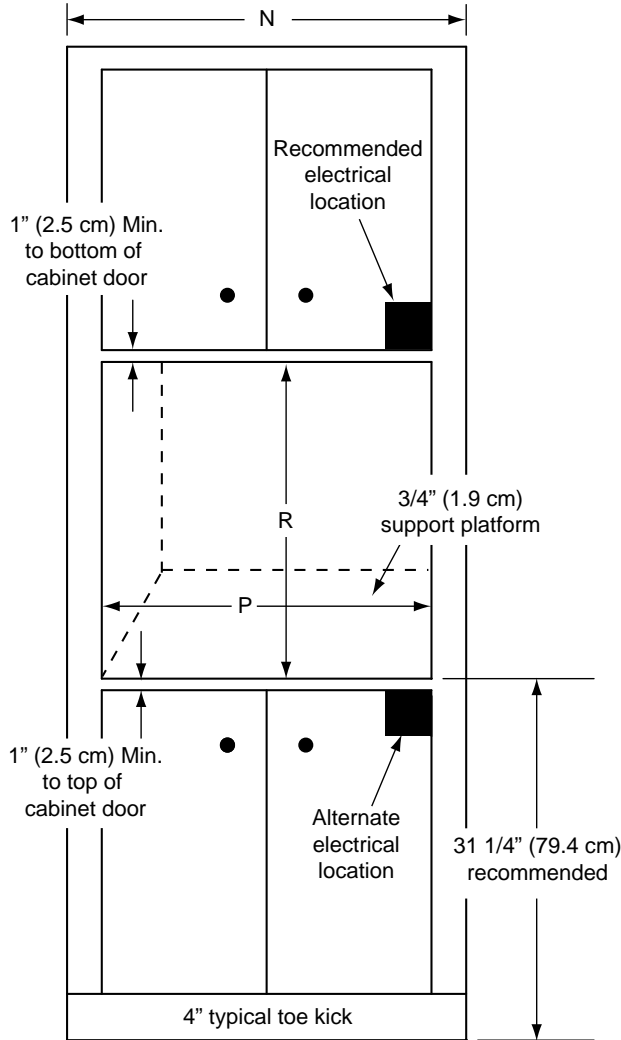
- Locate the junction box so that the oven may be easily disconnected in the event that it needs to be removed from the wall completely for service.
- If the oven is not installed level it may deliver poor or inconsistent baking results.
- A qualified technician must complete the installation of this built-in appliance. Proper installation is the responsibility of the customer.
- Carefully check the location where the oven is to be installed. The oven should be placed for convenient access. Make certain that electrical power, meeting the **Electrical Specifications**, can be provided in the selected location.
- Dacor recommends installing the electrical junction box in one of the locations shown.
- Install the junction box in a location that allows the oven to be removed from the the cutout for service without being disconnected.
- Plan the installation so that all minimum clearances are met or exceeded. Dimensions shown provide minimum clearances, unless otherwise noted. Be certain that proper clearance is provided for the oven door when it is in the open position according the **Product Dimensions**.
- The cabinet cutout dimensions must be used as indicated. The specified minimum cabinet depth and width must be provided. The cabinet depth and width must completely enclose the recessed portion of the oven.
- All contact surfaces between the appliance and the cabinet must be solid and level.
- Provide a platform within the cabinet to support the oven. It must be installed straight and level, and must be 24" (61.0 cm) deep. The top edge of the platform must be flush with the cutout at the front of the cabinet. There are no provisions to level the oven after it has been installed. 3/4" (1.9 cm) thick plywood is recommended.

Installation Specifications

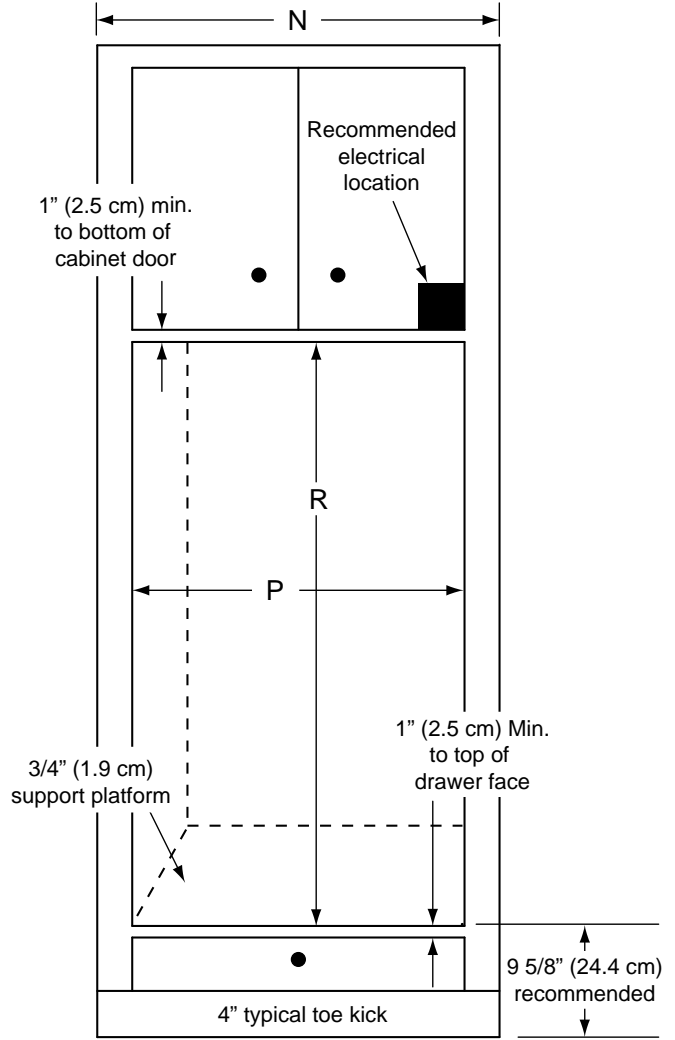
Cabinet tolerances: +1/16 (1.6 mm), -0, unless otherwise stated.

Min. interior cabinet depth: 24" (61.0 cm)

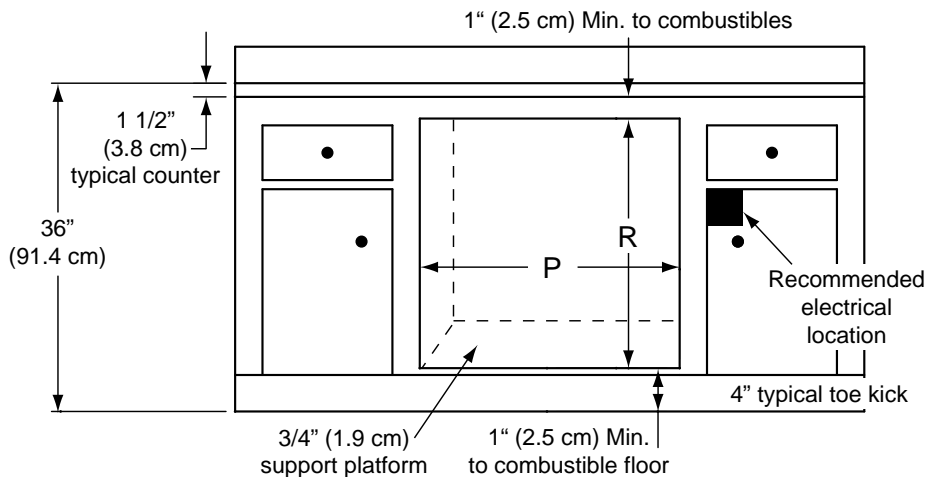
Model Number	Min. Cabinet Width (N)	Min. Cutout Width (P)	Min. Cutout Height (R)
DO130	30" (76.2 cm)	28 1/2" (72.4 cm)	27 5/8" (70.2 cm)
DO230			49 1/8" (124.8 cm)



Single Oven Cabinet Cutout Dimensions



Double Oven Cabinet Cutout Dimensions



Cutout Dimensions - Single Oven Installed Under Counter

Installation Instructions

Verify the Package Contents

Verify that all the components below have been provided. If any item is missing or damaged, please contact your dealer immediately. Do not install a damaged or incomplete appliance. Make sure that you have everything necessary to ensure proper installation before proceeding.

- Product literature
- Mounting screws (wood, #6 X ¾, Dacor PN 83331)
4 for single ovens, 6 for double ovens
- Oven racks, 3 for single ovens, 6 for double ovens
- Meat probe

Remove the Oven Door(s)

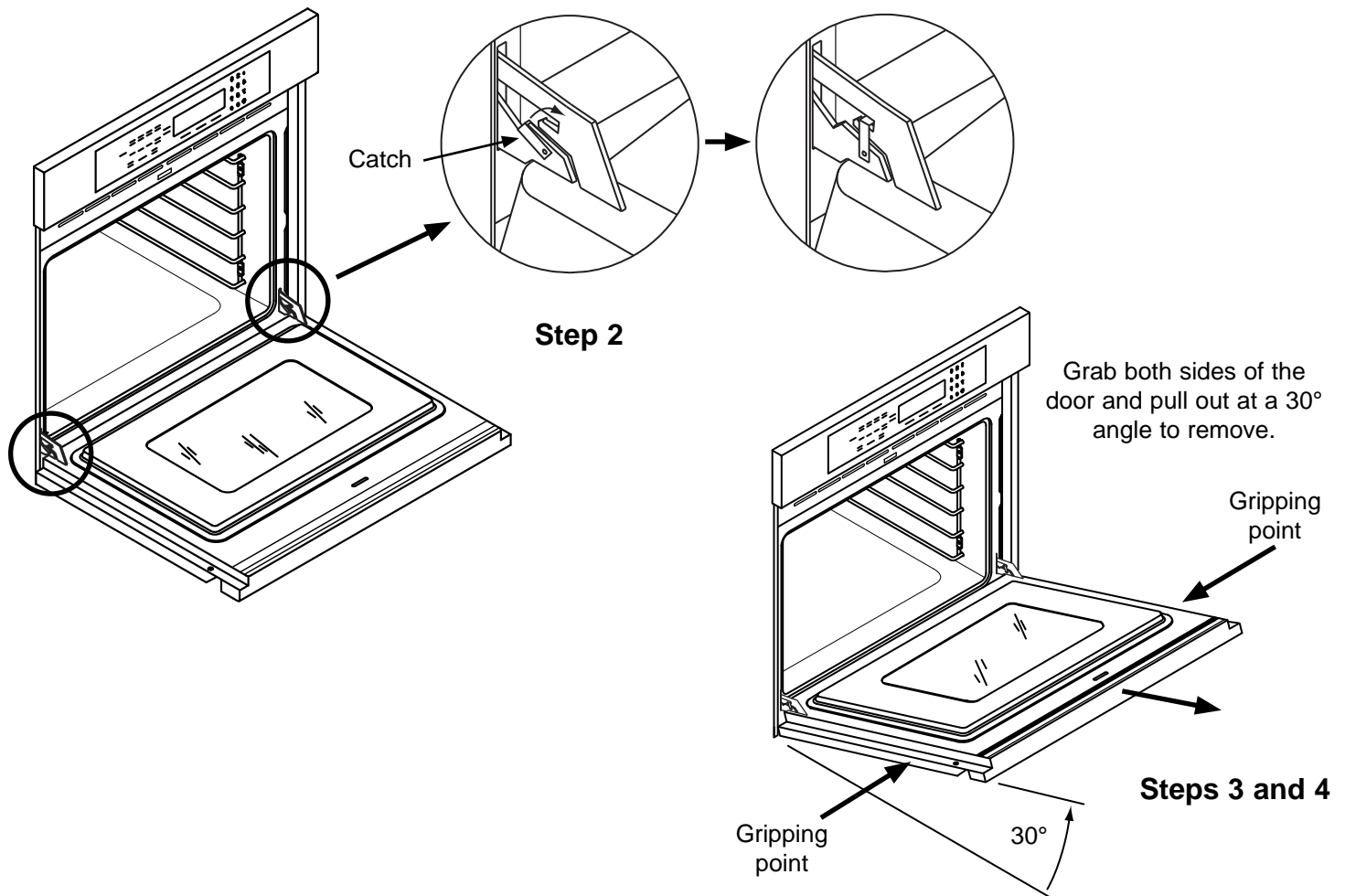
Remove the door(s) to reduce weight and make the oven easier to lift:

WARNING

- Do not attempt to disengage the hinge catches with the door(s) removed from the oven. The hinge springs could release, causing personal injury.
- Do not lift or carry the oven door(s) by the handle.
- On double ovens, remove the lower door first to avoid damage.

To Remove the Oven Door(s):

1. Open the door to its fully opened position.
2. Rotate the catch over the retaining arm on both hinges.
3. Lift the oven door to about a 30° angle from the horizontal.
4. Pull the door away from the oven while continuing to lift.



Installation Instructions

Electrical Connection

WARNING

- If the electrical service provided does not meet the **Electrical Specifications** (see page 4), do not proceed with the installation. Call a licensed electrician to correctly install the required wiring.
- Failure to disconnect power prior to installation may result in an electrical shock or fire hazard.
- Do not turn on power to the appliance until the oven is properly grounded according to these instructions.
- The installer must connect the ground terminal (or lead) on the appliance to a grounded, metallic, permanent wiring system or grounding conductor. Failure to do so may result in an electric shock hazard.
- Do not install a fuse in the neutral or ground circuit. A fuse in the neutral or ground circuit may result in an electric shock hazard.
- The appliance must be connected to the power supply with copper wire only. The use of aluminum wire may result in unsatisfactory conditions.

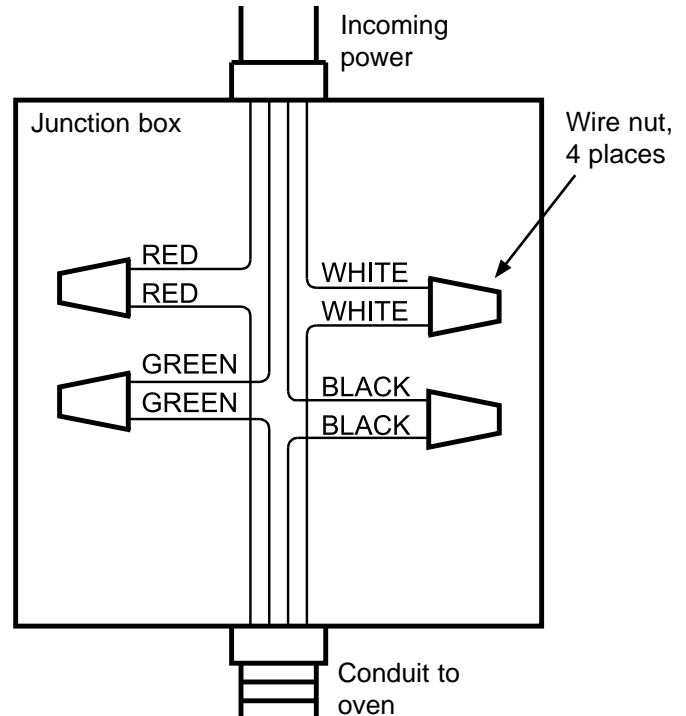


IMPORTANT

- Provide slack in the conduit to allow the oven to slide forward for servicing.
 - The electrical connection leads from the supplied appliance conduit may be a smaller gage than the standard household wiring of the dedicated supply circuit. They are suitable for connection to household wiring under the jurisdiction of the National Electric Code, and/or the local inspection authority.
1. Before proceeding, turn off power to the junction box at the circuit breaker panel or fuse box.
 2. Position the oven directly in front of the cabinet cutout.
 3. Feed the appliance conduit into the electrical junction box and attach it using a UL approved strain relief.
 4. Depending upon local codes, utilize one of three methods to connect the appliance to the electrical power:
 - ◇ Connect to a 4-wire electrical system
 - ◇ Connect to a 3-wire electrical system with external ground, according to local codes.
 - ◇ Connect to a 3-wire electrical system, where local codes permit

Connecting to a 4-Wire Electrical System

1. Separate the wires coming out of the appliance conduit.
2. Connect the white wire from the appliance conduit to the white (neutral) supply wire in the junction box.
3. Connect the black wire from the appliance conduit to the black (L1) supply wire in the junction box.
4. Connect the red wire from the appliance conduit to the red (L2) supply wire in the junction box.
5. Connect the green wire from the appliance conduit to the green (ground) wire in the junction box.



Installation Instructions

Connecting to a 3-Wire Electrical System with External Ground

WARNING

- Do not ground the appliance to a gas supply pipe or hot water pipe.
- Do not connect the green appliance conduit wire to an external ground unless local building codes permit.
- If connecting the ground wire to a grounded cold water pipe, connect using a separate copper grounding wire (No. 10 minimum) and a clamp with an external grounding screw. The grounded cold water pipe must have metal continuity to electrical ground and must not be interrupted by insulating materials. See diagrams.

NOTE

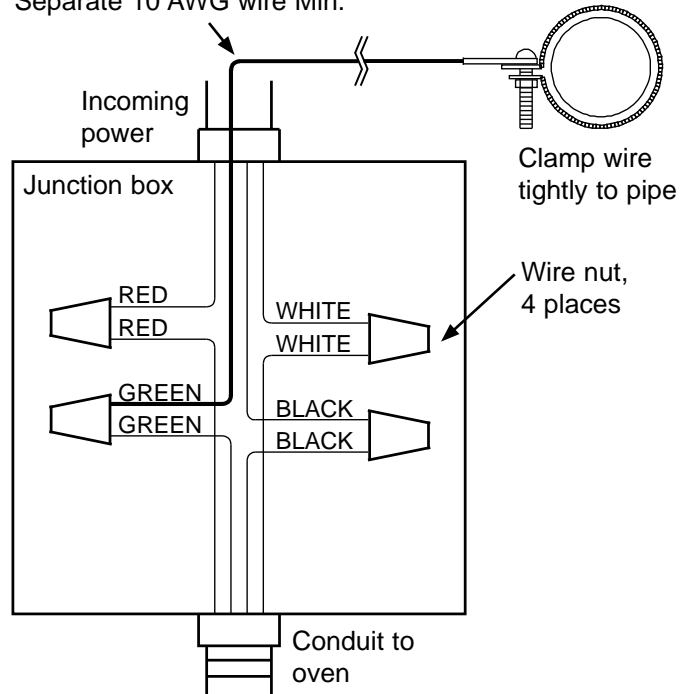
If the junction box has been properly grounded by a licensed electrician, the appliance green (ground) wire may be connected to the junction box using a loop terminal.

To connect the green appliance conduit wire to a grounded cold water pipe:

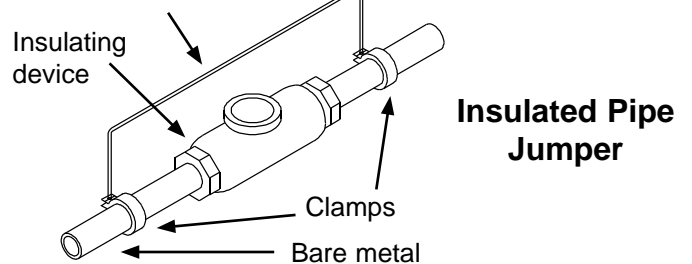
1. Separate the wires coming out of the appliance conduit.
2. Connect the white wire from the appliance conduit to the white (neutral) supply wire in the junction box.
3. Connect the black wire from the appliance conduit to the black (L1) supply wire in the junction box.
4. Connect the red wire from the appliance conduit to the red (L2) supply wire in the junction box.
5. Connect the green wire from the appliance conduit to a grounded cold water pipe as shown.

6. Jumper any insulating materials as shown at below with a length of No. 4 copper wire. Securely clamp the wire to bare metal at both ends.

Separate 10 AWG wire Min.



4 AWG wire Min.

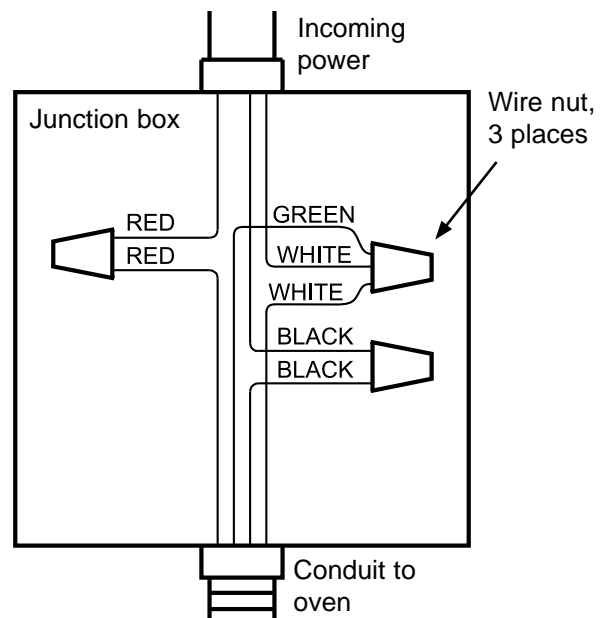


Connecting to a 3-Wire Electrical System

WARNING

Do not connect the green appliance conduit wire to the neutral (white) junction box wire unless local building codes permit.

1. Separate the wires coming out of the appliance conduit.
2. Connect the green and white wires from the appliance conduit to the white (neutral) supply wire in the junction box.
3. Connect the black wire from the appliance conduit to the black (L1) supply wire in the junction box.
4. Connect the red wire from the appliance conduit to the red (L2) supply wire in the junction box.



Installation Instructions

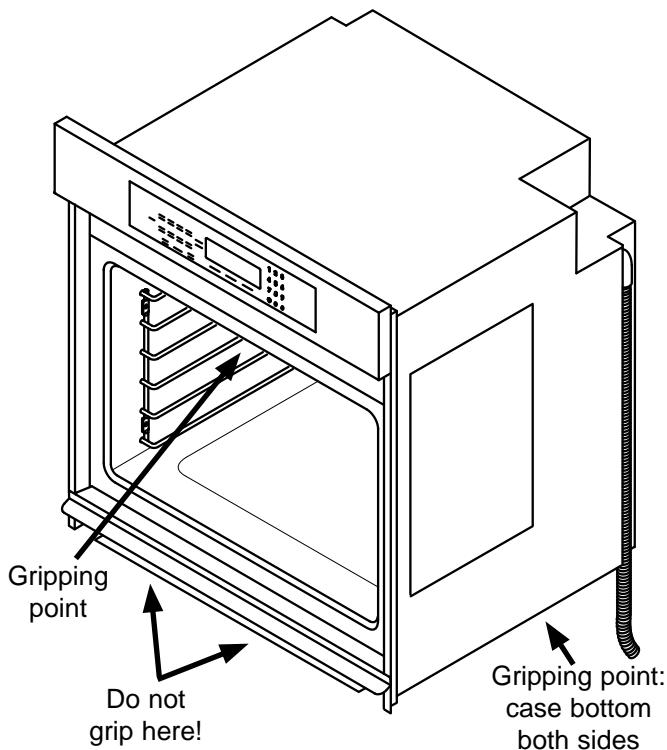
Installing the Oven in the Cabinet



WARNING

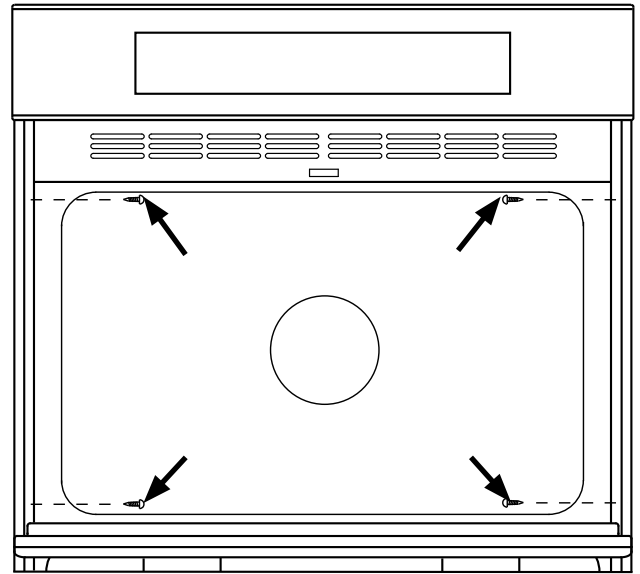
- Failure to properly install the mounting screws may result in movement or tipping of the oven during use resulting in personal injury.
- Do not block the oven air exhaust located at the bottom of the oven. Blocking the intake may result in a fire hazard, cabinet damage or poor performance.
- The wall oven is heavy. Do not attempt to install it in the cabinet with less than two people.
- Do not use the exhaust grill or the bottom edge of the oven opening as a gripping point. Damage to the exhaust grill may result.

1. Lift the wall oven up to the cabinet cutout, using the upper edge of the cavity opening and the bottom of the oven case side as gripping points. Be certain to take all necessary safety precautions due to the weight of the appliance.



2. Resting the oven on the cabinet mounting platform, slide the oven into the recessed area until the rear edge of the oven frame is flush with the cabinet face and the oven is centered within the cutout. Ensure that the electrical conduit slides through the opening in the cabinet platform or coils above the oven chassis as the oven is slid into place. The cable must be placed into the recessed area located along the rear vertical edge of the oven or coiled above the oven chassis. Do not trap the appliance cable between the oven case back and the rear wall.

3. Locate the mounting holes in the trim on both sides of the oven.
 - ◇ For single ovens there are 4 holes, 2 on each side.
 - ◇ For double ovens there are 6 holes, 3 on each side.
4. Use a 1/16" drill bit to drill pilot holes in the cabinet through all of the trim mounting holes.
5. Install all of the provided #6 screws through the oven trim into the cabinet to secure the oven. Do not over-tighten the screws.



Mounting Screw Locations

Installation Instructions

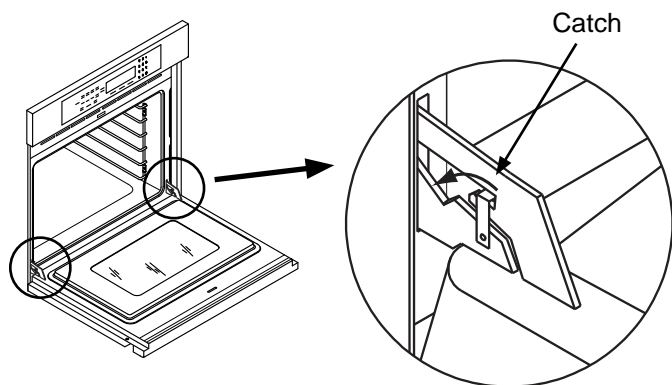
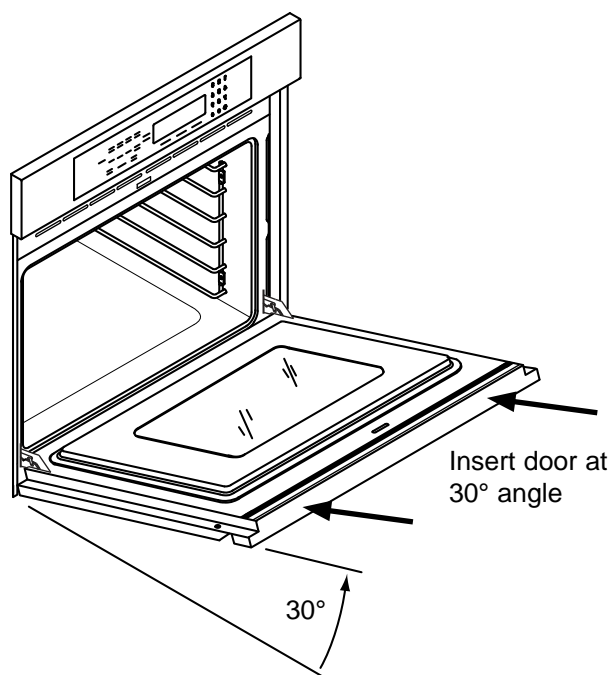
Reinstalling the Oven Door(s)



WARNING

- Failure to fully rotate the hinge catches will result in a safety hazard and may cause personal injury due to the door falling off its hinges. Also damage to the oven and/or improper door alignment may occur.
- On double ovens, install the upper door first to avoid damage.

1. Grasp the oven door on opposite sides and lift it until the door hinges are aligned with the openings in the oven frame.
2. Holding the door at about a 30° angle from the horizontal, slide the hinges into the openings until the bottom hinge arms drop fully into the hinge receptacles.
3. Lower the door to the fully opened position. Rotate both hinge catches toward the oven. Open and close the door slowly and completely to ensure that it is properly installed.



Verifying Proper Operation

1. Peel off the protective layer of plastic that covers the stainless steel surfaces.
2. Remove any packaging from inside the oven.
3. Slide the oven racks onto the supports inside the oven chamber according to the use and care manual.
4. Turn on power to the oven at the circuit breaker or fuse box.
5. Set the clock according to the use and care manual.
6. Press the **BAKE** key on the control panel (on double ovens press the **BAKE** key for the upper oven). The default bake temperature should appear on the display.
7. Press **START**. After approximately 3 minutes, the oven should begin to heat.
8. Press **CANCEL/SECURE**.
9. If the oven does not operate properly, follow these troubleshooting steps:
 - ◇ Verify that power is being supplied to the oven.
 - ◇ If power is being properly supplied, turn off power at the circuit breaker or fuse box and check the electrical connections.
 - ◇ Turn on power and repeat the above heating test.
 - ◇ If the appliance still does not work, contact Dacor Distinctive Service at (877) 337-3226. Do not attempt to repair the appliance yourself. If you need service, be sure to have the model and serial numbers available when you call. See inside cover for location.

Dacor is not responsible for the cost of correcting problems caused by a faulty installation.

Installation Instructions

Installation Checklist



WARNING

To ensure proper installation, the installer must complete the checklist below to make sure that no part of the installation has been overlooked.

- Is the oven mounted on a level platform? See page 5.
- Is the oven wired and grounded according to these instructions and in accordance with all applicable electrical codes? See pages 4 and 7 through 8.
- Is the oven secured into the cabinet with all four (4) mounting screws ? See page 9.
- Is/are the oven door(s) properly installed according to these instructions. See page 10.
- Has proper operation been verified?
- Has the warranty been activated on-line or the warranty card been filled out completely and mailed?

Notes

dacor[®]
The Life of the Kitchen.[®]

