

DO



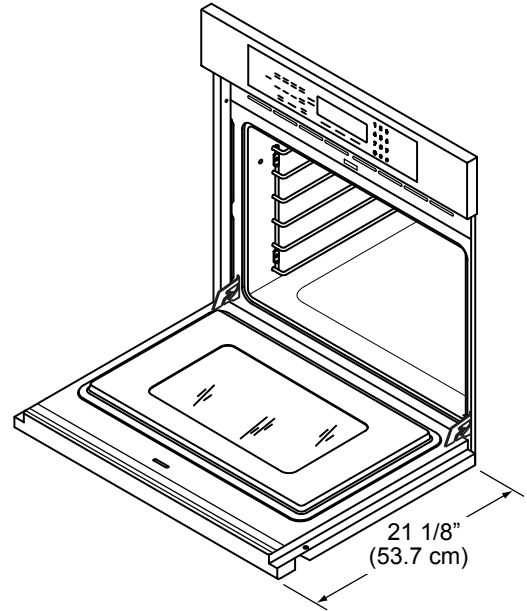
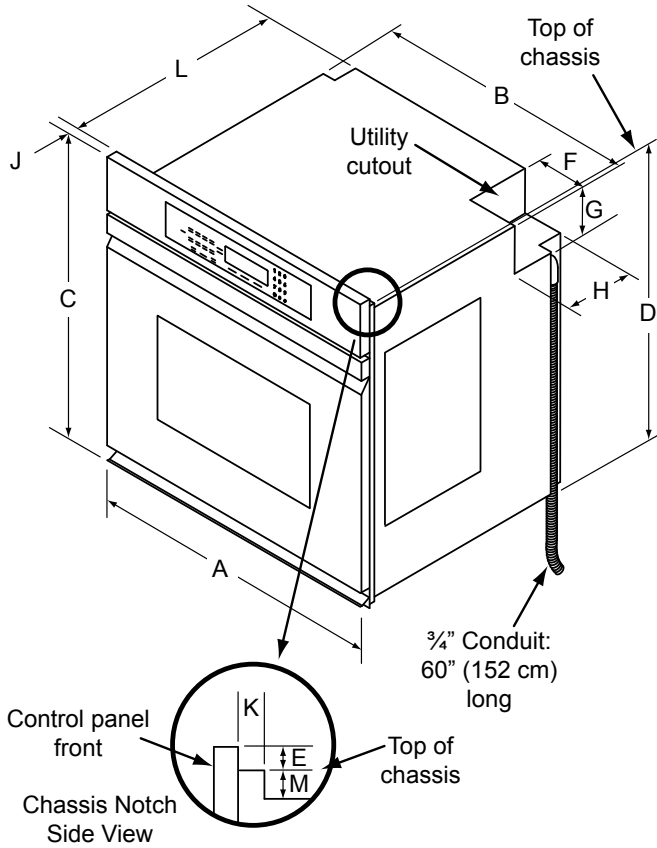
Single, Distinctive Wall Oven

PLANNING GUIDE

Product tolerances: $\pm 1/16"$ (± 1.6 mm) unless otherwise stated

⚠ WARNING

- Observe all governing codes and ordinances during planning and installation. Contact your local building department for further information.
- This appliance must be installed in accordance with the accompanying installation instructions.



(A) Overall Width	(B) Chassis Width	(C) Overall Height	(D)* Chassis Height	(E) Control Panel Overlay
29 3/4" (75.6 cm)	28 3/8" (72.1 cm)	28 7/16" (72.4 cm)	27 1/2" (69.9 cm)	15/16" (2.4 cm)

* To top of chassis notch behind control panel

(F) Utility Cutout Width	(G) Utility Cutout Height	(H) Utility Cutout Depth	(J) Control Panel Depth	(K) Notch Depth	(L) Chassis Depth	(M) Notch Height
5" (12.7 cm)	5 1/4" (13.3 cm)	6" (15.2 cm)	1" (2.5 cm)	1 5/8" (4.1 cm)	24" (61.0 cm)	1" (2.5 cm)

Model Number	Dedicated Circuit Requirements	Total Connected Load
DO130	240 Vac 60 Hz., 4-wire,** 30 Amp.	5.3 kW (23 Amp.)

** Two 120 Vac hot (L1 and L2), one neutral, one ground

The above specifications are for reference only. See the appliance data plate for exact specifications.



Specifications subject to change without notice.

Install all appliances according to accompanying installation instructions.

www.Dacor.com

Phone: (800) 793-0093

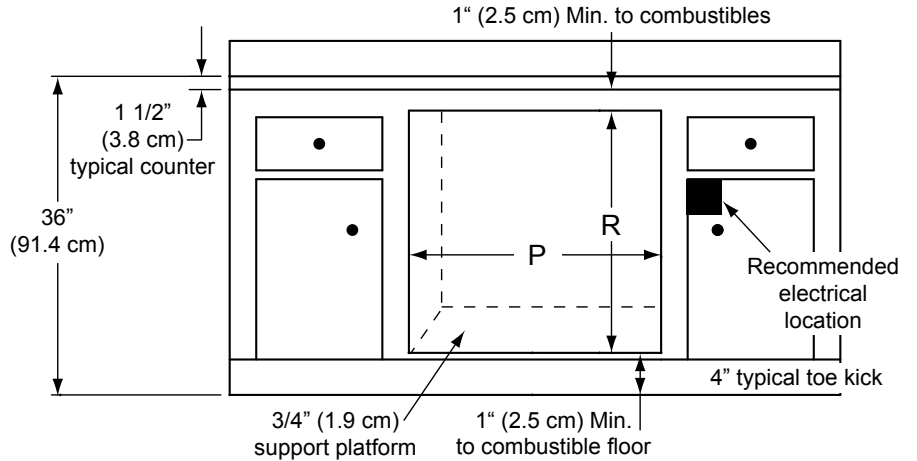
DO



Single, Distinctive Wall Oven

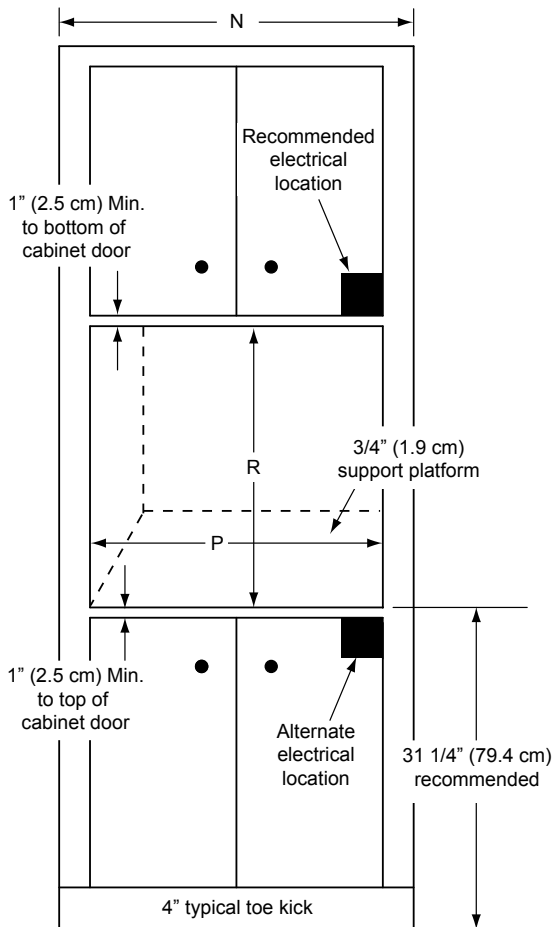
PLANNING GUIDE

Cabinet/countertop tolerances: +1/16", -0, (+1.6 mm, -0) unless otherwise stated



SINGLE WALL OVEN - INSTALLED UNDER COUNTER

Minimum Interior Cabinet Depth: 24" (61.0 cm)



SINGLE WALL OVEN - CUTOUT DIMENSIONS

Model Number	(N) Minimum Cabinet Width	(P) Minimum Cut Out Width	(R) Minimum Cutout Height
DO130	30" (76.2 cm)	28 1/2" (72.4 cm)	27 5/8" (70.2 cm)