

Pellicano

a modern take on the traditional rangehood

PROFESSIONAL

- under cabinet rangehood
- updated styling
- 600 cfm PRO motor
- 2 halogen lights
- 3 speed push button controls
- dishwasher safe grease filters
- convertible to recirculating*
- top or direct rear venting
- easy mounting system
- sone range: 3.5 - 6.5
- 6" round duct



The Pellicano is an excellent replacement hood for your updated pro cooking. Installs easily to the bottom of your cabinet.

* it is highly recommended that professional style cooking always be vented to the outside.



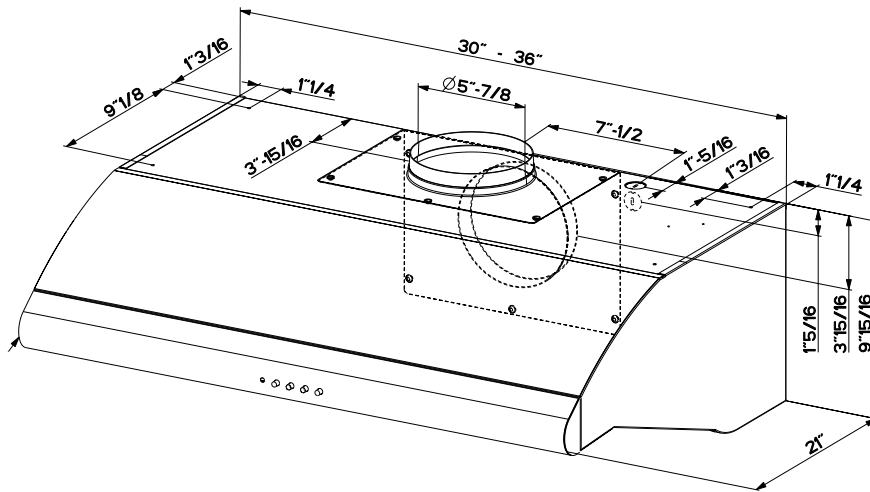
Size/Color/Model #

30 Stainless	630003950
36 Stainless	630003951

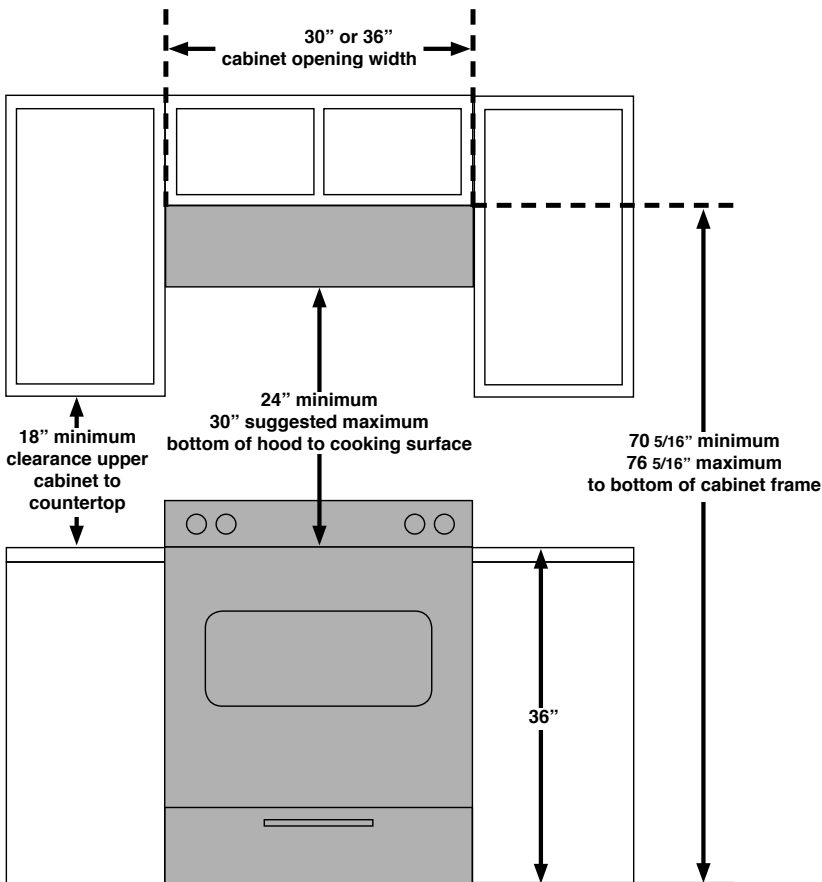
a c c e s s o r i e s

Charcoal Filters 6093034
 For recirculating installations, high quality, heavy duty filters ensure the removal of smoke and odors from the kitchen. Some ductwork is required to exhaust the unit out of the cabinet.

Dimensional Diagrams & Electrical Knockouts



Pre-Planning Your Installation - Important: Consult the installation instructions before you begin installing this rangehood.



Pre-Planning Your Ductwork - Important: Consult the installation instructions before you begin installing this rangehood.

Make your ductrun as straight and short as possible. The ductrun should not exceed 35 equivalent feet if ducted with the required minimum of 6" round ductwork. Count 45° angles as 3 feet, 90° elbows as 5 feet, and 90° flat elbows as 12 feet.

For best results, use no more than three 90° elbows. Make sure that there is a minimum of 24" of straight duct between elbows if more than one is used. Do not install two elbows together. If you must elbow right away, do it as far away from the hood's exhaust opening as possible.

Recirculating Installations

For installations where ductwork is impossible or highly impractical **Charcoal Filters**, which attach to the blower assembly, absorb smoke and odors.

Some ductwork must be installed to exhaust the rangehood back into the kitchen, either at the top of the cabinet or at the face of the soffit. A plastic vent grate supplied with the rangehood can be used to cover the duct opening. This duct work must not terminate into a dead air space.