



CATALOG OF RANGEHOODS
CATALOGO CAPPE



AIR CHANGED INTO COMFORT
CAMBIAMO L'ARIA IN COMFORT

S U M M A R Y

S O M M A R I O



COLLECTION DESIGNER

Matrix	4
Orizzonte	5
Tratto	6
Tratto Isola	7
Stilo	8
Stilo Isola	9
Diamante	10
Diamante Isola	11
Axia Isola	12

COLLECTION DECORATIVE

Synthesis	14
Tender	15
Dama	16
Dama Isola	17
Perla	18

COLLECTION PROFESSIONAL

Pro Magnum	20
------------	----

Magnum	21
Pellicano	22

COLLECTION BUILT-IN

Pro Series

Inca Pro 30	24
Inca Pro 38	25

Standard Series

Inca HC SS	26
Inca Smart	27

COLLECTION INTEGRATED

Jewel	29
Velvet	30
Cristal HC	31
Agio	32
Scirocco	33

COMPANY BACKGROUND 34

design

designer

COLLECTION
DESIGNER

*"a sophisticated union of
fashion and function"*



The Matrix combines aesthetic appeal with whisper quiet operation. Indulge your senses with Faber's luxurious Matrix rangehood - a masterful blend of modern design and ventilation technology.



Matrix wall

	600 cfm PRO
	4 + intensive
	3 halogen
	aluminum mesh filters
	6"

Size/Color/Model

36 x 30 Stainless

630003947

Artistic styling, mounts on wall, Silent Kit noise reduction, convertible to ductless, operated by remote control, 24 hour kitchen anti-pollution mode, 30 minute delayed shut-down, grease filter saturation indicator

PERIMETRIC SUCTION SYSTEM

Air passes through narrow slots on the stunning ventilation panel, acquiring speed and causing an area of low pressure which, in turn, captures more air.

The amazingly quiet perimetric suction system saves energy by improving extraction efficiency without increasing extraction capacity.

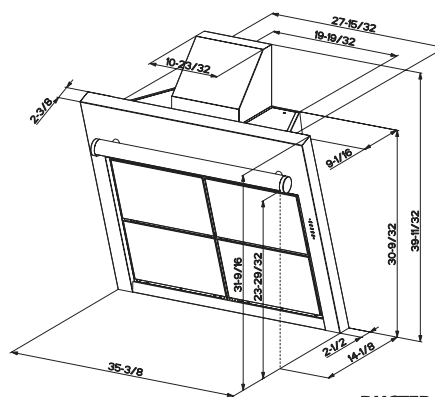
Grease filters are hidden behind the panel along with Faber's revolutionary sound-proofing material which reduces airflow noise by 25%.

ACCESSORIES

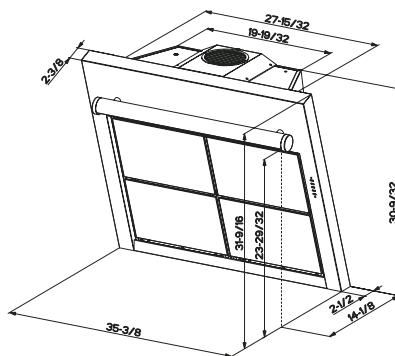
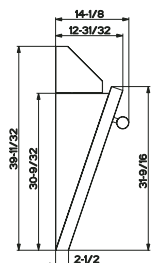
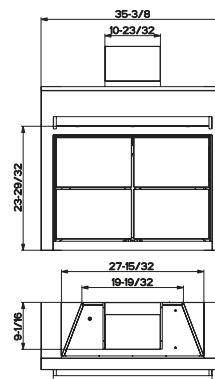
Replacement Charcoal Filters 6093034
For ductless installations, high quality, heavy duty filters ensure the removal of smoke and odors from the kitchen.

Not recommended for pro cooking.

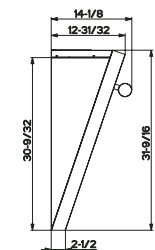
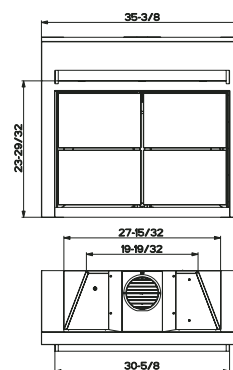
Note: Top ducted version requires additional duct cover or cabinet. Rear ducted version with chimney adapter as shown.



DUCTED INSTALLATIONS



DUCTLESS INSTALLATIONS



The Orizzonte takes ventilation to a whole new angle. Luxury features, advanced ventilation technology and modern design make the Orizzonte a perfect focal point for any kitchen.



Orizzonte wall

	600 cfm PRO
	4 + intensive
	3 halogen
	aluminum mesh filters
	6"

Size/Color/Model #
36 x 30 Stainless 630006242

Artistic styling, mounts on wall, Silent Kit noise reduction, convertible to ductless, optional remote control, 24 hour kitchen anti-pollution mode, 30 minute delayed shut-down, grease filter saturation indicator

PERIMETRIC SUCTION SYSTEM

Air passes through narrow slots on the stunning ventilation panel, acquiring speed and causing an area of low pressure which, in turn, captures more air.

The amazingly quiet perimetric suction system saves energy by improving extraction efficiency without increasing extraction capacity.

Grease filters are hidden behind the panel along with Faber's revolutionary sound-proofing material which reduces airflow noise by 25%.

ACCESSORIES

Replacement Charcoal Filter 620000041
For ductless installations, high quality, heavy duty filters ensure the removal of smoke and odors from the kitchen.

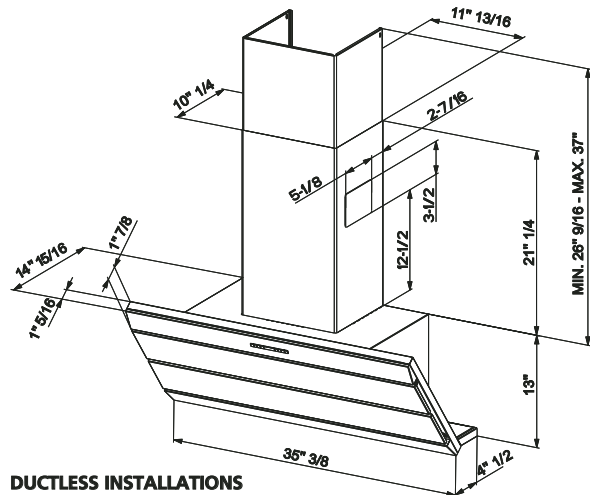
Not recommended for pro cooking.

High ceiling Chimney Kit

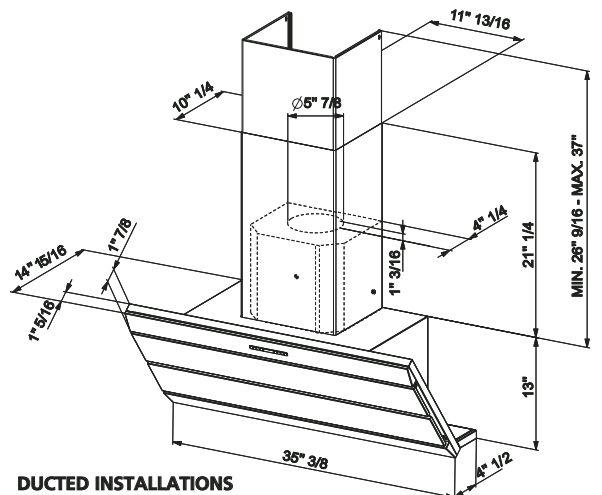
One 40" upper chimney to replace 16 1/8" upper chimney that came with hood
Stainless 620000362

Ductless Conversion Kit

Includes:
● Lower Chimney with hole for ducting ● Ductless Diverter Assembly ● Vent Grate ● Charcoal Filter
Stainless 620000363



DUCTLESS INSTALLATIONS



DUCTED INSTALLATIONS

Glass and stainless
combine for an elegant
arc.



Tratto wall

	600 cfm PRO
	3 speed push
	2 halogen
	aluminum mesh filters
	6" round

Size/Color/Model

36 Stainless 630003948

*Elegant styling, Silent Kit noise reduction,
convertible to ductless, Easy Cube mounting
system*

ACCESSORIES

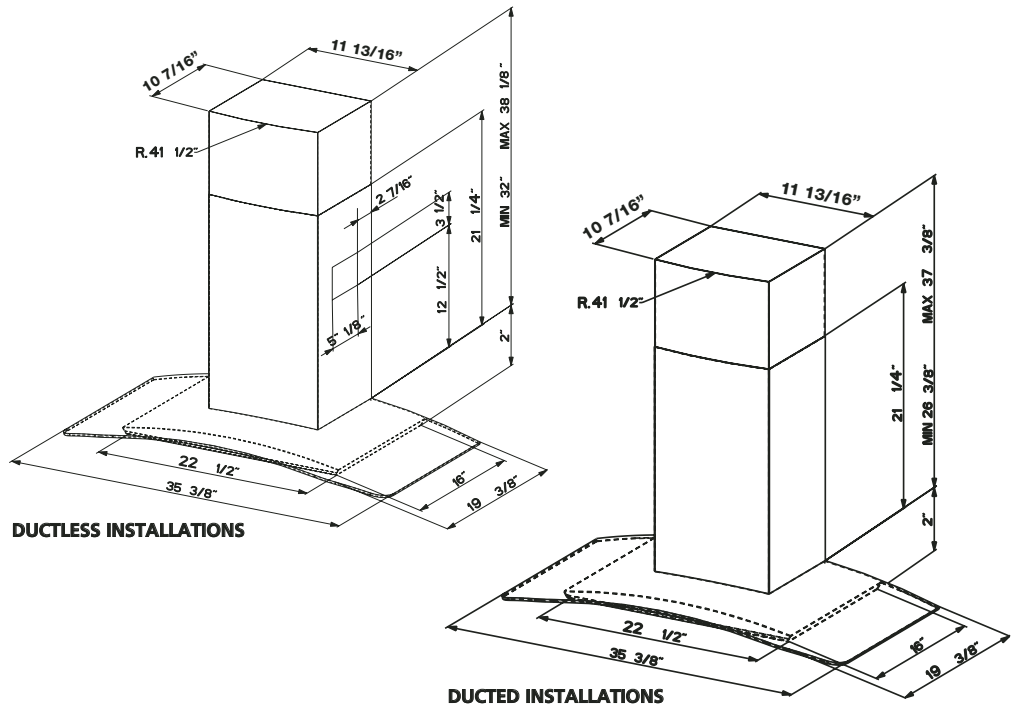
High ceiling Chimney Kit

One 40" upper chimney to replace 16
1/8" upper chimney that came with hood
Stainless 620000360

Ductless Conversion Kit

Includes:
● Lower Chimney with hole for ducting
● Ductless Diverter Assembly ● Vent
Grate ● Charcoal Filter
Stainless 620000361





Replacement Charcoal Filter 620000041



Glass and stainless combine for an elegant island arc.



Tratto Isola island

-  600 cfm PRO
-  3 speed push
-  4 halogen
-  stainless baffle
-  6" round

Size/Color/Model #
36 x 26 Stainless 630003949

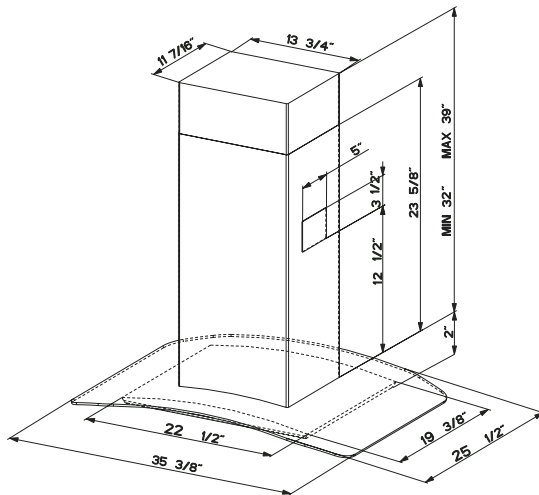
Elegant styling, Silent Kit noise reduction, convertible to ductless, Easy Cube motor access

ACCESSORIES

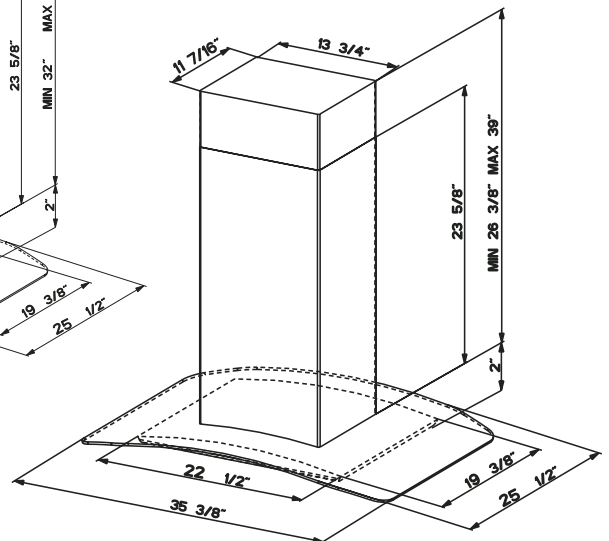
High ceiling Chimney Kit
Extends the island chimney for high ceilings
Stainless 620000370

Ductless Conversion Kit
Includes:
● Lower Chimney with hole for ducting
● Ductless Diverter Assembly ● Vent Grate ● Charcoal Filter
Stainless 620000364

Replacement Charcoal Filter 620000041



DUCTLESS INSTALLATIONS








DUCTED INSTALLATIONS

With simple lines and minimal styling, the Stilo exudes modern tranquillity.



Stilo wall

	600 cfm PRO
	3 speed push
	2 halogen for 24"/30" 3 halogen for 36"/48"
	stainless baffle
	6" round

Size/Color/Model

24 Stainless	630003942 (630006369)
30 Stainless	630006497
36 Stainless	630003943 (630006370)
48 Stainless	630006459

Modern styling, Silent Kit noise reduction, convertible to ductless, Easy Cube mounting system

ACCESSORIES

24" High Backsplash (for 30" and 36" model only)

24" high, mounts to the wall beneath the rangehood for a coordinated look
 30 x 24 stainless 6098835
 36 x 24 stainless 6098815

30" High Backsplash (for 30" and 36" model only)

30" high, mounts to the wall beneath the rangehood for a coordinated look
 30 x 30 stainless 620000095
 36 x 30 stainless 620000096

High ceiling Chimney Kit

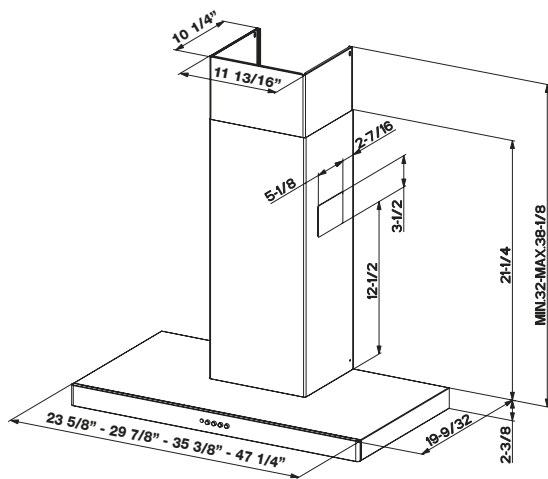
One 40" upper chimney to replace 16 1/8" upper chimney that came with hood
 Stainless 620000362

Ductless Conversion Kit

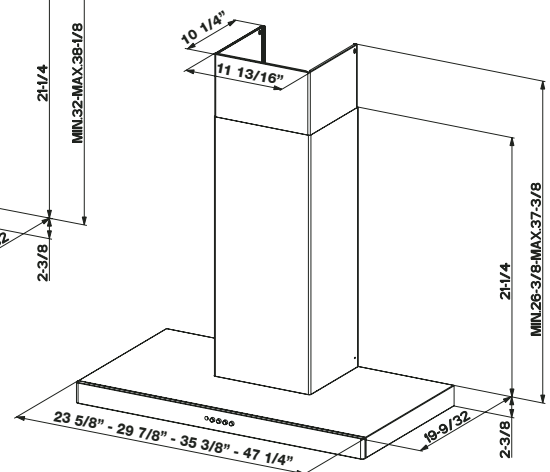
Includes:

● Lower Chimney with hole for ducting
 ● Ductless Diverter Assembly ● Vent Grate ● Charcoal Filter
 Stainless 620000363

Replacement Charcoal Filter 620000041



DUCTLESS INSTALLATIONS



DUCTED INSTALLATIONS

With simple lines and minimal styling, the Stilo Isola exudes modern tranquillity.



Stilo Isola island

	600 cfm PRO
	3 speed push
	4 halogen
	stainless baffle
	6" round

ACCESSORIES

High ceiling Chimney Kit

Extends the island chimney for high ceilings
Stainless 620000370

Ductless Conversion Kit

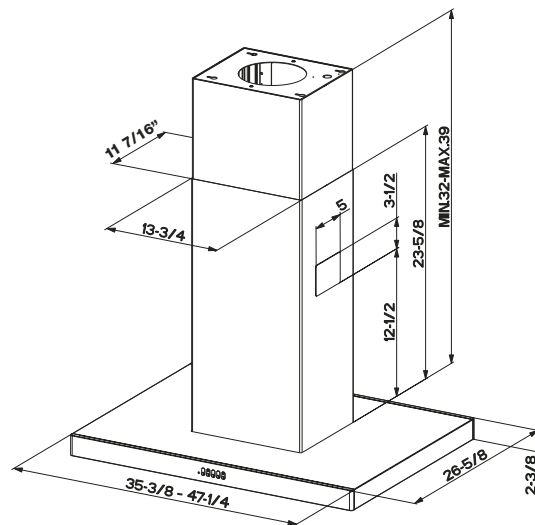
Includes:
● Lower Chimney with hole for ducting
● Ductless Diverter Assembly ● Vent Grate ● Charcoal Filter
Stainless 620000364

Replacement Charcoal Filter 620000041

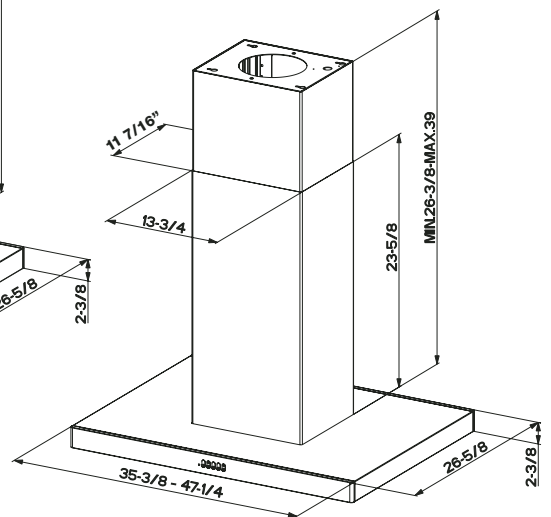
Size/Color/Model

36 x 27 Stainless 630003944 (630006456)
48 x 27 Stainless 630006457

Modern styling, Silent Kit noise reduction, convertible to ductless, Easy Cube motor access



DUCTLESS INSTALLATIONS



DUCTED INSTALLATIONS

A streamlined shape makes the Diamante Isola an updated alternative in island ventilation. To add sparkle, the corners of the canopy and the chimney are angled in a diamond-like cut.



Diamante Isola island

	600 cfm PRO
	3 speed push
	4 halogen
	stainless baffle
	6" round

Size/Color/Model

36 x 28 Stainless 630001429

Streamlined styling, Silent Kit noise reduction, modified pro depth, convertible to ductless, adjustable mounting system, Easy Cube motor access

ACCESSORIES

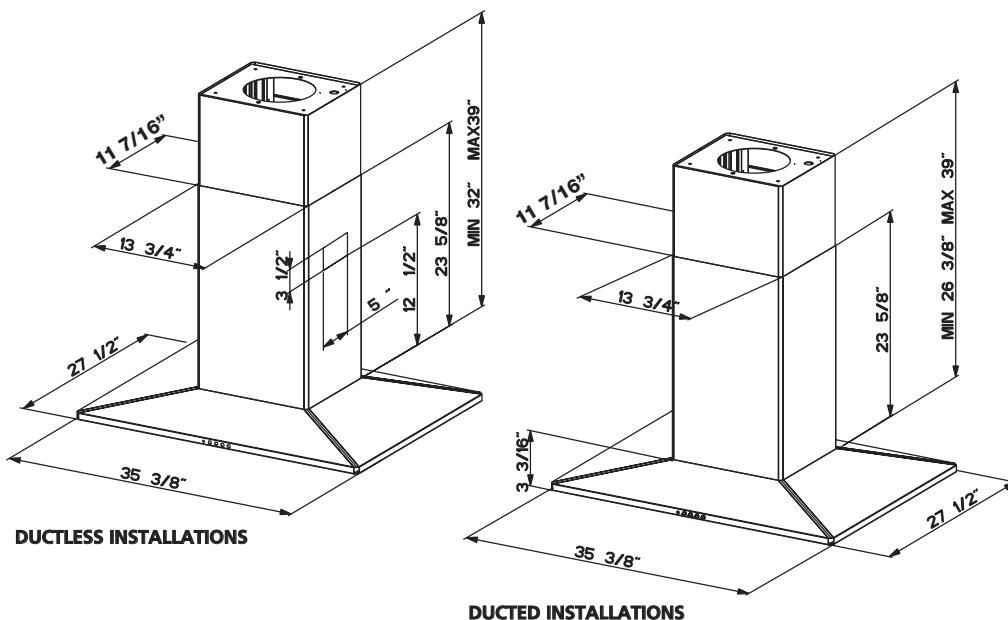
High ceiling Chimney Kit

Extends the island chimney for high ceilings
Stainless 620000558

Ductless Conversion Kit

Includes:
● Lower Chimney with hole for ducting
● Ductless Diverter Assembly ● Vent Grate ● Charcoal Filter
Stainless 620000557

Replacement Charcoal Filter 620000041



The Axia Isola's motor is located in the chimney, allowing for an ultra sleek canopy and room for a view.



Axia Isola island

	600 cfm PRO
	3 speed slide
	4 halogen
	stainless baffle
	6" round

Size/Color/Model

36 x 29 Stainless 630000815
48 x 29 Stainless 630001068

Sleek styling, Silent Kit noise reduction, modified pro depth, convertible to ductless, adjustable mounting system, Easy Cube motor access

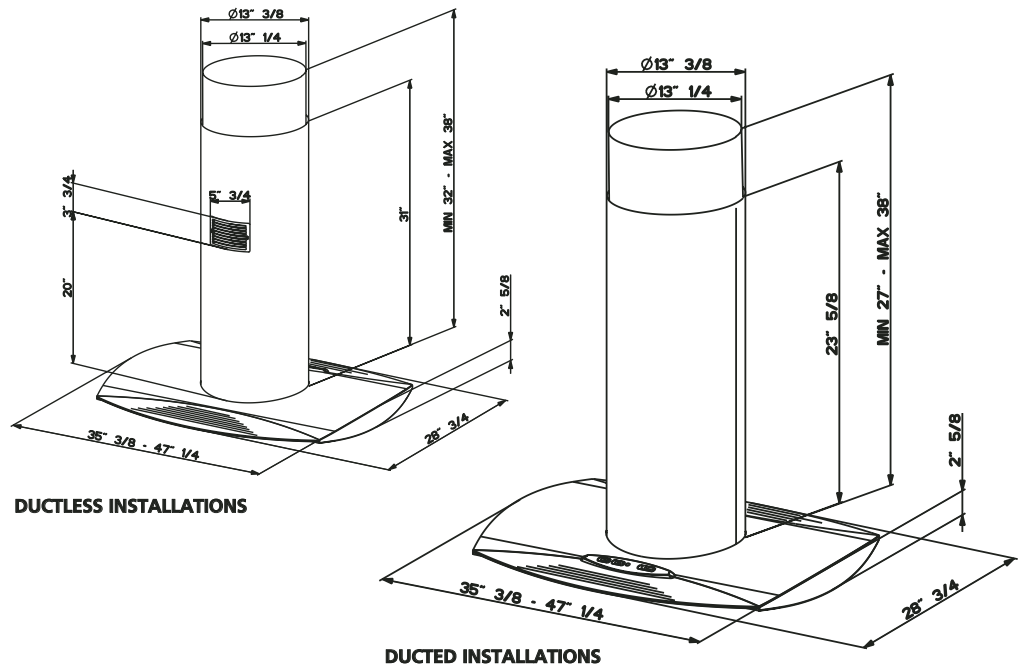
ACCESSORIES

Ductless Conversion Kit

Includes:

- Lower Chimney with hole for ducting
 - Ductless Diverter Assembly
 - Vent Grate
 - Charcoal Filter
- Stainless 620000042

Replacement Charcoal Filter 620000041



decorativo

decorative

COLLECTION
DECORATIVE

*"classic shapes and style for
timeless kitchens"*








Designed to offer a high-end decorative look taking into consideration great value.

Traditional styling, standard features, and solid performance make the Synthesis a great choice in canopy rangehoods.



Synthesis wall

	500 or 280 cfm
	3 speed slide - 500 cfm 2 speed slide - 280 cfm
	2 halogen
	aluminum mesh
	6" round

Size/Color/Model

500 cfm models	
30 Stainless	630001186
30 White	630002593
30 Black	630002595
36 Stainless	630001187
36 White	630002594
36 Black	630002596

280 cfm models	
30 Stainless	630002458
36 Stainless	630002459

Traditional styling, convertible to ductless, adjustable mounting system

ACCESSORIES

24" High Backsplash

24" high, mounts to the wall beneath the rangehood for a coordinated look

30 x 24 Stainless	6098835
30 x 24 White	6098836
30 x 24 Black	6098837
36 x 24 Stainless	6098815
36 x 24 White	6098816
36 x 24 Black	6098817

30" High Backsplash

30" high, mounts to the wall beneath the rangehood for a coordinated look

30 x 30 Stainless	620000095
36 x 30 Stainless	620000096

High Ceiling Chimney Kit

One 40" upper chimney to replace 16 3/8" upper chimney that came with hood

Stainless	620000070
White	620000164
Black	620000165

Ductless Conversion Kit

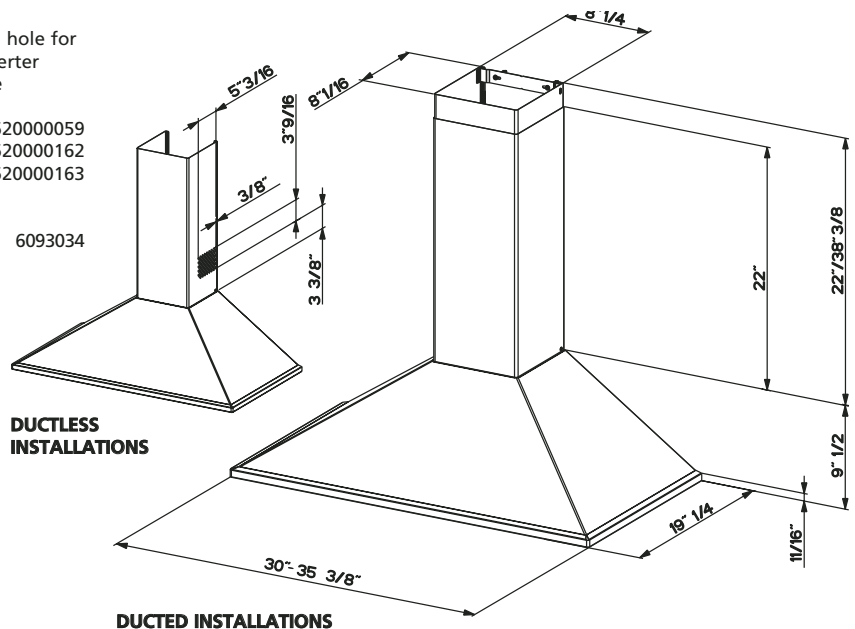
Includes:

- Lower Chimney with hole for ducting
- Ductless Diverter Assembly
- Vent Grate
- Two Charcoal Filters

Stainless	620000059
White	620000162
Black	620000163

Replacement Charcoal Filters

6093034





Designed to offer a high-end decorative look taking into consideration great value.

Traditional styling, standard features, and solid performance make the Tender a great choice in canopy rangehoods.



Tender wall

	500 or 280 cfm
	3 speed slide
	2 halogen
	aluminum mesh
	6" round

Size/Color/Model

500 cfm models	
30 Stainless	630006498
36 Stainless	630006499

280 cfm models	
30 Stainless	630006500
36 Stainless	630006501

Traditional styling, convertible to ductless, adjustable mounting system

ACCESSORIES

24" High Backsplash

24" high, mounts to the wall beneath the rangehood for a coordinated look
 30 x 24 Stainless 6098835
 36 x 24 Stainless 6098815

30" High Backsplash

30" high, mounts to the wall beneath the rangehood for a coordinated look
 30 x 30 Stainless 62000095
 36 x 30 Stainless 62000096

High Ceiling Chimney Kit

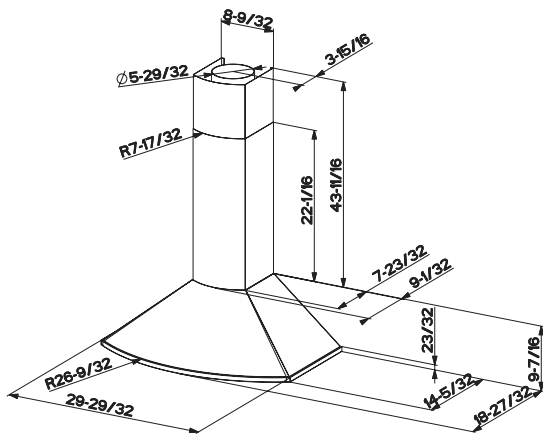
One 39" upper chimney to replace 16 3/8" upper chimney that came with hood
 Stainless 620000648

Ductless Conversion Kit

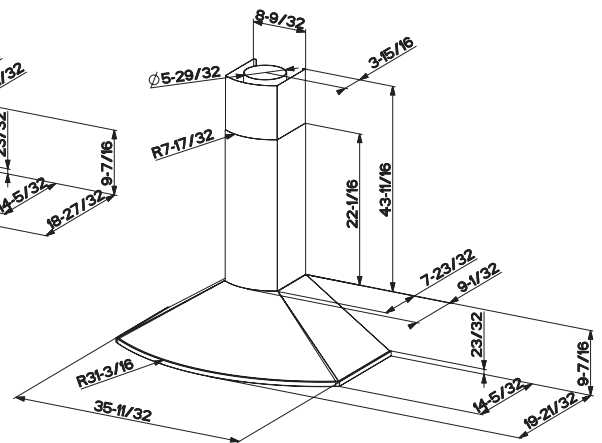
Includes:
 ● Lower Chimney with hole for ducting
 ● Ductless Diverter Assembly ● Vent Grate ● Two Charcoal Filters
 Stainless 620000649

Replacement Charcoal Filters

6093034



DUCTED 30 INSTALLATIONS








DUCTED 36 INSTALLATIONS

Designed to offer a high-end decorative look taking into consideration great value. Traditional styling, standard features, and solid performance make the Dama a great choice in canopy rangehoods.



Dama wall

	600 cfm PRO / 280 cfm
	3 speed push
	2 halogen
	aluminum mesh
	6" round

Size/Color/Model

600 cfm models	
30 Stainless	630006451
36 Stainless	630006251
280 cfm models	
30 Stainless	630006502
36 Stainless	630006503

Traditional styling, convertible to ductless, adjustable mounting system

ACCESSORIES

24" High Backsplash

24" high, mounts to the wall beneath the rangehood for a coordinated look
 30 x 24 Stainless 6098835
 36 x 24 Stainless 6098815

30" High Backsplash

30" high, mounts to the wall beneath the rangehood for a coordinated look
 30 x 30 Stainless 62000095
 36 x 30 Stainless 62000096

High ceiling Chimney Kit

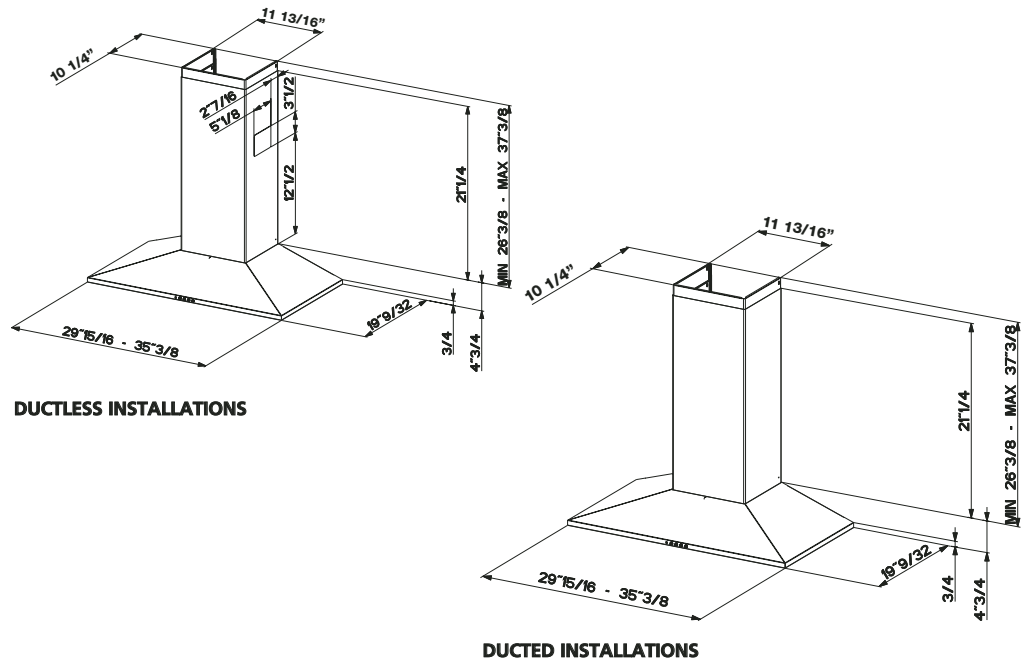
One 40" upper chimney to replace 16 1/8" upper chimney that came with hood
 Stainless 620000362

Ductless Conversion Kit

Includes:
 ● Lower Chimney with hole for ducting
 ● Ductless Diverter Assembly ● Vent Grate ● Charcoal Filter
 Stainless 620000363

Replacement Charcoal Filter

620000041



DUCTLESS INSTALLATIONS

DUCTED INSTALLATIONS

Designed to offer a high-end decorative look taking into consideration great value.

Traditional styling, standard features, and solid performance make the Dama Isola a great choice in canopy rangehoods.



Dama Isola island

	600 cfm PRO / 280 cfm
	3 speed push
	4 halogen
	aluminum mesh
	6" round

Size/Color/Model

600 cfm models
36 x 27 Stainless 630003945 (630006504)

280 cfm models
36 x 27 Stainless 630006505

Traditional styling, convertible to ductless, adjustable mounting system

ACCESSORIES

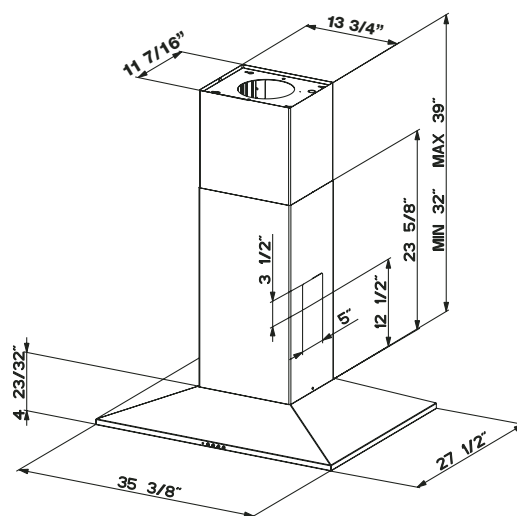
High ceiling Chimney Kit

Extends the island chimney for high ceilings
Stainless 620000370

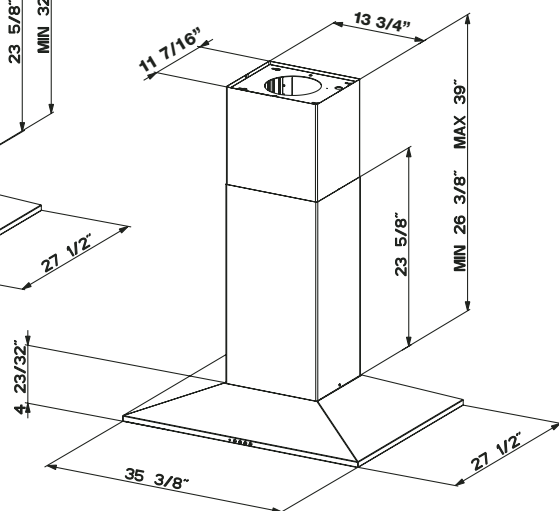
Ductless Conversion Kit

Includes:
● Lower Chimney with hole for ducting
● Ductless Diverter Assembly ● Vent Grate ● Charcoal Filter
Stainless 620000364

Replacement Charcoal Filter 620000041



DUCTLESS INSTALLATIONS



DUCTED INSTALLATIONS

The Perla's contemporary design will add stylish flair to your kitchen. Corners and edges are rounded for clean design and safety.



Perla wall

	600 cfm
	3 speed slide
	2 halogen
	aluminum mesh
	6" round

ACCESSORIES

24" High Backsplash

24" high, mounts to the wall beneath the rangehood for a coordinated look
 30 x 24 Stainless 6098835
 36 x 24 Stainless 6098815

30" High Backsplash

30" high, mounts to the wall beneath the rangehood for a coordinated look
 30 x 30 Stainless 62000095
 36 x 30 Stainless 62000096

High Ceiling Chimney Kit

One 40" upper chimney to replace 20" upper chimney that came with hood
 Stainless 6097005

Ductless Conversion Kit

Includes:

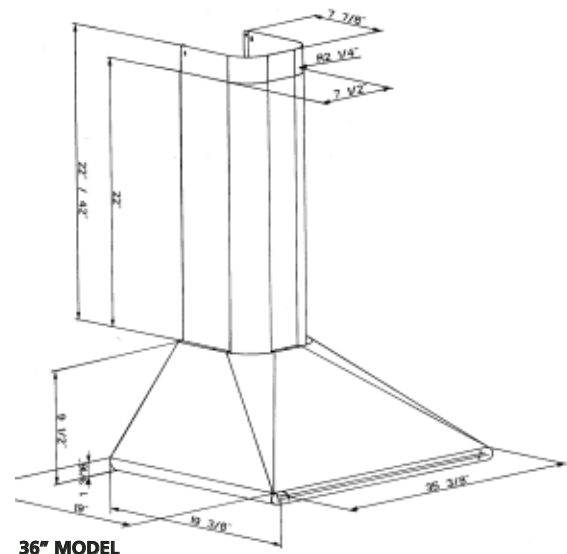
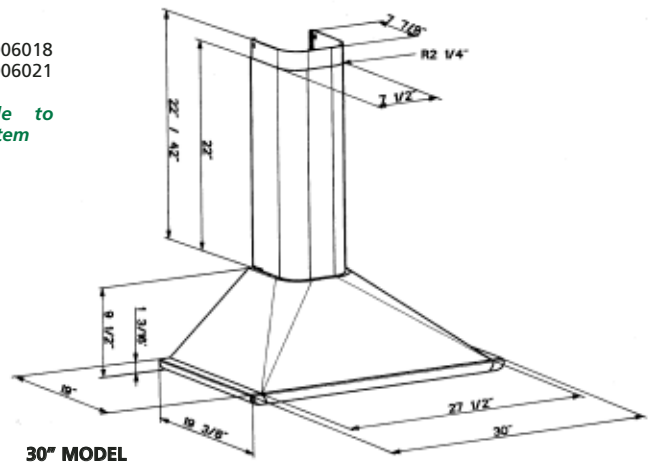
- Lower Chimney with hole for ducting
 - Ductless Diverter Assembly
 - Vent Grate
 - Two Charcoal Filters
- Stainless 6097340

Replacement Charcoal Filters 6093034

Size/Color/Model

30 Stainless 630006018
 36 Stainless 630006021

Traditional styling, convertible to ductless, adjustable mounting system



professionista

professional

COLLECTION
PROFESSIONAL






*"for optimum performance over
professional cooking surfaces"*



The Pro Magnum offers a good value in the professional ventilation category. Top or direct rear venting and three chimney options make the Pro Magnum the most versatile and easy to install Pro hood on the market.



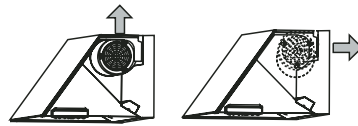
Pro Magnum wall

	600 cfm - 30" & 36" 1100 cfm - 48"
	3 speed slide
	3 halogen 30" & 36" 4 halogen - 48"
	stainless baffle
	3 1/4" x 10" - 30" & 36" *two 3 1/4" x 10" - 48"

Size/Color/Model

30 Stainless	6059890
36 Stainless	6059891
48 Stainless	6059892

Professional styling, three chimney options, pro depth, *convertible to recirculating, top or direct rear venting, built-in mounting system



ACCESSORIES

30" High Backsplash

30" high, mounts to the wall beneath the rangehood for a coordinated look	
30 x 30 Stainless	620000095
36 x 30 Stainless	620000097
48 x 30 Stainless	620000098

°Duct Transition Kit

For 48" model only, transitions two 3 1/4" x 10" openings to one 10" round Galvanized Steel	6000002
---	---------

*Charcoal Filters

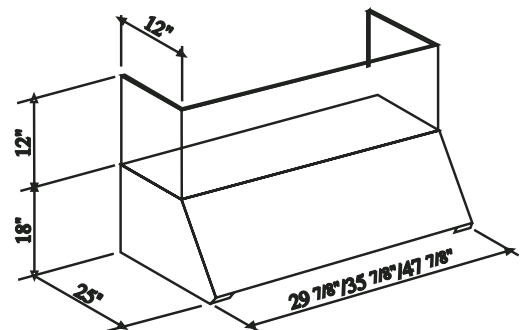
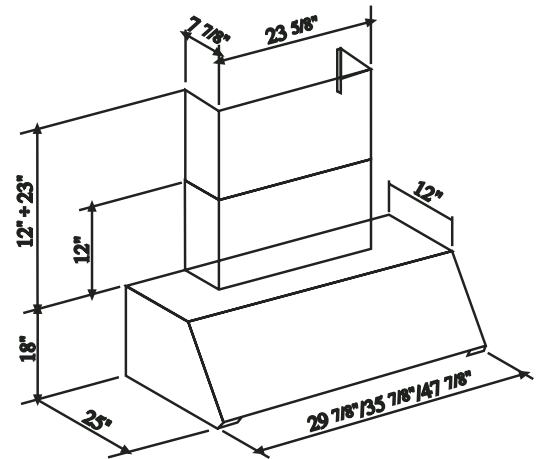
For recirculating installations, high quality, heavy duty filters ensure the removal of smoke and odors from the kitchen. Some ductwork is required to exhaust the unit out of the cabinet.	6093034
For 48" model, you must order two of part #6093034, one kit for each motor.	



Telescopic Chimney Cover
24" wide, extends to accommodate 8 - 9 foot ceilings
24 Stainless 6097336



Full Width Duct Cover
12" high, extends full width of the hood
30 Stainless 6097337
36 Stainless 6097338
48 Stainless 6097339








*It is highly recommended that professional style cooking always be vented to the outside.

The Magnum is an excellent replacement hood for your updated pro cooking. Installs easily to the bottom of your cabinet.



Magnum under cabinet

	600 cfm PRO
	3 speed slide
	2 halogen for 24" 3 halogen for 30" and 36"
	stainless baffle
	6" round

Size/Color/Model

24 Stainless	630003930
30 Stainless	630003638
36 Stainless	630003639

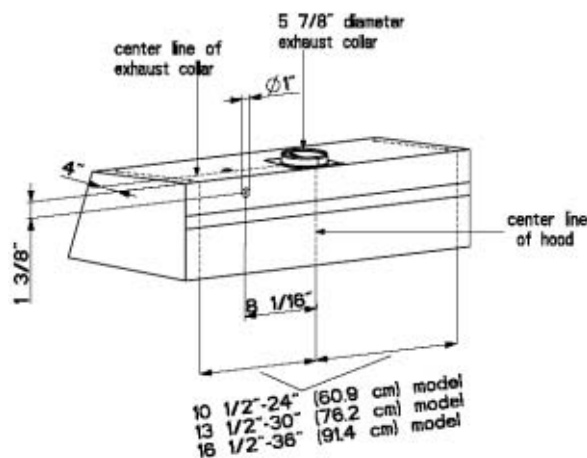
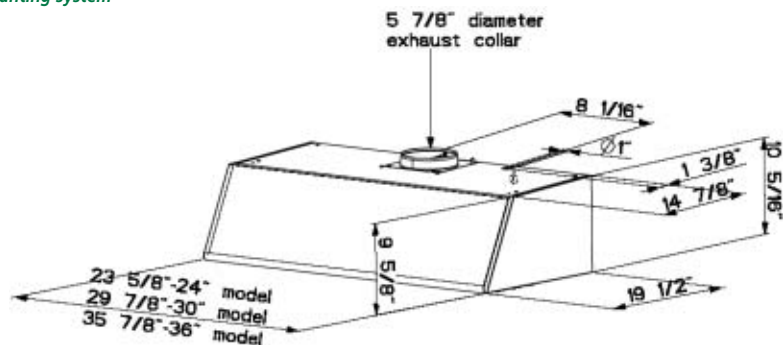
Professional styling, *convertible to recirculating, easy mounting system

ACCESSORIES

*Charcoal Filters 6093034

For recirculating installations, high quality, heavy duty filters ensure the removal of smoke and odors from the kitchen. Some ductwork is required to exhaust the unit out of the cabinet.

*It is highly recommended that professional style cooking always be vented to the outside.



incasso

built-in

COLLECTION
BUILT-IN






*"built-in ventilation for your
custom creation"*



Finally, a high-powered insert that looks as great as it performs. The Inca Pro 30, with its powerful PRO motor and stylish baffle filter system, offers an all-in-one-box solution for custom ventilating over professional surfaces.



Inca Pro 30 professional insert

	600 cfm PRO - Internal 900 or 1200 cfm - Remote
	3 speed slide - Internal variable slide - Remote
	2 halogen
	stainless baffle
	6" round - Internal 10" round - Remote

ACCESSORIES

Inca Pro 30 can be used with custom hoods 30" wide and up. Choose either a custom liner or our ProLiner designed for 36" wide installations.

Liners

Create a perfectly-sealed, non-combustible perimeter around the Inca Pro. Depth adjustable from 21" - 25".

ProLiner 36 Stainless 620000301

*Charcoal Filters 6093034

For recirculating installations, high quality, heavy duty filters ensure the removal of smoke and odors from the kitchen. Some ductwork is required to exhaust the unit out of the cabinet.

Size/Color/Model

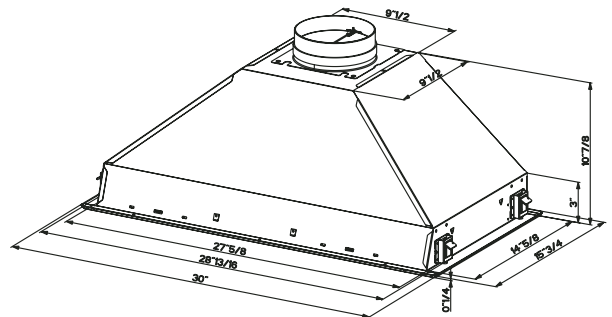
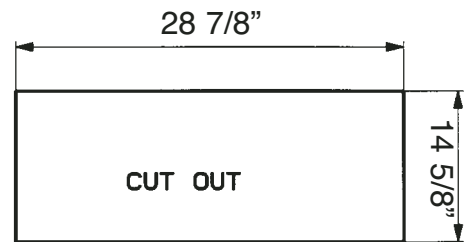
30 Stainless Internal	630001084
30 Stainless Remote	630003952
900 cfm Remote Blower	630001732
1200 cfm Remote Blower	610000007

*Fits custom hoods 30" wide and up,
*convertible to recirculating, built-in
mounting system, sloped front and sides*

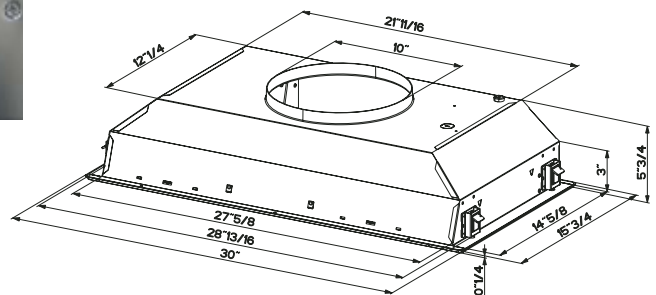
Remote Wall Control Switch 620000542

Allows for the light and speed control switches to be removed from the hood and installed in a wall or surface of your choice.

This can only be used with the remote blower version.



INTERNAL VERSION








REMOTE VERSION

*It is highly recommended that professional style cooking always be vented to the outside.

Finally, a high-powered insert that looks as great as it performs. The Inca Pro 38, with its powerful PRO motor and stylish baffle filter system, offers an all-in-one-box solution for custom ventilating over professional surfaces.



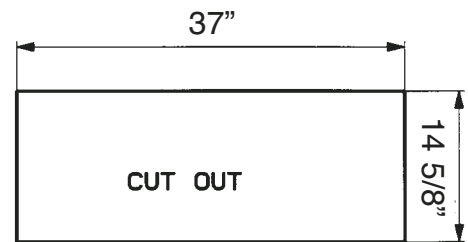
Inca Pro 38 professional insert

	1100 cfm PRO - Internal 900 or 1200 cfm - Remote
	3 speed slide - Internal variable slide - Remote
	3 halogen
	stainless baffle
	6" round - Internal 10" round - Remote

Size/Color/Model

38 Stainless Internal	630001175
38 Stainless Remote	630003953
900 cfm Remote Blower	630001732
1200 cfm Remote Blower	610000007

*Fits custom hoods 40" wide and up, *convertible to recirculating, built-in mounting system, sloped front and sides*



ACCESSORIES

Inca Pro 38 can be used with custom hoods 40" wide and up. Choose either a custom liner or our ProLiner designed for 42" and 48" wide installations.

Liners

Create a perfectly-sealed, non-combustible perimeter around the Inca Pro. Depth adjustable from 21" - 25".

Proliner 42 Stainless	620000302
Proliner 48 Stainless	620000303

Duct transition Kit (for internal version only)

Transition two 6" round openings to one 10" round opening (optional)
Galvanized Steel 620000087

*Charcoal Filters (Order 2 Kits) 6093034

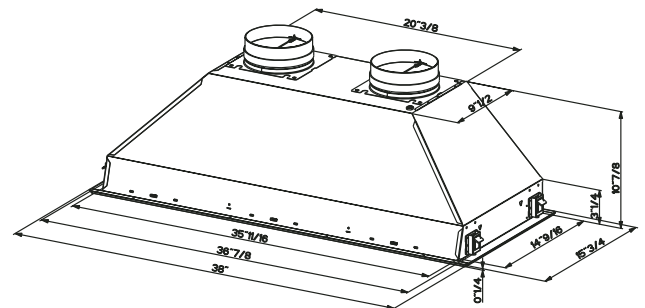
For recirculating installations, high quality, heavy duty filters ensure the removal of smoke and odors from the kitchen. Some ductwork is required to exhaust the unit out of the cabinet.

YOU MUST ORDER TWO OF PART #6093034 (ONE KIT FOR EACH OF THE TWO INCA PRO 38 MOTORS)

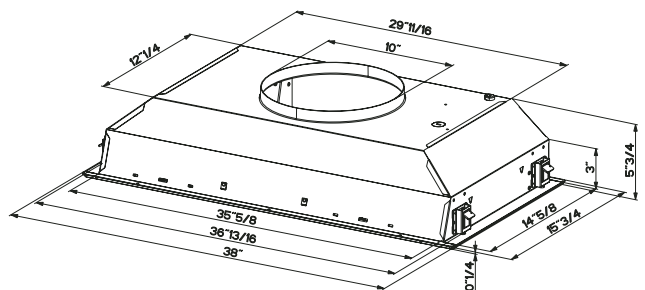
Remote Wall Control Switch 620000542

Allows for the light and speed control switches to be removed from the hood and installed in a wall or surface of your choice.

This can only be used with the remote blower version.



INTERNAL VERSION



REMOTE VERSION

*It is highly recommended that professional style cooking always be vented to the outside.

The Inca HC SS power pack is perfect for the homeowner who needs powerful ventilation, but does not want to see a rangehood at all. This exceptionally finished power pack installs effortlessly into your custom cabinet or hood.



Inca HC SS standard insert

	500 cfm
	3 speed slide
	2 halogen
	aluminum mesh
	6" round

Size/Color/Model

29 Stainless 630002752

Fits custom hoods 30" wide and up, convertible to recirculating, top or direct rear venting, built-in mounting system

ACCESSORIES

Inca HC SS can be used with custom cabinetry and hoods 30" wide and up. Choose either a custom liner or our Standard Liner designed for 30" and 36" wide installations.

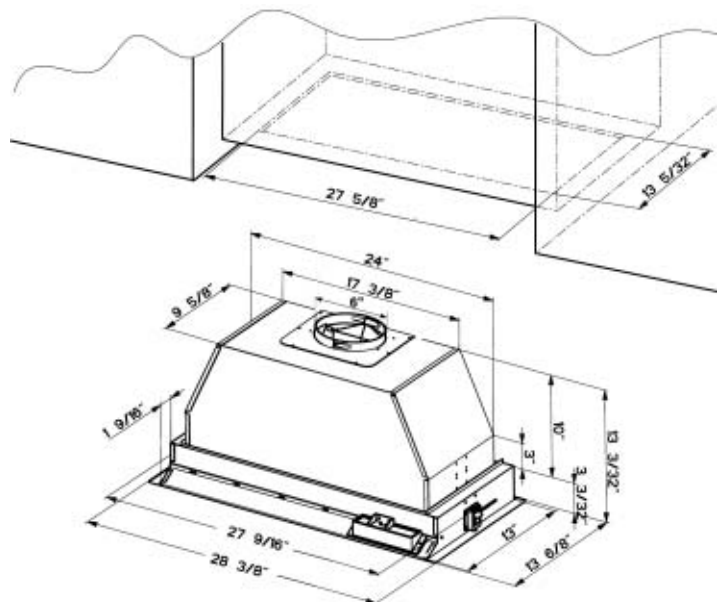
Liners

Create a perfectly-sealed, non-combustible perimeter around the Inca HC SS. Depth adjustable from 16" - 17 7/8".
 Standard Liner 30 Stainless 620000304
 Standard Liner 36 Stainless 620000305

Charcoal Filters

6093034

For recirculating installations, high quality, heavy duty filters ensure the removal of smoke and odors from the kitchen. Some ductwork is required to exhaust the unit out of the cabinet.



The Inca Smart power pack is perfect for the homeowner who does not want to see a rangehood at all. This compact insert fits easily into upper cabinets as small as the standard 12" deep x 30" wide and features an exceptionally well-finished bottom.



Inca Smart standard insert

	250 cfm
	3 speed slide
	2 incandescent
	aluminum mesh
	5" round

Size/Color/Model

28 Stainless (Above) 630006288
28 Gray (Right) 5974890

Fits cabinets as small as 12" deep, fits custom hoods 30" wide and up, convertible to recirculating, built-in mounting system



ACCESSORIES

Inca Smart can be used in standard 30" or 36" wide cabinetry or with custom hoods 30" wide and up. Choose either a custom liner or our Standard Liner designed for 30" and 36" wide installations.

Liners

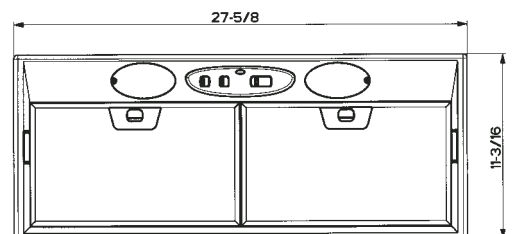
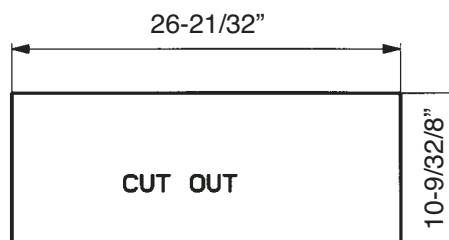
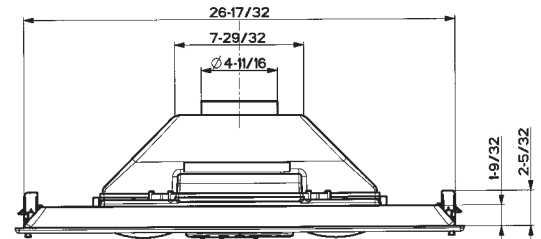
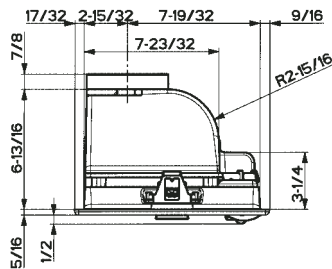
Create a perfectly-sealed, non-combustible perimeter around the Inca Smart. Depth adjustable from 16" - 17 7/8".

Standard Liner 30 Stainless 620000304
Standard Liner 36 Stainless 620000305

Charcoal Filters

6093130

For recirculating installations, high quality, heavy duty filters ensure the removal of smoke and odors from the kitchen. Some ductwork is required to exhaust the unit out of the cabinet.



integrate

integrated

COLLECTION
INTEGRATED

*"command performance
that doesn't take center stage"*



For a seamless look in the kitchen, the Jewel is your integrated solution. The Jewel tilts in, flush with your cabinets, neatly tucking the hood away.



Jewel tiltout

	600 cfm PRO
	3 speed push
	2 halogen
	aluminum mesh
	6"

Size/Color/Model

24 Integrated 630006506
36 Integrated 630006507

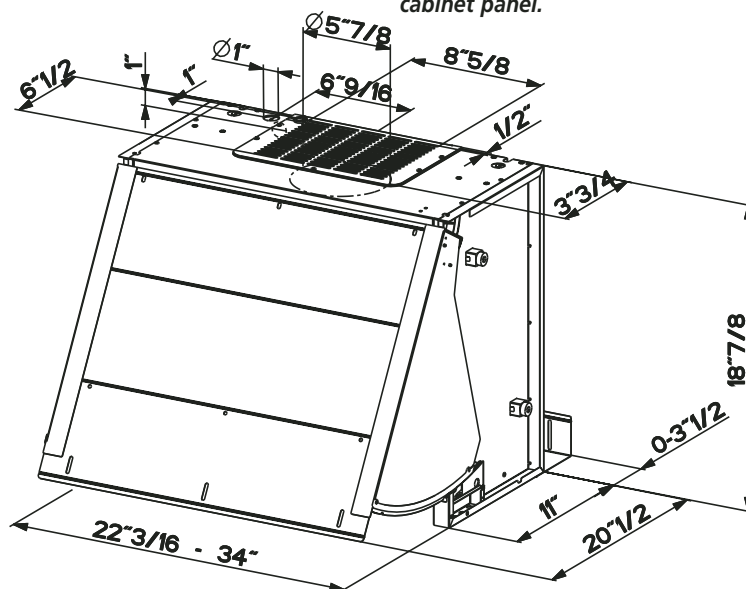
Integrated styling, closes flush with cabinets, convertible to ductless, easy mounting system



ACCESSORIES

Charcoal Filters 6093034
For ductless installations, high quality, heavy duty filters ensure the removal of smoke and odors from the kitchen.

This product can be customized by adding a cabinet panel.



For a streamlined look in the kitchen, the Velvet is your integrated solution. The Velvet has a sleek glass visor which slides in, flush with your cabinets, neatly tucking the hood away.



Velvet slideout

	600 cfm PRO
	4 + intensive
	2 halogen + dimmer
	aluminum mesh
	6" round

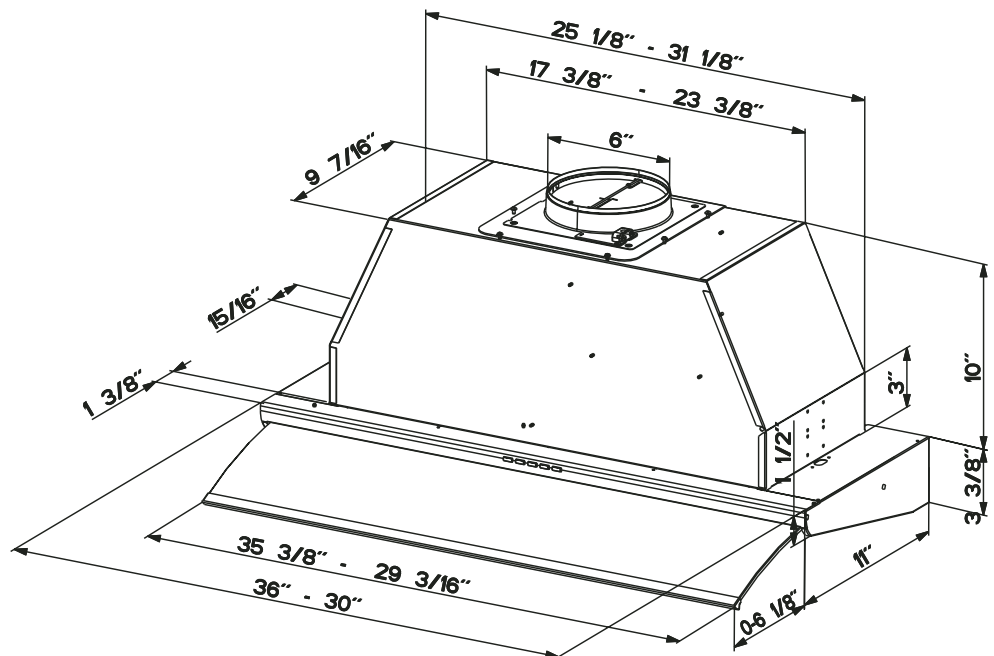
Size/Color/Model

30 Stainless 630006508
36 Stainless 630006509

Slim styling, closes flush with cabinets, easily replaces existing hoods, convertible to recirculating, top or direct rear venting, built-in mounting system

ACCESSORIES





Charcoal Filters 6093034
For recirculating installations, high quality, heavy duty filters ensure the removal of smoke and odors from the kitchen. Some ductwork is required to exhaust the unit out of the cabinet.



For a streamlined look in the kitchen, the Cristal HC is your integrated solution. The Cristal HC has a sleek pull-out visor which slides in, flush with your cabinets, neatly tucking the hood away.



Cristal HC slideout

	500 cfm
	3 speed slide
	1 glass fluorescent
	aluminum mesh
	6" round

Size/Color/Model

30* 5980410
 36* 5980411
 *white, black and brushed aluminum front trims come with every Cristal HC in the box

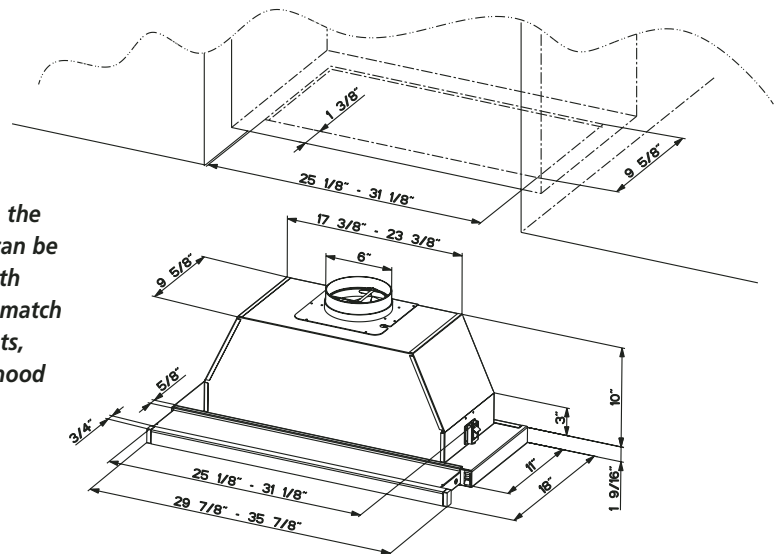
Slim styling, closes flush with cabinets, easily replaces existing hoods, convertible to recirculating, top or direct rear venting, built-in mounting system

ACCESSORIES

Charcoal Filters 6093034
 For recirculating installations, high quality, heavy duty filters ensure the removal of smoke and odors from the kitchen. Some ductwork is required to exhaust the unit out of the cabinet.







For total integration, the front strip can be replaced with material to match your cabinets, hiding the hood completely.



For a seamless look in the kitchen, the Agio is your integrated solution. With a black or white glass front that pairs well with ceran cooktops, the Agio tilts in, flush with your cabinets, neatly tucking the hood away.



Agio tiltout

	230 cfm
	3 speed slide
	1 glass fluorescent
	aluminum mesh
	3 1/4" x 10"

Size/Color/Model

24 White	6074405
24 Black	6074455
30 White	6074406
30 Black	6074456
36 White	6074407
36 Black	6074457

Integrated styling, closes flush with cabinets, easily replaces existing hoods, convertible to ductless, top or direct rear venting, easy mounting system



For total integration, the glass front can be replaced with material to match your cabinets, hiding the hood completely.

ACCESSORIES

Stainless Front Kits

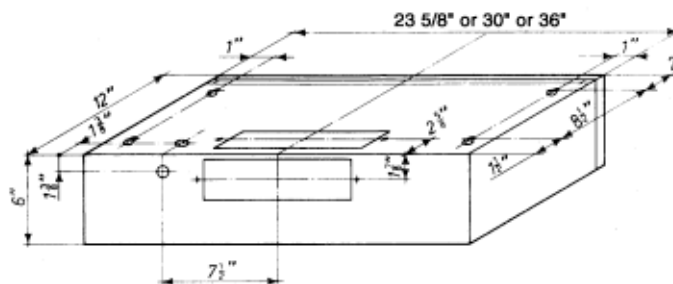
To replace the black or white glass front with a stainless steel panel

24 Stainless	6000024
30 Stainless	6000030
36 Stainless	6000036

Charcoal Filters

6093032






For ductless installations, high quality, heavy duty filters ensure the removal of smoke and odors from the kitchen.



The Scirocco downdraft is perfect for island installations, where an overhead canopy would be obstructive, or wall installations where cabinet space is at a premium. Rising a full 8 1/4" above the cooktop, the Scirocco vents horizontally across the cooking surface and down through the exhaust vent. At the press of a button, the stainless steel Scirocco retracts back down into the counter.



Scirocco downdraft

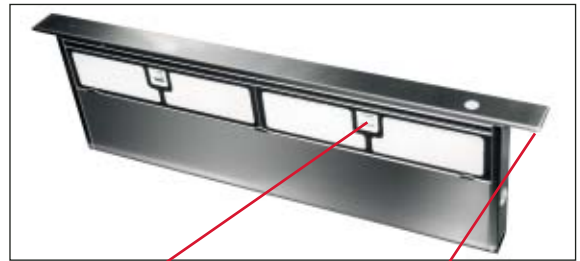
	500 cfm - Internal 900 cfm - Remote
	variable knob
	NA
	aluminum mesh
	3 1/4" x 10" - Internal 10" round - Remote

Size/Color/Model

30 Stainless Internal	6058028
36 Stainless Internal	6058029
30 Stainless Remote	6058030
36 Stainless Remote	6058031

900 cfm Remote Blower	630001732
-----------------------	-----------

Pops up and down, flush with cooktop in down position, four way venting



Safety microswitches on the grease filters prevent the Scirocco from lowering when cleaning the top trim. Spring secured top trim pops off automatically if an object or finger obstructs its path.

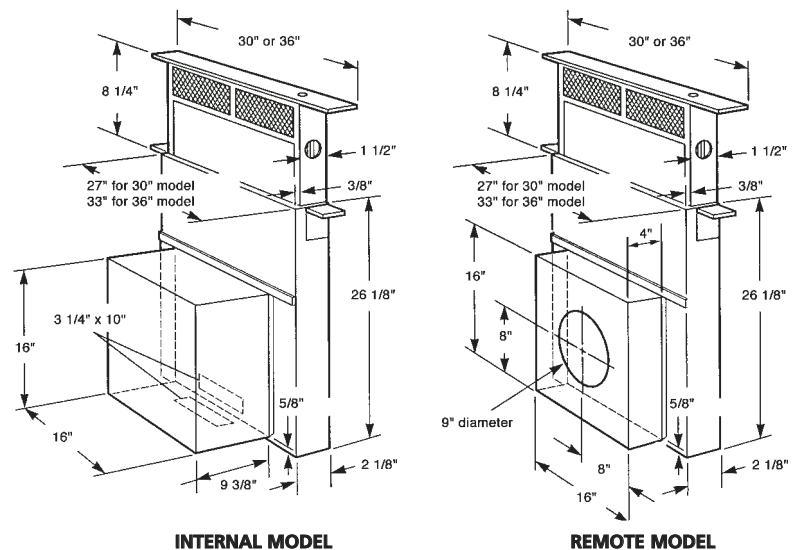
Momentary delay up/down button prevents the unit from raising or lowering when cleaning the top trim.

ACCESSORIES

Trim Kits

to replace the stainless steel top trim with a black or white trim

30 White	6096090
36 White	6096091
30 Black	6096092
36 Black	6096093



INTERNAL MODEL

REMOTE MODEL

Faber. The Premier Kitchen Ventilation Company

A FUTURE-ORIENTED WORLDWIDE GROUP

At Faber, we have been living in the future since 1955. We have always placed prime importance on innovation and quality, seeking out new ideas, new approaches and new resources. Our aim has always been to keep abreast of ongoing changes in the market, and our approach has proved to be a winning one.

Thanks to half a century of professional experience – based on care and attention, creativity, and technological research into air treatment, we have grown into a global leader in ventilation.

Our consolidated turnover exceeded Euro 245 million in 2007; our annual output now stands at over 2.9 million units, 75% of which are exported to countries throughout the world.



"Faber is one of the oldest and most experienced ventilation companies in the world, with over 50 years of ventilation experience.

Headquartered in Fabriano Italy, Faber SpA manufactures over 2.9 million rangehoods per year. Faber's volume equates to over 91% of the entire U.S. rangehood market".

A STRONG FOUNDATION FOR WORLDWIDE SUCCESS

Faber's export success is truly a reflection of our strong homeland base in Italy. We are proud to be the market leader in a country which not only demands the highest levels of design and style, but also is home to several ventilation manufacturers. We are constantly striving to produce the most innovative rangehoods which have, for more than 50 years, become synonymous with the Faber brand name.



"Faber's growth is fueled by its global emphasis, allowing us to draw on new and varied ideas. Our network of industrial plants and marketing companies covers 8 countries across 3 continents."



NORTH AMERICA: A LONG-TERM RELATIONSHIP

As a leading importer of Italian rangehoods, we have been providing discriminating customers in the North American market with our premium brand of ventilation for over 15 years. Our experienced distribution network, based near Boston, Massachusetts covers the United States, Canada, and Mexico. Rangehoods and parts are inventoried across the continent for short lead times and unparalleled customer service. Faber customers can count on high quality products and service today and tomorrow.

PREMIUM VENTILATION AT A SURPRISING PRICE-POINT

Our philosophy is to be the premium-brand choice for all ventilation customers regardless of style preference or price point. From our Integrated Collection of under-cabinet hoods, to our Designer Collection of high-end chimney styles, attention to fit and

finish, performance, grease filter quality, and design flair are subject to the same exacting standards.



CERTIFIED QUALITY WORLDWIDE

Faber was the first rangehood manufacturer to obtain the ISO 9001 certification, a quality management system which assures quality in design, development, production, installation and servicing.

For the United States and Canada, all Faber rangehoods are certified by Underwriters Laboratory and bear the UL or UL-C mark.



Underwriters Laboratory is the undisputed leader in product-safety testing and certification. This is only one of many international quality standards, Faber is committed to meeting.

WHERE THE APPLIANCE INDUSTRY SHOPS FOR VENTILATION

Many discriminating worldwide appliance companies trust Faber as their source for quality ventilation products sold under their own brand names. This OEM business demands high-quality product with low service levels, a trademark of Faber production. We are proud that these companies rely on Faber to preserve the integrity of their brand names. We invite you to join our most competent customers by choosing a Faber brand rangehood.

SOPHISTICATED DESIGN: DETAILS MAKE THE DIFFERENCE

Although our styles are often imitated, the level and elegance of our design is never matched. Our careful consideration to form and proportion quietly imparts an unrivaled sophistication of style. All Faber rangehoods are finished with care, with great attention being paid to every last detail. From the curve of a canopy to the frame of a grease filter, our fit and finish is unparalleled.



"Faber style is noted for a refined elegance and attention to detail, at times restrained, at times elaborate."



Faber. The Premier Kitchen Ventilation Company



"Faber's global portfolio of hoods includes over 100 models in many different styles: decorative and traditional chimney-style hoods for wall and island installations, integrated hoods and downdrafts, pro-style hoods, and built-in units."

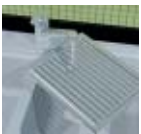
SIMPLE & EFFECTIVE GREASE MANAGEMENT WITH METAL FILTERS



Our stainless steel baffle filters or our multi-layered aluminum mesh filters protect the motor and ductwork from grease particles.



Filters fit tightly with the surrounding area and lock in to place to prevent them from falling on your cooktop.



Regular maintenance is important to keep hoods efficient over time. Clean the dishwasher-safe grease filters periodically.

EASY CUBE: ANOTHER INNOVATION BY FABER

Easy Cube is the special motor housing attached to the canopy rangehoods. With Easy Cube, even the thinnest of hoods can be outfitted with our powerful and quiet all-aluminum PRO motor. Easier to install, quicker to service:



this is the promise of Easy Cube. With built-in, self-leveling mounting supports the entire hood is secured. Add chimney

covers and installation is complete. In the rare case, where service may be necessary, the entire PRO motor is easily unclipped and removed for quick replacement or repair.

PROTECT YOUR KITCHEN INVESTMENT WITH A FABER RANGEHOOD

The best way to keep your kitchen clean and new-looking is to keep it well-ventilated.

Removing unwanted pollutants such as smoke, odors, steam, and grease from the kitchen prevents them from damaging cabinetry, surfaces, and even other appliances.

A good rangehood protects your kitchen investment.

VENTILATION THE EFFICIENT AND QUIET WAY

A rangehood is without a doubt one of the most efficient, safe and economical ways of ensuring good levels of ventilation in the kitchen, extracting dirty air and drawing in clean air. A hood's extraction capacity should be proportional to the kitchen where it is installed -

the larger the kitchen, the greater the hood's extraction capacity in terms of cfm.

- Turn your hood on low **before** cooking to develop the airflow which captures and removes contaminants.

- Keep the hood on low **during** cooking, using higher speeds only when a large amount of smoke, grease, or steam appears unexpectedly

- Leave the hood on low **after** cooking, expelling any leftover contaminants.

Since most rangehood noise is caused by speed of airflow, and not the motor, using your hood for a longer period of time on low speeds is the most quiet and effective way to exchange the air in your kitchen.

KEEP IT STRAIGHT

Keeping the ductwork straight and short, avoiding elbows where possible, maintains maximum efficiency. Several of our rangehoods offer a Direct Rear Venting option which eliminates the need for an elbow in the ductwork.



smoke & odors settle into curtains, upholstery, and carpets

steam causes painted walls, ceilings, and wall coverings to crack and peel

grease clings to cabinetry and attracts dust, increasing the need for cleaning and decreasing the lifespan of cabinets



www.faberonline.com
p.o. box 435
wayland, ma 01778
tel: 508 358 5353 - fax: 508 358 5730
email: info@faberonline.com

F A B E R . A I R C H A N G E D I N T O C O M F O R T
F A B E R . C A M B I A M O L ' A R I A I N C O M F O R T