

Perla

C L A S S I C

classic design with contemporary curves

- wall canopy rangehood
- contemporary styling
- 600 cfm
- 2 halogen lights
- 3 speed control
- integrated control panel
- dishwasher safe grease filters
- convertible to ductless
- adjustable mounting system
- sone range: 3.5 - 6.5
- 6" round duct



The Perla's contemporary design will add stylish flair to your kitchen. Corners and edges are rounded for clean design and safety.



Size/Color/Model

30 Stainless	6025994
30 White	6025996
30 Black	6025995
36 Stainless	6025997
36 White	6025999
36 Black	6025998

a c c e s s o r i e s	24" High Backsplash	
	24" high, mounts to the wall beneath the rangehood for a coordinated look	
	30 x 24 Stainless	6098835
	30 x 24 White	6098836
	30 x 24 Black	6098837
	36 x 24 Stainless	6098815
	36 x 24 White	6098816
	36 x 24 Black	6098817
	30" High Backsplash	
	30" high, mounts to the wall beneath the rangehood for a coordinated look	
	30 x 30 Stainless	62000095
	36 x 30 Stainless	62000096

Wire Rack

Includes attachments for mounting to cabinets on both sides

30 Chrome	6099980
30 White	6099982
30 Black	6099981
36 Chrome	6095087
36 White	6095089
36 Black	6095088

36 wire racks include attachments for mounting to cabinets on both sides. 30 wire racks include attachments for mounting to the wall as these racks are not wide enough to reach the cabinets. If you are installing a 36 wire rack without cabinets on either side for mounting the rack, you must purchase the **Wire Rack Hanger Kit**.

Wire Rack Hanger Kit (when necessary, for 36 models only)

For mounting wire rack to back wall if there are no cabinets to attach rack to.

Chrome	6099920
White	6099921
Black	6099922

High Ceiling Chimney Kit

One 40" upper chimney to replace 20" upper chimney that came with hood

Stainless	6097005
White	6097006
Black	6097007

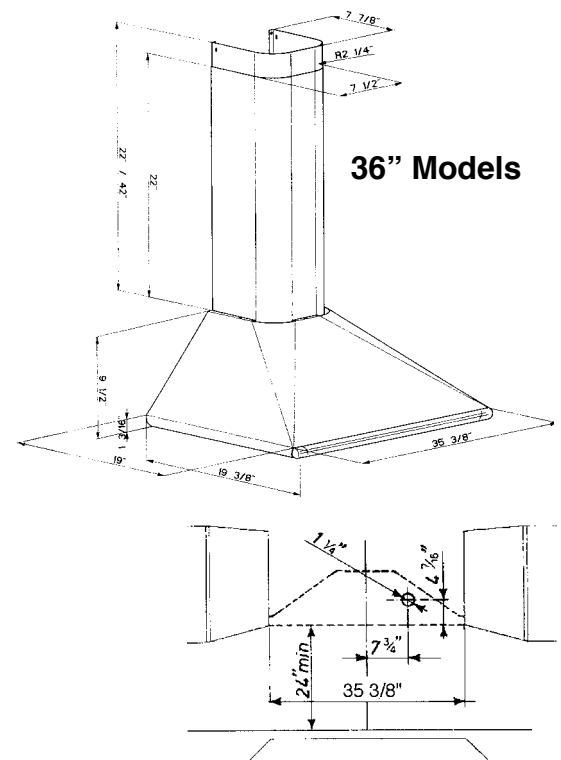
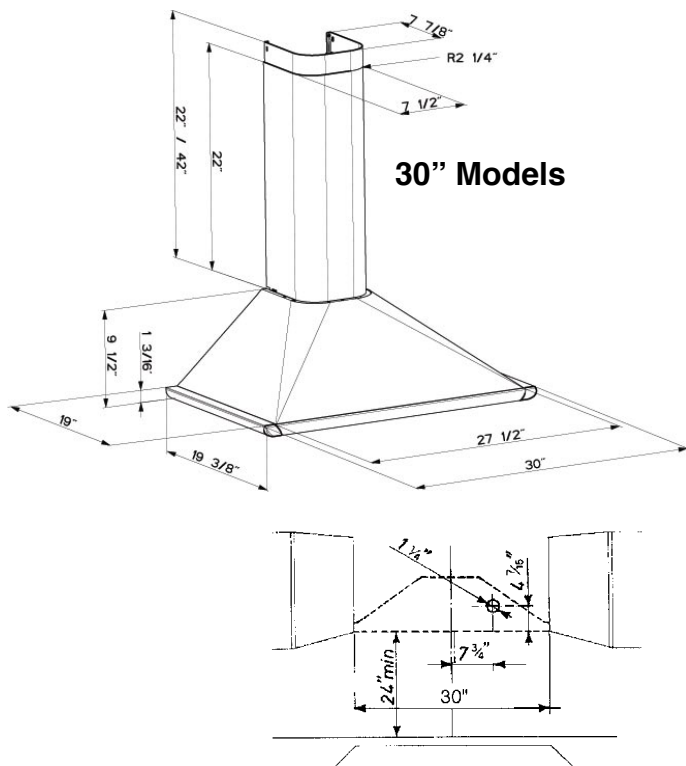
Ductless Conversion Kit

Includes: • Lower Chimney with holes for ducting • Ductless Diverter • Vent Grates • Two Charcoal Filters

Stainless	6097340
White	6097342
Black	6097341

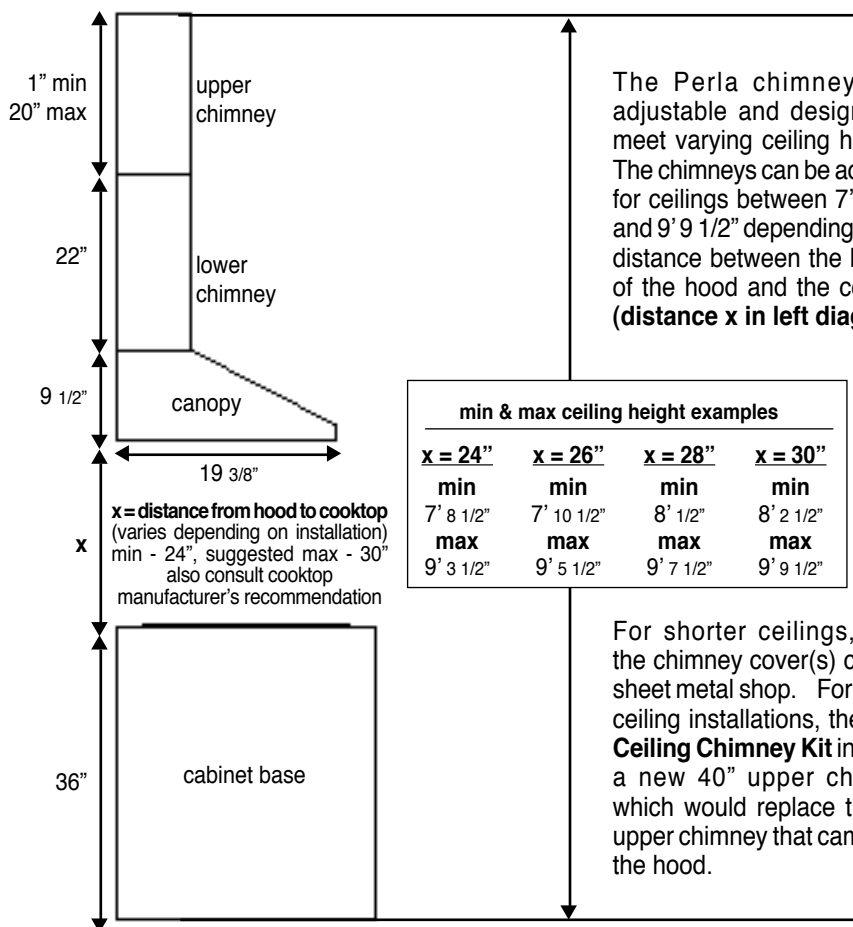
Replacement Charcoal Filters 6093034

Dimensional Diagrams & Electrical Knockouts



Pre-Planning Your Installation - Important: Consult the installation instructions before you begin installing this rangehood.

Pre-Planning Your Ductwork - Important: Consult the installation instructions before you begin installing this rangehood.

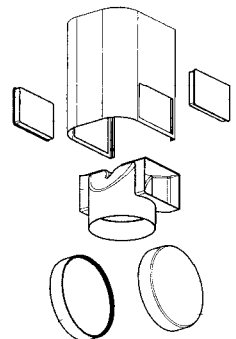


Make your ductrun as straight and short as possible. The ductrun should not exceed 35 equivalent feet if ducted with the required minimum of 6" round ductwork. Count 45° angles as 3 feet, 90° elbows as 5 feet, and 90° flat elbows as 12 feet.

For best results, use no more than three 90° elbows. Make sure that there is a minimum of 24" of straight duct between elbows if more than one is used. Do not install two elbows together. If you must elbow right away, do it as far away from the hood's exhaust opening as possible.

Ductless Installations

For installations where ductwork is impossible or highly impractical, a **Ductless Conversion Kit** is available. Charcoal filters, which attach to the blower assembly, absorb smoke and odors. A ductless diverter directs the air out to a lower chimney with vent grates cut into the sides.



WARNING! Product specifications are subject to change without notification. Consult the installation instructions before you begin installing this rangehood.