

INSTALLATION MANUAL

For Thermador Professional®
PRO-HARMONY™ Dual Fuel Ranges

Models/
Modèles /
PRD30
PRD36
PRD48

MANUEL D'INSTALLATION

Pour toutes les cuisinières mixtes
Thermador Professional® PRO-HARMONY™

Thermador® | *An American Icon*™

Table of Contents

Safety Instructions	1
Important Safety Instructions	1
Important Installation Information	2
Step 1: Ventilation Requirements	3
Step 2: Cabinet Preparation	5
Step 3: Unpacking, Moving and Placing the Range	10
Step 4: Installing Anti-Tip Device	12
Step 5: Gas Requirements and Hookup	15
Step 6: Electrical Requirements, Connection & Grounding	17
Step 7: Backguard Installation	22
Step 8: Door Removal and Reinstallation	24
Step 9: Burner Test and Adjustment	25
Installer Checklist	27
To Clean and Protect Exterior Surfaces	29

This Thermador Appliance is made by
BSH Home Appliances Corporation
5551 McFadden Ave.
Huntington Beach, CA 92649

Questions?

1-800-735-4328

www.thermador.com

We look forward to hearing from you!

For Massachusetts Installations:

1. Installation must be performed by a qualified or licensed contractor, plumber or gas fitter qualified or licensed by the state, province or region where this appliance is being installed.
2. Shut-off valve must be a "T" handle gas cock.
3. Flexible gas connector must not be longer than 36 inches.



WARNING

If the information in this manual is not followed exactly, a fire or explosion may result causing property damage, personal injury or death.

- Do not store or use gasoline or other flammable vapors and liquids in the vicinity of this or any other appliance.
- **WHAT TO DO IF YOU SMELL GAS**
 - Do not try to light any appliance.
 - Do not touch any electrical switch.
 - Do not use any phone in your building.
 - Immediately call your gas supplier from a neighbor's phone. Follow the gas supplier's instructions.
 - If you cannot reach your gas supplier, call the fire department.
- Installation and service must be performed by a qualified installer, service agency or the gas supplier.



WARNING

- All Ranges can tip
- Injury to Persons could result
- Install Anti-Tip Device
- See Installation Instructions



TO REDUCE THE RISK OF TIPPING OF THE APPLIANCE, IT MUST BE SECURED BY A PROPERLY INSTALLED ANTI-TIP DEVICE. VERIFY THAT THE ANTI-TIP DEVICE IS ENGAGED PER INSTALLATION INSTRUCTIONS. (NOTE: ANTI-TIP DEVICE IS REQUIRED ON ALL 30" AND 36" RANGES).

Safety Instructions



Important Safety Instructions

READ AND SAVE THESE INSTRUCTIONS

APPROVED FOR ALL RESIDENTIAL APPLIANCES

FOR RESIDENTIAL USE ONLY

IMPORTANT: Save these Instructions for the Local Electrical and Gas Inspectors' use.

INSTALLER: Please leave these Instructions with this unit for the owner.

OWNER: Please retain these instructions for future reference.



WARNING

Disconnect power before installing. Before turning power ON, be sure that all controls are in the OFF position.

Important: Local codes vary. Installation, gas connections and grounding must comply with all applicable codes.



WARNING

Do not use a flame of any kind to check for gas leaks.

Disconnect power before installing. Before turning power ON, be sure that all controls are in the OFF position.

Note: This Range is **NOT** designed for installation in manufactured (mobile) homes or for installation in Recreational Park Trailers.

Do Not install this range outdoors.

Important Installation Information

GAS type verification

Verify the type of gas supplied to the location. Ensure that the appliance is connected to the type of gas for which it is certified. All models are certified for use with natural gas. Field conversion of the appliance for use with propane gas supply will require a conversion kit.



WARNING

To avoid possible burn or fire hazard, a backguard designed specifically for this range must be installed whenever the range is used.

Refer to “Chart C: Backguard Kit Model Numbers” on page 23, for the correct backguard models that are designed for this range. After selecting the correct backguard, the range must be installed properly, using the minimum clearances to combustibles surfaces specified in the Cabinet Preparation instructions on Page 5.

- Important:**
- A backguard must be utilized when there is less than a 12” horizontal clearance between combustibles materials and the back edge of the range. A Thermador backguard must be ordered separately and installed at the rear of the range (A Low Back is supplied with 30" model). For island installations and other installations with more than 12” clearance, an optional stainless steel Island Trim is available to cover the backguard mounting flanges.
 - Verify that the appliance is correct for the type of gas being provided. Refer to “Step 5: Gas Requirements and Hookup” on page 15 before proceeding with the installation.

This appliance has been tested in accordance with ANSI Z21.1, Standard for Household Cooking Appliances (USA) and in accordance with CAN 1.1-M81 Domestic Gas Ranges (Canadian).

It is strongly recommended that this appliance be installed in conjunction with a suitable **overhead vent hood**. (See “Step 1: Ventilation Requirements” on page 3.) Due to the high heat capability of this unit, particular attention should be paid to the hood and duct work installation to assure it meets local building codes.

Check local building codes for the proper method of appliance installation. Local codes vary. Installation, electrical connections and grounding must comply with all applicable codes. In the absence of local codes the appliance should be installed in accordance with the National Fuel Gas Code ANSI Z223.1/NFPA 54 current issue and National Electrical Code ANSI/NFPA 70-current issue. In Canada, installation must be in accordance with the CAN 1-B149.1 and .2 – Installation Codes for Gas Burning Appliances and/or local codes.

Gas Supply:

Natural Gas – 6 inch water column. (14.9 mb) min., 14 inch (34.9 mb) maximum

Propane Gas – 11 inch water column. (27.4 mb) min., 14 inch (34.9 mb) maximum

Electric Power Supply:

(See Page 17 for specifications.)



CAUTION

When connecting the unit to propane gas, make certain the propane gas tank is equipped with its own high-pressure regulator in addition to the pressure regulator supplied with the range. **The maximum gas pressure to this appliance must not exceed 14.0 inches water column (34.9 mb) from the propane gas tank to the pressure regulator.**



CAUTION

This unit is designed as a cooking appliance. Based on safety considerations, never use it for warming or heating a room.

This appliance complies with one or more of the following standards:

- UL 858, Standard for the Safety of Household Electric Ranges
- UL 923, Standard for the Safety of Microwave Cooking Appliances
- UL 507, Standard for the Safety of Electric Fans
- ANSI Z21.1, American National Standard for Household Cooking Gas Appliances
- CAN/CSA-C22.2 No. 113-M1984 Fans and Ventilators
- CAN/CSA-C22.2 No. 61-M89 Household Cooking Ranges

It is the responsibility of the owner and the installer to determine if additional requirements and/or standards apply to specific installations.

Due to the high heat of the cooktop burners, installing a microwave oven with a ventilation system over the cooktop is not recommended.



CAUTION

To eliminate risk of burns or fire caused by reaching over heated surface units, cabinet storage located above the surface units should be avoided.

Step 1: Ventilation Requirements

It is strongly recommended that a suitable exhaust hood be installed above the range. Downdraft ventilation should not be used. The Table on page 5 indicates the ventilation hood options and blower capacity guidelines that are recommended for use with all Thermador ranges.

1. Select Hood and Blower Models:
 - For wall installations, the hood width must, at a minimum, equal the width of the range cooking surface. Where space permits, a hood larger in width than the cooking surface may be desirable for improved ventilation performance.
 - For island installations, the hood width should overhang the range cooking surface by a minimum of 3" on each side.

Important: Ventilation hoods and blowers are designed for use with single wall ducting. However, some local building codes or inspectors may require double wall ducting. Consult local building codes and/or local agencies, before starting, to assure that hood and duct installation will meet local requirements.

Do not install a microwave oven/ventilator combination above the range, as these type of units do not provide the proper ventilation and are not suitable for use with the range.

2. Hood Placement:
 - For best smoke elimination, the lower edge of the hood should be installed 36" above the range cooking surface. (See Figure 1).
 - If the hood contains any combustible materials (i.e. a wood covering), it must be a minimum of 40" above the cooking surface.
3. Consider Make-Up Air:
 - Due to the high volume of ventilation air, a source of outside replacement air is recommended. This is particularly important for tightly sealed and insulated homes.
 - A qualified heating and ventilating contractor should be consulted.

Range Width	Range Top Configuration	Minimum Recommended Blower Capacity*	Ventilation Options
30"	4 burners	600 CFM	36" Chimney Hood w/ optional blower 30" or 36" Pro Wall Hood 30" or 36" Custom Insert w/ optional blower 42" Island Hood w/ optional blower
36"	4 burners w/ grill or griddle	800 CFM	36" or 42" Chimney Hood w/ optional blower 36" or 42" Pro Wall Hood 36" Custom Insert w/ optional blower 42" Island Hood w/ optional blower
	6 burners	900 CFM	
48"	4 burners w/ grill-griddle combo or 24" griddle	1000 CFM	48" Chimney Hood w/ optional blower 48" or 54" Pro Wall Hood 48" Custom Insert w/ optional blower 54" Island Hood w/ optional blower
	6 burners w/ grill or griddle	1100 CFM	

Important Notes:

- It is recommended that a Thermador Professional wall or island hood or custom insert is used with Thermador Professional Ranges.
- Refer to www.thermador.com for a complete selection of Professional Ventilation options, Blowers, and Accessories.
- * For high output gas ranges (60,000 BTU or greater), the minimum of one (1) CFM of ventilation per 100 BTU is recommended. If the range has a grill or griddle, add 200 CFM to the estimated blower capacity. Additional blower capacity may be required for longer duct runs.
- For island applications, it is recommended to use a hood width that exceeds the width of the range by 6" (overlapping the range by a minimum of 3" on each end).
- CFM = "cubic feet per minute" (standard blower capacity rating).

Step 2: Cabinet Preparation

1. The range is a free standing unit. If the unit is to be placed adjacent to cabinets, the clearances shown in Figure 1 are required. The same clearances apply to island installations, except for the overhead cabinets, which must have a space wide enough to accept the flared island hood, as indicated in Figure 1.
2. These ranges may be recessed into the cabinets beyond the edge of the front face of the oven (See Figure 2a and Figure 2b).



CAUTION

In these installations, the door and cabinet can cause a pinching hazard.

3. The gas and electrical supply should be within the zones shown in Figure 3a.

Note: The maximum depth of over head cabinets installed on either side of the hood is 13".

A 40-inch minimum clearance is required between the top of the cooking surface and the bottom of an unprotected cabinet. A 36-inch distance can be used when the bottom of the wood or metal cabinet is protected by not less than 1/4 inch of a flame retardant material covered with not less than No. 28 MSG sheet steel, 0.015 inch (0.4 mm) thick stainless steel, 0.024 inch (0.6 mm) aluminum, or 0.020 inch (0.5 mm) thick copper. Flame retardant materials bear the mark:

UNDERWRITERS LABORATORIES INC. CLASSIFIED MINERAL AND FIBER BOARDS SURFACE BURNING CHARACTERISTICS

Followed by the flame spread and smoke ratings. These designations are shown as "FHC (Flame Spread/Smoke Developed)." Materials with "O" flame spread ratings are flame retardant. Local codes may allow other flame spread ratings.

4. Any openings in the wall behind the range and in the floor under the range must be sealed.
5. When there is less than a 12" horizontal clearance between combustible material Δ and the back edge of the range above the cooking surface, a Thermador Low Back or Pot and Pan Shelf must be installed. (See Figure 2a). When clearance to combustible material Δ is over 12", a Thermador Island Trim may be used. (See Figure 2b). Figures 2a and 2b indicate the space required for each type of backguard.
6. Always keep appliance area clear and free from combustible materials, gasoline and other flammable vapors and liquids.
7. Do not obstruct the flow of combustion and ventilation air to the unit.
8. A (4) inch minimum clearance is needed when the range is installed beside a combustible side wall.

Δ As defined in the "National Fuel Gas Code" (ANSI Z223.1, Current Edition).

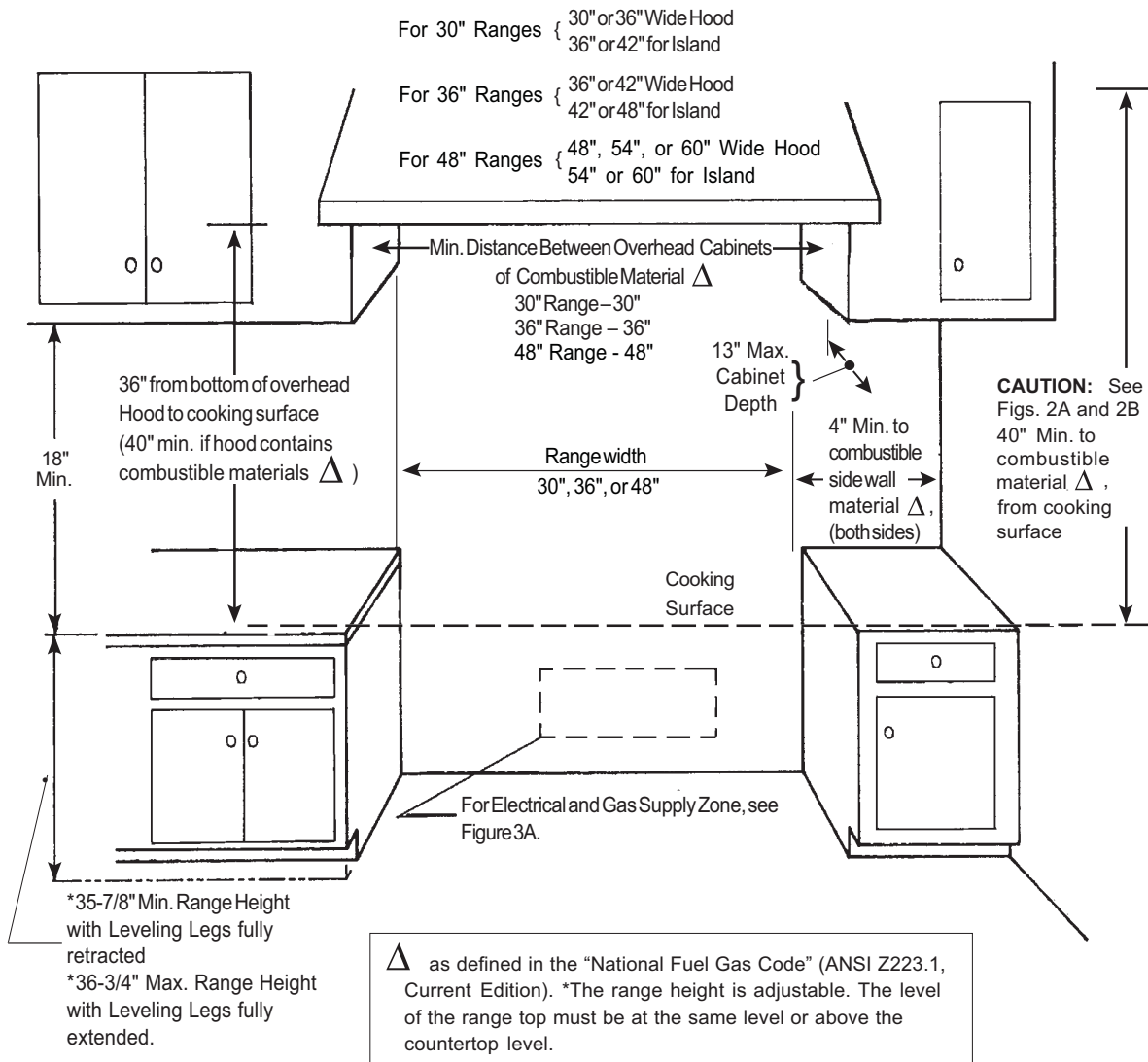


Figure 1: Cabinet Clearances

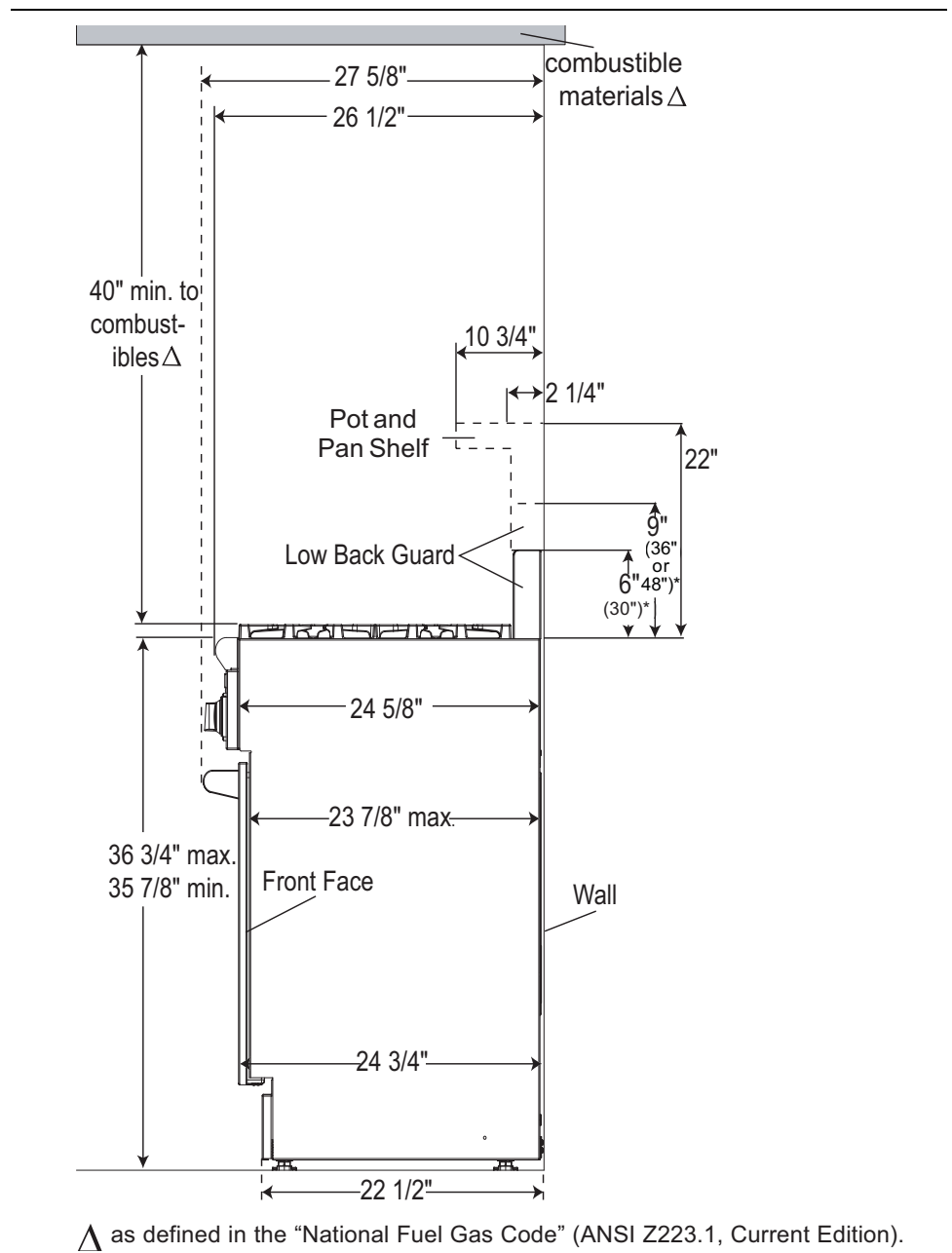
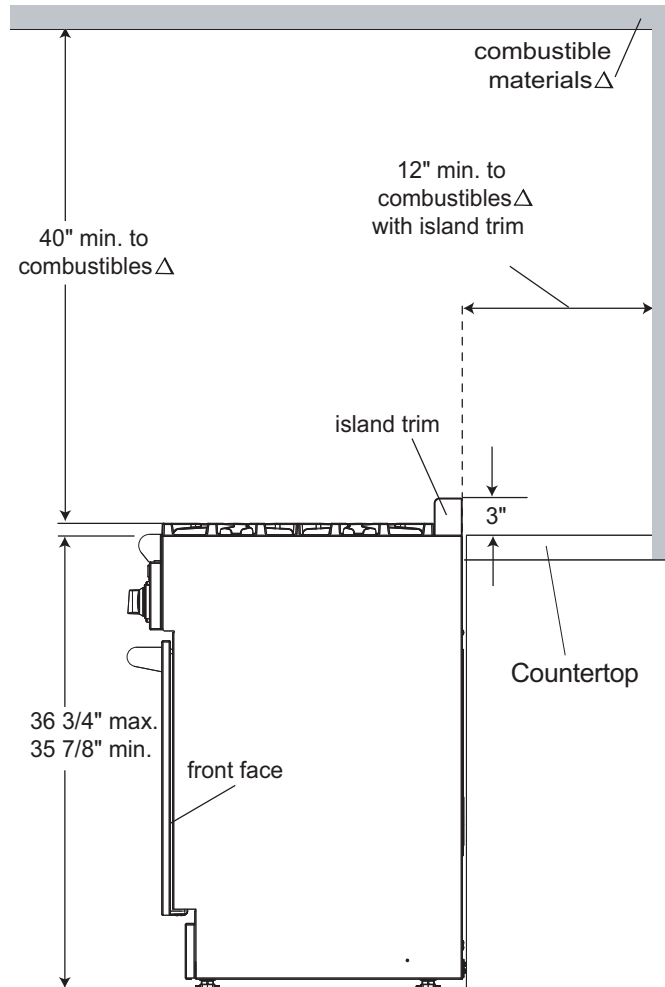


Figure 2a: Side View

Note: With the oven door fully open, the top of the door extends to 44-5/8" from the back wall, behind the range when installed. Installation must allow ample clearance for movement around the door when fully opened.

* Refers to 30", 36" and 48" range models.

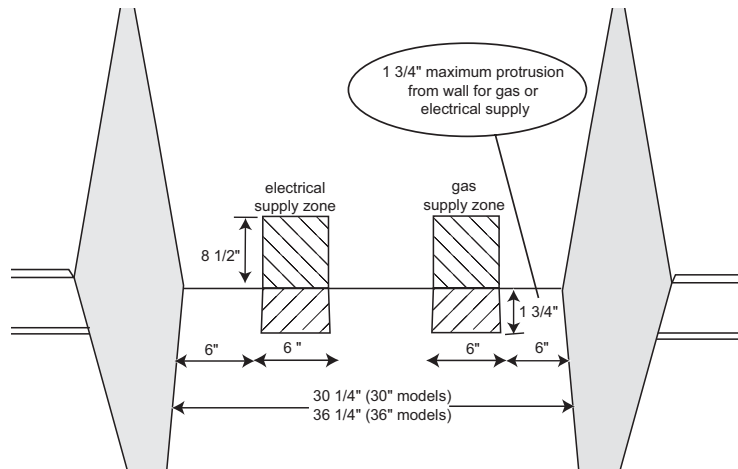


Δ as defined in the "National Fuel Gas Code" (ANSI Z223.1, Current Edition).

Figure 2b: Side View

Note: With the oven door fully open, the top of the door extends to 44 $\frac{5}{8}$ " from the back wall, behind the range when installed. Installation must allow ample clearance for movement around the door when fully open.

Gas & Electrical Supply Locations for 30" and 36" Dual Fuel Ranges



Gas & Electrical Supply Locations for 48" Dual Fuel Ranges

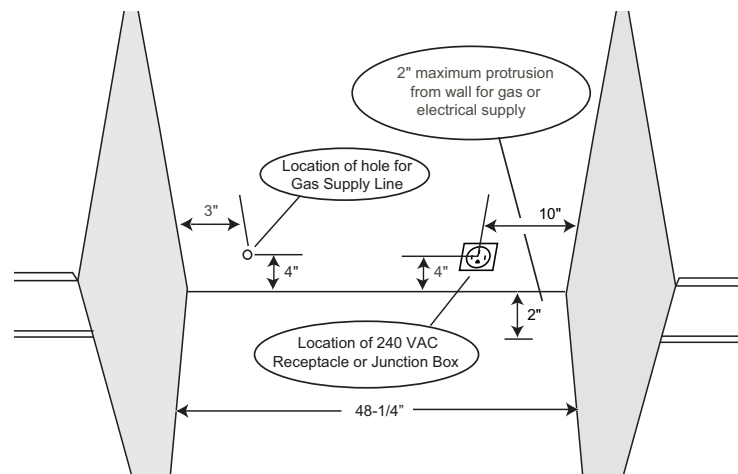


Figure 3a: Gas & Electrical Supply Locations for Dual Fuel Ranges

- Note:** If not already present, install gas shut-off valve in an easily accessible location. Make sure all users know where and how to shut off the gas supply to the range.
- Note:** The installer should inform the consumer of the location of the gas shut-off valve.
- Note:** Any opening in the wall behind the appliance and any opening in the floor under the appliance must be sealed.

The dual fuel ranges may be connected to the power supply with a range supply cord kit or by hard-wiring to the power supply. It is the responsibility of the installer to provide the proper wiring components (cord or conduit and wires) and complete the electrical connection as dictated by local codes and ordinances, and/or the National Electric Code. The units must be properly grounded. Refer to Step 6 for details. Canadian models have power cord supplied.

The range must be connected only to the type of gas for which it is certified. If the range is to be connected to propane gas, ensure that the propane gas supply tank is equipped with its own high pressure regulator in addition to the pressure regulator supplied with the range. (See Step 5.)

Note: The range is designed for flush installation to the back wall. For a successful installation, it may be necessary to reposition the gas-supply line and electrical cord as the range is pushed back to its final position. **SUGGESTION: This may be accomplished by carefully pulling on a rope or twine looped around the gas or electrical supply line as the range is pushed back into its final installed position.**

Electrical Supply

Installation of the range must be planned so that rough-in of junction box for the receptacle or conduit connection will allow maximum clearance to the rear of the unit.

When the power supply cord or conduit is connected to the mating receptacle or junction box cover, the combined plug/receptacle or junction box cover/conduit connector should protrude no more than 1 3/4" from the rear wall for 30" and 36" Ranges; 2" maximum protrusion from the rear wall for 48" Ranges. See Figure 3b.

Refer to Figure 9 on Page 19 for location of junction box on unit. To minimize binding when the unit is connected to the receptacle or junction box, orient the receptacle or conduit connector, and slide back into position.

Note: Canadian models have power cord supplied with range.

Note: When using a 240VAC receptacle having its own housing, it will be necessary to recess the receptacle's housing into the rear wall. Mount the receptacle securely to a wall stud, then seal around the receptacle's housing. Follow all local electrical codes.

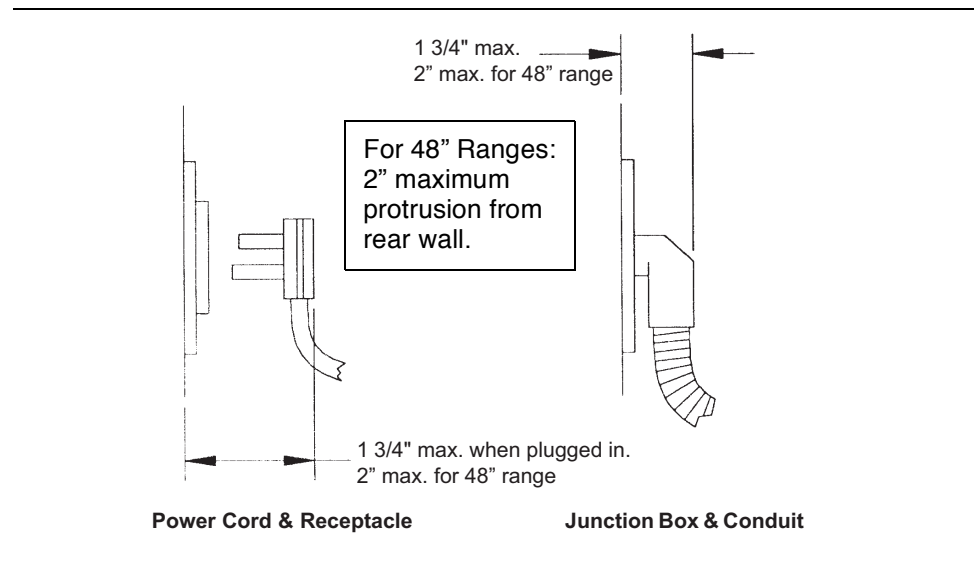


Figure 3b: Wall Connection

Step 3: Unpacking, Moving and Placing the Range



CAUTION

Proper equipment and adequate manpower must be used in moving the range to avoid injury, and to avoid damage to the unit or the floor. The unit is heavy and should be handled accordingly.

- The range has an approximate shipping weight as shown in Chart A. It is recommended that the grates, griddle/grill plate and frame, burner caps, front kick panel and oven racks be removed to facilitate handling. This will reduce the

weight as shown in Chart A and allow the range to pass through 30" doorways. See Figure 2a and Figure 2b on Page 7 and Page 8. **Do not remove the grill or griddle assemblies.**

- Remove the outer carton and packing material from the shipping base. The dual fuel ranges are held to the pallet by four (4) bolts (see Figure 4). After removing the bolts, the range must be lifted and removed from the pallet.

Important: DO NOT lift the range by the oven door handle, as this may damage the door hinges and cause the door to fit incorrectly to the oven cavity.

Chart A	30" Range	36" Range	48" Range
Shipping Weight	351 lbs.	371 lbs.	499 lbs.
Weight without packing materials	228 lbs.	270 lbs.	403 lbs.
Without doors, burner caps, front kick panel and oven racks	185 lbs.	221 lbs.	318 lbs.

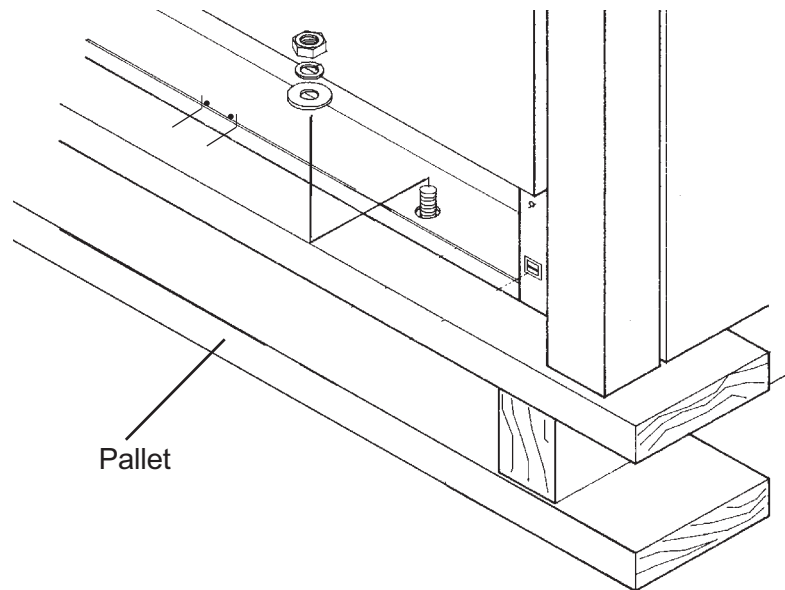


Figure 4: Removal of the Four (4) Shipping Bolts

Note: Leave adhesive-backed foam layer over brushed-metal surfaces, to protect finish from scratches, until the range is installed in final position.

- Due to the weight, a dolly with soft wheels should be used to move this unit. The weight must be supported uniformly across the bottom (See Figure 5).
- After transporting the range by dolly close to its final location, the range can be tipped back and supported on the rear legs while the dolly is carefully removed. **THE FLOOR UNDER THE LEGS SHOULD BE PROTECTED BEFORE PUSHING THE UNIT INTO POSITION.** The anti-tip device must be installed (Step 4), gas and electrical connections should be made (Step 5 and Step 6), and the backguard installed (Step 7) before the range is placed in its final position.
- For proper performance, the **range must be level.** (It is very important for all products that have the griddle or grill feature.) The range is leveled by adjusting the legs with a wrench.
- Replace the kick panel. **It is important that the screws retaining the kick panel are secure to prevent accidental access to hot surfaces.**

- Ensure that the burner caps are correctly seated on the burner bases of the range's cooktop.

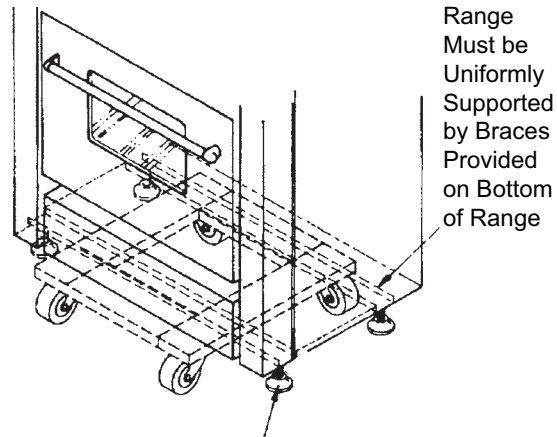


Figure 5: Dolly Positioning

- Remove all tape and packaging before using the appliance. Destroy the packaging after unpacking the appliance. Never allow children to play with packaging material.

Important: DO NOT lift the range by the oven door handle, as this may damage the door hinges and cause the door to fit incorrectly to the oven cavity.

Grill/Griddle Tilt Adjustment (Not All Models)

If the range is equipped with an electric griddle or gas grill, check the grill/griddle frame adjustment by pouring two tablespoons of water on the back of the griddle or grill plate. The water should slowly roll into the grease tray. If not, adjust the two screws under the back of the frame. Start with one half turn counterclockwise (CCW) of the screws. Further adjustment should be made by one-quarter turn until water slowly flows into the grease tray.

Step 4: Installing Anti-Tip Device

For 30" and 36" ranges, an anti-tip device must be installed as per these instructions.



WARNING - RANGE TIPPING HAZARD

- All ranges can tip and injury can result. To prevent accidental tipping of the range, attach it to the floor, wall or cabinet by installing the Anti-Tip Device supplied.
- A risk of tip-over may exist if the appliance is not installed in accordance with these instructions.
- If the range is pulled away from the wall for cleaning, service or any other reason, ensure that the Anti-Tip Device is properly reengaged when the range is pushed back against the wall. In the event of abnormal usage (such as a person standing, sitting, or leaning on an open door), failure to take this precaution can result in tipping of the range. Personal injury might result from spilled hot liquids or from the range itself.



WARNING - ELECTRICAL SHOCK HAZARD

- Use extreme caution when drilling holes into the wall or floor. There may be concealed electrical wires located behind the wall or under the floor.
- Identify the electrical circuits that could be affected by the installation of the Anti-Tip Device, then turn off power to these circuits.
- Failure to follow these instructions may result in electrical shock or other personal injury.



WARNING

- All Ranges can tip
- Injury to Persons could result
- Install Anti-Tip Device Packed with Range
- See Installation Instructions

ATTENTION - PROPERTY DAMAGE

- Contact a qualified installer or contractor to determine the proper method for drilling holes through the wall or floor material (such as ceramic tile, hardwood, etc.)
- Do not slide the range across an unprotected floor.
- Failure to follow these instructions may result in damage to wall or floor coverings.

Tools Needed for Installation of Anti-Tip Device:

- Screwdriver, Phillips
- Drill, electric or hand
- Measuring tape or ruler
- 1/8" drill bit (wood or metal wall or floor)
- Hammer
- Pencil or other marker
- 3/16" carbide-tipped masonry drill bit (concrete or concrete block wall or floor)
- 3/16" anchors, drywall or concrete, 4 each (not required if mounting bracket is being attached to solid wood or metal)

For 30" and 36" Dual Fuel Ranges (Figure 6 and Figure 7)

Thermador Service Part No.	Qty	Description
415078	4	Screw, Phillips, #10 x 1-1/2"
427338	1	Anti-Tip Bracket, Floor-Mounted

Important Installation Information:

- The anti-tip bracket may be attached to a solid wood cabinet having a minimum wall thickness of 3/4".
- The thickness of the wall or floor may require use of longer screws, available at your local hardware store.
- In all cases, at least two (2) of the bracket mounting screws must be fastened to solid wood or metal.

- Use appropriate anchors when fastening the mounting bracket to any material other than hard-wood or metal.
- Prepare holes at fastener locations as identified below:

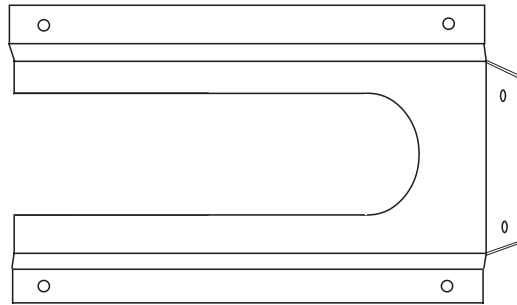


Figure 6: Mounting Anti-tip Bracket

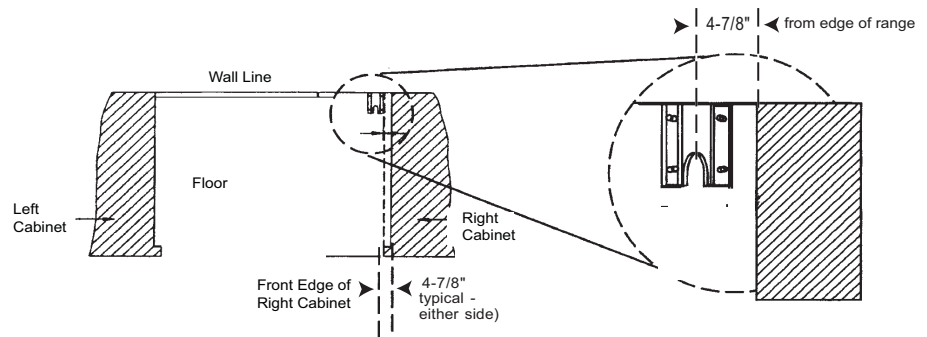


Figure 7: Placement of Anti-tip Bracket (Top View)

- For walls, wall studs, or floors composed of solid wood or metal, drill 1/8" pilot holes.
- For walls or floors composed of drywall, sheet-rock or other soft materials, drill 3/16" holes to a minimum depth of 1-3/4", then tap plastic anchors into each of the holes using a hammer.
- For walls or floors composed of concrete or concrete block, drill 3/16" holes to a minimum depth of 1-3/4", then tap concrete anchors into each of the holes using a hammer.
- For walls or floors having ceramic tile covering, drill 3/16" holes through the tile only, then drill into the material behind the tile as indicated immediately above.
- If the range is moved to a new location, the Anti-Tip Device must be removed and reinstalled.

Mounting Anti-Tip Bracket The alternative floor mounted bracket shall be installed as follows:

1. Place bracket on floor in position shown in Figure 7 (Bracket may be used in either corner of the installation area).
2. Secure to floor or wall stud.
3. Later, when the unit is installed, the adjustable leg will slide under the bracket.

Step 5: Gas Requirements and Hookup

Verify the type of gas being used at the installation site. **The appliance is shipped from the factory for use with natural gas. It must be converted for use with propane. A qualified technician or installer must do the conversion.** Make certain the range matches the type of gas available at this location.

For installation of the appliance at high altitude, please consult your local gas company for their recommendation of the correct orifice sizes and any other necessary adjustments that will provide proper gas combustion at specified altitudes.

The field conversion kit for this series of Dual Fuel Ranges is Thermador Model PLPKIT. Obey all instructions in PLPKIT for correct conversion of the gas regulator and settings for the gas valves.

This appliance has been CSA certified for safe operation up to an elevation of 10,200 ft. without any modifications. Exception: For use with propane, the appliance must be converted per the LP conversion instructions.



CAUTION

When connecting unit to propane gas, make certain the propane gas tank is equipped with its own high pressure regulator in addition to the pressure regulator supplied with the appliance. The pressure of the gas supplied to the appliance regulator must not exceed 14" (34.9 mb) water column.

Natural Gas Requirements:

Inlet Connection:	1/2" NPT internal (Minimum 3/4" dia. flex line)
Supply Pressure:	6" min. to 14" max. water column (14.9 to 34.9 mb)
Manifold Pressure:	5" water column (12.5 mb)

Propane Gas Requirements:

Inlet Connection:	1/2" NPT internal (Minimum 3/4" dia. flex line)
Supply Pressure:	11" min. to 14" max. water column (27.4 mb to 34.9 mb)
Manifold Pressure:	10" water column (24.9 mb)



WARNING

Gas line must not come in contact with any components inside back cover of range. Run gas line in channel in back of range.

Hook Up

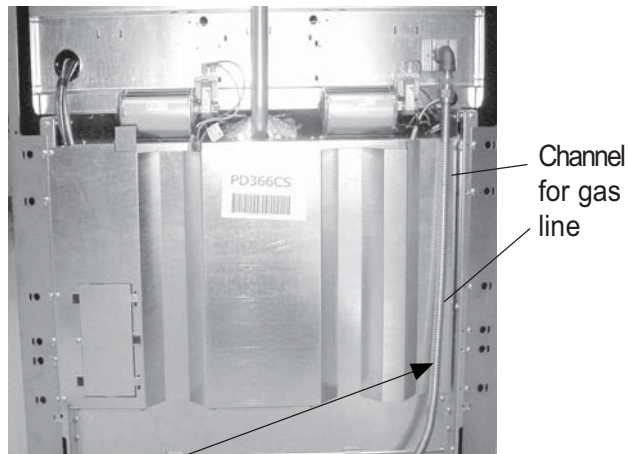
- A manual gas shut-off valve must be installed external to the appliance, in a location accessible from the front, for the purpose of shutting off the gas supply. The supply line must not interfere with the back of the unit. Make sure the gas supply is turned off at the manual shut-off valve before connecting the appliance.
- The range is supplied with its own pressure regulator that has been permanently mounted within the range body.

- Use 3/4" flex line to connect between the gas supply and the appliance manifold pipe, which exits the upper rear of the appliance on 30" and 36" ranges. (See Photo A: The gas supply line connection is located at the lower right portion of 48" range models. (See Figure 8). The appliance manifold pipe connection is 1/2" NPT. Use caution to avoid crimping the 3/4" flex line when making bends. Suggested length of flex line is 48"; however, please check local codes for your area's requirements before installation.
- The gas supply connections shall be made by a competent technician and in accordance with local codes or ordinances. In the absence of local codes, the installation must conform to the National Fuel Gas Code ANSI Z223.1/NFPA54-current issue.
- Always use pipe sealing compound or Teflon® tape on the pipe threads, and be careful not to apply excessive pressure when tightening the fittings.
- Leak testing of the appliance shall be in accordance with the following instructions.
 - Turn on gas and check supply line connections for leaks using a soap and water solution.
 - Bubbles forming indicate a gas leak. Repair all leaks immediately after finding them.



WARNING

Do not use a flame of any kind to check for gas leaks.



Use 3/4" flex line to connect between the gas supply and the appliance manifold pipe.

Photo A: Appliance Manifold Pipe Connection

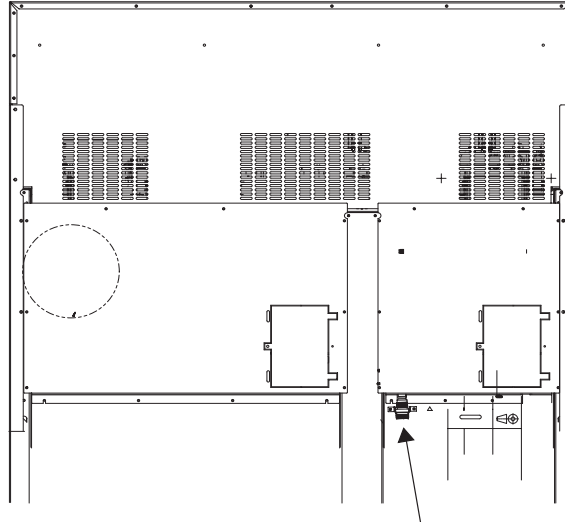


Figure 8: Location of Gas Supply Inlet Connection on 48" Ranges

Step 6: Electrical Requirements, Connection & Grounding

- Prior to servicing appliance, always disconnect appliance electrical supply cord, if so equipped, from wall receptacle. If appliance is hard-wired to power supply, disconnect power to unit by turning off the proper circuit breaker or disconnecting the proper fuse. Lock service panel to prevent power from being turned ON accidentally.

Dual Fuel range models can be connected or hardwired to the power supply as described on Page 19.

Chart B: Electrical Supply Circuit Requirements				
MODEL TYPE	VOLTAGE	CIRCUIT RATING	FREQUENCY	PHASE
30"	240/208 VAC	35 Amps x 2 (35 Amps each line)	60 Hz.	Single
36"	240/208 VAC	35 Amps x 2 (35 Amps each line)	60 Hz.	Single
48"	240/208 VAC	50 Amps x 2 (50 Amps each line)	60 Hz.	Single

- A neutral supply wire must be provided from the power source (breaker/fuse panel) because critical range components, including the surface burner spark reignition module, require 120 VAC to operate safely and properly. An improper 120/ 240 VAC power supply will cause malfunction, damage this appliance, and possibly create a condition of shock hazard. If the correct power supply circuit is not provided, it is the responsibility and obligation of the installer and user to have proper power supply connected. This must be accomplished in accor-

dance with all applicable local codes and ordinances by a qualified electrician. In the absence of local codes and ordinances, the power supply connection shall be in accordance with the National Electric Code.

- Observe all governing codes and ordinances when grounding. In the absence of these codes or ordinances observe National Electrical Code ANSI/NFPA No. 70 current issue. See Page 20 for grounding method.
- Electrical wiring diagrams and schematics have been placed in the toe kick area of the range for access by a qualified service technician.
- The Dual Fuel Ranges may be connected to a 240/208 VAC power supply.



CAUTION

The appliance must be isolated from the gas supply piping system by closing its individual manual shut-off valve during any pressure testing of the gas supply piping system at test pressures equal to or less than 1/2 psig (3.5 kPa.).

The appliance and its individual shut off valve must be disconnected from the gas supply piping system during any pressure testing of the system at test pressures in excess of 1/2 psig (3.5 kPa.). When checking the manifold gas pressure, the inlet pressure to the regulator should be at least 6" W.C. (14.9 mb) for natural gas or 11" W.C. (27.4 mb) for propane.

Do not attempt any adjustment of the pressure regulator.

The range must be connected to the power supply utilizing one of the following methods. For all methods of connection, the length of the cord or conduit/wiring must allow the unit to be slid completely out of the cabinet without having to unplug or disconnect the unit from the power supply. Recommended minimum free length of cord or conduit is four feet. Electrical installations and grounding must be in accordance with all local codes and ordinances, and/or the National Electric Code, as applicable.

- **4-CONDUCTOR CORD - NORMALLY, A UNIT MUST BE CONNECTED TO THE POWER SUPPLY WITH A 3-POLE, 4-CONDUCTOR CORD KIT RATED 125/250 VOLTS, 50 AMPERES, AND MARKED FOR USE WITH RANGES.** The cord kit must be attached to the range junction box with a strain relief which will fit a 1" diameter hole. If not already equipped, the cord must have 1/4" faston closed-loop lugs attached to the free ends of the individual conductors, preferably soldered in place.
- **PERMANENT CONNECTION (HARD WIRING)** - Units may be hard wired to the power supply. The installer must provide approved flexible aluminum conduit, 3/4" trade size, maximum 6 feet long. Locate the junction box on the rear of the unit and remove cover. Refer to Figure 9. Remove the ground strap retaining screw and bend the ground strap up. Refer to Figure 11. The conduit must be installed to the junction box using an approved conduit connector.

Wiring for the unit is to be brought into the junction box through the conduit. The ends of the wiring must have 1/4" faston closed-loop lugs attached, preferably soldered in place. Make the connections to the terminal block provided. Secure the ground lead to the junction box with the screw previously used to secure the ground strap. Refer to Figure 12. The free end of the conduit must be connected to a junction box provided in the gas and electrical supply zone, as shown in Figure 3a on Page 9.

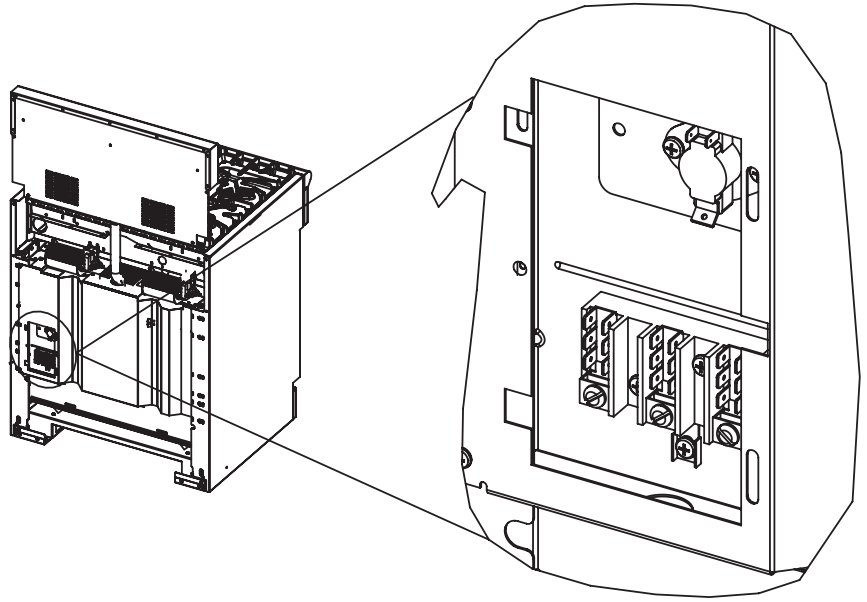
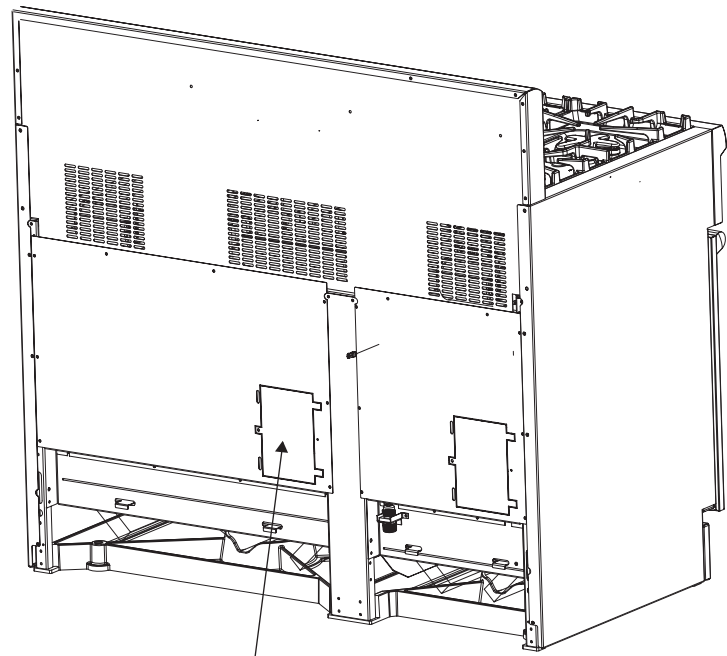


Figure 9: Location of Junction Box on 30" and 36" Ranges



Location of junction box on 48" Ranges

Figure 10: Location of Junction Box on 48" Ranges

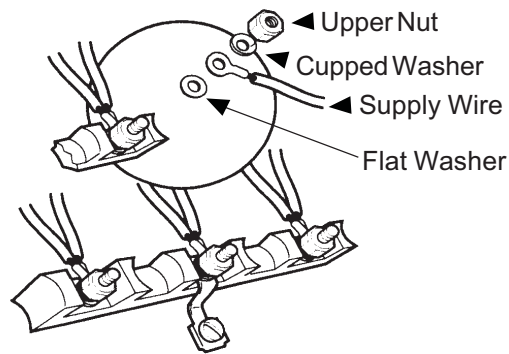


Figure 11: Conductor Securement

- **3-CONDUCTOR CORD** – WHERE LOCAL CODES AND ORDINANCES PERMIT GROUNDING THROUGH NEUTRAL, AND CONVERSION OF SUPPLY TO 4 WIRE IS IMPRACTICAL, UNIT MAY BE CONNECTED TO THE POWER SUPPLY WITH A 3-POLE, 3-CONDUCTOR CORD KIT RATED 125/250 VOLTS, 50 AMPERES, AND MARKED FOR USE WITH RANGES. The cord kit must be attached to the range junction box with a strain relief which will fit a 1" diameter hole. If not already equipped, the cord must have 1/4" faston closed-loop lugs attached to the free ends of the individual conductors, preferably soldered in place.

Installer - show the owner the location of the circuit breaker or fuse. Mark it for easy reference.

A 3- or 4-conductor supply may be connected to the terminal block.

3-Wire Lead Connection

1. Remove upper nuts only from the terminal block studs. **Do not remove nuts which secure range internal wiring leads.**
2. Secure the neutral, grounded wire of the supply circuit, to the center stud of the terminal block with nut. (See Figure 12).
3. Secure the L1 (black) and L2 (red) power leads to the outside terminal block studs (brass colored) with nuts.
4. Tighten nuts securely.

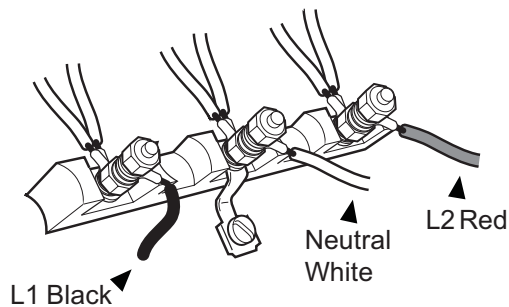


Figure 12: 3 Wire Connection

4-Wire Connection

1. Remove upper nuts only from the terminal block studs. **Do not remove lower nuts which secure range internal wiring leads.**
2. Remove ground strap screw and bend the strap up as shown in Figure 13.
3. Secure the neutral wire to the center stud of the terminal block with nut.

4. Secure the L1 (black) and L2 (red) power leads to the outside terminal studs (brass colored) with nuts.
5. Secure the bare copper ground lead to the range chassis using the ground screw previously used for the ground strap. Be sure that neutral and ground terminals do not touch.
6. Tighten all connections securely.

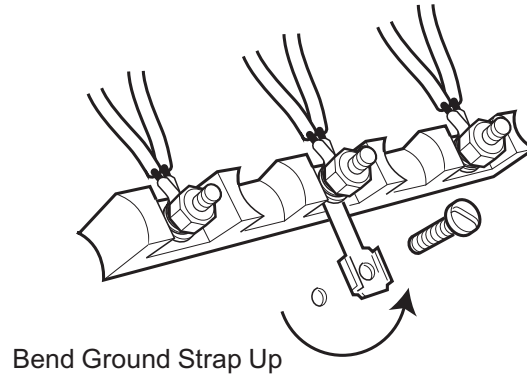


Figure 13: Ground Strap

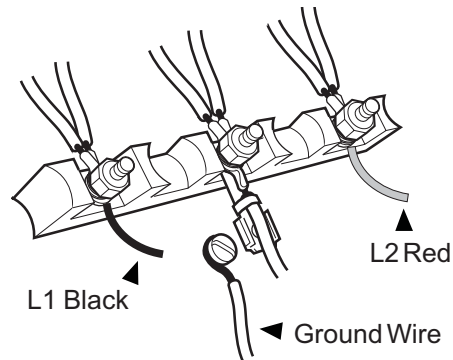


Figure 14: Secure Neutral Wire

Step 7: Backguard Installation

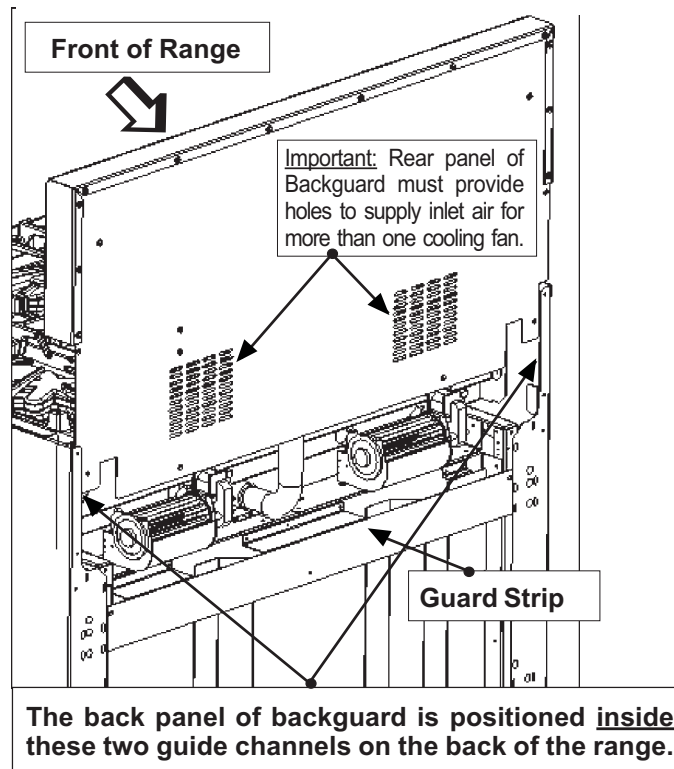


Figure 15: Backguard Positioning



WARNING

- To avoid possible burn or fire hazard, a backguard designed specifically for this range must be installed whenever the range is used.
- DO NOT attempt to install a Thermador "GP" Series Backguard, which has air holes in the back panel to supply (only) one cooling fan. [See above]

See [Chart C](#) for the correct size of Backguard Kit to match the range.

- The backguard must be attached before sliding the range into the final, installed position. A Low Back or Pot-and-Pan Shelf must be installed when there is less than 12" clearance from a combustible back wall and the back of the range above the cooking surface. SEE RANGE INSTALLATION MANUAL.
- An Island Trim is available for covering the backguard area of the range for island installations; however, the Island Trim can only be used where there is a minimum of 12" horizontal clearance between a combustible back wall and the back of the range.
- The backguard is inserted inside the guide channels on the back of the range, as shown in the illustration Figure 15. (Remove the griddle or grill assembly for sufficient installation clearance on these model ranges.)

Using a T-20 size Torx driver, fasten the backguard with four (4) Torx-head screws to the range side panels.

- The Pot-and-Pan Shelf models require pre-assembly of the top panel to the shell using nine (9) of the enclosed Torx-head screws. For sufficient load strength, YOU MUST attach two (2) screws through the back corners of the top down into the shell.

- Use three (3) Torx head screws to install the guard strip on the back of the range, as shown in the illustration. The strip is not needed on 48" ranges. The center of the strip may be supported by a tab from the back panel, and not require a screw.
- To secure the front of the back guard, install three (3) of the Torx head screws through the lower front panel of the backguard, into the flange at the back of the range's cooktop.
- The Pot-and-Pan Shelf models provide a shelf above the cooktop to keep foods hot or store cooking pans. OBSERVE CAUTIONS CONCERNING ITEMS PLACED ON TOP OF THE SHELF.



CAUTION

The Pot and Pan Shelf can get very hot!

DO NOT place the following items on top of the Pot and Pan Shelf:

- plastics or containers that can melt
- flammable items
- a total load over 30 pounds (13.6kg)

Chart C: Backguard Kit Model Numbers				
Model	6" Std. Low Back	9" Low Back	22" Pot and Pan Shelf	3" Island Trim
30"	Included with Range	N/A	PAD30EHSB	PAD30EITH
36"	N/A	PAD36ELBH	PAD36EHSB	PAD36EITH
48"	N/A	PAD48ELBH	PAD48EHSB	PAD48EITH

Step 8: Door Removal and Reinstallation



CAUTION

USE CAUTION WHEN REMOVING THE DOOR. THE DOOR IS VERY HEAVY.

- Make sure oven is cool and power to oven has been turned off before removing the door. Failure to do so could result in electrical shock or burns.
- The oven door is heavy and fragile. Use both hands to remove or replace the door.
- Grasp only the sides of the oven door when removing or replacing it.
- Failure to grasp the oven door firmly and properly could result in personal injury and product damage.
- With the door off, never release the levers and try to close the hinges. Without the weight of the door, the powerful springs will snap the hinges closed with great force.

To Remove the Oven Door:

1. Fully open the oven door.
2. Flip the hinge clip toward you (see Photo C: on page 25.)
3. Close the door until it stops (the open hinge clip will hold the door about halfway open).
4. Grasp the door on the sides. The door is heavy and fragile - always use both hands. Lift the door up and out (there will be some spring resistance to overcome). When the front of the door is high enough, you will be able to pull the door straight out.
5. Place the door in a safe and stable location.



Photo B: Hinge bracket in closed position

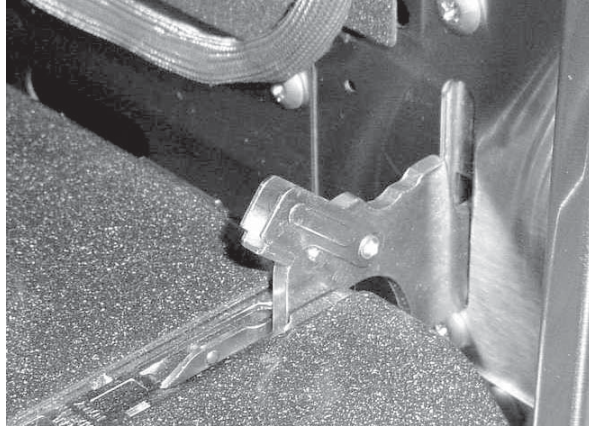


Photo C: Flip hinge clip toward you

To Reinstall the Oven Door:

1. Hold door on both sides. Insert hinges into hinge slots. The door will be about halfway open.
It may be necessary to press firmly inward on the lower portion of the door, using a rocking motion to fully seat the door's hinges.
2. Open door all the way to expose hinge clips. Push hinge clips away from you (toward the oven) until they meet the hinge.
3. Close and open the door slowly to test the installation. It should open and close smoothly and be straight, not crooked.

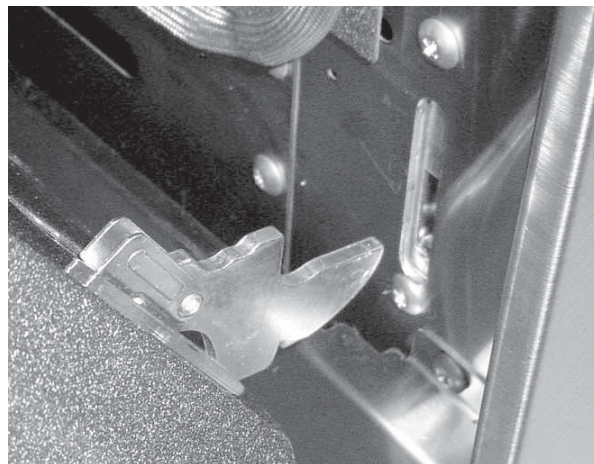


Photo D: Hinge removed from oven

Step 9: Burner Test and Adjustment

Install any loose components, such as burner caps and grates, that may have been removed earlier. Be certain that burner caps seat properly into the burner bases. Before testing operation of the appliance, verify that the unit and the gas supply have been carefully checked for leaks and that the unit has been connected to the electrical power supply. Turn the manual gas shut-off valve to the open position.

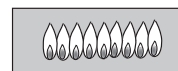
Test Rangetop Burners

Test Burner Ignition. Select a rangetop burner knob. Push in and turn counter-clockwise to HI. The ignitor/spark module will produce a clicking sound. Once the air has been purged from the supply lines, the burner should light within four (4) seconds.

Test Flame: High Setting. Turn burner on to HI. See Figure 16 for appropriate flame characteristics.

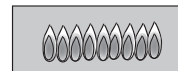
Yellow Flames:

Further adjustment is required.



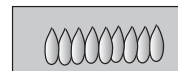
Yellow Tips on Outer Cones:

Normal for LP Gas.



Soft Blue Flames:

Normal for Natural Gas.



If the flame is completely or mostly yellow, verify that the regulator is set for the correct fuel. After adjustment, retest.

Some orange-colored streaking is normal during the initial start-up.

Allow unit to operate 4-5 minutes and re-evaluate before making adjustments.

Figure 16: Flame Characteristics

If any of the rangetop burners continue to burn mostly or completely yellow, verify that the burner cap is positioned properly on the burner base, then retest. If flame characteristics do not improve, call Thermador®.

Test Flame: Low Setting. Turn burner on to SIM. Verify that the flame completely surrounds the burner. There should be a flame at each burner port and there should be no air gap between the flame and the burner. If any burners do not carry over, call Thermador®.

The two rangetop burners on the left side feature XLO®, causing the flame to cycle on and off when the knob is set to the XLO range. This is normal operation.

Repeat the Ignition and Flame Test procedures, described above for each rangetop burner and the grill burner (if so equipped).

When Flame is Properly Adjusted:

There should be a flame at each burner port. There should be no air gap between the flame and burner port.

The gas grill uses a tube-style burner that has an air shutter which allows adjustment to the amount of primary air inside the burner tube.

Air shutters of tube-style burners are pre-adjusted at the factory, and usually do not require readjustment except under rare conditions such as installation at high altitude.

If grill burner/flame adjustment is required, go to the procedure: "Flame Adjustment (if necessary)".

Flame Adjustment (if necessary):

Tube-style gas burners used in Thermador® appliances have air shutter systems which are similar to the illustration in Figure 17, and can be adjusted using the following method (unless adjustment is not recommended). It is necessary to remove the burner from the appliance in order to perform air-shutter adjustments.

- Loosen shutter screw(s) and turn shutter to new position.

- Adjust the shutter to more-closed position if the flame is lifting or blowing, or is not carrying over.
- Adjust the shutter to more-open position if the flame is too yellow. (See Figure 17.)

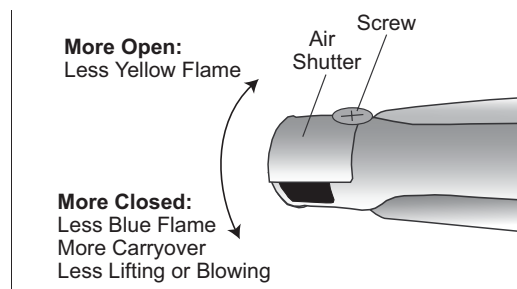


Figure 17: Air Shutter Adjustment (if necessary)

- Retighten the shutter screw(s).
- After adjustment, reinstall the burner and perform flame evaluation. The air shutter must fit over the orifice hood for proper operation of the burner.
- Repeat procedure as needed until flame characteristics are acceptable. (See Figure 16).



WARNING

Burner adjustments must be performed by a qualified technician. Improper adjustments may cause harmful by-products or void the appliance's warranty.

Allow burners to cool before attempting to remove them!

Call Thermador® if:

1. Any of the burners do not light.
2. Any of the burners continue to burn yellow.

Installer Checklist

Final Check List

- Specified clearances maintained to cabinet surfaces.
- Unit Level – front to back – side to side.
- Burner caps positioned properly on burner bases.
- All packaging material removed.
- Island trim or backguard attached according to instructions.
- Kick panel in place and two (2) screws secure.
- The griddle or grill plate and frame is correctly positioned, tilted slightly forward. (See Page 12 for adjustment procedure.)

Gas Supply

- Manual gas shut off valve installed in an accessible location (without requiring removal of range).
- Unit tested and free of gas leaks.
- If used on propane gas, verify that the propane gas supply is equipped with its own high pressure regulator in addition to the pressure regulator supplied with the appliance.

Electrical

- Receptacle with correct over-current protection is provided for service cord connection.
- Proper ground connection.

Operation

- Bezels centered on burner knobs, and knobs turn freely.
- Each burner lights satisfactorily, both individually and with other burners operating.
- Griddle or grill is tilted slightly forward and does not rock (not all models).
- Oven door hinges seated and hinge locks in proper position. Door opens and closes properly.
- Burner grates correctly positioned, level and do not rock.
- Start self-clean. When LOCK light comes on, verify that door is locked. Cancel self clean mode.
- INSTALLER: Leave the Care and Use Manual and Installation Instructions with the owner of the appliance.

To Clean and Protect Exterior Surfaces

The stainless steel surfaces may be cleaned by wiping with a damp soapy cloth, rinsing with clear water and drying with a soft cloth to avoid water marks. Any mild glass cleaner will remove fingerprints and smears.

For discolorations or deposits that persist, refer to the Care and Use Manual.

To polish and protect the stainless steel, use a cleaner/polish such as Stainless Steel Magic®.

DO NOT allow deposits to remain for long periods of time.

DO NOT use ordinary steel wool or steel brushes. Small bits of steel may adhere to the surface causing rust.

DO NOT allow salt solutions, disinfectants, bleaches or cleaning compounds to remain in contact with stainless steel for extended periods. Many of these compounds contain chemicals which could prove harmful. Rinse with water after exposure and wipe dry with a clean cloth.

Table des matières

Instructions de sécurité	1
Instructions importants de sécurité	1
Informations importantes à propos de l'installation	2
Chapitre 1 : Exigences pour la ventilation	3
Chapitre 2 : Préparation de l'emplacement d'amoire	5
Chapitre 3 : Déballage, manutention et mise en place de la cuisinière	11
Chapitre 4 : Installation du dispositif antibascule	13
Chapitre 5 : Exigences de l'alimentation du gaz et raccordement	15
Chapitre 6 : Exigences électriques, connexions et mise à la terre	17
Chapitre 7 : Installation du dossieret	22
Chapitre 8 : Retrait et installation de la porte	24
Chapitre 9 : Test et réglage de brûler	25
Liste de vérification pour l'installateur	27
Nettoyage et protection des surfaces externes . . .	29

Cet appareil électroménager de Thermador est fait par
BSH Home Appliances Corporation
5551 McFadden Ave.
Huntington Beach, CA 92649

Questions ?

1-800-735-4328

www.thermador.com

Nous attendons de vos nouvelles !

Pour les installations au Massachusetts :

1. L'installation doit être réalisée par un entrepreneur qualifié ou agréé, un plombier ou un installateur de gaz qualifié ou autorisé par l'État ou la région dans laquelle cet appareil est installé.
2. Le robinet d'arrêt de gaz doit être pourvu d'une poignée en « T ».
3. La longueur maximum autorisée du tuyau de gaz est de 91,4 centimètres (36").



AVERTISSEMENT

L'information fournie dans le présent manuel doit être très rigoureusement respectée, sous peine d'incendie ou d'explosion entraînant des dommages, des blessures ou la mort.

- Ne stockez pas et n'utilisez pas d'essence ou autres ou la compagnie distributrice de gaz.
- **SI VOUS SENTEZ UNE ODEUR DE GAZ :**
 - N'allumez aucun appareil.
 - Ne touchez pas aux interrupteurs électriques.
 - N'utilisez pas les téléphones du bâtiment.
 - Appelez immédiatement votre compagnie de gaz de chez un voisin. Suivez les instructions de la compagnie.
 - Si vous n'arrivez pas à contacter la compagnie de gaz, appelez les pompiers.
- L'installation et les réparations doivent être réalisées par un installateur qualifié, un centre de réparation agréé ou la compagnie de gaz.



AVERTISSEMENT

- Toutes les cuisinières peuvent basculer
- Des personnes peuvent être blessées
- Installez un dispositif antibascule
- Consultez les instructions d'installation



AFIN DE DIMINUER LES RISQUES DE BASCULEMENT, INSTALLEZ UN DISPOSITIF ANTIBASCULE. ASSUREZ-VOUS QUE LE DISPOSITIF ANTIBASCULE EST BIEN EN PLACÉ, CONFORMÉMENT AUX INSTRUCTIONS D'INSTALLATION (REMARQUE : LE DISPOSITIF ANTIBASCULE EST OBLIGATOIRE POUR TOUTES LES CUISINIÈRES DE 76,2 CM [30"] ET DE 91,4 CM [36 "]).

Instructions de sécurité



Instructions importants de sécurité

LIRE TOUTES LES INSTRUCTIONS AVANT DE PROCÉDER

APPROUVÉ POUR TOUT APPAREIL RÉSIDENTIEL

POUR UTILISATION RÉSIDENTILLE SEULEMENT

IMPORTANT : conserver ces instructions pour utilisation par l'inspecteur en électricité local.

INSTALLATEUR : laisser ces instructions avec l'appareil pour le propriétaire

PROPRIÉTAIRE : conserver ces instructions à des fins de références.



AVERTISSEMENT

Coupez l'électricité avec d'installer l'appareil. Avant de remettre l'électricité, assurez-vous que toutes les commandes sont sur la position OFF.

Important: Les réglementations locales varient. L'installation, les raccordements au gaz et les mises à la terre doivent être conformes à toutes les réglementations applicables



AVERTISSEMENT

Ne pas utiliser de flamme de toute sorte pour vérifier les fuites de gaz.

Remarque : Cette cuisinière N'EST PAS conçue pour les maisons mobiles ni pour les véhicules récréatifs.

NE PAS installer cette gamme dehors.

Informations importantes à propos de l'installation

Vérification du type de GAZ

Vérifiez le type d'alimentation au gaz fourni du lieu d'installation. L'appareil doit être raccordé au type de gaz pour lequel il est certifié. Tous les modèles sont certifiés pour une utilisation avec gaz naturel. Conversion sur place pour utilisation au gaz propane exigeant le nécessaire de conversion.



AVERTISSEMENT

Pour éviter tout risque de brûlure ou d'incendie, un dossier conçu spécifiquement pour cette cuisinière doit être installé lorsque l'appareil est utilisé.

Voir le tableau C du dossier à la page 16 pour les modèles de dossier approprié pour cet appareil. Une fois le dossier choisi, l'appareil doit être installé adéquatement en utilisant les dégagements minimum pour surfaces combustibles spécifiées dans les instructions de "Chapitre 2 : Préparation de l'emplacement d'œuvre" à la page 5.

- Important:**
- Utiliser un dossier lorsque l'espace horizontal entre les matériaux combustibles et le bord arrière de la cuisinière est de moins de 30,5 cm (12 po). Commander séparément le dossier Thermador et l'installer à l'arrière de la cuisinière (un dossier bas est fourni avec le modèle 30 po). Pour les installations en îlot et autres installations avec un espace de plus de 30,5 cm (12 po), une garniture en acier inoxydable est vendue en option afin de recouvrir les brides de montage du dossier.
 - S'assurer que l'appareil convient au type de gaz fourni. Consulter le "Chapitre 5 : Exigences de l'alimentation du gaz et raccordement" à la page 15 avant de procéder à l'installation.

Cet appareil a été testé conformément aux normes ANSI Z21.1, pour les appareils de cuisson résidentiel (É.-U.) et avec CAN 1.1-M81 pour les cuisinières à gaz résidentielles (Canada).

On recommande fortement d'installer une hotte de ventilation adaptée au-dessus de cet appareil (Voir "Chapitre 1 : Exigences pour la ventilation" à la page 3). Comme cet appareil peut dégager une forte chaleur, on doit porter une attention particulière aux travaux d'installations des conduits et de la hotte, lesquels doivent être conformes à la réglementation locale de construction.

Vérifiez la réglementation locale applicable pour connaître la bonne méthode d'installation de l'appareil. Les réglementations locales varient. L'installation, le branchement électrique et la mise à la terre doivent respecter toutes les réglementations applicables. À défaut de réglementation, l'appareil doit être installé conformément aux normes américaines en vigueur sur le gaz combustible ANSI Z223.1/NFPA54 et l'électricité ANSI/NFPA70. Au Canada, l'installation doit être conforme aux normes canadiennes CAN 1-B149.1 et .2 du Code du bâtiment pour l'installation d'appareils fonctionnant au gaz et/ou le code de construction local.

Alimentation en gaz :

Gaz naturel : 14,9 mb min. (6 po, C.E.), à 34,9 mb max. (14 po, C.E.)

Gaz propane : 27,4 mb min. (11 po, C.E.), 34,9 mb max. (14 po, C.E.)

Alimentation électrique : (Voir Page 17 pour les données techniques)



MISE EN GARDE

Si l'appareil est alimenté au gaz propane, assurez-vous que le réservoir de propane est équipé de son propre détendeur en plus du détendeur fourni avec la cuisinière. **La pression maximum d'arrivée du gaz de cet appareil ne doit pas dépasser les 34,9 millibars (14 popo C.E.) entre le réservoir de propane et le détendeur.**



MISE EN GARDE

Cet appareil est conçu pour un usage culinaire. Pour des raisons de sécurité, ne l'utilisez jamais pour chauffer une pièce.

Cet appareil est conforme à une ou plusieurs normes suivantes :

- UL 858, norme pour la sécurité des cuisinières électriques domestiques
- UL 923, norme pour la sécurité des appareils à cuisson aux micro-ondes
- UL 507, norme pour la sécurité des ventilateurs électriques
- ANSI Z21.1, norme nationale américaine pour appareils de cuisson à gaz domestiques
- CAN/CSA-C22.2 n° 113-M1984 ventilateurs et hottes
- CAN/CSA-C22.2 n° 61-M89 cuisinières domestiques

Il incombe au propriétaire et à l'installateur de déterminer si des exigences et/ou normes additionnelles s'appliquent pour une installation spécifique.

À cause de la chaleur intense des brûleurs de la surface de cuisson, l'installation d'un four à micro-ondes avec un système de ventilation au-dessus de la surface de cuisson n'est pas recommandée.



MISE EN GARDE

Afin d'éliminer les risques de brûlures ou d'incendie provoqués par la chaleur, il est conseillé d'éviter d'installer des armoires au-dessus des tables de cuisson des appareils.

Chapitre 1 : Exigences pour la ventilation

Il est fortement recommandé d'installer une hotte de ventilation appropriée au-dessus de la cuisinière. Une ventilation par contre-tirage ne devrait pas être utilisée. Le tableau ci-dessous énumère, par numéro de modèle, les hottes Thermador que l'on conseille d'utiliser avec les cuisinières.

1. Choix du modèle de hotte et de ventilateur
 - Pour les installations murales, la largeur de la hotte doit être au moins égale à celle de la table de cuisson de la cuisinière. Si l'espace le permet, il est souhaitable d'installer une hotte plus large que la table de cuisson pour améliorer les performances de ventilation.
 - Pour les installations en îlot, la largeur de la hotte devrait dépasser d'au moins 7,62 cm (3") des deux côtés de la table de cuisson de la cuisinière.

Important: Les hottes de ventilation et les ventilateurs sont conçus pour une seule conduite murale. Certaines réglementations municipales du bâtiment exigent toutefois une double conduite. Consultez les normes applicables et/ou la municipalité avant de débiter les travaux pour vous assurer que l'installation des conduites répond aux exigences locales.

Ne pas installer un combiné hotte/four à micro-ondes au-dessus des surfaces de cuisson. Ces appareils n'assurent pas une ventilation appropriée et ne conviennent pas aux surfaces de cuisson.

2. Emplacement de la hotte

- Pour une meilleure élimination des fumées, le bord inférieur de la hotte doit être placé à une distance de 101,6 cm (40") au-dessus de la table de cuisson (Voir Figure 1).
- Si la hotte contient des matériaux combustibles (comme par exemple un placage en bois), elle doit être placée à au moins 101,6 cm (40") au-dessus de la table de cuisson.

3. Apport d'air

- Un important volume d'air étant nécessaire pour la ventilation, il est recommandé de prévoir un apport d'air de l'extérieur. Cet aspect revêt une importance particulière dans les logements bien isolés et très étanches.
- Il est conseillé de consulter un entrepreneur en chauffage et en climatisation.

Largeur de cuisinière	Configuration de surface de cuisinière	Capacité de soufflerie minimale recommandée*	Options de ventilation
30 po	4 brûleurs	600 CFM	Hotte cheminée 36 po avec soufflerie optionnelle Hotte Pro Wall 30 36 po 30 ou 36 po sur mesure avec soufflerie optionnelle Hotte d'îlot 42 po avec soufflerie optionnelle
36 po	4 brûleurs avec gril ou grille	800 CFM	Hotte cheminée 36 ou 42 po avec soufflerie optionnelle Hotte Pro Wall 36 ou 42 po 36 po sur mesure avec soufflerie optionnelle Hotte d'îlot 42 po avec soufflerie optionnelle
	6 brûleurs	900 CFM	
48 po	4 brûleurs avec combiné gril et grille ou grille 24 po	1000 CFM	Hotte cheminée 48 po avec soufflerie optionnelle Hotte Pro Wall 48 ou 54 po 48 po sur mesure avec soufflerie optionnelle Hotte d'îlot 54 po avec soufflerie optionnelle
	6 brûleurs avec gril ou grille	1100 CFM	

Remarques importantes :

- Il est recommandé que la hotte Professional Thermador murale ou îlot ou sur mesure soit utilisée avec les cuisinières Professional Thermador.
- Consulter www.thermador.com pour une sélection complète des options de ventilation, souffleries et accessoires de la gamme.
- * Pour les cuisinières à gaz à rendement élevé (60 000 BTU ou plus), une ventilation minimale de 1 pi³/min par 100 BTU est recommandée. Si la cuisinière est dotée d'un gril ou d'une grille, ajouter 200 pi³/min à la capacité de soufflerie estimée. Une capacité additionnelle peut être requise pour des conduits plus longs.
- Dans le cas des applications avec îlots, il est recommandé d'utiliser une hotte dont la largeur excède celle de la cuisinière de 6 po (dépassant la cuisinière d'un minimum de 3 po de chaque côté).
- pi³/min = pied cube par minute (cote standard pour la capacité d'une soufflerie).

Chapitre 2 : Préparation de l'emplacement d'armoire

1. La cuisinière est un appareil monobloc. Si elle est placée au milieu des armoires, les dégagements requis sont indiqués à la Figure 1. Les mêmes dégagements s'appliquent aux installations en îlot, excepté pour les armoires suspendues qui doivent laisser un espace suffisamment grand pour poser la hotte d'îlot évasée, comme le montre la Figure 1.
2. Les cuisinières peuvent être encastrées entre les armoires au-delà du bord de la partie frontale du four (Voir Figure 2a et Figure 2b).



MISE EN GARDE

Dans ce type d'installation, la porte et l'armoire peuvent comporter un risque de pincement.

3. Les arrivées d'électricité et de gaz doivent se trouver dans les zones indiquées à la Figure 3a.

Remarque: La profondeur maximum des armoires en hauteur installées d'un côté ou de l'autre de la hotte est de 33 cm (13 po).

Un dégagement minimum de 40 po est nécessaire entre le dessus de la surface de cuisson et le dessous d'une armoire non protégée. Une distance de 36 po (91,4 cm) doit être assurée lorsque le bas des armoires en bois ou en métal est protégé par un matériau ignifuge d'une épaisseur d'au moins 6,35 mm (1/4") recouvert d'une feuille d'acier no 28 MSG de la même épaisseur, de 0,4 mm (0,015") d'acier inoxydable, de 0,6 mm (0,024") d'aluminium ou de 0,5 mm (0,02") de cuivre. Les matériaux ignifuges portent la marque :

UNDERWRITERS LABORATORIES INC. CLASSIFIED MINERAL AND FIBER BOARDS SURFACE BURNING CHARACTERISTICS,

(panneaux de fibres et minéraux classés, caractéristiques d'inflammation des surfaces), suivie des taux de progression des flammes et des fumées. Ces désignations sont indiquées par « FHC » (Flame Spread/Smoke Developed – Progression des flammes/Production de fumée). Les matériaux ayant un taux « O » de progression de flammes sont ignifuges. La réglementation municipale peut autoriser un taux de progression des flammes différent.

4. Toute ouverture dans le mur qui se trouve derrière la cuisinière et dans le plancher sous la cuisinière doit être refermée.
5. Si la distance entre un matériau combustible Δ et le bord arrière de la cuisinière au-dessus de la table de cuisson est de moins de 30,5 cm (12 po), il est obligatoire d'installer un basse ou tablette à casserole Thermador (Voir Figure 2a). Si la distance du matériau combustible Δ est supérieure à 30,5 cm (12 po), il est possible d'utiliser un enjoliveur Thermador pour îlot (Voir Figure 2b). Les Voir Figure 2a et Figure 2b indiquent l'espace nécessaire pour chaque type de plaque de protection.
6. L'appareil ne doit jamais se trouver à proximité de matériaux combustibles, d'essence et d'autres produits inflammables (vapeurs ou liquides).
7. L'air de combustion et de ventilation arrivant à l'appareil doit pouvoir circuler librement dans les conduites.
8. Un dégagement minimum de 4 po est nécessaire lorsque la cuisinière est installée à côté d'un mur latéral combustible.

Δ Tel que définit dans le code national de combustible à gaz (ANSI Z223.1, dernière édition).

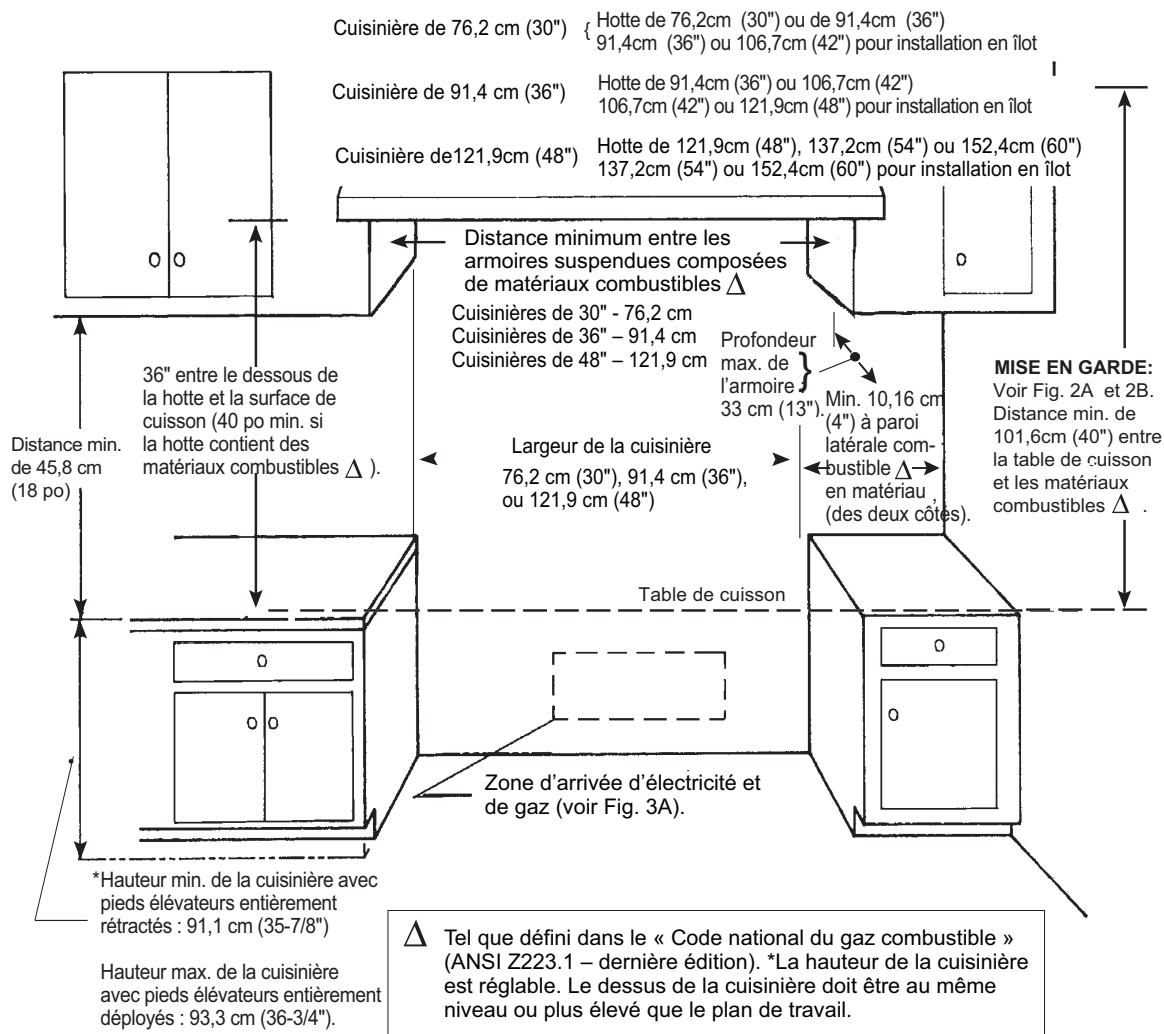
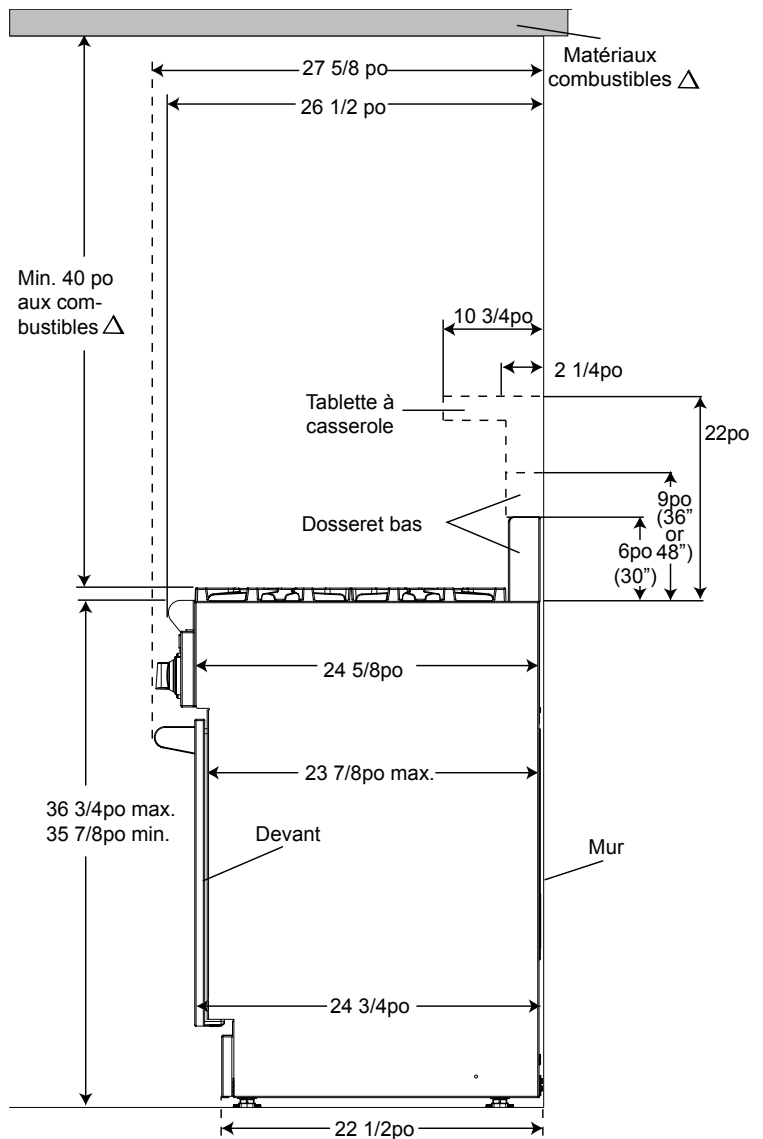


Figure 1 : Dégagement des armoires

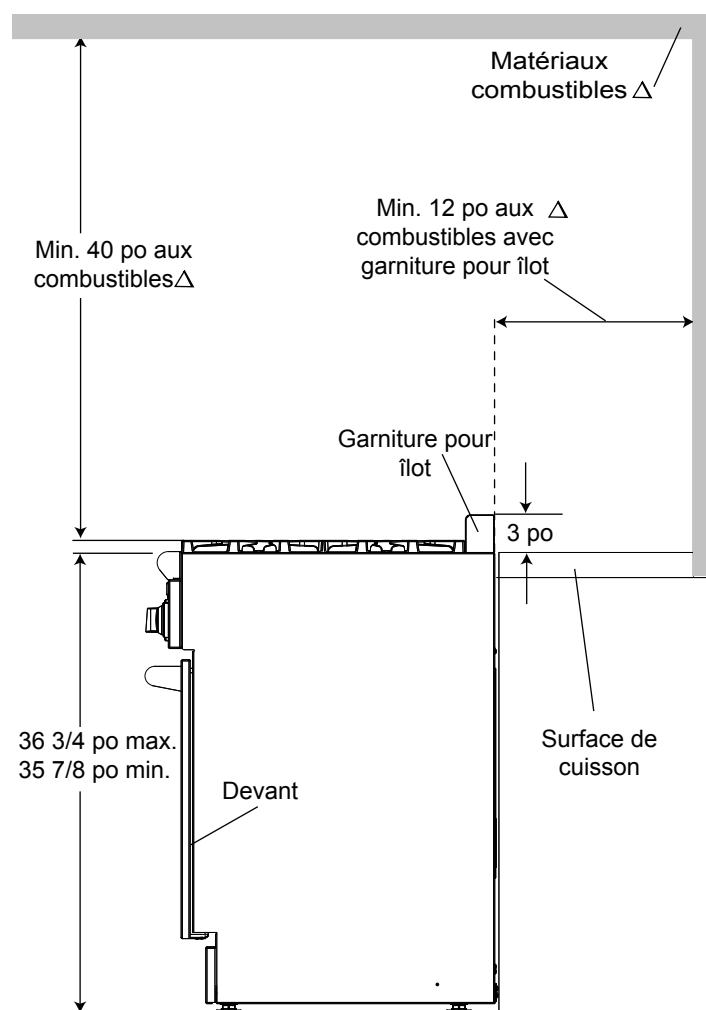


▲ Tel que définit dans le code national de combustible à gaz (ANSI Z223.1, dernière édition.)

Figure 2a : Vue latérale

Remarque : La porte du four ouverte, le haut de la porte à 44 5/8 po depuis la paroi arrière, derrière la cuisinière installée. L'installation doit avoir un dégagement suffisant pour le mouvement autour de la porte ouverte.

* Réfère à 30", 36", et 48" modèles de la cuisinière.



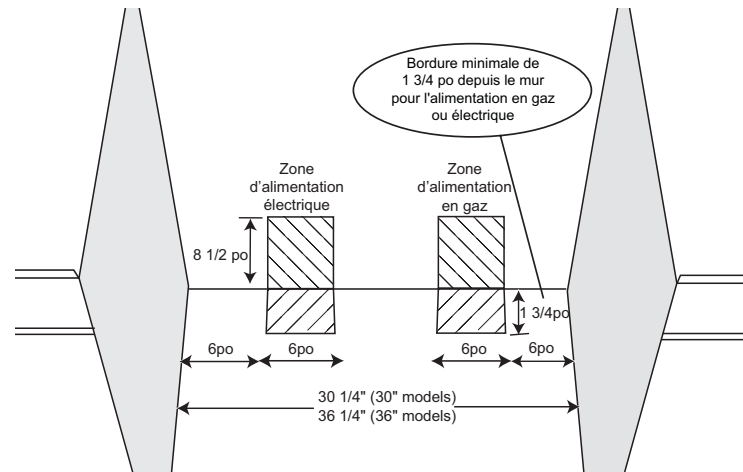
▲ Tel que définit dans le code national de combustible à gaz (ANSI Z223.1, dernière édition.)

Figure 2b : Vue latérale

Remarque : La porte du four ouverte, le haut de la porte à 44 5/8 po depuis la paroi arrière, derrière la cuisinière installée. L'installation doit avoir un dégagement suffisant pour le mouvement autour de la porte ouverte.

Alimentation de gaz et électrique

Emplacement de l'alimentation électrique et en gaz pour les cuisinières 30" and 36"



Emplacement de l'alimentation électrique et en gaz pour les cuisinières 48"

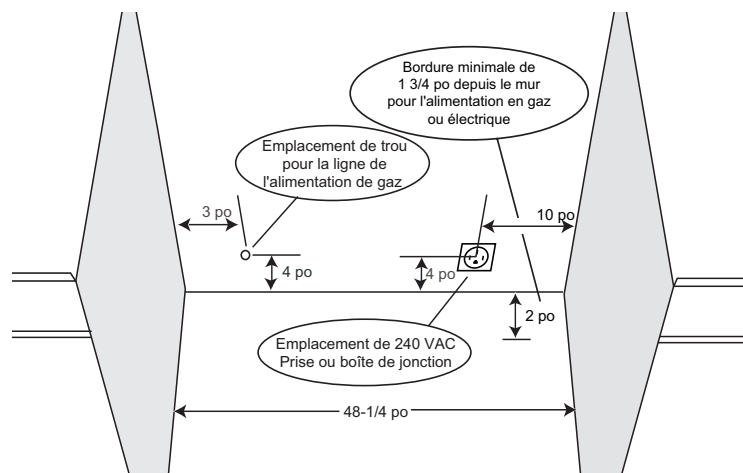


Figure 3a : emplacement de l'alimentation électrique et en gaz pour les cuisinières à combustion jumelée

Remarque : Une soupape d'arrêt de gaz manuelle (si elle n'est pas déjà en place) doit être facilement accessible. S'assurer que toute personne sache où et comment fermer l'alimentation en gaz à la cuisinière.

Remarque : L'installateur doit indiquer au client l'emplacement de la soupape d'arrêt de gaz.

Remarque : Toute ouverture dans le mur derrière l'appareil et/ou dans le plancher doit être scellée.

La cuisinière à combustion jumelée peut être branchée sur l'alimentation électrique avec un nécessaire de cordon d'alimentation de cuisinière (fourni avec l'appareil) ou par un câblage fixe à l'alimentation. Il incombe à l'installation de fournir les composants appropriés pour le câblage (cordon ou conduit et fils) et de compléter la connexion électrique selon les règlements et codes locaux et/ou du Code national d'électricité. L'appareil doit être mis à la terre adéquatement. Voir "Chapitre 6 : Exi-

gences électriques, connexions et mise à la terre ” pour plus de détails. Les modèles pour le Canada ont un cordon d'alimentation.

La cuisinière doit être branchée seulement du le type de gaz pour laquelle elle est certifiée. Si la cuisinière doit être branchée sur le gaz propane, s'assurer que le réservoir de gaz propane est doté de son régulateur de haute pression en plus du régulateur fournie avec la cuisinière (Voir “Chapitre 5 : Exigences de l'alimentation du gaz et raccordement ”).

Remarque : La cuisinière est conçue pour être à égalité avec le mur arrière. Pour une installation adéquate, il peut être nécessaire de repositionner la canalisation d'alimentation en gaz et le cordon électrique lorsque la cuisinière est poussée en position d'installation finale.

Alimentation électrique

L'installation de la cuisinière doit être planifiée afin que la boîte de jonction pour la prise ou la connexion de conduit permette un dégagement maximum à l'arrière de l'appareil.

Lorsque le cordon d'alimentation (non fourni) ou le conduit est branché sur une prise correspondante ou couvercle de boîte de jonction, la prise/fiche combinée ou la boîte de jonction/connecteur de conduit ne doivent pas dépasser de plus de 2 po du mur arrière. Voir Figure 3b.

Voir Figure 9 à la page 19 pour l'emplacement de la boîte de jonction sur l'appareil. Pour minimiser le pliage lorsque l'appareil est branché sur la prise ou la boîte de jonction, orienter la prise ou le connecteur de conduit et faire glisser en position.

Remarque : Les modèles canadiens sont dotés d'un cordon d'alimentation.

Remarque : Si l'on utilise une prise 240 VAC ayant son boîtier, il est nécessaire d'encaster le boîtier de la prise dans le mur arrière. Fixer de façon sécuritaire la prise au montant du mur, puis sceller autour du boîtier. Observer les codes électriques locaux.

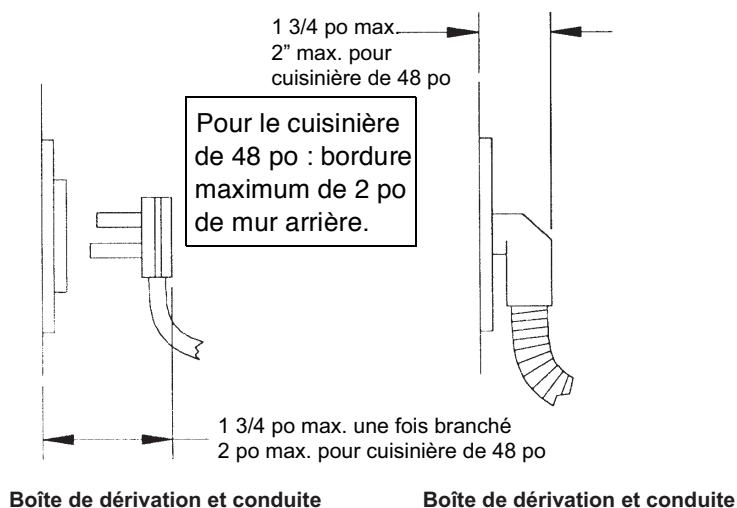


Figure 3b : Raccordement au mur

Chapitre 3 : Déballage, manutention et mise en place de la cuisinière



MISE EN GARDE

Un équipement adapté manipulé par du personnel expérimenté doit être utilisé pour déplacer la cuisinière afin de ne pas endommager l'appareil ni le plancher. La cuisinière est lourde et repose sur des pieds réglables en acier.

- Le poids approximatif de la cuisinière à l'expédition est celui qui est indiqué au Tableau A. Il est recommandé d'ôter les grilles, la grille/plaque gril, le cadre, les chapeaux des brûleurs, la plaque d'habillage et les grilles du four pour faciliter la manutention. Le poids de l'appareil s'en trouvera diminué, tel qu'indiqué au Tableau A et permettra à la cuisinière de passer par une porte de 76,2 cm (30"). Voir Figure 2a et Figure 2b à la Page 8. **N'ôtez pas le gril ni la plaque de cuisson.**
- Retirez l'emballage externe et les matériaux d'emballage de la palette d'expédition. Toutes les cuisinières à combustion jumelée sont fixées sur une palette à l'aide de quatre (4) boulons Figure 4). Après avoir enlevé les boulons, soulevez la cuisinière et enlevez-la de la palette.

Important : NE PAS soulever la cuisinière par la poignée de porte. Cela peut endommager les charnières et ainsi la porte s'ajustera mal dans l'ouverture.

Tableau A	Cuisinière de 30 po	Cuisinière de 36 po	Cuisinière de 48 po
Poids à l'expédition	351 lbs.	371 lbs.	499 lbs.
Poids sans matériaux d'emballage	228 lbs.	270 lbs.	403 lbs.
Poids sans porte, chapeaux de brûleurs, plaque d'habillage et grilles de four	185 lbs.	221 lbs.	318 lbs.

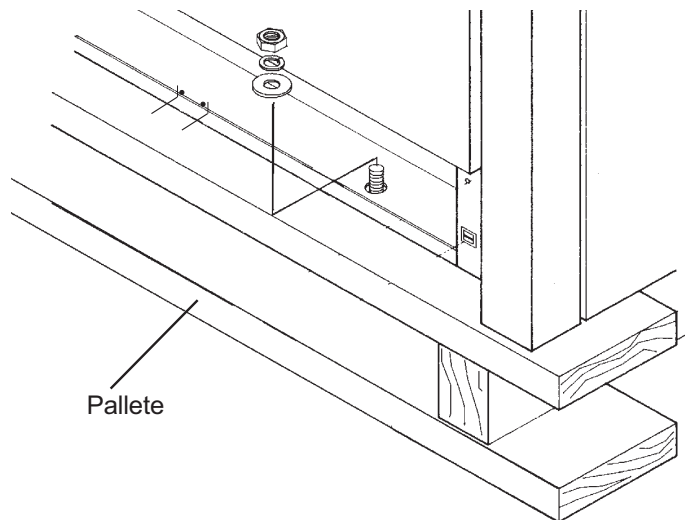


Figure 4 : Retrait des quatre boulons avant installés pour l'expédition

Remarque : Laisser la mousse avec adhésif sur les surfaces en métal brossé pour protéger le fini des égratignures jusqu'à ce que l'appareil soit installé à sa position permanente.

- En raison du poids de la cuisinière, il convient d'utiliser une plate-forme à roulettes souples pour la déplacer. Le poids doit être uniformément réparti sur la plate-forme (Voir Figure 5).
- Transportez la cuisinière sur la plate-forme près de son emplacement définitif, basculez-la pour qu'elle soit reposée sur les pieds arrière puis retirez la plate-forme. **PROTÉGEZ LE SOL SE TROUVANT SOUS LES PIEDS AVANT DE METTRE LA CUISINIÈRE EN PLACE.** Installez le dispositif antibascule (Chapitre 4), raccordez le gaz et l'électricité (Voir "Chapitre 5 : Exigences de l'alimentation du gaz et raccordement") et "Chapitre 6 : Exigences électriques, connexions et mise à la terre" puis installez la plaque de protection ("Chapitre 7 : Installation du dossier") avant de placer définitivement la cuisinière. Pour garantir son bon fonctionnement, la **cuisinière doit être nivelée.** (Ce point est important pour tous les produits équipés d'une plaque chauffante ou d'un gril.) La cuisinière se nivelle en réglant les pieds avec une clé.
- Remettez la base au pied. **Il est important que les deux (2) vis qui maintiennent la base soient solidement fixées pour éviter un contact accidentel avec les surfaces chaudes.**
- Assurez-vous que les chapeaux des brûleurs sont correctement assis sur les bases des brûleurs de la table de cuisson de la cuisinière.

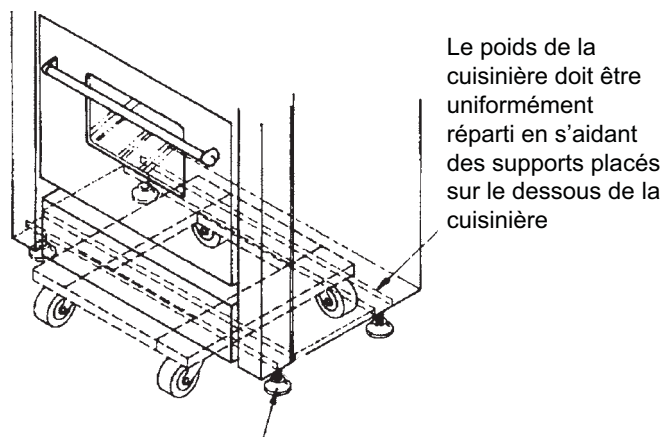


Figure 5 : Emplacement de la plate-forme à roulettes

- Enlever tout le matériel d'emballage et le ruban adhésif avant d'utiliser l'appareil. Détruire le matériel d'emballage une fois l'appareil débarrassé. Ne jamais laisser les enfants jouer avec ce matériel d'emballage.

Important: NE PAS soulever la cuisinière par la poignée de porte. Cela peut endommager les charnières et ainsi la porte s'ajustera mal dans l'ouverture.

Réglage de l'angle du gril/ grille (certains modèles)

Si la cuisinière est dotée d'une grille électrique ou gril à gaz, vérifiez le réglage du cadre en versant 2 cuillères à soupe d'eau sur la surface. L'eau devrait glisser lentement vers le bac à graisse. Si ce n'est pas le cas, corrigez l'angle à l'aide des deux vis sous l'arrière du cadre. Commencez en tournant les vis d'un quart de tour dans le sens contre horaire. Tout réglage ultérieur devrait être fait à l'aide de quart de tour jusqu'à ce que l'eau glisse dans le bac à graisse.

Chapitre 4 : Installation du dispositif antibascule

Pour les cuisinières de 30 po et 36 po, un dispositif antibascule doit être installé conformément aux instructions suivantes.



AVERTISSEMENT - DANGER DE BASCULEMENT

- Toutes les cuisinières peuvent basculer et blesser quelqu'un. Pour éviter un basculement accidentel, elles doivent être attachées au sol, au mur ou à une armoire au moyen de l'installation du dispositif antibascule qui vous est fourni.
- Un risque de basculement demeure si l'appareil n'est pas installé conformément à ces instructions.
- En déplaçant la cuisinière pour nettoyage, réparation ou autre, assurez-vous que le dispositif antibascule s'est bien réenclenché lorsque vous repoussez la cuisinière contre le mur. Sinon, dans l'hypothèse d'une utilisation anormale (personne montant, s'asseyant ou s'étendant sur une porte ouverte), la cuisinière risque de basculer et de provoquer des blessures dues aux liquides chauds renversés ou au poids de la cuisinière.



AVERTISSEMENT - RISQUE D'ÉLECTROCUTION

- Soyez très prudent lorsque vous percez des trous dans le mur ou le plancher. Des fils électriques peuvent être dissimulés dans les murs ou dans le plancher.
- Identifiez les circuits électriques pouvant se trouver à l'endroit où le dispositif antibascule est installé puis débranchez-les.
- Le non-respect de ces instructions risque d'entraîner une électrocution ou des blessures.



AVERTISSEMENT

- **Toutes les cuisinières peuvent basculer**
- **Des personnes peuvent être belssées**
- **Installez les dispositifs antibascule fournis avec la cuisinière**
- **Consultez les instructions d'installation**



AVERTISSEMENT - DOMMAGES CAUSÉS À L'ÉQUIPEMENT

- Contactez un installateur ou un entrepreneur qualifié pour déterminer la bonne méthode de perçage des murs ou du plancher (carrelage, bois franc, etc.).
- Ne faites pas glisser la cuisinière sur un plancher non protégé.
- Le non-respect de ces instructions comporte des risques de dommages des revêtements muraux ou de sol.

Outils nécessaires pour l'installation du dispositif antibascule :

- Tournevis Phillips
- Perceuse électrique ou manuelle
- Ruban à mesurer ou règle
- Foret de 3,2 mm (1/8") (mur ou sol en bois ou métal)
- Marteau
- Crayon ou autre marqueur
- Foret à béton pointe carbure de 4,8 mm (3/16") (mur ou sol en béton ou blocs de béton)
- Ancrages de 4,8 mm (3/16"), cloison en préfabriqué ou béton, 4 chaque (inutile si le support de montage est fixé sur du bois dur ou du métal)

Pour toutes les cuisinières à combustion jumelée de 30 po et 36 po (Figure 6 et Figure 7)

Thermador Service pièce No.	Quantité	Description
415078	4	Vis Phillips no10 (1-1/2 po) 3,81 cm
427338	1	Patte antibascule, montage au sol

Informations importantes à propos de l'installation

- La patte antibascule peut être fixée à une armoire en bois massif ayant une paroi d'une épaisseur minimum de 19 mm (3/4").
- Selon l'épaisseur du mur ou du plancher, il peut être nécessaire d'utiliser des vis plus longues, disponibles chez votre quincaillier.
- Au moins deux (2) vis de montage de la patte doivent être fixées sur le bois massif ou le métal.
- Utilisez des ancrages appropriés pour monter la patte antibascule sur un matériau autre que le bois dur ou le métal.
- Préparez les trous des emplacements de fixation tel qu'indiqué ci-dessous :

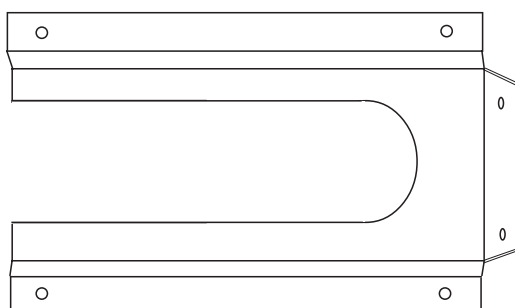


Figure 6 : Montage de la patte antibascule

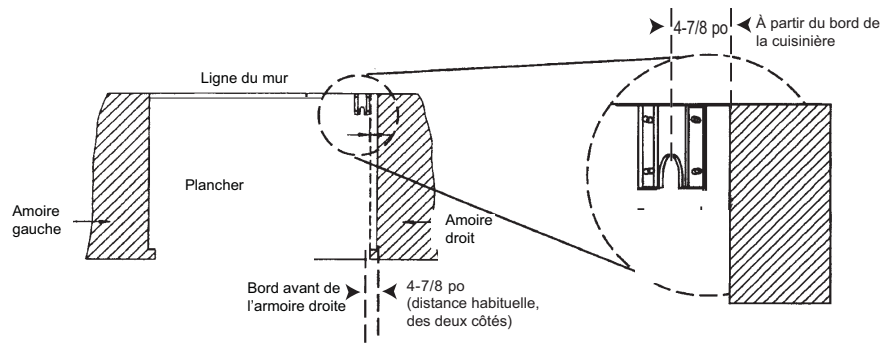


Figure 7 : Mise en place de la patte antibascule (vue du haut)

- Pour les murs, montants de mur ou sols en bois massif ou en métal, percez des trous de guidage de 3,2 mm (1/8").
- Pour les murs ou les sols de type préfabriqué, carton-plâtre ou autres matériaux mous, percez des trous de 4,8 mm (3/16") à une profondeur minimum de 4,45 cm (1-3/4") puis enfoncez les ancrages en plastique dans tous les trous à l'aide d'un marteau.
- Pour les murs ou les sols en béton ou en blocs en béton, percez des trous de 4,8 mm (3/16") à une profondeur minimum de 4,45 cm (1-3/4"), puis enfoncez les ancrages à béton dans les trous à l'aide d'un marteau.
- Pour les murs ou les sols revêtus de carrelage, percez des trous de 4,8 mm (3/16") de la profondeur du carrelage puis percez derrière le carrelage comme indiqué ci-dessus.
- Si la cuisinière doit être ultérieurement placée à un nouvel endroit, le dispositif antibascule sera enlevé et réinstallé

Montage de la patte antibascule

L'option patte montée au sol doit être installée comme suit :

1. Placez la patte sur l'emplacement comme indiqué à la Figure 7 (la patte peut être utilisée dans un des coins de l'installation).
2. Fixez au plancher ou au montant de mur.
3. Lorsque la cuisinière est installée, le pied réglable se glissera sous la patte.

Chapitre 5 : Exigences de l'alimentation du gaz et raccordement

Vérifiez le type de gaz utilisé à l'endroit où la cuisinière est installée. **Celle-ci sont préparée à l'usine avant expédition pour être alimentée par du gaz naturel. Un technicien ou l'installateur qualifié doit faire la conversion.** S'assurer que la cuisinière corresponde au type de gaz disponible dans la région.

En cas d'installation de l'appareil à haute altitude, veuillez consulter la compagnie locale de gaz pour connaître les dimensions correctes des orifices et autres réglages nécessaires permettant une bonne combustion du gaz à l'altitude indiquée.

Le nécessaire de conversion sur place pour les cuisinières à combustion jumelée, gamme DP, est le produit PLKIT de Thermador. Observer toutes les instructions fournies avec ce nécessaire pour effectuer correctement la conversion du régulateur de gaz et des réglages pour les soupapes de gaz.

Cet appareil est certifié ACNOR à des fins de fonctionnement sécuritaire jusqu'à une élévation de 10,200 pi sans modification. Exception : pour l'utilisation avec le gaz propane, l'appareil doit être converti selon les instructions de conversion au LP.



MISE EN GARDE

Si l'appareil est alimenté par du gaz propane, le réservoir de gaz propane doit être équipé de son propre détendeur en sus du détendeur fourni avec la cuisinière. La pression du gaz à l'entrée du détendeur de la cuisinière ne doit pas dépasser 34,9 mb (14 po, C.E.).

Exigences pour le gaz naturel :

Raccord d'entrée :	1/2" NPT interne (tuyau flexible 19,1 mm (3/4") diamètre min.)
Pression d'alimentation :	14,9 mb (6") min. à 34,9 mb (14") max. C.E.
Pression du collecteur :	12,5 mb (5") C.E.

Exigences pour le gaz propane :

Raccord d'entrée :	1/2" NPT interne (tuyau flexible 19,1 mm (3/4") diamètre min.)
Pression d'alimentation :	27,4 mb (11") min. à 34,9 mb (14") max. C.E.
Pression du collecteur :	24,9 mb (10") C.E.



AVERTISSEMENT

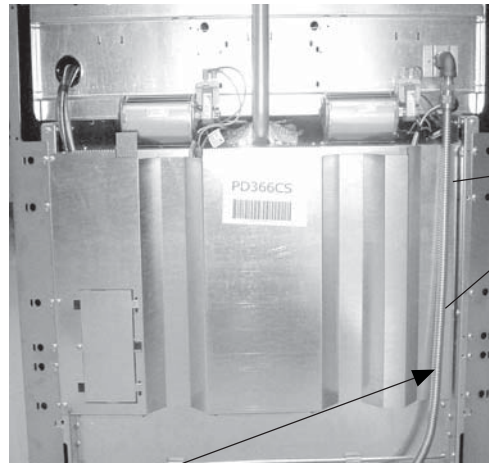
Le tuyau de gaz ne doit pas entrer en contact avec des composants à l'intérieur du couvercle arrière de la cuisinière. Acheminez le tuyau de gaz à l'arrière de l'appareil.

- Un robinet manuel d'arrêt de gaz doit être installé à l'extérieur de l'appareil, à un endroit accessible par le devant, dans le but de pouvoir couper l'alimentation en gaz. Le tuyau d'arrivée de gaz ne doit pas gêner à l'arrière de l'appareil. Assurez-vous que le robinet d'arrêt est fermé avant de raccorder l'appareil.
- La cuisinière est fournie avec un régulateur de pression non amovible qui a été monté à l'intérieur de manière permanente.
- Utilisez le tuyau flexible de 19,1 mm (3/4 po) pour raccorder l'arrivée de gaz au tuyau du collecteur de l'appareil; ce dernier sort du côté supérieur gauche à l'arrière de l'appareil. (Voir Photo A: à la page 17). La canalisation d'alimentation en gaz est située dans la portion inférieure droite des modèles de cuisinières 48 po. (Voir Figure 8). Le raccord du tube du collecteur est un filetage NPT 1/2 po. Prenez garde à éviter les pincements du tuyau flexible de 19,1 mm (3/4 po) dans les coudes. La longueur suggérée est de 48 po. Vérifier avec les codes locaux concernant les exigences.
- Le branchement à l'arrivée de gaz doit être effectué par un technicien compétent conformément à la réglementation locale. À défaut de codes locaux, l'installation doit être conforme à la norme en vigueur américaine du gaz combustible ANSI Z223.1/NFPA54 dernière édition ou à la norme canadienne.
- Toujours utiliser un scellant à tuyau ou du ruban Teflon® sur les filets de tuyaux. et prenez garde à ne pas serrer excessivement les raccords.
- Les tests de fuite de l'appareil seront toujours réalisés conformément aux instructions du fabricant.
 - Souvrez le gaz et assurez-vous qu'il n'y a pas de fuites à l'aide d'une solution savonneuse. N'utilisez pas de flamme pour faire cette vérification.
 - Des bulles indiquent la présence d'une fuite. Réparer toute fuite immédiatement après les avoir repérées.



AVERTISSEMENT

Ne pas utiliser de flamme de toute sorte pour vérifier les fuites de gaz.



Canal pour
le tuyau de
gaz

Utilisez un tuyau flexible 19,1 mm (3/4") pour la connexion entre l'alimentation en gaz et le tuyau de collecteur de l'appareil.

Photo A: Le tuyau de collecteur de l'appareil.

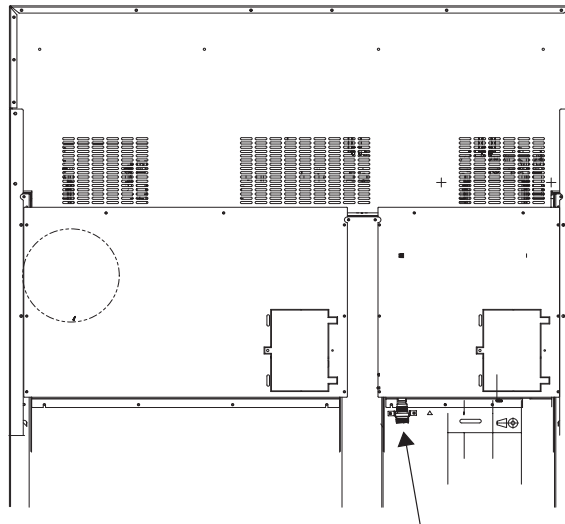


Figure 8: Emplacement de la connexion d'entrée de l'alimentation en gaz sur cuisinières 48 po

Chapitre 6 : Exigences électriques, connexions et mise à la terre

- Avant d'effectuer le service à l'appareil, toujours débrancher le cordon électrique, si doté, de la prise. Si l'appareil est branché de façon fixe, débrancher l'alimentation à l'appareil en fermant le coupe-circuit ou en enlevant le fusible approprié.

Les cuisinières à combustion jumelée peuvent être branchées ou à branchement fixe sur l'alimentation tel qu'il est décrit à la Page 19.

Tableau B : exigences du circuit d'alimentation électrique				
TYPE de MODÈLE	TENSION	COTE DE CIRCUIT	FRÉQUENCE	PHASE
30"	240/208 VAC	35 Amps x 2 (35 Amps chaque circuit)	60 Hz.	Simple
36"	240/208 VAC	35 Amps x 2 (35 Amps chaque circuit)	60 Hz.	Simple
48"	240/208 VAC	50 Amps x 2 (50 Amps chaque circuit)	60 Hz.	Simple

- Un fil d'alimentation neutre doit être fourni depuis la source d'alimentation (panneau coupe-circuit/fusible), car les composants critiques de la cuisinière, incluant le module de réallumage du brûleur de surface, exige 120 VAC pour fonctionner de façon adéquate et sécuritaire. Une alimentation 120/220 VAC inadéquate peut causer un mauvais fonctionnement, des dommages à l'appareil et causer un risque de choc électrique. Si un circuit d'alimentation approprié n'est pas assuré, il est de la responsabilité et l'obligation de l'installateur et de l'utilisateur de faire brancher l'alimentation appropriée. Ceci doit être fait conformément aux codes locaux et règlements applicables par un électricien qualifié. En l'absence des règlements et codes locaux, la connexion d'alimentation électrique doit être conforme au Code national d'électricité.
- Observer tous les codes et règlements pertinents pour la mise à la terre. En l'absence des règlements et codes locaux, observer le Code national d'électricité ANSI/NFPA n° 70, dernière édition. Voir Page 21 concernant la mise à la terre.
- Les diagrammes de câblage électrique sont situés sur la base de la cuisinière et sont faciles d'accès pour le technicien qualifié.
- Les cuisinières à combustion jumelée DP peuvent être branchées sur une alimentation 240/208 VAC.



ATTENTION

L'appareil doit être isolé du système de tuyauterie d'alimentation à gaz en fermant sa soupape d'arrêt manuelle individuelle pendant tout test de pression du système de canalisation d'alimentation en gaz à des tests de pression égale ou inférieure à 1/2 psig (3,5 kPa).

L'appareil et sa soupape d'arrêt individuelle doivent être débranchés du système de canalisation d'alimentation en gaz pendant tout test de pression du système à des tests de pression excédant 1/2 psig (3,5 kPa). Au moment de vérifier la pression de gaz du collecteur, la pression d'entrée au régulateur doit être d'au moins 6 po, C.E. (14,9 mB) pour le gaz naturel ou 11 po, C.E. (27,4 mB) pour le propane.

Ne pas tenter tout ajustement du régulateur de pression.

Las cuisinières doivent être branchés sur l'alimentation à l'aide d'une des méthodes suivantes. Pour toutes les méthodes de connexion, la longueur du cordon ou conduit/câblage doit permettre de faire glisser complètement l'appareil hors de l'armoire sans avoir à le débrancher. La longueur minimale recommandée du cordon ou con-

duit est de 4 pi. Les installations électriques et la mise à la terre doivent être conformes à tous les règlements et codes locaux et/ou au Code national d'électricité, si applicable.

- **CORDON 4 CONDUCTEURS-NORMALEMENT, UN APPAREIL DOIT ÊTRE BRANCHÉ SUR L'ALIMENTATION AVEC UN NÉCESSAIRE DE CORDON 4 CONDUCTEURS, TRIPOLAIRE, COTÉ 125/250 VOLTS, 50 AMPÈRES ET MARQUÉS POUR UTILISATION AVEC CUISINIÈRE.** Le nécessaire de cordon doit être fixé à la boîte de jonction de la cuisinière avec un réducteur de tension qui s'adapte à un trou de 1 po de diamètre. Si non déjà équipé, le cordon doit avoir des cosses en boucle fermée 1/4 po attachées aux extrémités libres des conducteurs individuels, préférablement soudés en place.
- **CONNEXION PERMANENTE (BRANCHEMENT FIXE)** - Les appareils peuvent avoir un branchement fixe à l'alimentation. L'installateur doit fournir un conduit aluminium flexible approuvé, format 3/4 po, 6 pi de long maximum. Placer la boîte de jonction à l'arrière et l'appareil et enlever le couvercle. Voir Figure 9. Enlever la vis de retenue du conducteur de terre et plier le conducteur de terre vers le haut. Voir Figure 11. Le conduit doit être installé sur la boîte de jonction à l'aide d'un connecteur de conduit approuvé. Le câblage de l'appareil doit être acheminé à la boîte de jonction par le conduit. Les extrémités de câblage doivent avoir des cosses en boucle 1/4 po, préférablement soudées en place. Faire les connexions sur le bloc de bornes fourni. Fixer de façon sécuritaire de fil de mise à la terre sur la boîte de jonction avec la vis précédemment utilisée pour fixer le conducteur de terre. Voir Figure 12. L'extrémité libre du conduit doit être branché sur la boîte de jonction indiquée dans la zone d'alimentation électrique et de gaz, Voir Figure 3 à la page 9.

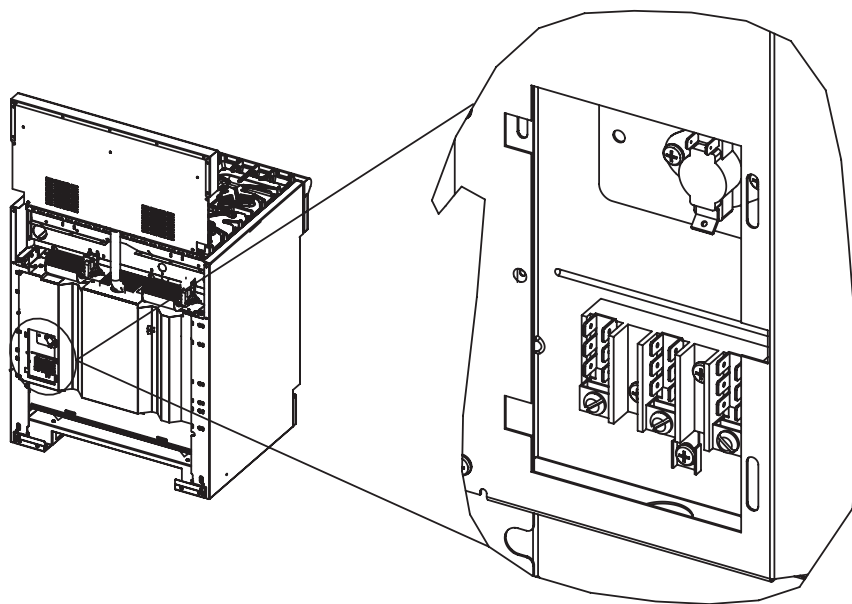
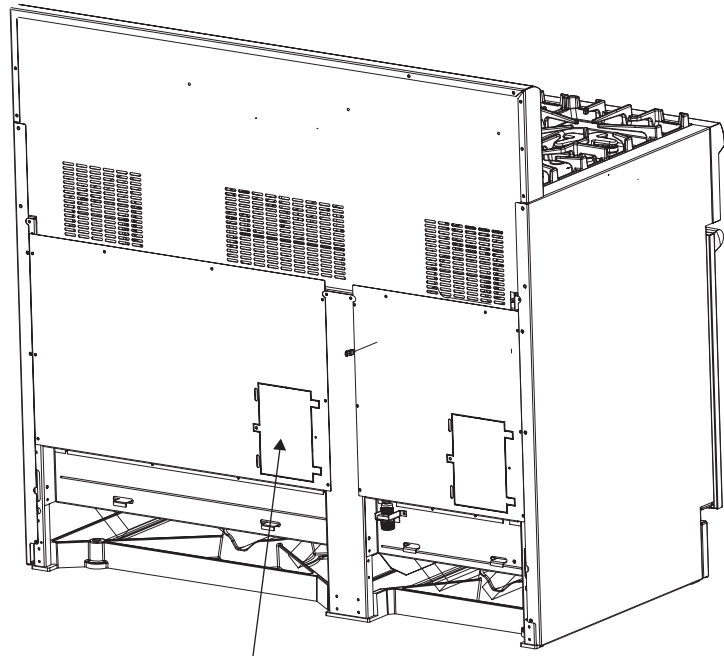


Figure 9 : Emplacement de la boîte de jonction pour cuisinières à 30 et 36 po



Emplacement de la boîte de jonction pour cuisinières à 48 po

Figure 10 : Emplacement de la boîte de jonction pour cuisinières à 48 po

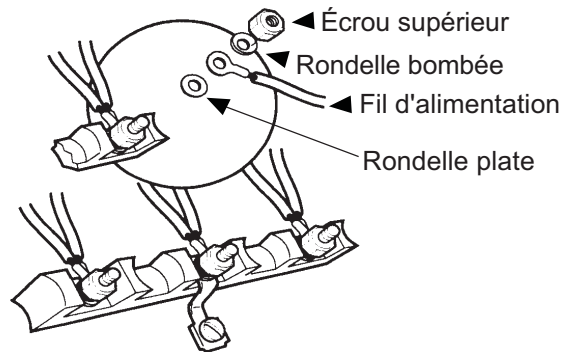


Figure 11 : Conductor Securement

- **CORDON 3 CONDUCTEURS - OÙ LES CODES ET RÈGLEMENTS LOCAUX PERMETTENT LA MISE À LA TERRE PAR LE NEUTRE ET LA CONVERSION D'ALIMENTATION À 4 FILS N'EST PAS PRATIQUE, L'APPAREIL PEUT ÊTRE BRANCHÉ SUR L'ALIMENTATION AVEC TRIPOLAIRE. NÉCESSAIRE CORDON 3 CONDUCTEURS COTÉ 125/250 VOLTS, 50 AMPÈRES ET MARQUÉ POUR UTILISATION AVEC CUISINIÈRE.** Le nécessaire de cordon doit être fixé sur la boîte de jonction avec un réducteur de tension qui s'adapte à un trou de 1 po de diamètre. Si non déjà équipé, le cordon doit avoir des cosses en boucle fermée 1/4 po attachées aux extrémités libres des conducteurs individuels, préférentiellement soudés en place.

Installateur - indiquer au propriétaire l'emplacement du coupe-circuit ou du fusible.
Le noter à des fins de références.

Une alimentation à 3 ou 4 conducteurs peut être branchée sur le bloc de bornes.

Connexion à 3 fils

1. Enlever les écrous supérieurs seulement des tiges de bloc de bornes. **Ne pas enlever les écrous qui maintiennent les fils de câblage internes de la cuisinière.**
2. Fixer le neutre, fil de mise à la terre du circuit d'alimentation, sur la tige centrale du bloc de borne avec un écrou, Voir Figure 12.
3. Fixer les fils L1 (noir) et L2 (rouge) sur les tiges de bloc de borne extérieures (couleur laiton) avec des écrous.
4. Bien serrer les écrous.

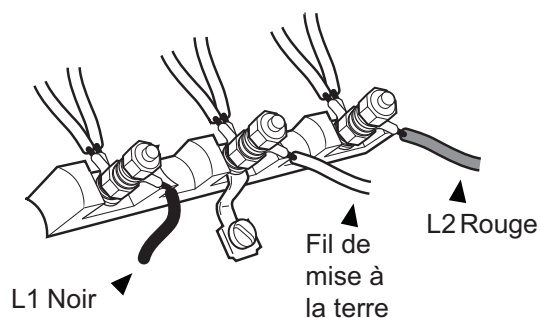


Figure 12 : Connecteur à 3 fils

Connexion à 4 fils

1. Enlever les écrous supérieurs seulement des tiges de bloc de bornes. **Ne pas enlever les écrous qui maintiennent les fils de câblage internes de la cuisinière.**
2. Enlever la vis du connecteur de terre et plier le connecteur comme à la Figure 13.
3. Fixer le fil neutre sur la tige centrale du bloc de borne avec un écrou.
4. Fixer les fils L1 (noir) et L2 (rouge) sur les tiges de bloc de borne extérieures (couleur laiton) avec des écrous.
5. Fixer le fil de mise à la terre cuivre nu sur le châssis de la cuisinière à l'aide de la vis de mise à la terre précédemment utilisée pour le connecteur de terre. S'assurer que les bornes de neutre et de mise à la terre ne se touchent pas.
6. Bien serrer toutes les connexions.

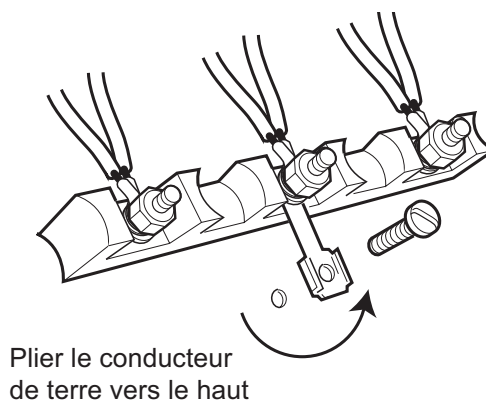


Figure 13 : Conducteur de terre

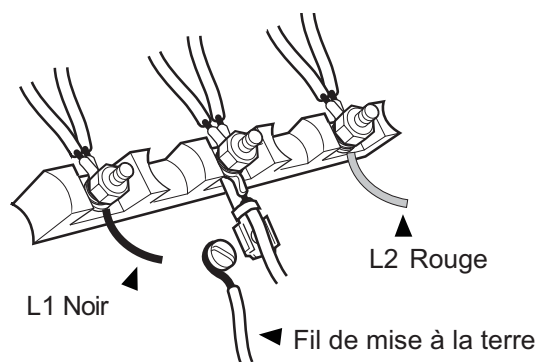


Figure 14 : Fil neutre sécuritaire

Chapitre 7 : Installation du dossieret

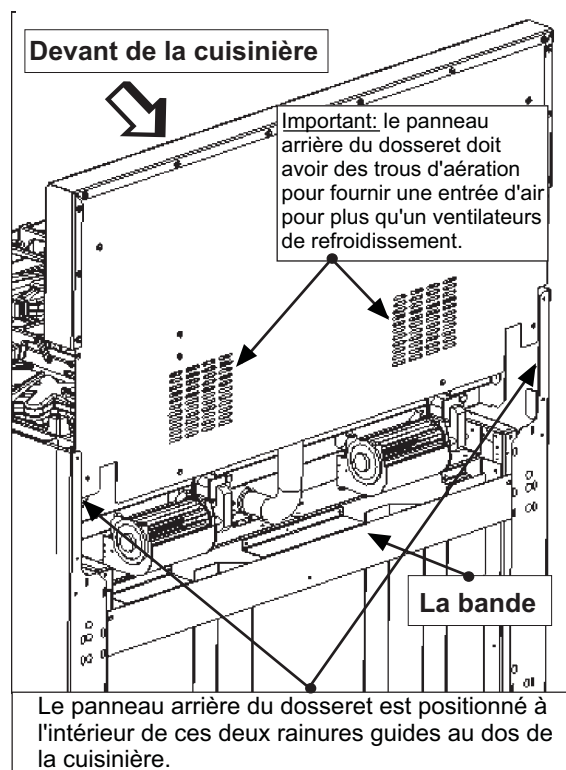


Figure 15 : Emplacement du dossieret



AVERTISSEMENT

- Pour éviter les brûlures ou risque d'incendie, un dossieret conçu spécifiquement pour cette cuisinière doit être installé lorsque l'appareil est utilisé.
- NE PAS tenter d'installer le dossieret, gamme GP, Thermador, qui est doté de trou d'aération dans le panneau arrière pour alimenter seulement un ventilateur de refroidissement (voir ci-dessus).

Voir le tableau C pour la taille correcte du kit de Dossieret pour la gamme.

- Le dossier doit être fixé avant de pousser la cuisinière en place. Un modèle profilé ou une tablette à casseroles doit être installé lorsqu'il y a moins de 12 po de dégagement pour un mur arrière combustible et le dos de la cuisinière au-dessus de la surface de cuisson. VOIR LE GUIDE D'INSTALLATION.
- La garniture d'îlot est disponible pour couvrir le dossier de la cuisinière pour les installations sur un îlot. Toutefois, la garniture peut être utilisée seulement lorsqu'il y a un dégagement horizontal minimum de 12 po entre le mur arrière combustible et le dos de la cuisinière.
- Le dossier est inséré à l'intérieur des rainures guides au dos de la cuisinière, tel qu'il est illustré en Figure 15. (Enlever la grille ou le gril pour un dégagement suffisant sur les cuisinières sur ces modèles). À l'aide d'un tourne-écrou Torx T-20, fixer le dossier avec les quatre (4) vis Torx sur les panneaux latéraux de la cuisinière.
- La tablette à casserole requiert un préassemblage du panneau supérieur à la tablette en utilisant les neuf (9) vis Torx comprises. Pour une charge suffisante, IL FAUT fixer deux (2) vis dans les coins inférieur du haut de la tablette. Utiliser trois (3) vis Torx pour installer la bande sur le dos de la cuisinière, tel qu'il est illustré. Le centre de la bande peut être supportée par une languette depuis le panneau arrière et ne requiert pas de vis.
- Pour fixer le devant du dossier, installer trois (3) vis Torx par le panneau avant inférieur du dossier, dans le rebord au dos de la surface de la cuisinière.
- La tablette à casserole au-dessus de la surface de cuisson permet de conserver les aliments chauds ou de ranger les casseroles. OBSERVER LES AVIS SUR LE CÔTÉ GAUCHE.



MISE EN GARDE

La tablette à casserole peut devenir très chaude

NE PAS placer ces articles sur le dessus de la tablette à casseroles.

- plastique ou contenant pouvant fondre
- articles inflammables
- une charge supérieure à 30 lb (13,6 kg)

Tableau C: Numéro de modèle de dossier				
Modèle	6 po Dossieret standard	9 po Dossieret bas	22 po Dossieret tablette á casserole	3 po Garniture pour îlot
30 po	Inclus avec la cuisinière	N/A	PAD30EHS	PAD30EITH
36 po	N/A	PAD36ELBH	PAD36EHS	PAD36EITH
48 po	N/A	PAD48ELBH	PAD48EHS	PAD48EITH

Chapitre 8 : Retrait et installation de la porte



MISE EN GARDE
FAIRE ATTENTION POUR RETIRER LA PORTE, ELLE EST LOURDE.

- S'assurer que le four est froid et que l'alimentation est hors circuit avant de retirer la porte. Sinon, il peut en résulter un choc électrique ou des brûlures.
- La porte est lourde et fragile. Utiliser les deux mains pour enlever ou installer la porte.
- Saisir les côtés de la porte pour enlever ou installer la porte.
- Si la porte n'est pas saisie fermement et adéquatement, cela peut causer des dommages au produit ou des blessures.
- Une fois la porte enlevée, ne pas dégager les leviers ni fermer les charnières. Sans le poids de la porte, les ressorts fermeront les charnières avec beaucoup de force.

Retrait de la porte :

1. Ouvrir complètement la porte
2. Abaisser la pince vers soi (Voir Photo C: à la page 25).
3. Fermer la porte jusqu'à ce qu'elle arrête (la pince ouverte maintient la porte à mi-chemin).
4. Saisir la porte par les côtés. Elle est lourde et fragile ; utiliser les 2 mains. Soulever la porte et la sortir (il y aura une certaine résistance des ressorts.) Lorsque le devant de la porte est suffisamment haut, il sera possible de la sortir droite.
5. Placer la porte dans un endroit sûr.



Photo B: Charnière en position fermée

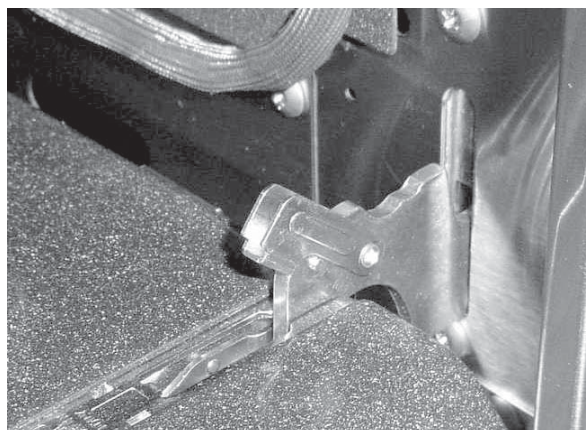


Photo C: Pousser la pince vers soi

Installation de la porte :

1. Tenir la porte par les côtés. Insérer les charnières dans les fentes. La porte sera ouverte à mi-chemin.
2. Il peut être nécessaire de presser fermement vers l'intérieur sur la portion inférieure de la porte avec un mouvement de bascule pour que la porte repose complètement sur les charnières.
3. Ouvrir la porte complètement pour exposer les pinces, les pousser loin de soi (vers le four) jusqu'à ce qu'elles rencontrent la charnière.
4. Fermer et ouvrir la porte lentement pour vérifier l'installation; elle doit être droite et non croche.

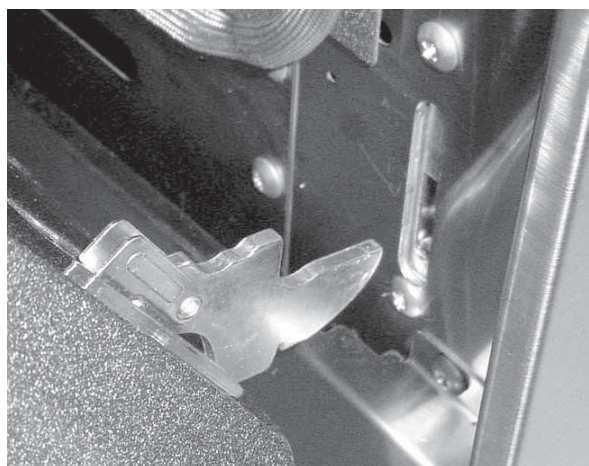


Photo D: Charnière retirée du four

Chapitre 9 : Test et réglage de brûler

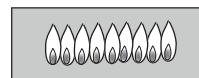
Installer tout composant lâche, tels capuchons et grilles de brûleurs, ayant été retirés précédemment. S'assurer que les capuchons de brûleurs sont adéquatement placés sur les bases des brûleurs. Avant de vérifier le fonctionnement de l'appareil, vérifier qu'il n'y a aucune fuite à l'appareil et à la soupape de gaz; que l'appareil est branché sur l'alimentation électrique. Ouvrir la soupape d'arrêt de gaz manuelle.

Vérifier les brûleurs de surface

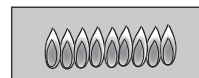
Vérifier l'allumage de brûleur. Choisir un bouton de brûleur. Pousser et tourner dans le sens contre horaire à HI. Le module allumeur/étincelle produit un clic. Une fois l'air purgé de la canalisation d'alimentation, le brûleur devrait s'allumer dans un délai de 4 secondes.

Vérifier la flamme. Réglage haute. Tourner le bouton à HI. Voir Figure 16 pour les caractéristiques de flamme appropriées.

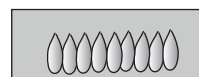
Flamme jaune :
Réglage nécessaire.



Pointe jaune sur cône extérieur:
Normal pour gaz LP.



Flamme bleue :
Normal pour gaz naturel.



Si la flamme est complètement ou presque jaune, s'assurer que le régulateur est réglé pour le combustible approprié. Après le réglage, vérifier de nouveau. Des rayures de couleur orangée sont normales pendant la mise en marche initiale. Laisser l'appareil fonctionner de 4 à 5 minutes et évaluer de nouveau avant d'effectuer les réglages.

Figure 16 : Caractéristiques de flamme

Si un des brûleurs de surface continue de presque brûler ou est complètement jaune, vérifier si le capuchon est positionné adéquatement sur la base du brûleur, puis essayer de nouveau. Si les caractéristiques de flamme ne s'améliorent pas, communiquer avec Thermador®.

Vérifier la flamme. Réglage bas. Tourner le bouton à LO. Vérifier si la flamme enveloppe complètement le brûleur. Il doit y avoir une flamme à chaque port du brûleur et il ne doit pas y avoir d'intervalle d'air entre la flamme et le brûleur. Si les brûleurs ne sont pas enveloppés, communiquer avec Thermador®.

Les 2 brûleurs de surface du côté gauche sont dotés de la fonction XLO®, faisant effectuer un cycle marche-arrêt à la flamme lorsque le bouton est réglé à XLO. Ceci est normal.

Répéter l'allumage et la vérification de flamme décrits ci-dessus pour chaque brûleur de surface et celui du gril (si tel est le cas).

Lorsque la flamme est adéquatement réglée:

Il doit y avoir une flamme à chaque port du brûleur. Il ne doit pas y avoir d'intervalle d'air entre la flamme et le port du brûleur.

Le gril à gaz utilise un brûleur de style tube doté d'un obturateur d'air qui permet le réglage de la quantité d'air primaire à l'intérieur du tube de brûleur.

Les obturateurs d'air des brûleurs tubes sont pré-réglés en usine et ne requièrent habituellement pas d'autre réglage sauf dans les cas d'installation à haute altitude.

Si un réglage de brûleur/flamme est requis, voir la marche à suivre "Réglage de flamme (au besoin):"

Réglage de flamme (au besoin):

Le brûleur tube utilisé avec les appareils Thermador® sont dotés de système d'obturateur d'air semblables à l'illustration, Figure 17, et peut être réglé à l'aide de la méthode suivante (à moins que le réglage ne soit pas recommandé). Il est nécessaire de retirer le brûleur de l'appareil afin d'effectuer les réglages d'obturateur d'air.

- Dévisser les vis d'obturateur et tourner l'obturateur à la nouvelle position.
- Régler l'obturateur en position plus fermée si la flamme est soulevée ou instable ou si elle n'enveloppe.
- Régler l'obturateur en position plus ouverte si la flamme est trop jaune (Voir Figure 17).

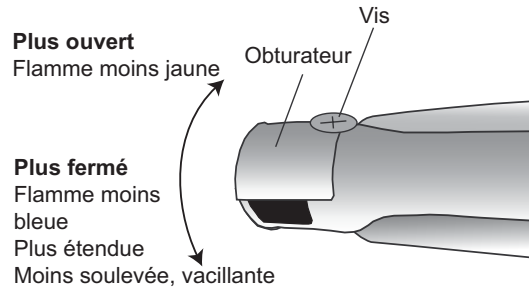


Figure 17 : Réglage de l'obturateur d'air (au besoin)

- Serrer la vis d'obturateur
- Après le réglage, réinstaller le brûleur et vérifier la flamme. L'obturateur d'air doit s'ajuster sur l'orifice pour un fonctionnement approprié du brûleur.
- Répéter la marche à suivre jusqu'à ce que les caractéristiques de la flamme soient acceptables (Voir Figure 16).



AVERTISSEMENT

Les réglages de brûleurs doivent être effectués par un technicien qualifié. Un mauvais réglage peut causer des émanations nocives ou annuler la garantie de l'appareil.

Laisser les brûleurs refroidir avant de les enlever !

Communiquer avec Thermador® si :

1. Un brûleur ne s'allume pas.
2. Si un brûleur continue de brûler jaune.

Liste de vérification pour l'installateur

- Liste finale de vérification
- Les distances spécifiées entre l'appareil et les armoires adjacentes sont respectées.
 - Le nivellement de l'appareil d'avant vers l'arrière, et d'un côté à l'autre a été effectué.
 - Les chapeaux de brûleurs ont bien placés sur la base du brûleur.
 - Tous les matériaux d'emballage ont été enlevés.
 - La garniture d'îlot ou le dossier installé selon les instructions.
 - La base a été fixée à l'aide de deux (2) vis.
 - La grille ou plaque de grill et le cadre sont bien positionnés, inclinés légèrement vers l'avant (voir Page 12).

Alimentation en gaz

- Le robinet manuel d'arrêt de gaz a été installé à un endroit accessible (sans devoir déplacer la cuisinière).
- L'appareil a été testé et n'a pas de fuites de gaz.
- Si le cuisinière fonctionne au gaz propane, assurez-vous que l'alimentation en propane est pourvue de son propre détendeur en plus du détendeur fourni avec l'appareil.

Électricité

- La prise de courant sur laquelle le cordon d'alimentation est branché est bien protégée contre les surtensions.
- Une mise à la terre adéquate a été installée.

Fonctionnement

- Les cadrans des boutons sont bien centrés et les boutons tournent librement.
- Chaque brûleur s'allume correctement, seul ou avec d'autres brûleurs allumés.
- Le gril ou la grille est légèrement incliné vers l'avant et ne bouge pas (certains modèles).
- Les crochets charnières de porte(s) du(des) four(s) sont bien en place et se verrouillent correctement. La porte s'ouvre et se ferme correctement.
- Les grilles des brûleurs sont bien placées, nivelées et ne bougent pas.
- Mise en marche de l'autonettoyage. Lorsque le voyant LOCK (verrouillage) s'allume, vérifier si la porte est verrouillée. Annuler le mode autonettoyage.
- INSTALLATEUR : laisser les GUIDES D'UTILISATION et D'ENTRETIEN et D'INSTALLATION avec le propriétaire.

Nettoyage et protection des surfaces externes

Les surfaces en acier inoxydable se nettoient en passant un chiffon mouillé à l'eau savonneuse. Rincez à l'eau claire puis séchez avec un chiffon sec pour éviter les traces d'eau. Retirez les traces de doigts et les traînées avec un produit à vitres doux.

En cas de décoloration ou de tache persistante, consultez le Manuel d'utilisation et d'entretien.

Pour faire briller et protéger l'acier inoxydable, utilisez un produit nettoyant ou un poli comme Stainless Steel Magic®.

NE laissez PAS les taches s'incruster.

N'utilisez PAS de tampons ni de brosses métalliques. De petits morceaux de métal risquent d'adhérer à la surface et de la faire rouiller.

NE laissez PAS les solutions salines, les désinfectants, l'eau de Javel ou les produits de nettoyage en contact avec l'acier inoxydable. Ces produits contiennent en général des produits chimiques susceptibles de l'endommager. Rincez-les à l'eau puis séchez avec un chiffon sec.

Specifications are for planning purposes only. Refer to installation instructions and consult your countertop supplier prior to making counter opening. Consult with a heating and ventilating engineer for your specific ventilation requirements. For the most detailed information, refer to installation instructions accompanying product or write Thermador indicating model number.

We reserve the right to change specifications or design without notice. Some models are certified for use in Canada. Thermador is not responsible for products which are transported from the U.S. for use in Canada. Check with your local Canadian distributor or dealer.

Les spécifications ne sont fournies qu'à titre prévisionnel. Consultez les instructions d'installation et le fournisseur de votre plan de travail avant de le modifier. Consultez un entrepreneur en chauffage et en climatisation pour vos conditions spécifiques de ventilation. Pour une information plus détaillée, reportez-vous aux instructions d'installation jointes au produit ou bien écrivez à Thermador en indiquant le numéro du modèle.

Nous nous réservons le droit de modifier les caractéristiques ou le design sans préavis. Certains modèles sont approuvés pour le Canada. Thermador n'est pas responsable des produits transportés des États-Unis pour être utilisés au Canada. Veuillez vous renseigner auprès de votre distributeur ou détaillant canadien.

Thermador[®] | *An American Icon*[™]