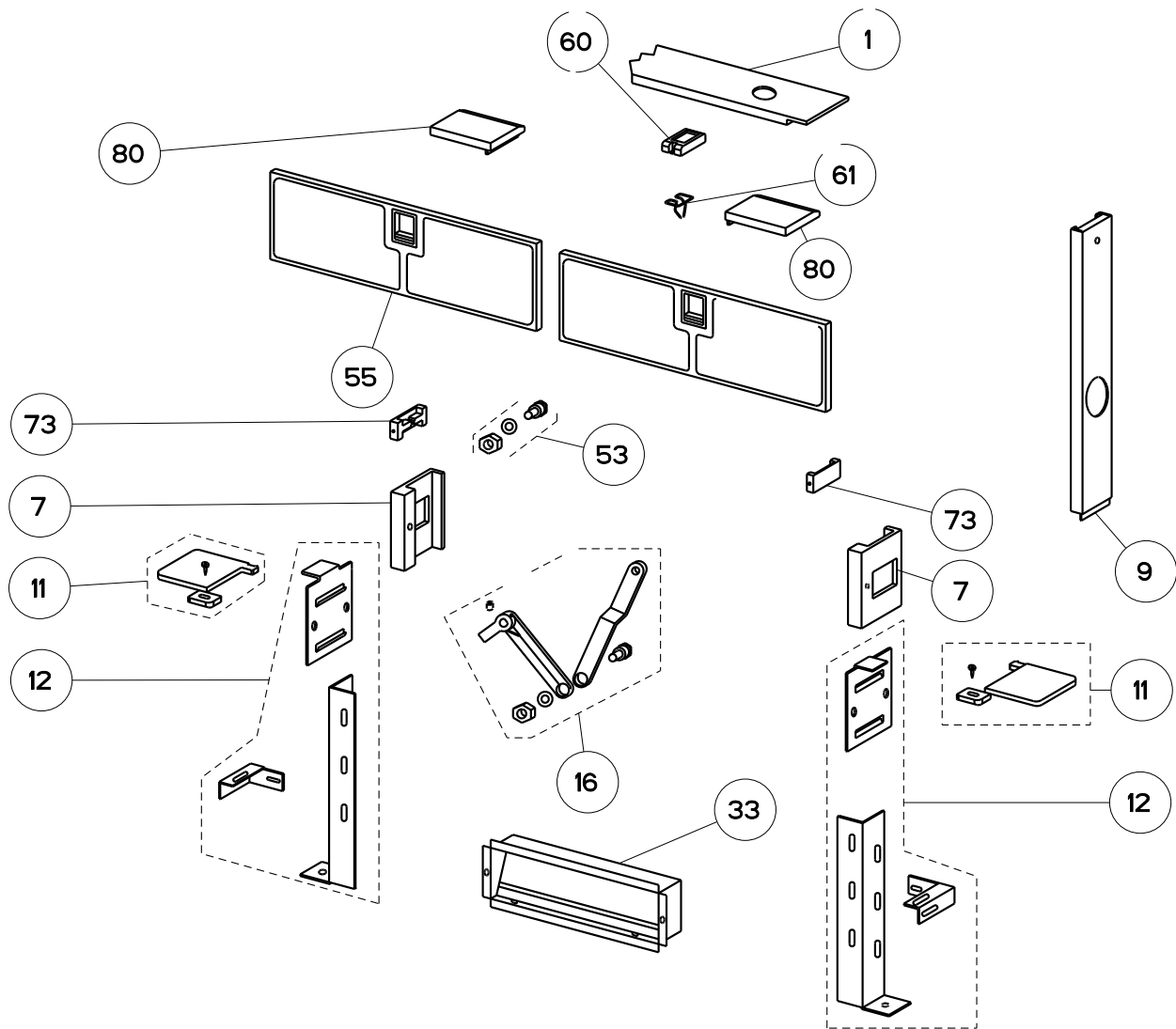


# SCIROCCO

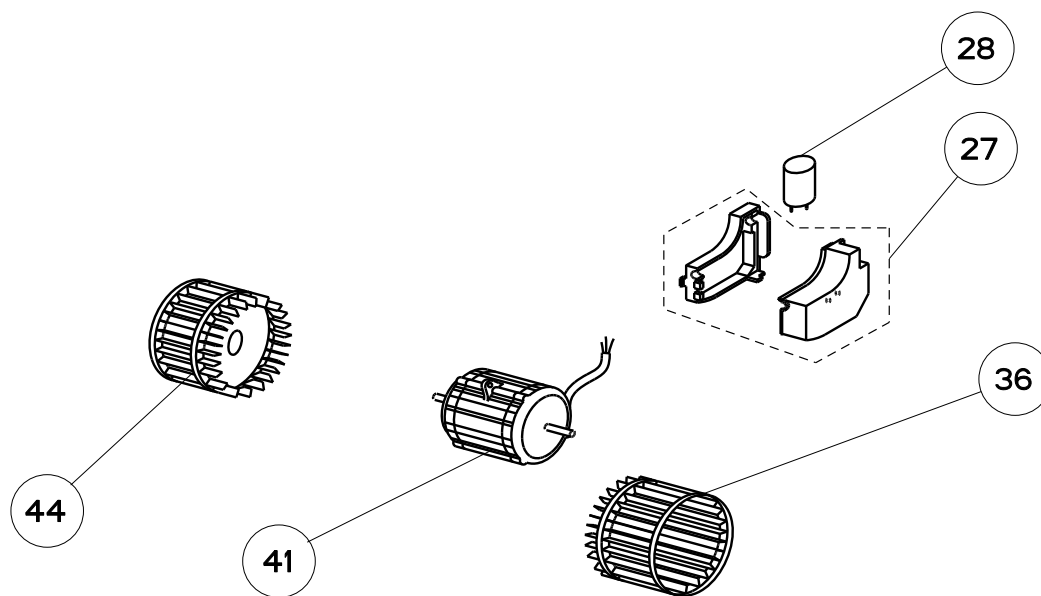
## body components



		6058028	6058029	6058030	6058031	
Key	Description	30 Internal	36 Internal	30 Remote	36 Remote	Qty Req.
1	Front Strip	133.0084.920	133.0084.924	133.0084.920	133.0084.924	1
7	Plenum Guide Side Right	133.0084.883	133.0084.883	133.0084.883	133.0084.883	1
9	Right Plenum Side	133.0084.884	133.0084.884	133.0084.884	133.0084.884	1
11	End Cap Kit	133.0084.921	133.0084.921	133.0084.921	133.0084.921	1
12	Support Brackets Kit	133.0084.886	133.0084.886	133.0084.886	133.0084.886	1
16	Raising Arm Kit	133.0084.888	133.0084.888	133.0084.888	133.0084.888	1
33	Damper	133.0071.817	133.0071.817			1
53	Pivot Handle kit	133.0084.892	133.0084.892	133.0084.892	133.0084.892	1
55	Grease Filter	133.0084.926	133.0084.927	133.0084.926	133.0084.927	2
60	Front Fixing Bracket	133.0084.922	133.0084.922	133.0084.922	133.0084.922	3
61	Trim Clips	133.0056.198	133.0056.198	133.0056.198	133.0056.198	1
73	Lower Plenum Spacer	133.0084.897	133.0084.897	133.0084.897	133.0084.897	1
80	Front Trim Support Right	133.0084.923	133.0084.923	133.0084.923	133.0084.923	1
	Installation Hardware Kit	133.0084.483	133.0084.483	133.0084.483	133.0084.483	1

# SCIROCCO

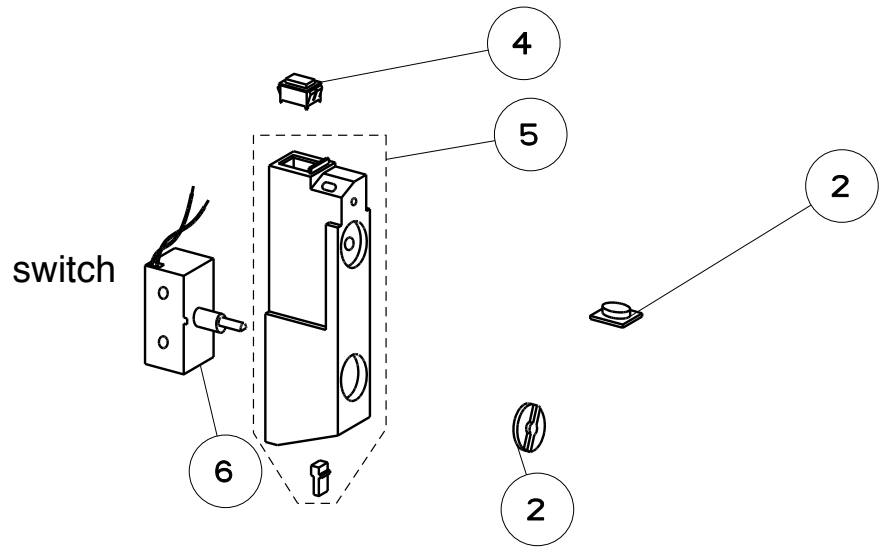
## motor components



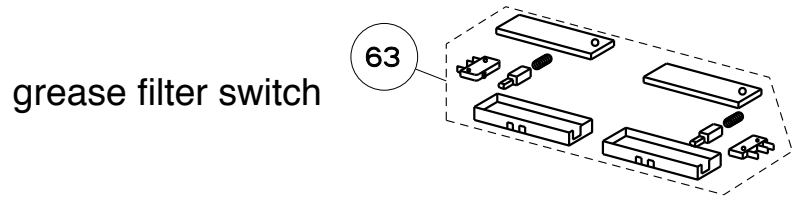
		6058028	6058029	6058030	6058031	
Key	Description	30 Internal	36 Internal	30 Remote	36 Remote	Qty Req.
27	Wiring Box Cover	133.0068.612	133.0068.612	na	na	1
28	Capacitor	133.0068.611	133.0068.611	na	na	1
36	Right Impeller	133.0052.879	133.0052.879	na	na	1
41	Motor	133.0058.796	133.0058.796	na	na	1
44	Left Impeller	133.0052.890	133.0052.890	na	na	1

# SCIROCCO

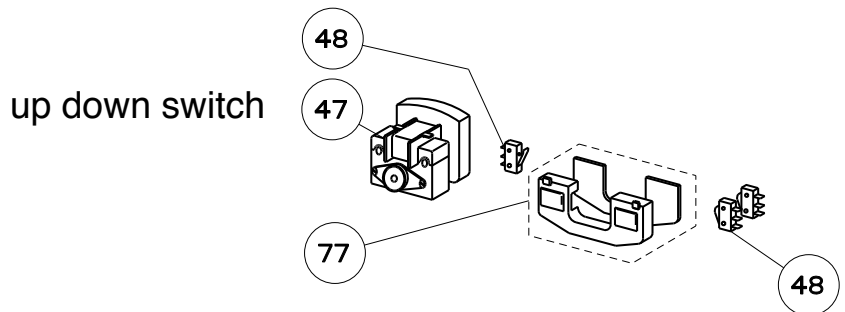
## electrical components



Key	Description		Qty Req.
2	Push Button & Speed Control Knob Kit	133.0084.879	1
4	On / Off switch	133.0084.880	1
5	Switch Housing Kit	133.0084.881	1
6	Speed Control	133.0084.882	1



Key	Description		Qty Req.
63	Grease Filter Switch Kit	133.0052.191	1



Key	Description		Qty Req.
47	Gearmotor	133.0084.890	1
48	Microswitch with Lever	133.0057.269	3
77	Microswitch box	133.0084.898	1