

Scirocco

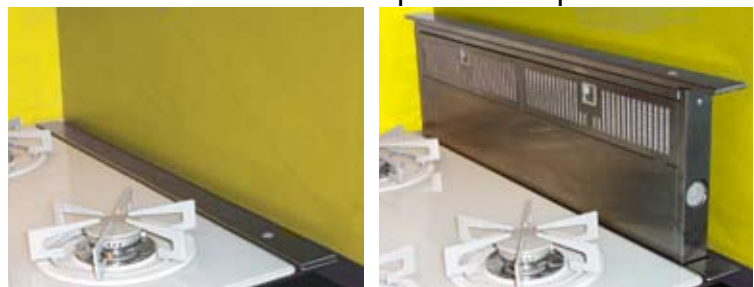
a disappearing downdraft

- downdraft vent system
- pops up and down
- flush with cooktop in down position
- sleek design
- safety microswitches
- 500 cfm for internal blower
- 900 cfm for remote blower
- variable speed control
- dishwasher safe grease filters
- stainless steel trim
- optional black or white trim
- four way venting
- some range: 3.5 - 6.5
- 3 1/4" x 10" duct (internal)
- 10" round duct (remote)



FABER

The Scirocco downdraft is perfect for island installations, where an overhead canopy would be obstructive, or wall installations where cabinet space is at a premium.

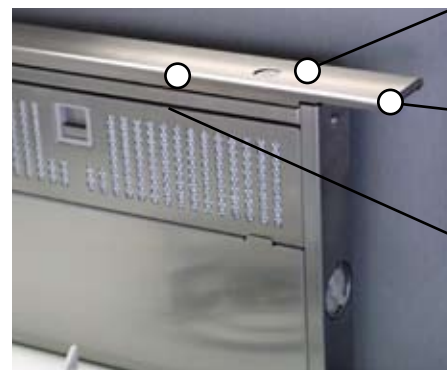


Rising a full 8 1/4" above the cooktop, the Scirocco vents horizontally across the cooking surface and down through the exhaust vent. At the press of a button, the stainless steel Scirocco retracts back down into the counter.



Size/Color/Model

30 Stainless Internal	6058028
36 Stainless Internal	6058029
30 Stainless Remote	6058030
36 Stainless Remote	6058031
900 cfm Remote Blower	630001732

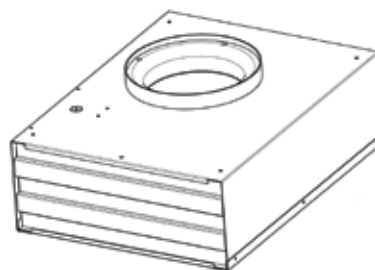


Momentary delay up/down button prevents the unit from raising or lowering when cleaning the top trim.

Spring secured top trim pops off automatically if an object or finger obstructs its path.

Safety microswitches on the grease filters prevent the Scirocco from lowering when grease filters are not installed.

For more power, the Remote Blower can be mounted on the wall or roof outside the home



READ THE INSTALLATION INSTRUCTIONS FOR BOTH THE REMOTE BLOWER AND THE SCIROCCO DOWNDRAFT SYSTEM BEFORE INSTALLING EITHER PRODUCT.

a
c
c
e
s
s
o
r
i
e
s

Trim Kits

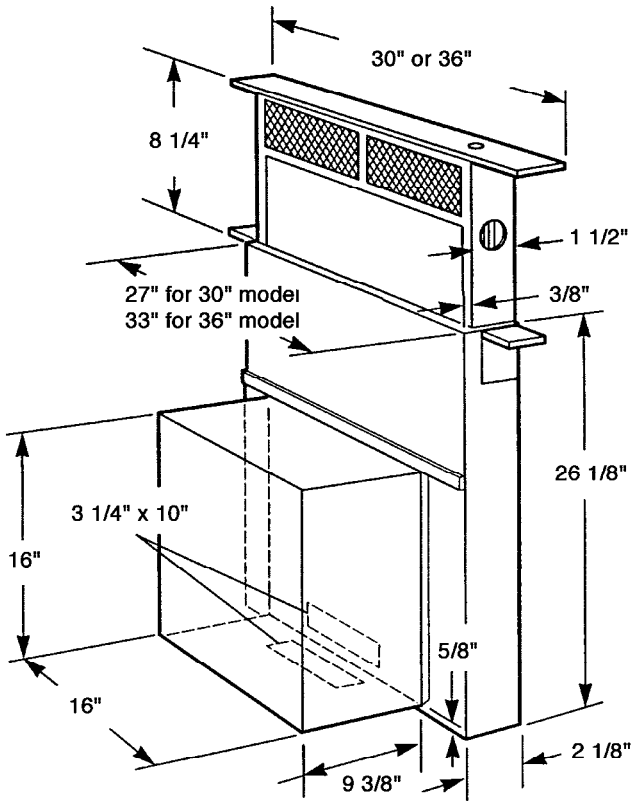
To replace the stainless steel top trim with a black or white trim

30 White	6096090
36 White	6096091
30 Black	6096092
36 Black	6096093

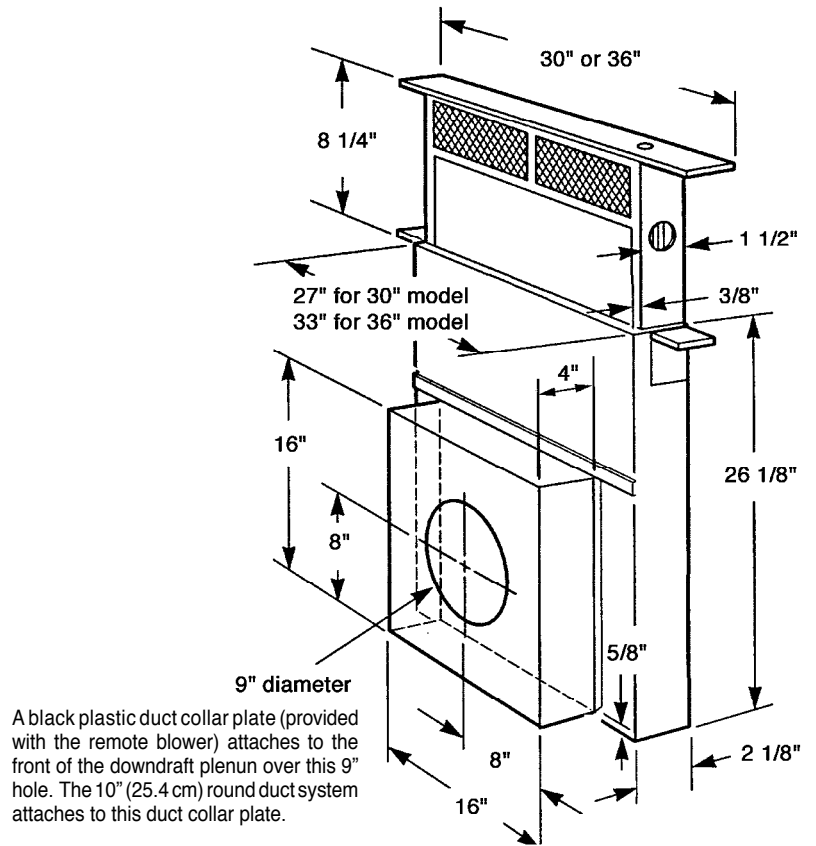
NOT FOR USE WITH COMMERCIAL COOKTOPS

Dimensional Diagrams

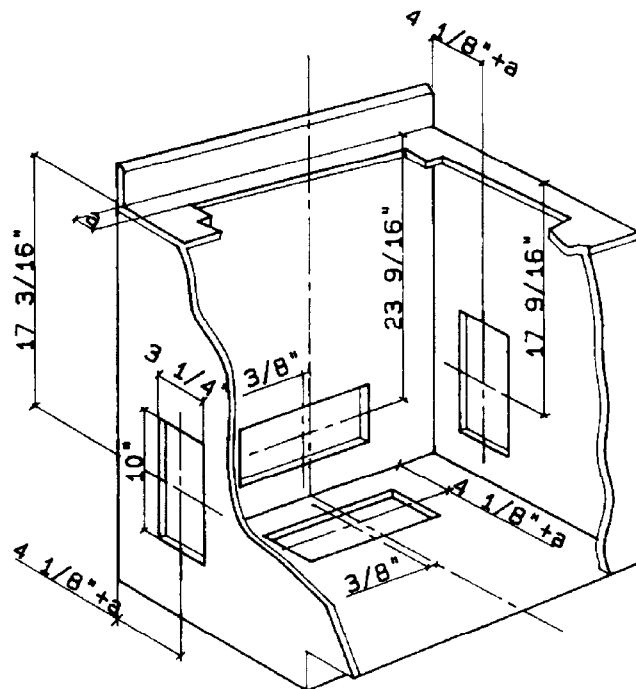
Internal Blower Model



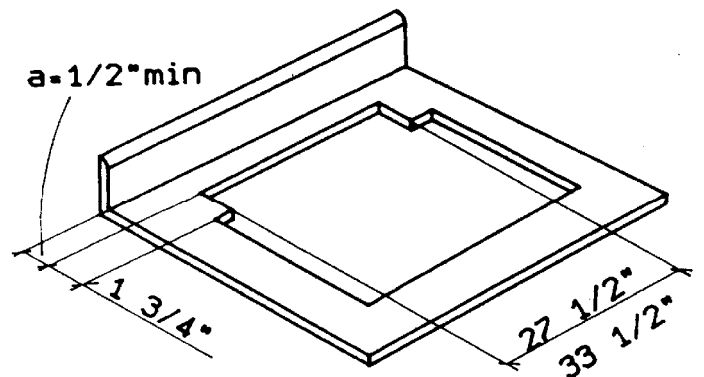
Remote Blower Model



Ductwork Cutout Dimensions For Internal Blower Model Only!



Countertop Cutout Dimensions For Both Internal and Remote Models



WARNING! You must know the cook top cutout to determine the downdraft cutout. Consult the cook top manufacturer's installation instructions before cutting the counter top.

WARNING! Product specifications are subject to change without notification. Consult the installation instructions for both the remote blower and the ventilation system before you begin installing this rangehood.

Rev. 06/08