

Synthesis

a value alternative in canopy hoods

Decorative Collection

- o wall canopy rangehood
- o traditional styling
- o 500 cfm or 280 cfm
- o 2 halogen lights
- o 3 speed control for 500 cfm models
- o 2 speed control for 280 cfm models
- o integrated control panel
- o dishwasher safe grease filters
- o convertible to ductless
- o adjustable mounting system
- o some range 500 cfm: 3.5 - 6.5
- o some range 280 cfm: max. 5.0
- o 6" round duct



Size/Color/Model

500 cfm models

30 Stainless	630001186
30 White	630002593
30 Black	630002595
36 Stainless	630001187
36 White	630002594
36 Black	630002596

280 cfm models

30 Stainless	630002458
36 Stainless	630002459



Designed to offer a high-end look without the high-end price tag, the Synthesis offers a chimney style rangehood for the price-conscious customer. Traditional styling, standard features, and solid performance make the Synthesis a great value in canopy rangehoods.

a c c e s s o r i e s	24" High Backsplash
	24" high, mounts to the wall beneath the rangehood for a coordinated look
	30 x 24 Stainless 6098835
	30 x 24 White 6098836
	30 x 24 Black 6098837
	36 x 24 Stainless 6098815
	36 x 24 White 6098816
36 x 24 Black 6098817	

s	30" High Backsplash
	30" high, mounts to the wall beneath the rangehood for a coordinated look
	30 x 30 Stainless 620000095
	36 x 30 Stainless 620000096

High Ceiling Chimney Kit

One 40" upper chimney to replace 16 3/8" upper chimney that came with hood

Stainless	620000070
White	620000164
Black	620000165

Ductless Conversion Kit

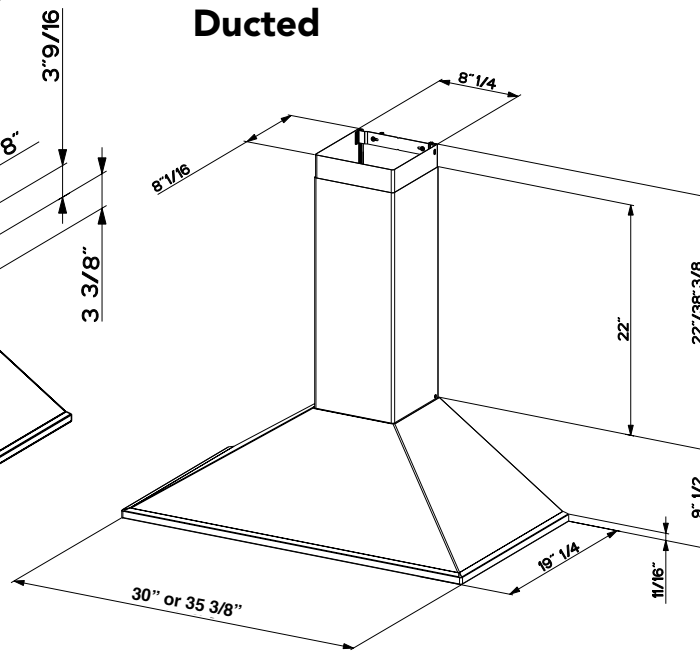
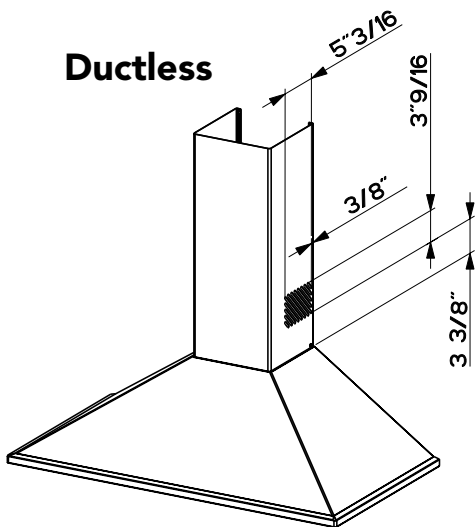
Includes: • Lower Chimney with holes for ducting • Ductless Diverter • Vent Grates • Two Charcoal Filters

Stainless	620000059
White	620000162
Black	620000163

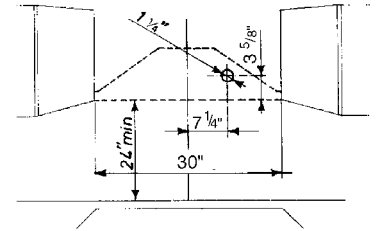
Replacement Charcoal Filter

6093034

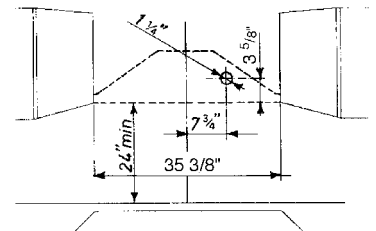
Dimensional Diagrams & Electrical Knockouts



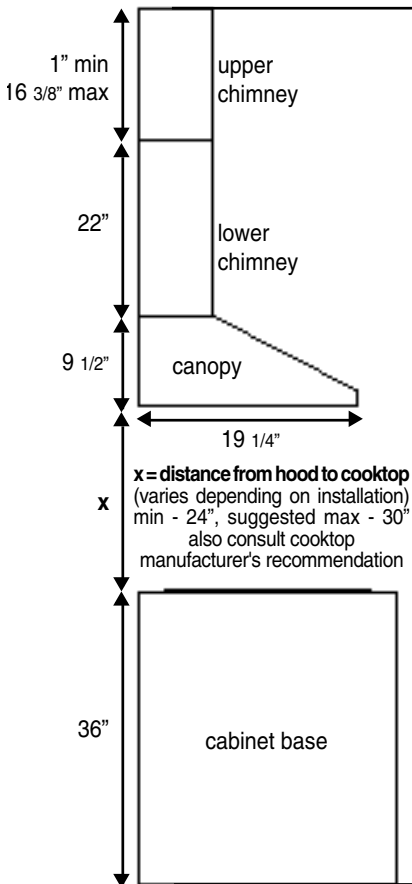
30" Model



36" Model



Pre-Planning Your Installation - Important: Consult the installation instructions before you begin installing this rangehood.



The Synthesis chimneys are adjustable and designed to meet varying ceiling heights. The chimneys can be adjusted for ceilings between 7' 8 1/2" and 9' 5 7/8" depending on the distance between the bottom of the hood and the cooktop (distance x in left diagram).

min & max ceiling height examples			
x = 24"	x = 26"	x = 28"	x = 30"
min	min	min	min
7' 8 1/2"	7' 10 1/2"	8' 1 1/2"	8' 2 1/2"
max	max	max	max
8' 11 7/8"	9' 1 7/8"	9' 3 7/8"	9' 5 7/8"

For shorter ceilings, have the chimney cover(s) cut at a sheet metal shop. For higher ceiling installations, the **High Ceiling Chimney Kit** includes a new 40" upper chimney which would replace the 16 3/8" upper chimney that came with the hood.

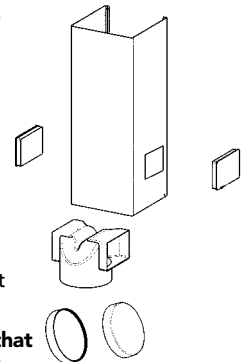
Make your ductrun as straight and short as possible. The ductrun should not exceed 35 equivalent feet if ducted with the required minimum of 6" round duct. Count 45° angles as 3 feet, 90° elbows as 5 feet, and 90° flat elbows as 12 feet.

For best results, use no more than three 90° elbows. Make sure that there is a minimum of 24" of straight duct between elbows if more than one is used. Do not install two elbows together. If you must elbow right away, do it as far away from the hood's exhaust opening as possible.

Ductless Installations*

For installations where ductwork is impossible or highly impractical, a **Ductless Conversion Kit** is available. A charcoal filter, which attaches under the blower assembly, absorbs smoke and odors. A ductless diverter assembly directs the air out to a lower chimney with vent grates cut into the sides.

*** it is highly recommended that professional style cooking always be vented to the outside.**



WARNING! Product specifications are subject to change without notification. Consult the installation instructions before you begin installing this rangehood.