

Frigidaire

Factory Parts Catalog

Product No.	GLHT214TJB0	GLHT214TJK0	GLHT214TJQ0	GLHT214TJS0	GLHT214TJW0
Series	R134a	R134a	R134a	R134a	R134a
Color	black	stainless (LH)	bisque	stainless (RH)	white
Volts	115	115	115	115	115
Wiring Diagram	241582401	241582401	241582401	241582401	241582401
Owner's Guide	241857201	241857201	241857201	241857201	241857201
Market	North America	North America	North America	North America	North America
Energy Guide	241868024	241868024	241868024	241868024	241868024
Service Data Sheet	241588203	241588203	241588203	241588203	241588203
Installation Instructions	240568303	240568303	240568303	240568303	240568303



Electrolux Major Appliances
 North & Latin America
 P.O. BOX 212378
 AUGUSTA, GA 30917

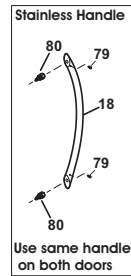
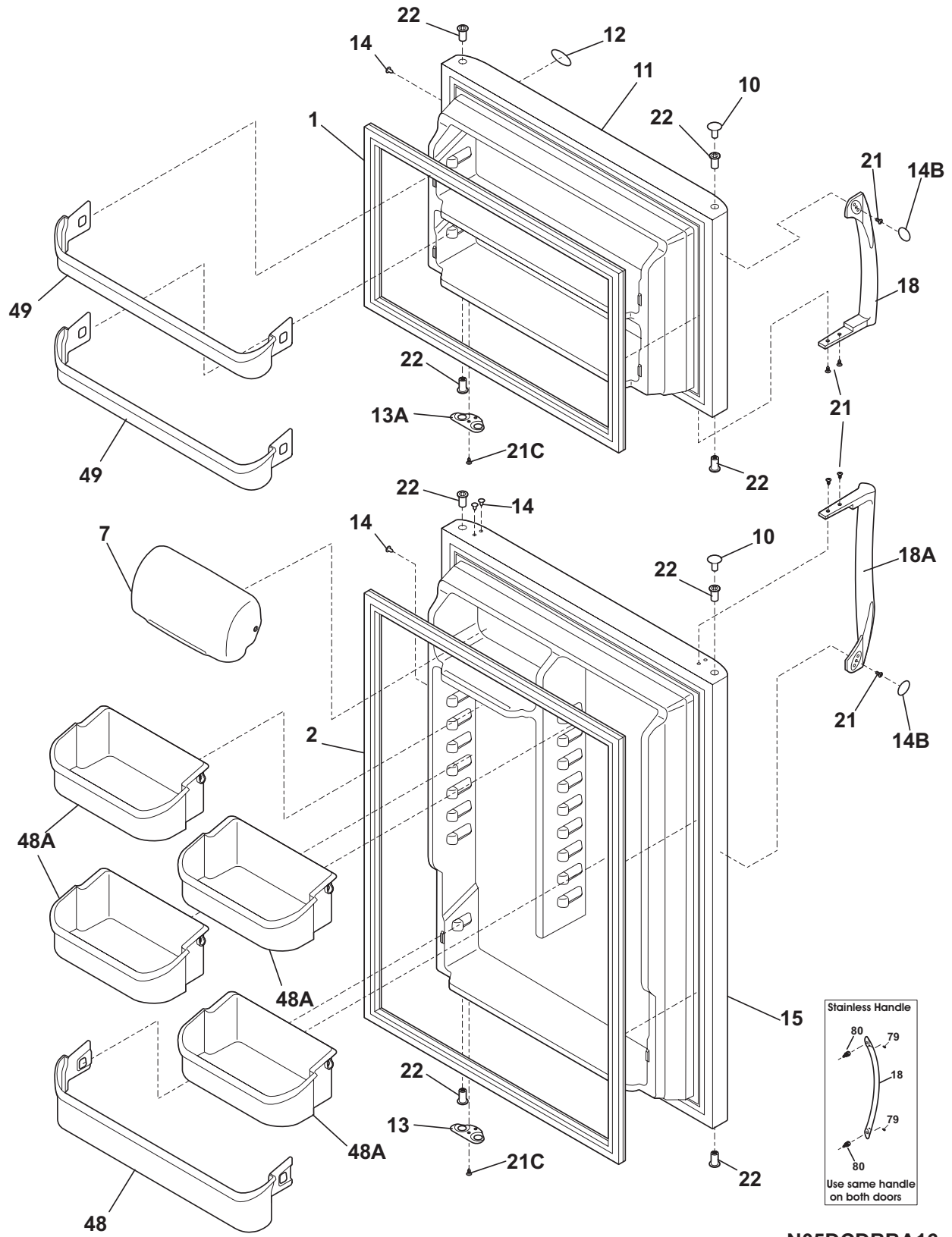
Publication No.
5995506580
 08/02/08
 (EN/SERVICE/DCS)
 137

**TOP-MOUNT
 REFRIGERATOR**

Model No.
GLHT214TJ

Copyright © 2008 Electrolux Home Products, Inc.
 All rights reserved.

DOOR



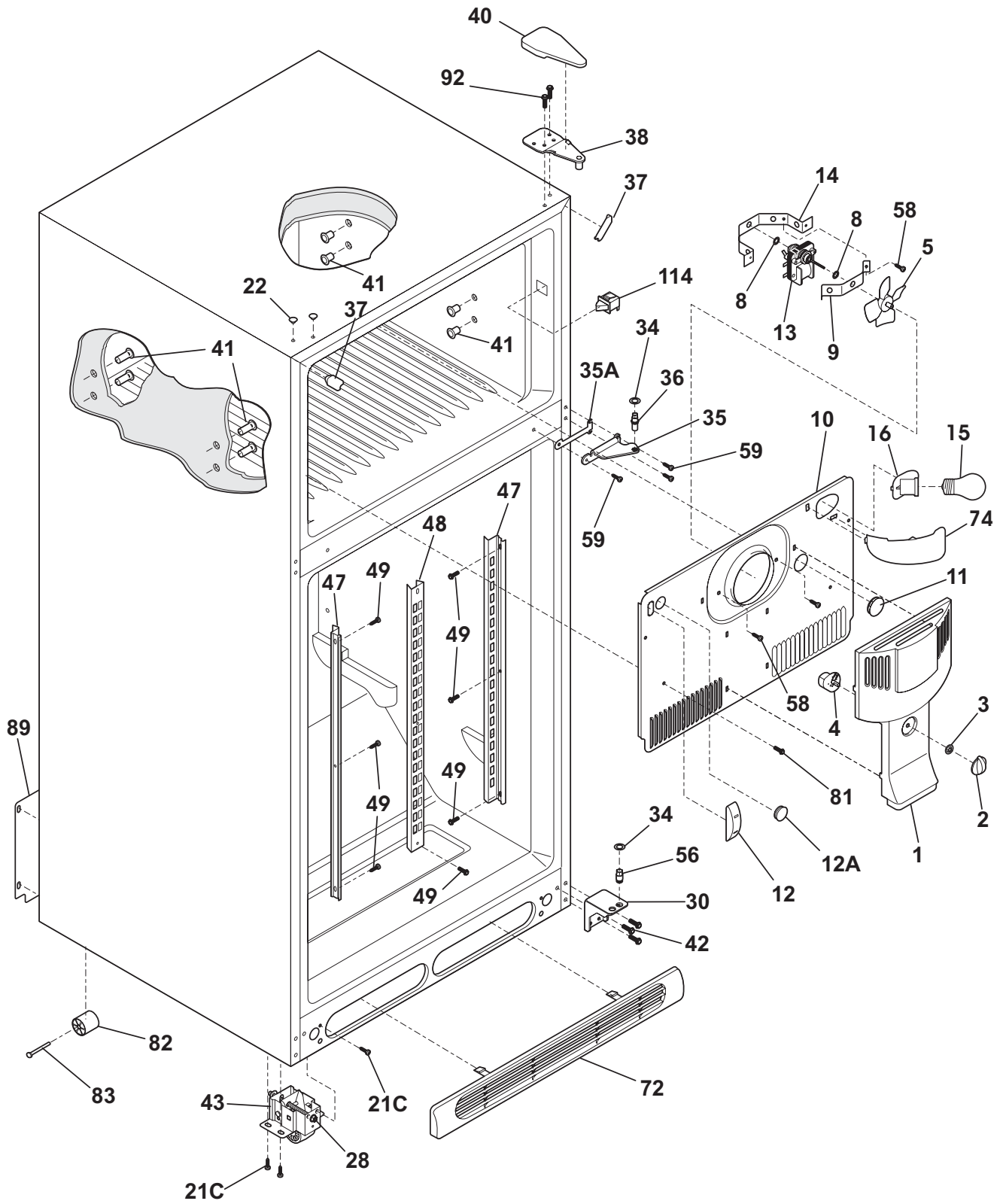
N05DCDBBA16

DOOR

Model Index: A GLHT214TJ (GLHT214TJB0)
 B GLHT214TJ (GLHT214TJK0)
 C GLHT214TJ (GLHT214TJQ0)
 D GLHT214TJ (GLHT214TJS0)
 E GLHT214TJ (GLHT214TJW0)

POS. NO	PART NO.		DESCRIPTION
1 #	241872511	A B - D -	Gasket-frzr door, black, magnetic
1	241872505	- - C - E	Gasket-frzr door, white, magnetic
2 #	241872514	A B - D -	Gasket, refr door seal, black, magnetic
2 #	241872513	- - C - E	Gasket, refr door seal, white, magnetic
7	240338303	A B C D E	Door, dairy, clear
10	240381303	A - - - -	Plug-button, black, hinge brg hole
10	240381302	- - C - -	Plug-button, bisque, hinge brg hole, (2)
10	240381301	- - - - E	Plug-button, white, hinge brg hole, (2)
11	241798412	A - - - -	Door-frzr, black, complete assy
11	240450363	- B - - -	Door, frzr, stainless steel, LH
11	241798406	- - C - -	Door-frzr, bisque, complete assy
11	240450364	- - - D -	Door, frzr, stainless steel, RH
11	241798402	- - - - E	Door-frzr, white, complete assy
12	241808701	A B C D E	Nameplate
13	240312405	A B - D -	Door Stop, black, refr
13	240312407	- - C - -	Door Stop, bisque, ref
13	240312403	- - - - E	Door Stop, white, ref
13A	240312406	A B - D -	Door Stop, black, frzr
13A	240312408	- - C - -	Door Stop, bisque, frzr
13A	240312404	- - - - E	Door Stop, white, frzr
14	240494003	A - - - -	Plug-button, black
14	240494002	- - C - -	Plug-button, bisque
14	240494001	- - - - E	Plug-button, white
14B	240383603	A - - - -	Plug-button, black, door handle
14B	240383602	- - C - -	Plug-button, bisque, door handle
14B	240383601	- - - - E	Plug-button, white, door handle
15	241798516	A - - - -	Door-refr, black, complete assy
15	240450472	- B - - -	Door, refr, stainless, LH, complete assy
15	241798515	- - C - -	Door-refr, bisque, complete assy
15	240450473	- - - D -	Door, refr, stainless steel, RH
15	241798514	- - - - E	Door-refr, white, complete assy
18	240339203	A - - - -	Handle-door, black, refr-LH/frzr-RH
18	240413705	- B - D -	Handle-door, stainless steel, with insert
18*	241601001	- B - D -	Wrench, allen
18	240339204	- - C - -	Handle-door, bisque, refr-LH/frzr-RH
18	240339201	- - - - E	Handle-door, white, refr-LH/frzr-RH
18A	240339208	A - - - -	Handle-door, black, refr-RH/frzr-LH
18A	240339209	- - C - -	Handle-door, bisque, refr-RH/frzr-LH
18A	240339206	- - - - E	Handle-door, white, refr-RH/frzr-LH
21	240383406	A - C - E	Screw, truss hd quad, #10-16 x .500, zinc
21C	218252201	A B C D E	Screw, #8 truss hd, 10-32CA x 0.500
22	240527102	A B - D -	Bearing-hinge, black
22	240527101	- - C - E	Bearing-hinge, natural color
48	240338101	A B C D E	Bin-door, pseudo, bottom
48A	240338201	A B C D E	Bin-door, gallon
49	240495804	A B C D E	Bin-door, pseudo, frzr
79	218755402	- B - D -	Screw-set, 10-32 x 0.375
80	218755504	- B - D -	Screw-shoulder, #10 AB, handle mounting

CABINET



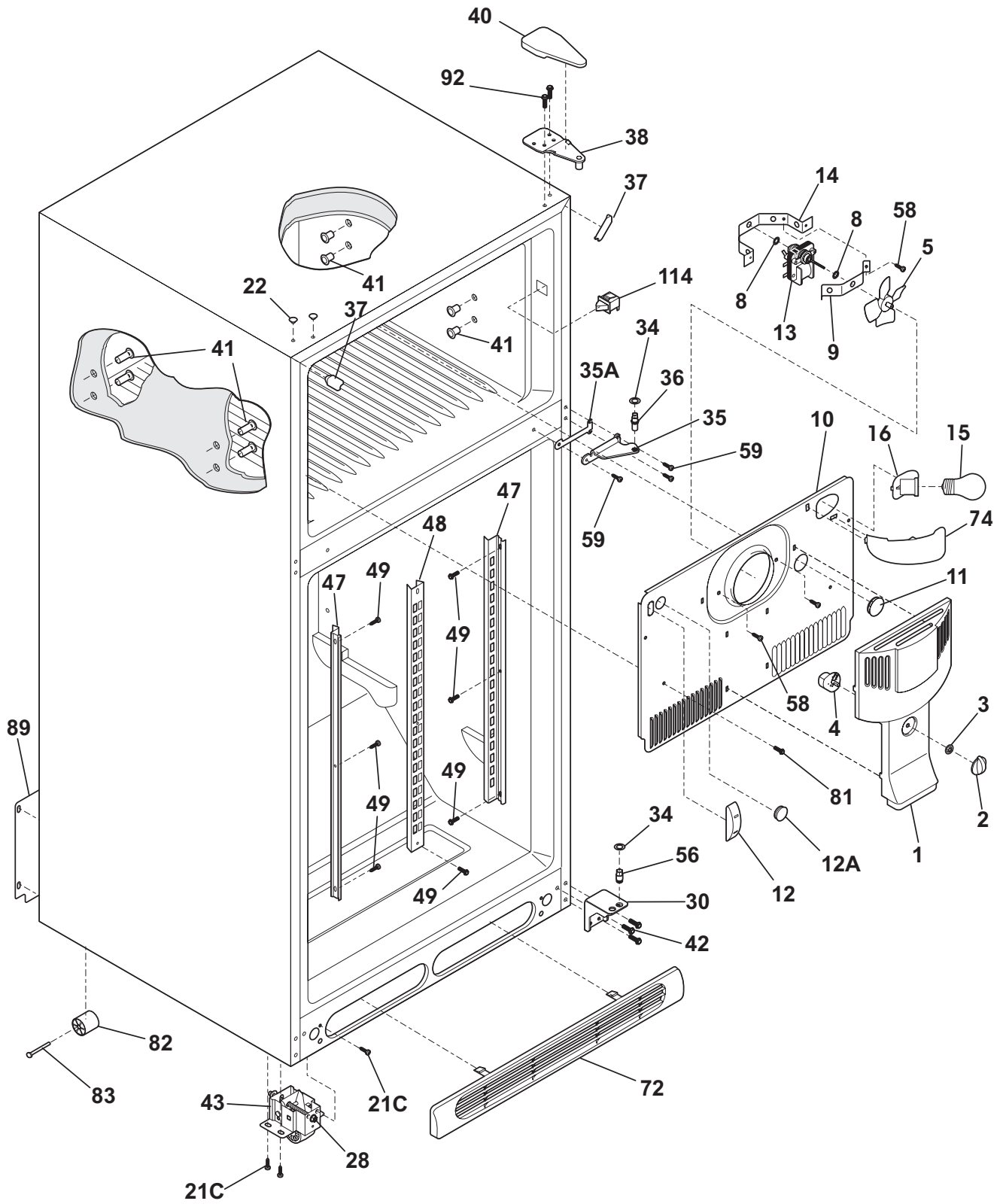
N05BAAABC8

CABINET

Model Index: A GLHT214TJ (GLHT214TJB0)
 B GLHT214TJ (GLHT214TJK0)
 C GLHT214TJ (GLHT214TJQ0)
 D GLHT214TJ (GLHT214TJS0)
 E GLHT214TJ (GLHT214TJW0)

POS. NO	PART NO.	A	B	C	D	E	DESCRIPTION
1	240355402	A	B	C	D	E	Cover-fan
2	240367001	A	B	C	D	E	Knob-damper control
3	5303212803	A	B	C	D	E	Nut
4	241523701	A	B	C	D	E	Damper-fan cover
5 #	5308000010	A	B	C	D	E	Fan Blade, red, evaporator fan
8	5300157666	A	B	C	D	E	Bushing-motor mtg, (2)
9	5303292396	A	B	C	D	E	Bracket-motor mtg, front
10	240313611	A	B	C	D	E	Cover-evap coil, w/light
10*	240568606	A	B	C	D	E	Seal-coil cover
10*#	241537701	A	B	C	D	E	Wiring Harness, freezer section, with light
11	5303208309	A	B	C	D	E	Plug-hole, factory test
12	241557601	A	B	C	D	E	Plug-ice maker harness, rectangular
12A	240374401	A	B	C	D	E	Plug-wtr inlet tube, round, 1"
12A*	241586701	A	B	C	D	E	Plug-foam-wtr-inlet, round
13	240369702	A	B	C	D	E	Motor-evap fan
13*	215474201	A	B	C	D	E	Washer, "slinger", nylon, evap fan shaft
14	5303292397	A	B	C	D	E	Bracket-motor mtg, rear
14*	240433204	A	B	C	D	E	Screw, hex washer head, 8-18 x 5/16
15	241560701	A	B	C	D	E	Light Bulb
16 #	241513901	A	B	C	D	E	Socket-light
21C	218252201	A	B	C	D	E	Screw, #8 truss hd, 10-32CA x 0.500
22	215774918	A	B	-	D	-	Plug-button, black, upr hinge holes
22	215774919	-	-	C	-	-	Plug-button, bisque, upr hinge holes
22	215774901	-	-	-	-	E	Plug-button, white, upr hinge holes
28	240335502	A	B	C	D	E	Bolt-roller adj, hex washer head, 1/4-20 x 4.020, (2), special
30	240314003	A	B	-	D	-	Bracket-lower hinge, black
30	240314011	-	-	C	-	E	Bracket-lower hinge, zinc
34	240311303	A	B	C	D	E	Washer, hinge, nylon, (2)
35	240313803	A	B	-	D	-	Bracket-ctr hinge, black
35	240313806	-	-	C	-	E	Bracket-ctr hinge, zinc
35A	240336803	A	B	-	D	-	Spacer-hinge, center, black
35A	240336802	-	-	C	-	E	Spacer-hinge, center
36	240516402	A	B	C	D	E	Pin-center hinge
37	240337610	A	B	-	D	-	Trim-cabinet corner, black, (2)
37	240337611	-	-	C	-	-	Trim-cabinet corner, bisque, (2)
37	240337608	-	-	-	-	E	Trim-cabinet corner, white, (2)
38	240313701	A	B	C	D	E	Bracket-upper hinge
40	240354404	A	B	-	D	-	Cover-upper hinge, black
40	240354403	-	-	C	-	-	Cover-upper hinge, bisque
40	240354401	-	-	-	-	E	Cover-upper hinge, white
41	5308009759	A	B	C	D	E	Grommet, shelf mtg, 1.25", LH, (4)
42	240578902	A	B	C	D	E	Screw, hex head, 1/4-20 x 5/8
43	240335005	A	B	C	D	E	Roller Assy, adjustable, front, (2)
47	218233301	A	B	C	D	E	Channel-shelf mtg, side, (2)
48	5303292395	A	B	C	D	E	Channel-shelf mtg, center
49	218362501	A	B	C	D	E	Screw, hex washer head, 8-18AB x 1.250, spacer, (2)

CABINET



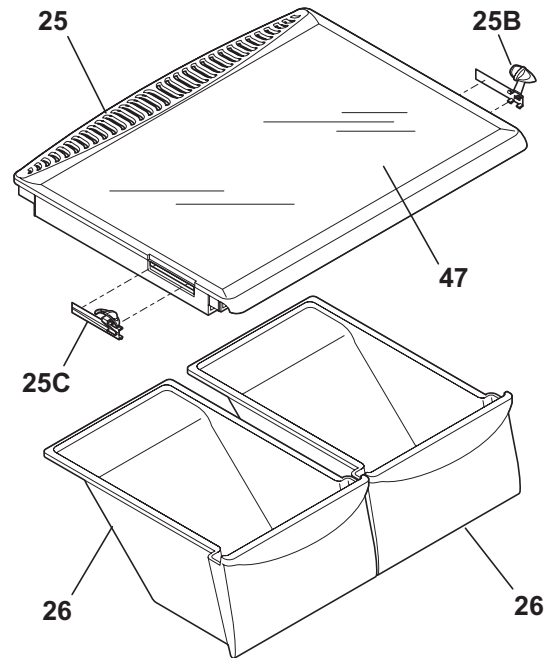
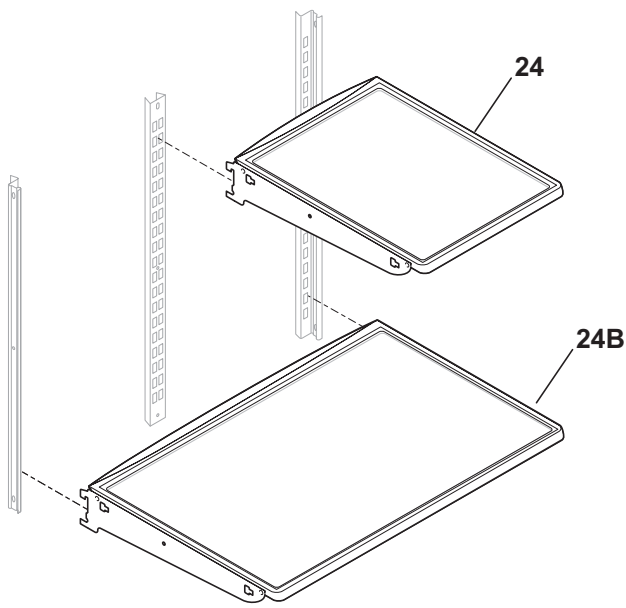
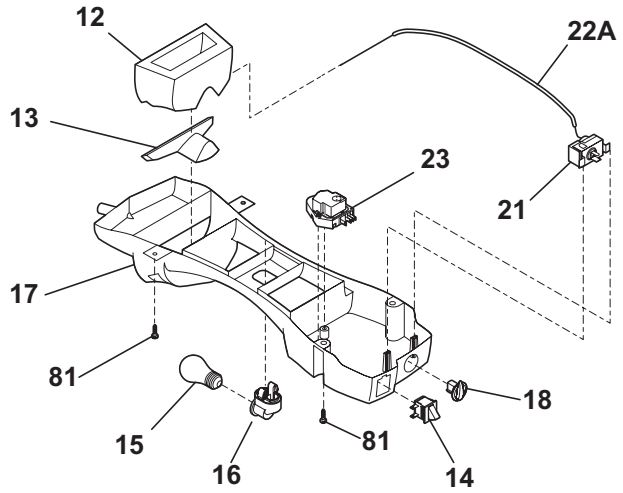
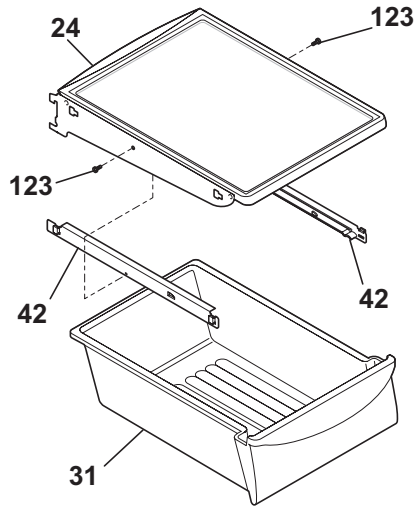
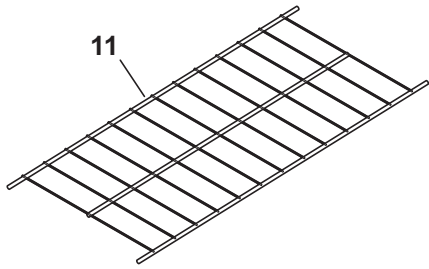
N05BAAABC8

CABINET

Model Index: A GLHT214TJ (GLHT214TJB0)
 B GLHT214TJ (GLHT214TJK0)
 C GLHT214TJ (GLHT214TJQ0)
 D GLHT214TJ (GLHT214TJS0)
 E GLHT214TJ (GLHT214TJW0)

POS. NO	PART NO.	A	B	C	D	E	DESCRIPTION
56	240516502	A	B	C	D	E	Pin-lower hinge
58	5304456287	A	B	C	D	E	Screw, hex washer head, 8-15A x 0.500
59	240442707	A	B	-	D	-	Screw-#10-32 X 3/4, black
59	240442706	-	-	C	-	E	Screw-#10-32 X 3/4, zinc
72	241839407	A	B	-	D	-	Grille/Kickplate, black
72	241839406	-	-	C	-	-	Grille/Kickplate, bisque
72	241839405	-	-	-	-	E	Grille/Kickplate, white
74	240354302	A	B	C	D	E	Shield-light, frzr
81	5304455650	A	B	C	D	E	Screw, hex washer head, 8-15A x 0.625, low profile
82	5304418225	A	B	C	D	E	Roller, compressor base, rear, (2)
83	5304455655	A	B	C	D	E	Rivet, flat head, 1/4 OD x 1-3/4, roller pin
89	241733907	A	B	C	D	E	Cover-access, with label
89*	241500303	A	B	C	D	E	Screw, hex washer head, 8-18AB x 0.500
92	241710601	A	B	C	D	E	Screw, hex washer hd, 1/4 x 7/8, hinge mtg
114	240505801	A	B	C	D	E	Switch, light/lamp
*	240479601	A	B	C	D	E	Plug, button, cab liner holes
*	5303321321	A	B	-	D	-	Paint, touch-up, black
*	5304414035	-	-	C	-	-	Paint, touch-up, bisque
*	5303321319	-	-	-	-	E	Paint, touch-up, white

SHELVES



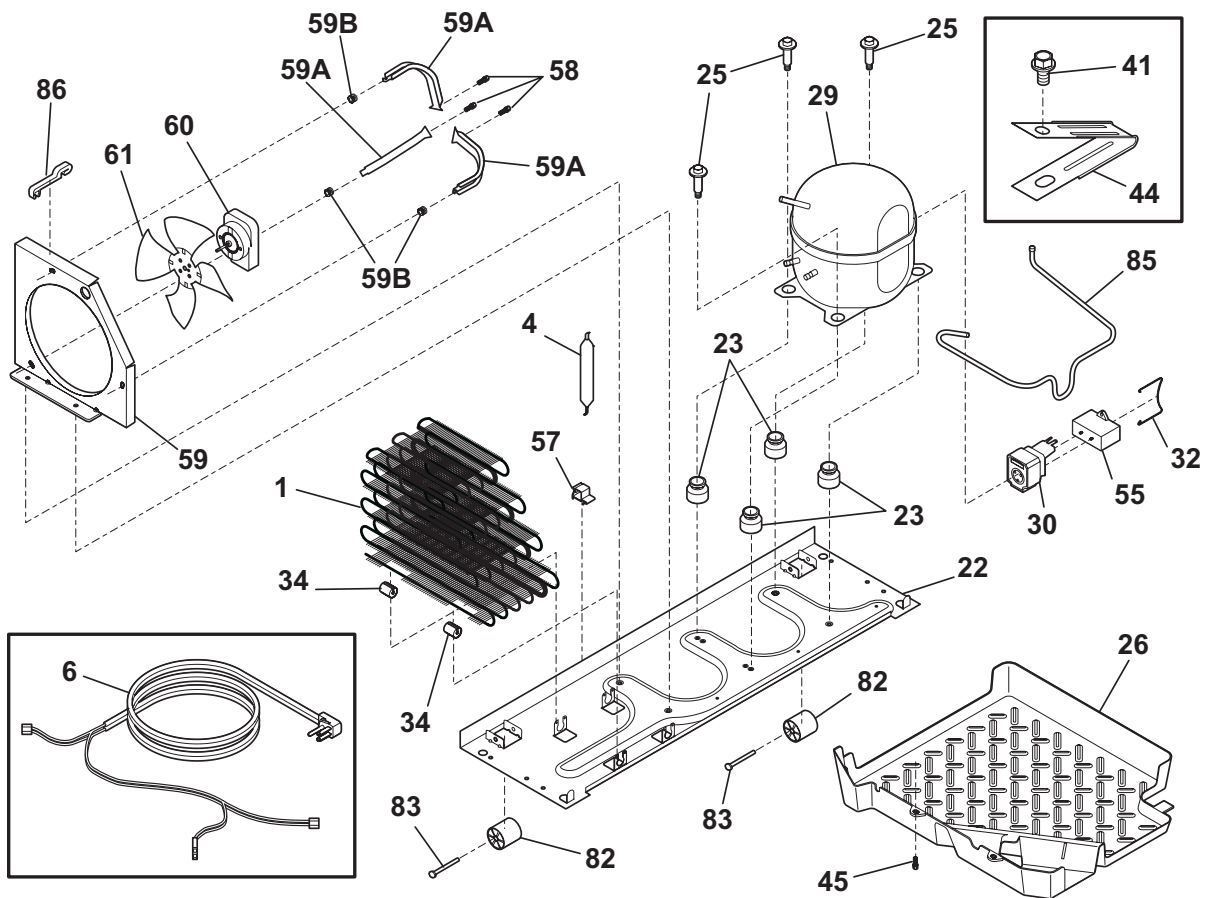
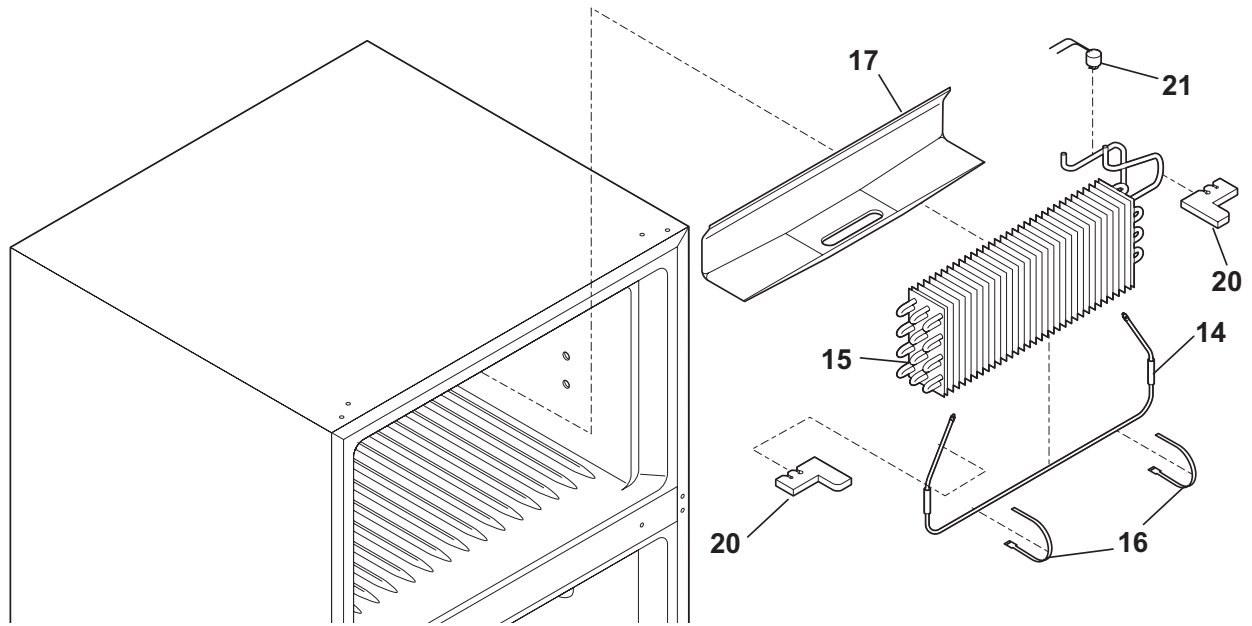
N05SADAFH1

SHELVES

Model Index: A GLHT214TJ (GLHT214TJB0)
 B GLHT214TJ (GLHT214TJK0)
 C GLHT214TJ (GLHT214TJQ0)
 D GLHT214TJ (GLHT214TJS0)
 E GLHT214TJ (GLHT214TJW0)

POS. NO	PART NO.	A	B	C	D	E	DESCRIPTION
11	240358006	A	B	C	D	E	Shelf, freezer, full-width, wire
12	240545901	A	B	C	D	E	Diffuser-air, top
13	240362601	A	B	C	D	E	Diffuser, air, bottom
14 #	241554901	A	B	C	D	E	Switch-light/lamp
15	241555401	A	B	C	D	E	Light Bulb
16	241559801	A	B	C	D	E	Socket-light
17	240368102	A	B	C	D	E	Control Box
17*#	240388701	A	B	C	D	E	Wiring Harness, control box
18	240360801	A	B	C	D	E	Knob, temp control
21#	5304445058	A	B	C	D	E	Control-temperature
22A	240468201	A	B	C	D	E	Tube, sensor sleeve, 31 inch, plastic, white
23 #	215846606	A	B	C	D	E	Timer, defrost, 60 Hz, 0.25 W, 120 V, 10 hour/30 min
23*	5304455649	A	B	C	D	E	Screw-timer mtg, pan hd, 6-20 x 0.438, (2)
24	240355228	A	B	C	D	E	Shelf-"Spill-Safe", cantilever, half-width, fixed
24B	240408904	A	B	C	D	E	Shelf-"Spill-Safe", cantilever fixe
25	240364718	A	B	C	D	E	Cover-crisper pan
25B	241613501	A	B	C	D	E	Control-humidity, RH
25C	241613502	A	B	C	D	E	Control-humidity, LH
26	240343803	A	B	C	D	E	Pan, crisper, (2)
31	240530803	A	B	C	D	E	Pan-meat, w/o graphics, clear
42	240356501	A	B	C	D	E	Track, meat pan hanger, RH
42	240365401	A	B	C	D	E	Track, meat pan hanger, LH
47	240443301	A	B	C	D	E	Panel, pan cover, glass
81	5304455650	A	B	C	D	E	Screw, hex washer head, 8-15A x 0.625, low profile
123	215005101	A	B	C	D	E	Screw, hanger/rlr mtg, 8-10 x 7/16
*	241868024	A	B	C	D	E	Energy Guide

SYSTEM



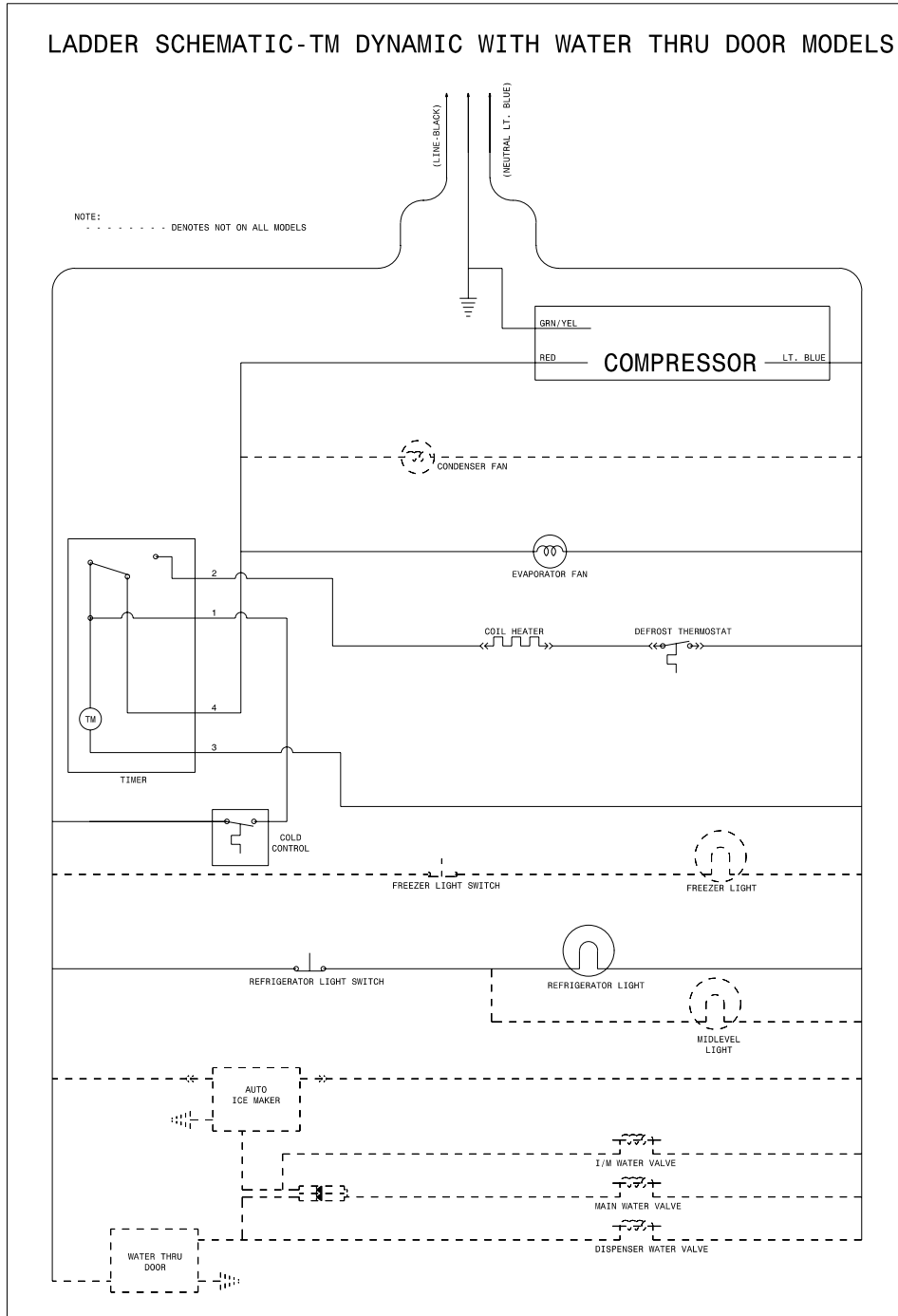
N05CAAAC9

SYSTEM

Model Index: A GLHT214TJ (GLHT214TJB0)
 B GLHT214TJ (GLHT214TJK0)
 C GLHT214TJ (GLHT214TJQ0)
 D GLHT214TJ (GLHT214TJS0)
 E GLHT214TJ (GLHT214TJW0)

POS. NO	PART NO.	A	B	C	D	E	DESCRIPTION
1	240444401	A	B	C	D	E	Condenser, dynamic
4 #	218944001	A	B	C	D	E	Drier-filter, R134a System
6 #	241607001	A	B	C	D	E	Harness-wiring, machine compt
6* #	240388701	A	B	C	D	E	Wiring Harness, control box
6*	241537701	A	B	C	D	E	Wiring Harness, freezer section, with light
14 #	240356217	A	B	C	D	E	Heater-defrost
15 #	5303918274	A	B	C	D	E	Evaporator Kit
16	5308000110	A	B	C	D	E	Strap-evap/heater, aluminum, (2)
17	241801301	A	B	C	D	E	Trough-drain
20	241551902	A	B	C	D	E	Insulation Block
21 #	5303918202	A	B	C	D	E	Thermostat-defrost, kit
22	241602010	A	B	C	D	E	Base-compressor
22*	218252201	A	B	C	D	E	Screw, #8 truss hd, 10-32CA x 0.500
22*	218709101	A	B	C	D	E	Screw, hex head, 10-32 x 0.500
23	241659701	A	B	C	D	E	Grommet, compressor
25	240491503	A	B	C	D	E	Screw-compressor mtg, 1/4-28 x 1.16, (4)
26	241637401	A	B	C	D	E	Pan-defrost
29 #	5303918359	A	B	C	D	E	Compressor, w/o electricals
30 #	241707701	A	B	C	D	E	Starter, PTC
32	241650901	A	B	C	D	E	Clamp, elec cont mtg, compressor
34	240405201	A	B	C	D	E	Grommet, rubber, black, cond tube/wire
41	240555002	A	B	C	D	E	Screw-#8-32 X 3/8
44	215174700	A	B	C	D	E	Clamp-service cord, strain relief, galv steel
45	5304455650	A	B	C	D	E	Screw, hex washer head, 8-15A x 0.625, low profile
55	218909913	A	B	C	D	E	Capacitor, run, 220 VAC, 15 microfarad
57	240542601	A	B	C	D	E	Clip-wiring harness
58	240433203	A	B	C	D	E	Screw, hex washer head, 8-18 x 3/8
59	240315502	A	B	C	D	E	Shroud-cond fan
59*	240346701	A	B	C	D	E	Tape-foam seal, shroud
59*	240359403	A	B	C	D	E	Screw-fan shroud, (2)
59A	240346501	A	B	C	D	E	Bracket-support, cond mtr, (3)
59B	240346601	A	B	C	D	E	Grommet-bracket, (3)
60	241584301	A	B	C	D	E	Motor-condenser fan
61	241639501	A	B	C	D	E	Blade-condenser fan
82	5304418225	A	B	C	D	E	Roller, compressor base, rear, (2)
83	5304455655	A	B	C	D	E	Rivet, flat head, 1/4 OD x 1-3/4, roller pin
85	240346201	A	B	C	D	E	Tube-connector, suction
86	240409302	A	B	C	D	E	Spacer-cond tube, black
*	240396801	A	B	C	D	E	Clamp, tube/wiring, nylon, black/natural
* #	5303918330	A	B	C	D	E	Heat Exchanger Kit, suction line, service
* #	5304421289	A	B	C	D	E	Hot Tube Repair Kit, service

WIRING SCHEMATIC



WIRING DIAGRAM

