

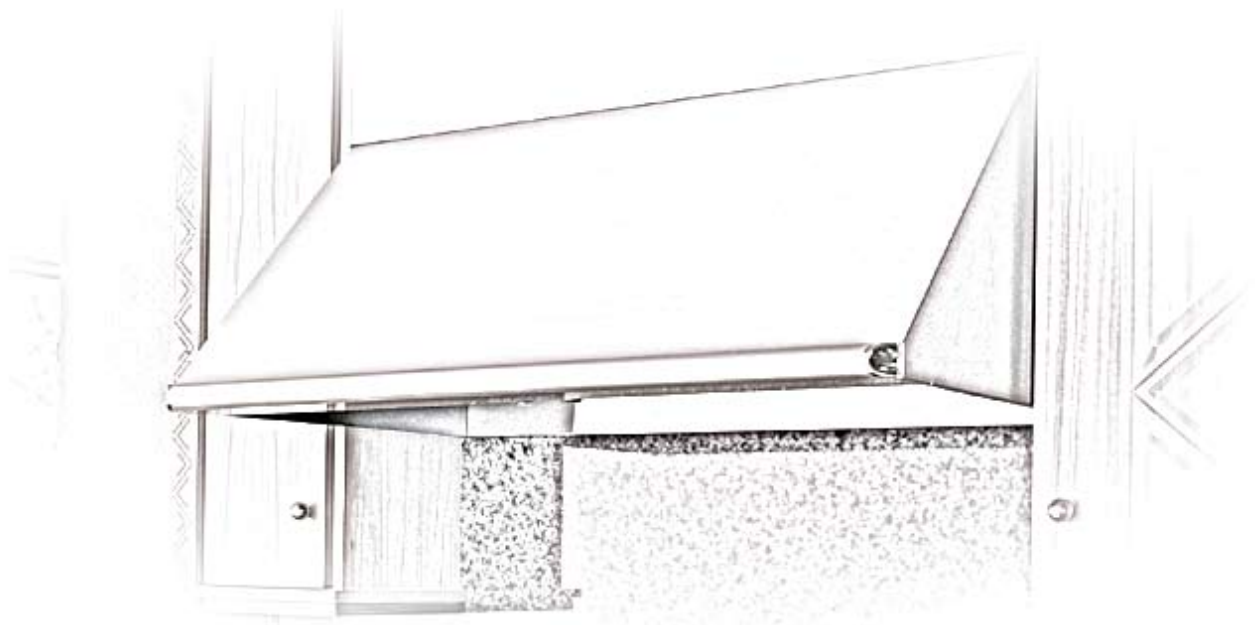
# Use and Care Manual

## Epicure® and Millennia™ Range Hoods

### Custom Hood Integrated Ventilation Systems

For use with models:

EHD30, EHD36, EHD42, EHD48, EHD54  
EHDR30, EHDR36, EHDR42, EHDR48, EHDR54  
IVS1, IVSR1, IVS2, IVSR2, MHD30, MHD36, MHD48



Style varies, EH4818 shown

SAFETY IS EVERYONE'S RESPONSIBILITY. ALL DACOR® APPLIANCES ARE DESIGNED AND CONSTRUCTED TO GIVE YOU MANY YEARS OF SAFE OPERATION. THE OPERATION WILL BE FURTHER ENHANCED IF PROPER CARE AND JUDGEMENT ARE EXERCISED IN THE USE AND MAINTENANCE OF THIS APPLIANCE.

#### IMPORTANT INFORMATION

- Operating Instructions
- Care and Cleaning Instructions
- Safety Tips



#### WARNINGS:

Must be followed carefully to avoid personal injury or damage.



#### NOTES:

Contains helpful hints and tips.

**READ AND SAVE THESE INSTRUCTIONS**

Place Serial Number Label Here



To Our Valued Customer:

Congratulations on your purchase of the very latest in Dacor® products! Our unique combination of features, style and performance make us The Life of the Kitchen™, and a great addition to your home.

In order to familiarize yourself with the controls, functions, and full potential of your new Distinctive Appliance, we suggest that you thoroughly read this use and care manual, beginning with the **Important Safety Instructions** section.

All Dacor appliances are designed and manufactured with quality and pride, while working within the framework of our company value. Should you ever experience a problem with your product, please first check the **Before You Call for Service** section of this manual for guidance. It provides useful suggestions and remedies prior to calling for service.

Valuable customer input helps us to continuously improve our products and services, so please feel free to contact our Customer Service Team for assistance with any of your product support needs.

Dacor Customer Service Team  
1440 Bridge Gate Drive  
Diamond Bar, CA 91765

Telephone: (800) 793-0093  
Fax: (626) 403-3130  
Hours of Operation: Monday through Friday  
6:00 A.M. to 5:00 P.M. Pacific Time  
Web Site: [www.Dacor.com](http://www.Dacor.com)

Thank you for choosing Dacor for your home. We are a company built by families for families and we are dedicated to serving yours. We are confident that your new Dacor product will deliver a high level of performance and enjoyment for many years to come.

Sincerely,

A handwritten signature in black ink, appearing to read "Cheryl Crowe".

Cheryl Crowe  
Director, Customer Satisfaction

<b>TABLE OF CONTENTS</b> .....	<b>1</b>
Purpose of this Manual .....	1
Product Registration.....	1
<b>IMPORTANT INSTRUCTIONS</b> .....	<b>1-2</b>
Important Safety Instructions .....	1
What To Do .....	1
What Not To Do.....	1
Operating Controls.....	2
Energy Saving Tips .....	2
Care and Cleaning .....	2
Changing the Light Bulb.....	2
<b>BEFORE YOU CALL FOR SERVICE</b> .....	<b>3</b>
Troubleshooting .....	3
Product Maintenance .....	3
If You Need Service.....	3
<b>PRODUCT WARRANTY</b> .....	<b>3</b>
What Is Covered .....	3
What Is Not Covered.....	3

### Purpose of This Manual

This use and care manual is designed to enable you to properly operate and maintain your new warming oven. Please keep this manual handy for easy access and quick reference.

Additional information may be requested by e-mailing, writing or phoning the Dacor Customer Service Team. The address and phone number of this department are listed on the inside front cover of this manual.

### Important Safety Instructions

#### **WARNING:**

#### **TO REDUCE THE RISK OF A RANGE TOP GREASE FIRE:**

- a) Never leave surface units unattended at high settings. Boil-overs cause smoking and greasy spill-overs that may ignite. Heat oils slowly on low or medium settings.
- b) Always turn hood ON when cooking at high heat or when flambing food (i.e. Crepes Suzette, Cherries Jubilee, Peppercorn Beef Flambe’).
- c) Clean ventilating fans frequently. Grease should not be allowed to accumulate on fan or filter.
- d) Use proper pan size. Always use cookware appropriate for the size of the surface element.

### Product Registration



Please enter the information requested in the spaces provided below. This information will be required in the unlikely event that a service call becomes necessary:

Model No. \_\_\_\_\_ Serial No. \_\_\_\_\_

Date Purchased \_\_\_\_\_ Date Installed \_\_\_\_\_

Purchased From \_\_\_\_\_

Address \_\_\_\_\_

Phone \_\_\_\_\_

#### **WARNING:**

#### **TO REDUCE THE RISK OF INJURY TO PERSONS IN THE EVENT OF A RANGE TOP GREASE FIRE, OBSERVE THE FOLLOWING:**

- a) SMOTHER FLAMES with a close-fitting lid, cookie sheet, or metal tray, then turn off the burner. BE CAREFUL TO PREVENT BURNS. If the flames do not go out immediately, EVACUATE AND CALL THE FIRE DEPARTMENT.
- b) NEVER PICK UP A FLAMING PAN - You may be burned.
- c) DO NOT USE WATER, including wet dishcloths or towels - a violent steam explosion will result.
- d) Use an extinguisher ONLY if:
  - 1) You know you have a Class ABC extinguisher, and you already know how to operate it.
  - 2) The fire is small and contained in the area where it started.
  - 3) The fire department is being called.
  - 4) You can fight the fire with your back to an exit.

#### **WARNING:**

#### **TO REDUCE THE RISK OF FIRE, ELECTRIC SHOCK, OR INJURY TO PERSONS, OBSERVE THE FOLLOWING:**

- a) Use this unit only in the manner intended by the manufacturer. If you have questions, contact the manufacturer.
- b) Before servicing or cleaning unit, switch power off at service panel and lock the service disconnecting means to prevent power from being switched on accidentally. When the service disconnecting means cannot be locked, securely fasten a prominent warning device, such as a tag, to the service panel.

#### **CAUTION:**

#### **For General Ventilating Use Only. Do Not Use To Exhaust Hazardous Or Explosive Materials And Vapors.**

### What to Do

1. Begin by ensuring proper installation and grounding of the hood by a qualified technician. Have the installer show you where the fuse or junction box is located so that you know how and where to turn off power.
2. Always be certain that nothing will interfere with the vent intake.
3. Use the vent system for its intended purpose only as outlined in this manual.
4. Clean the filters and all grease-laden surfaces often to prevent grease fires and maintain performance.
5. If the cooktop and hood are near a window, use an appropriate window treatment. Avoid long drapes or other window coverings that could blow over the cooktop and hood, resulting in a fire hazard.
6. Always run the blower whenever a cooktop is operating.

### What Not to Do

1. Never operate the hood without the filters in place.
2. Do not operate the blower if a flame or flare-up develops. In the event of a flame, immediately turn off the blower. Smother the flame or use an appropriate class dry chemical or foam-type fire extinguisher.
3. Never leave the appliance unattended when using high heat settings. Boil-overs and greasy spills may smoke and/or ignite.
4. Do not leave children alone or unattended in the area where the cooktop and vent are in use. Never allow children to sit or stand on an appliance. Do not let children play with a cooktop or vent.
5. **CAUTION:** Do not store items of interest to children above or at the back of the cooktop or vent, as they could climb on the appliance to reach items and be injured.
6. Do not repair or replace any part of the vent system unless specifically recommended in literature accompanying this appliance. All service should be referred to a qualified technician.
7. Do not use water on grease fires. A violent steam explosion may result. Also, avoid using wet pot holders, sponges or clothes, as steam burn may occur.

**If you received a damaged product, immediately contact your dealer or builder. Do not install or use a damaged appliance.**

## Operating Controls

Your Dacor hood has two knobs that control the hood's halogen lights and the exhaust blower. Turning the knobs clockwise will turn on the lights and the blower. When turning the lights or blower off, turn the knob counter-clockwise until it clicks.

**Blower Knob:** The further clockwise you turn the knob the faster the blower runs.

**Light Knob:** The further clockwise you turn the knob the brighter the light. Turn the knob until you reach the desired light level.



### OPERATING TIPS:

1. Activate the blower a few minutes before starting to cook to establish an airflow pattern in the room.
2. Adjust the fan speed according to the volume and weight of the cooking exhaust.
3. Always activate the blower whenever using the cooking appliance.
4. Eliminate air currents in the hood vicinity by shutting nearby windows and doors, turning off ceiling fans and closing adjacent heating and air conditioning outlets.
5. Place your largest pans, skillets and stock [pots on the rear burners whenever possible.



### WARNING:

Do not operate the vent system without the filters in place or with dirty, grease-laden filters.

## Energy Saving Tips

1. Do not operate the blower at a speed that is higher than necessary to remove the cooking exhaust. Running at excessive speeds removes more air from the inside of the house that must be replaced by outside air. This may be especially costly when the housing air conditioning or heating system is in operation.
2. Clean filters and grease-laden surfaces often to improve efficiency.
3. Turn off the blower as soon as all cooking smoke and odors have been eliminated.
4. Always use lids on cookware to retain heat and moisture.
5. Minimize the amount of liquid used to cook food.
6. Select cookware of the proper size, material and construction for the cooking task being performed.

## Care and Cleaning

Proper cleaning is necessary to maintain vent performance and appearance, while also ensuring safe operation. The frequency of cleaning should be adjusted according to the type and amount of cooking. Best results will be achieved by cleaning soiled components as soon as possible.

Filters must be cleaned regularly. Remove one filter at a time, grasp the filter handle and gently push back and pull the front down.

The filters may be cleaned by hand washing in hot water with a mild detergent solution or by placing them in an automatic dishwasher. Dry the filters completely before using them again.

STAINLESS STEEL, BRASS & CHROME SURFACES should be cleaned with a solution of mild detergent and warm water. Rinse and dry with a soft lint-free cloth.

**CAUTION:** If commercially available stainless steel cleaners are used, it is important to read the labels for chlorine compounds. Chlorine is a corrosive substance. If these compounds are present, rinse thoroughly and dry with a soft lint-free cloth.

Follow manufacturer's instructions for application of polish.

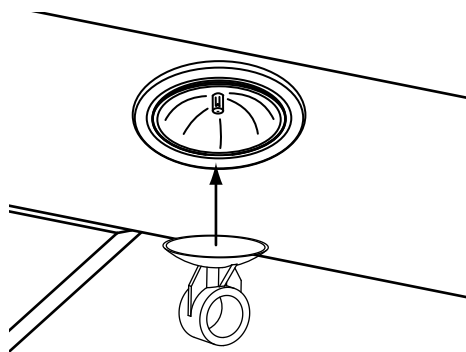
Always wipe stainless steel surfaces with the grain. Never wipe across the grain.

After cleaning, reinstall the filters carefully.

## Changing the Light Bulb

The suction cup, part number 62408, supplied with the hood, is designed to assist in the removal and replacement of the halogen light bulbs, should they burn out. To remove a bulb, simply press the suction cup onto the face of the bulb and unscrew in a counter-clockwise direction (as you are facing the bulb). To install the new bulb, start the new bulb in the socket in a clockwise direction by turning a few times by hand, then attach the suction cup to the face of the bulb and complete the installation. Keep the suction cup in a safe place for future maintenance.

For replacement lamps, contact your Dacor parts distributor and order part number 62351.



## Troubleshooting

Unnecessary service calls may be expensive, frustrating and time consuming. Before you call for service, please review the potential problems, possible causes and remedies shown in the table below.

Problem	Possible Cause	Remedy
1. Nothing works.	Vent power supply interrupted or not energized.	Have an electrician check power supply, including the house circuit breaker, wiring and fuses.
2. Lights do not turn on.	A loose or burned out light.	Check the light.

### Troubleshooting Guide

#### Product Maintenance

No maintenance, other than the **CARE AND CLEANING INSTRUCTIONS** identified in this use and care manual, should be attempted by the owner/operator. All other maintenance and service must be performed by a qualified appliance technician.

#### If You Need Service...

First, review the recommended checks listed in the preceding **Troubleshooting Guide**. Then, be certain that the appliance has been installed properly and is being operated correctly. Familiarize yourself with the warranty terms and conditions listed in the **PRODUCT WARRANTY** section.

If the above checks have been completed and the problem has not yet been remedied, call your local authorized Dacor service representative. Your dealer can normally provide the name and telephone number of the nearest service company.

Dacor works diligently to ensure your satisfaction when service is necessary. However, if you are not completely satisfied with the service provided, contact the company that performed the service and express why you are not pleased. Normally, they will be willing and able to resolve the problem.

If the service agency is not able to respond effectively, call or write the Dacor Customer Service Team. The phone number and address of this department are listed on the inside front cover of this manual. Please include your telephone number if you choose to write. We will then do our utmost to assure your happiness and satisfaction.

#### What Is Covered

CERTIFICATE OF WARRANTIES  
DACOR WARMING OVENS

**WITHIN THE FIFTY STATES OF THE U.S.A., THE DISTRICT OF COLUMBIA AND CANADA\*:**

**FULL ONE-YEAR WARRANTY**

If your Dacor product fails to function within one year of the original date of purchase, due to a defect in material or workmanship, Dacor will remedy the defect without charge to you or subsequent users. The owner must provide proof of purchase, upon request, and have the appliance accessible for service.

\* Warranty is null and void if non-CSA approved product is transported from the U.S.

**OUTSIDE THE FIFTY STATES OF THE U.S.A., THE DISTRICT OF COLUMBIA AND CANADA:**  
**LIMITED FIRST YEAR WARRANTY**

If your Dacor product fails to function within one year of the original date of purchase, due to a defect in material or workmanship, Dacor will furnish a new part, F.O.B. factory, to replace the defective part. All delivery, installation and labor costs are the responsibility of the purchaser. The owner must provide proof of purchase, upon request, and have the appliance accessible for service.

#### What Is Not Covered

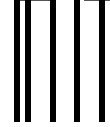
- Service calls to educate the customer in the proper use and care of the product.
- Failure of the product when used for commercial, business, rental or any application other than for residential consumer use.
- Replacement of house fuses or fuse boxes, or resetting of circuit breakers.
- Damage to the product caused by accident, fire, flood or other acts of God.
- Breakage, discoloration or damage to glass, metal surfaces, plastic components, trim, paint, or other cosmetic finish, caused by improper usage or care, abuse, or neglect.

THE REMEDIES PROVIDED FOR IN THE ABOVE EXPRESS WARRANTIES ARE THE SOLE AND EXCLUSIVE REMEDIES. THEREFORE, NO OTHER EXPRESS WARRANTIES ARE MADE, AND OUTSIDE THE FIFTY STATES OF THE UNITED STATES, THE DISTRICT OF COLUMBIA AND CANADA, ALL IMPLIED WARRANTIES, INCLUDING BUT NOT LIMITED TO, ANY IMPLIED WARRANTY OF MERCHANTABILITY OR FITNESS FOR A PARTICULAR USE OR PURPOSE, ARE LIMITED IN DURATION TO ONE YEAR FROM THE DATE OF ORIGINAL PURCHASE. IN NO EVENT SHALL DACOR BE LIABLE FOR INCIDENTAL EXPENSE OR CONSEQUENTIAL DAMAGES. NO WARRANTIES, EXPRESS OR IMPLIED, ARE MADE TO ANY BUYER FOR RESALE.

Some states do not allow limitations on how long an implied warranty lasts, or do not allow the exclusion or limitation of inconsequential damages, so the above limitations or exclusions may not apply to you. This warranty gives you specific legal rights, and you may also have other rights that vary from state to state.

## Notes

fold here

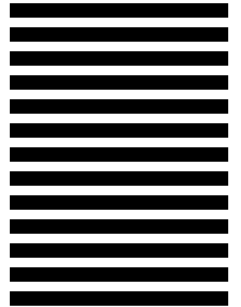


NO POSTAGE  
NECESSARY  
IF MAILED  
IN THE  
UNITED STATES

**BUSINESS REPLY MAIL**  
FIRST-CLASS MAIL      PERMIT NO. 4507      DIAMOND BAR CA

POSTAGE WILL BE PAID BY ADDRESSEE

DACOR INC.  
ATTN: WARRANTY PROCESSING DEPT  
1440 BRIDGE GATE DR STE 200  
PO BOX 6532  
DIAMOND BAR CA 91765-9861





Please visit [www.Dacor.com](http://www.Dacor.com) to activate your warranty online.

# WARRANTY INFORMATION

**IMPORTANT:**

Your warranty will not be activated until you activate it online or return this form to Dacor. If you have purchased more than one Dacor product, please return all forms in one envelope or activate the warranty for each product online.

Please rest assured that under no conditions will Dacor sell your name or any of the information on this form for mailing list purposes. We are very grateful that you have chosen Dacor products for your home and do not consider the sale of such information to be a proper way of expressing our gratitude!

Owner's Name: \_\_\_\_\_  
Last (Please Print or Type) First Middle

Street: \_\_\_\_\_

City: \_\_\_\_\_ State: \_\_\_\_\_ Zip: \_\_\_\_\_

Purchase Date: \_\_\_\_\_ Email: \_\_\_\_\_ Telephone: \_\_\_\_\_

Dealer: \_\_\_\_\_

City: \_\_\_\_\_ State: \_\_\_\_\_ Zip: \_\_\_\_\_

Your willingness to take a few seconds to fill in the section below will be sincerely appreciated. Thank you.

1. How were you **first** exposed to Dacor products? (Please check one only.)

- A. T.V. Cooking Show
- B. Magazine
- C. Appliance Dealer Showroom
- D. Kitchen Dealer Showroom
- E. Home Show
- F. Builder
- G. Architect/Designer
- H. Another Dacor Owner
- I. Model Home
- J. Other \_\_\_\_\_

2. Where did you buy your Dacor appliances?

- A. Appliance Dealer
- B. Kitchen Dealer
- C. Builder Supplier
- D. Builder
- E. Other \_\_\_\_\_

3. For what purpose was the product purchased?

- A. Replacement **only**
- B. Part of a Remodel
- C. New Home
- D. Other \_\_\_\_\_

4. What is your household income?

- A. Under \$75,000
- B. \$75,000 – \$100,000
- C. \$100,000 – \$150,000
- D. \$150,000 – \$200,000
- E. \$200,000 – \$250,000
- F. Over \$250,000

5. What other brands of appliances do you have in your kitchen?

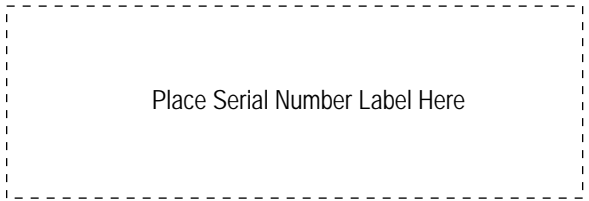
- A. Cooktop \_\_\_\_\_
- B. Oven \_\_\_\_\_
- C. Dishwasher \_\_\_\_\_
- D. Refrigerator \_\_\_\_\_

6. Would you buy or recommend another Dacor product?

- Yes
- No

Comments: \_\_\_\_\_  
\_\_\_\_\_  
\_\_\_\_\_

Thank you very much for your assistance. The information you have provided will be extremely valuable in helping us plan for the future and giving you the support you deserve.



Place Serial Number Label Here

cut here