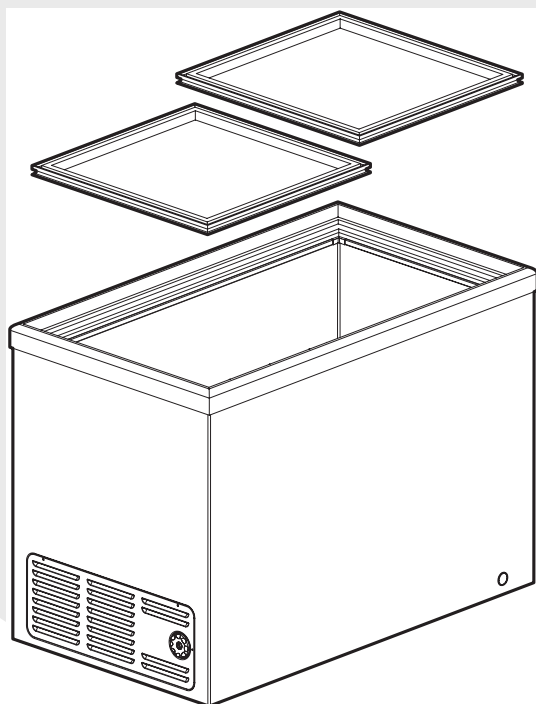


Frigidaire

Factory Parts Catalog



Product No.	FCCG071FW0
Series	Commercial
Color	white
Volts	115
Owner's Guide	297068500
Market	North America

 **Electrolux**

Electrolux Major Appliances
North & Latin America
P.O. BOX 212378
AUGUSTA, GA 30917

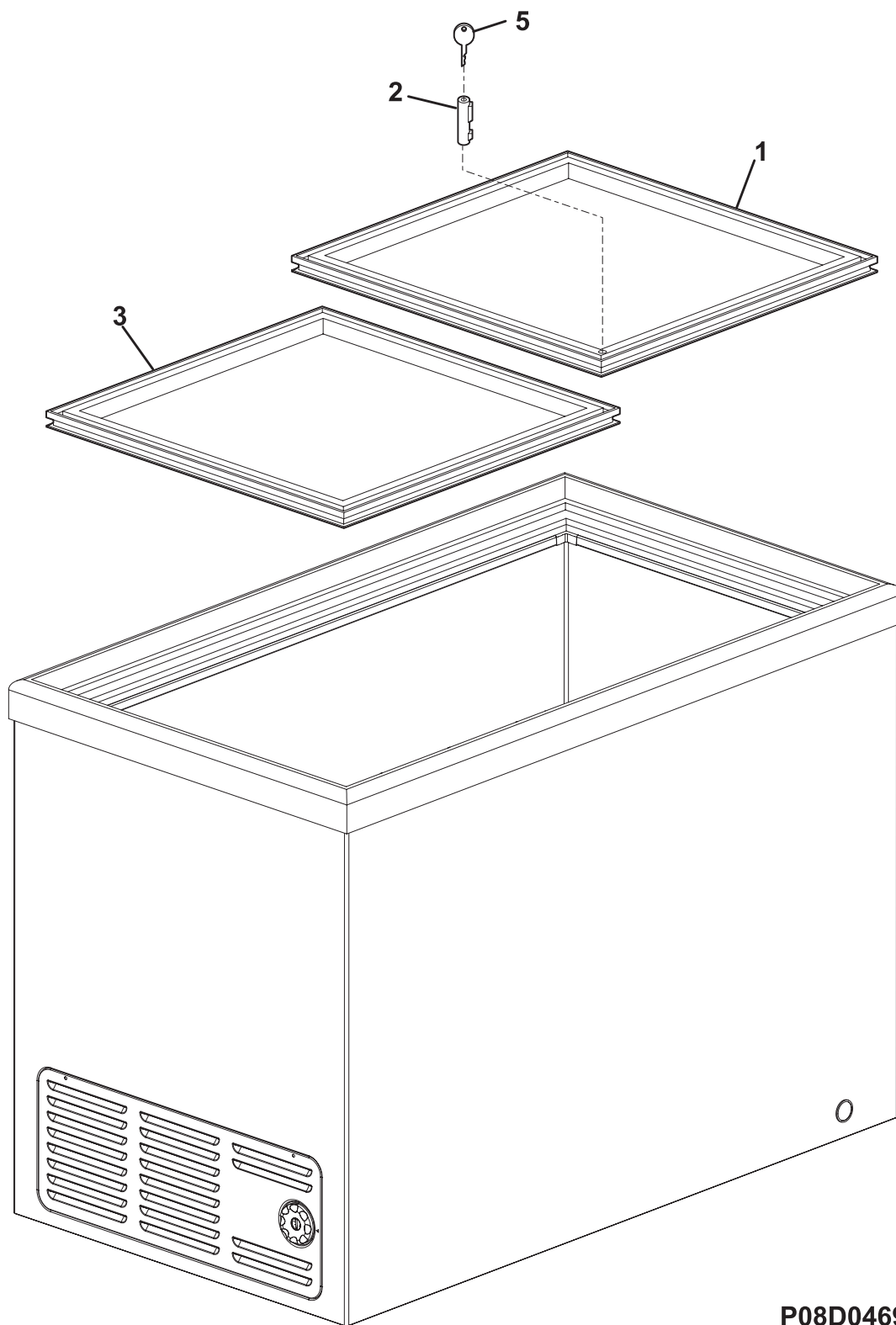
Publication No.
5995459822
06/01/30
(EN/SERVICE/MLR)
365

FREEZER CHEST

Model No.
FCCG071FW

Copyright © 2006 Electrolux Home Products, Inc.
All rights reserved.

DOOR

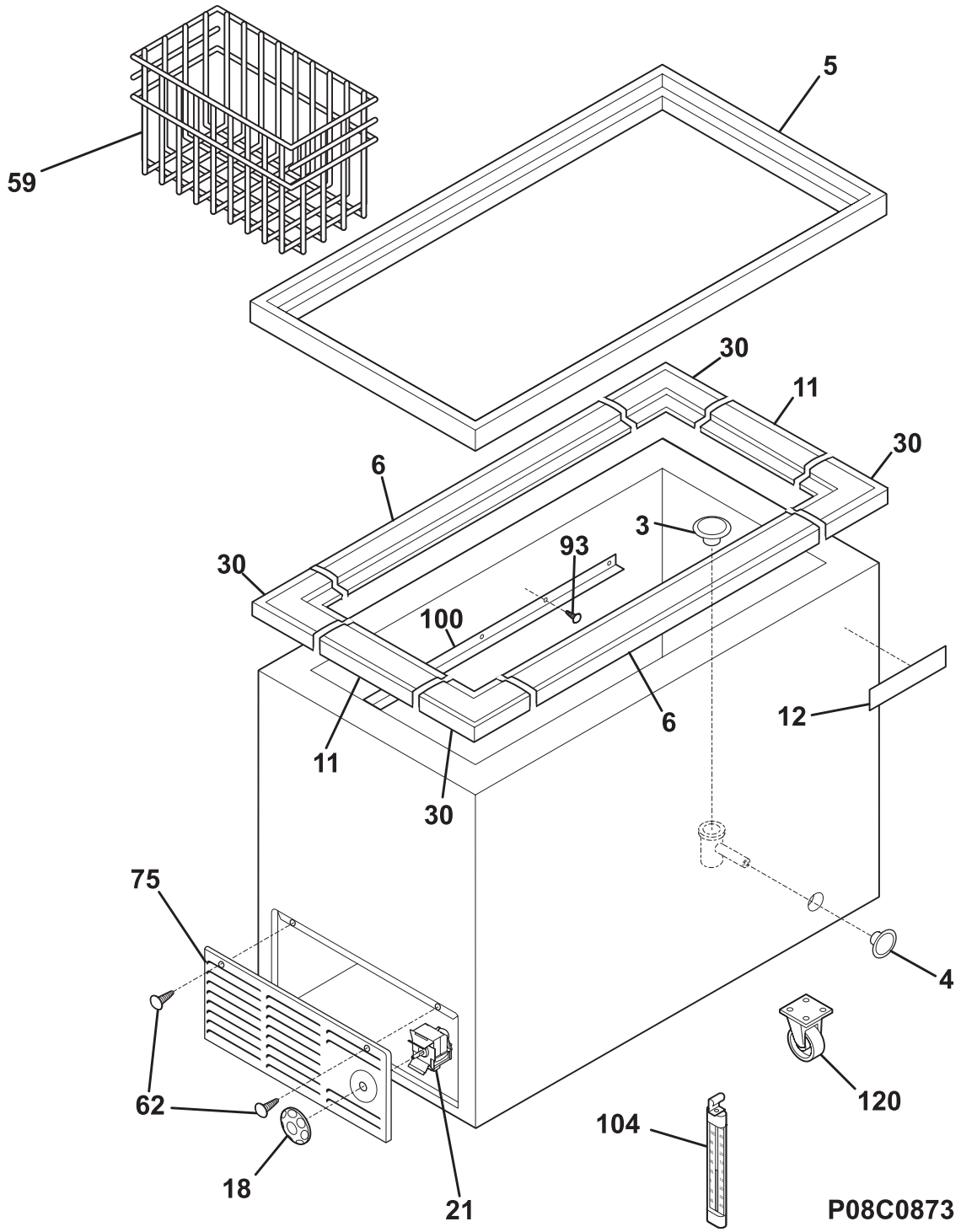


P08D0469

DOOR

POS. NO	PART NO.	DESCRIPTION
1	216620614	Lid, chest freezer, glass, upper
2	216621200	Lock Assy, frzr lid
3	216620714	Lid, chest freezer, glass, lower
5	216621300	Key, frzr lid lock

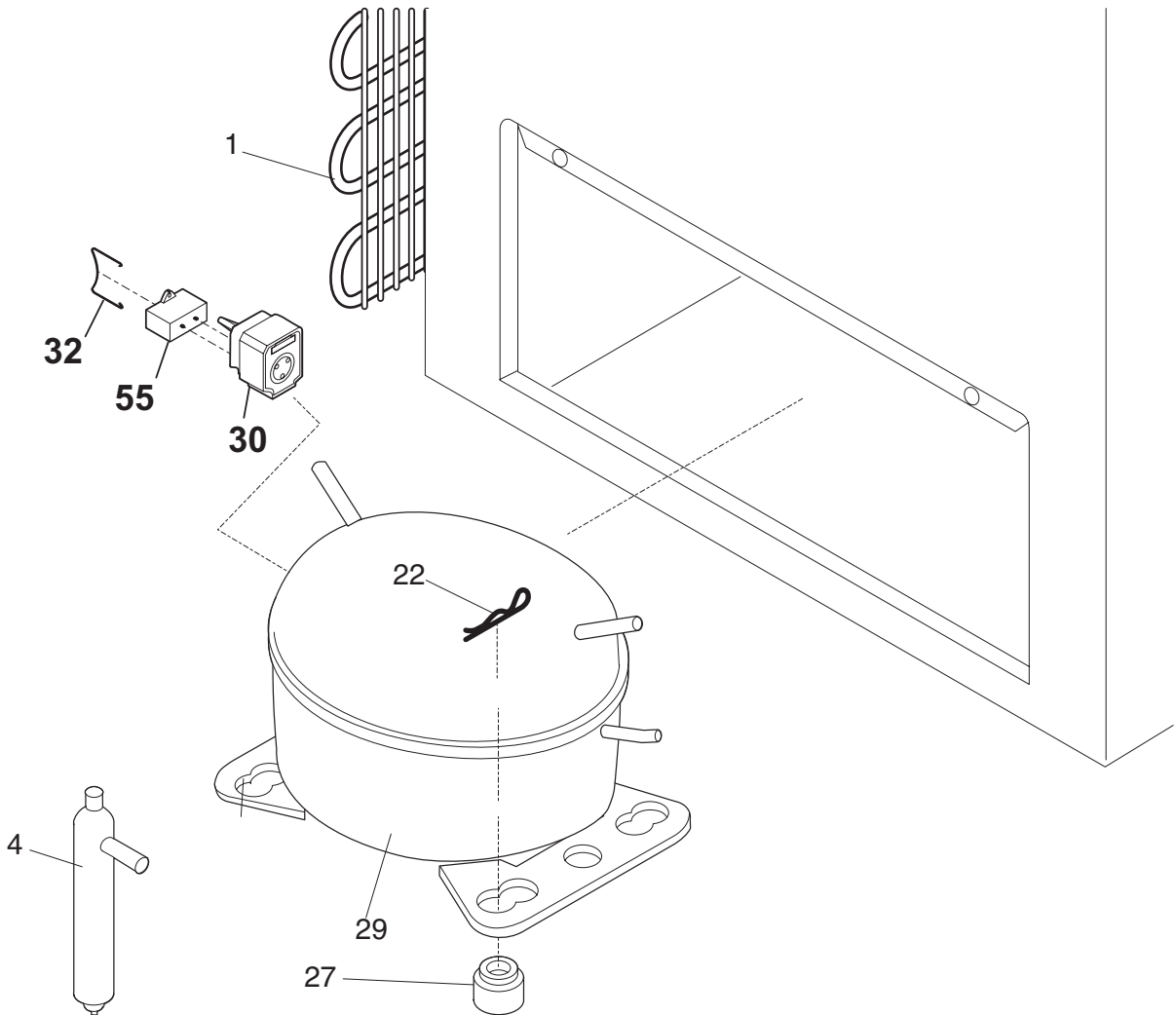
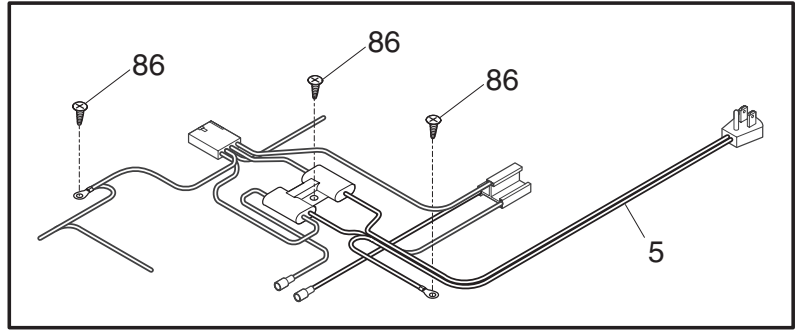
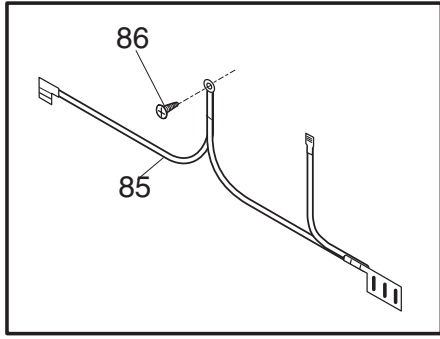
CABINET



CABINET

POS. NO	PART NO.	DESCRIPTION
3	216502600	Plug, drain, interior
4	297013600	Plug, drain, exterior
5	216620514	Frame, outer
6	216855702	Breaker, side
11	216855706	Breaker-ends, white
12	297073400	Nameplate, Commercial, stainless
18	216707201	Knob, temp control
21 #	216787700	Control-temperature
30	216105500	Breaker-corners, white
59	216657300	Basket
62	131168200	Screw, pan head, 8-18B x 0.31
75	216782000	Panel-access, white
93	5303161215	Screw, ph truss head, 8-18AB x 0.500
100	216654200	Track-basket
*	3017666	Nut-insert
104	297070100	Thermometer
120	216621000	Caster
*	216649700	CASTER PACK, 4 casters, wrench, 16 screws
*	5303305324	Paint, touch-up, white

SYSTEM



P08S0355

SYSTEM

POS. NO	PART NO.	DESCRIPTION
1 #	5300120780	Condenser
4 #	216938600	Drier-filter
5 #	216952000	Harness-main
*	216707800	Screw, PH, 8-32 x 1/2, wiring harness
22	216056400	Clip, compressor mtg, SPRING
27	5308002681	Grommet, compressor
29 #	297068200	Compressor, w/o electricals
30	216954210	Controller
32	241544101	Clamp, elec cont mtg, compressor, bale wire
55 #	216236200	Capacitor-run, 180-200 VAC, 15 microfarad
85	216818300	Wire-ground
86	216707700	Screw, 8-18 X 1/2