

Frigidaire

Factory Parts Catalog

Product No.	GLEF379DBG	GLEF379DQG	GLEF379DSG
Series	30" f/s elec	30" f/s elec	30" f/s elec
Color	black	bisque	white
Market	North America	North America	North America
Wiring Diagram	316417761	316417761	316417761
Owner's Guide	316417012	316417012	316417012
Installation Instructions	316259206	316259206	316259206
Service Data Sheet	316417600	316417600	316417600

 **Electrolux**

Electrolux Major Appliances
 North & Latin America
 P.O. BOX 212378
 AUGUSTA, GA 30917

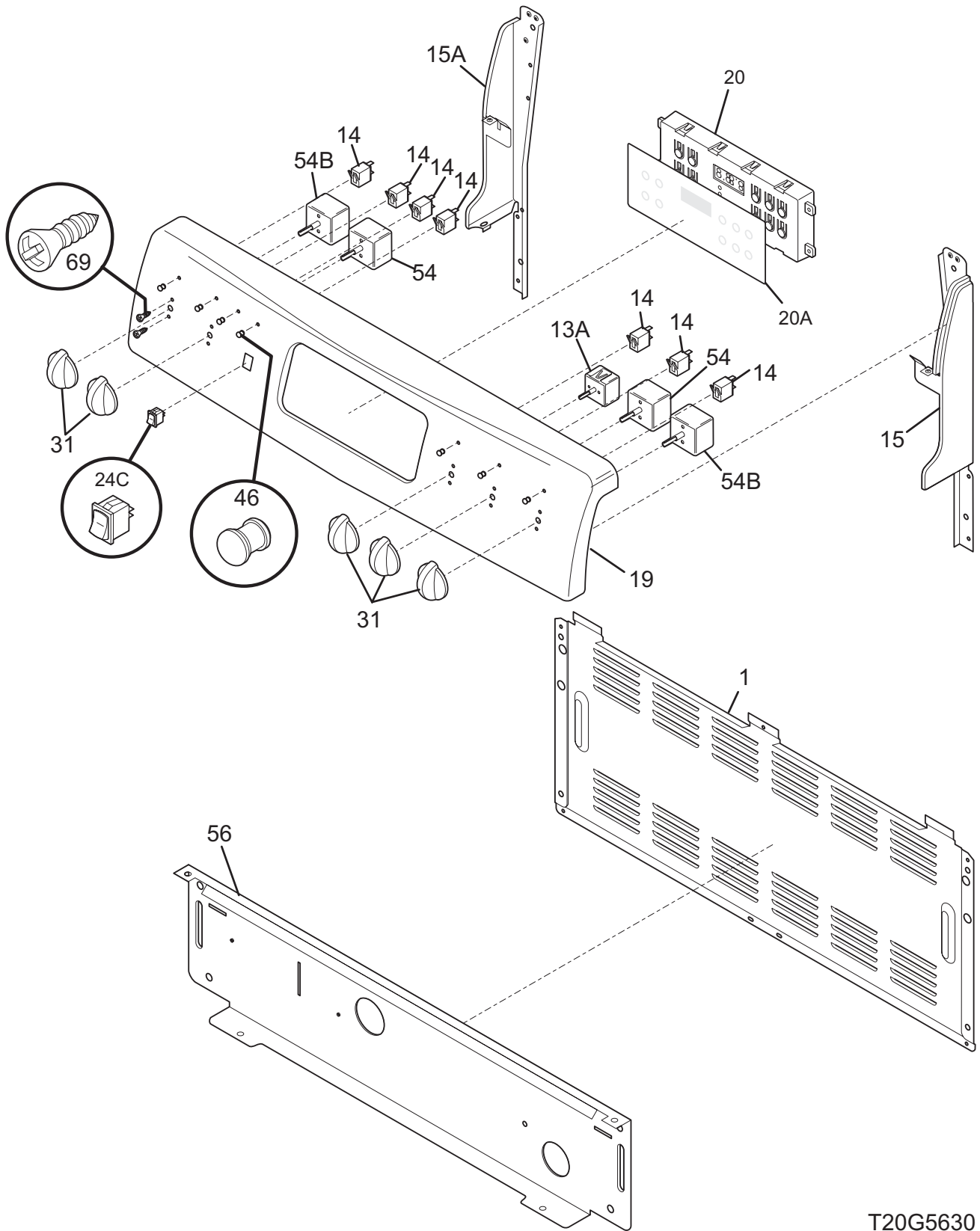
Publication No.
5995456281
 05/12/13
 (EN/SERVICE/BJH)
 369

**30-INCH FREE-
 STANDING ELECTRIC
 RANGE**

Model No.
GLEF379D

Copyright © 2005 Electrolux Home Products, Inc.
 All rights reserved.

BACKGUARD



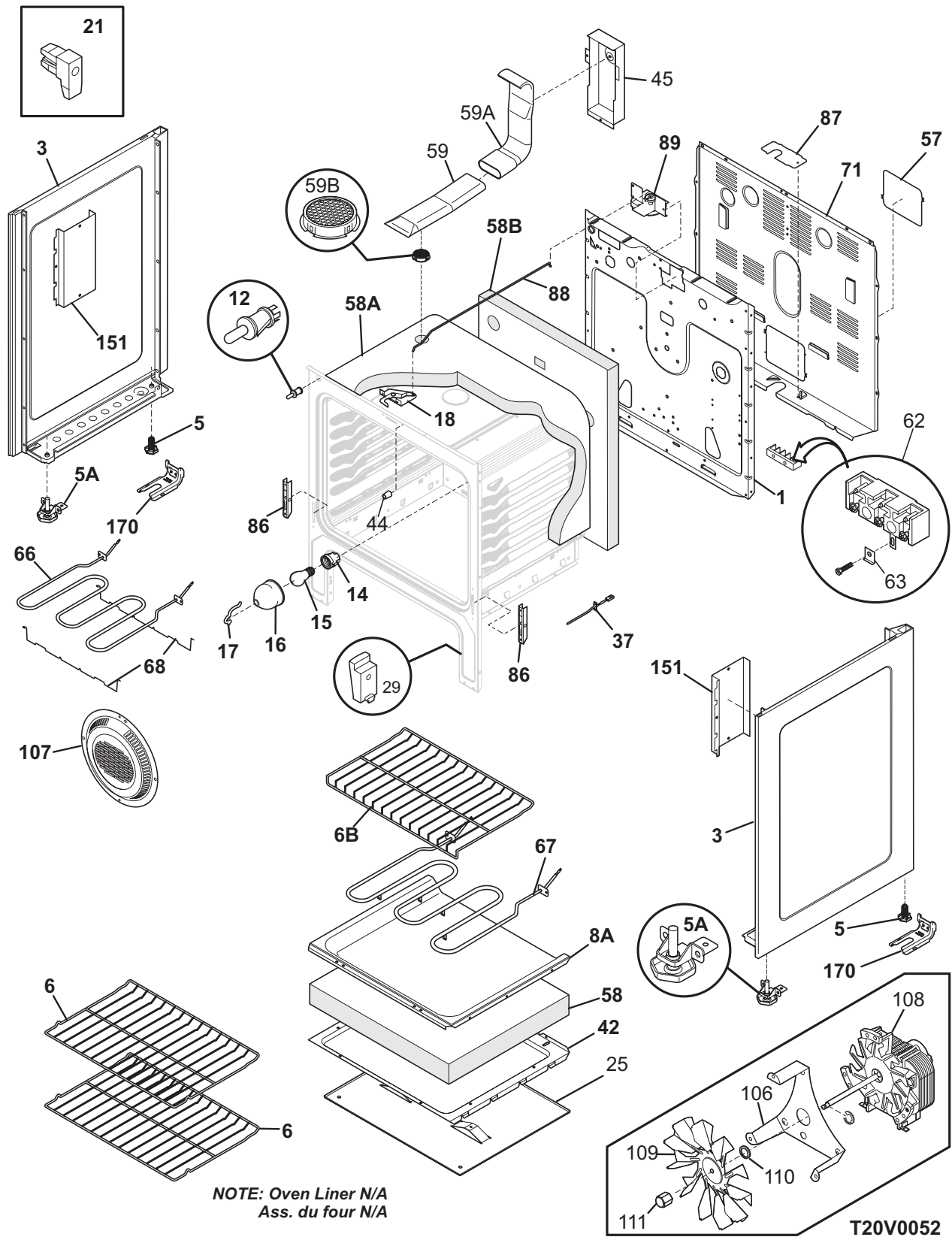
T20G5630

BACKGUARD

Model Index: A GLEF379D (GLEF379DBG)
 B GLEF379D (GLEF379DQG)
 C GLEF379D (GLEF379DSG)

POS. NO	PART NO.		DESCRIPTION
1	316416100	A B C	Shield, backguard, rear wall
13A	316095502	A B C	Switch, infinite, warmer
14	316022500	A B C	Light/Lamp, indicator, 125 V
15	316411405	A - -	Support, backguard, black, RH
15	316411407	- B -	Support, backguard, bisque, RH
15	316411403	- - C	Support, backguard, white, RH
15A	316411404	A - -	Support, backguard, black, LH
15A	316411406	- B -	Support, backguard, bisque, LH
15A	316411402	- - C	Support, backguard, white, LH
19	316424140	A - -	Panel, control, black
19	316424139	- B -	Panel, control, bisque
19	316424141	- - C	Panel, control, white
20 #	316418305	A B C	Clock/Timer, electronic, ES340
20A	316419303	A - -	Overlay, clock, black, ES340
20A	316419305	- B -	Overlay, clock, bisque, ES340
20A	316419304	- - C	Overlay, clock, white, ES340
24C	316259800	A - -	Switch-rocker, black
24C#	316259802	- B -	Switch-rocker, bisque
24C#	316259801	- - C	Switch-rocker, white
31	316223002	A - -	Knob, control, black
31	316223003	- B -	Knob, control, bisque
31	316223000	- - C	Knob, control, white
46	316040201	A B C	Lens, indicator light, red
54 #	316021500	A B C	Switch, infinite, small element
54B#	316238200	A B C	Switch, infinite, dual element
56	316234013	A - -	Shield, backguard, black, inner
56	316234014	- B -	Shield, backguard, bisque, inner
56	316234012	- - C	Shield, backguard, white, inner
69	5303288565	A B C	Screw, truss sqdr, 8-32 x 3/16, switch mtg
*	316021105	A B C	Screw, hex head cup pt, 8-18 x 0.375, black
*	316021109	A B C	Screw, 8-18 x 0.5, chrome
*	316021110	A B C	Screw, 8-18 x 0.5, black

BODY

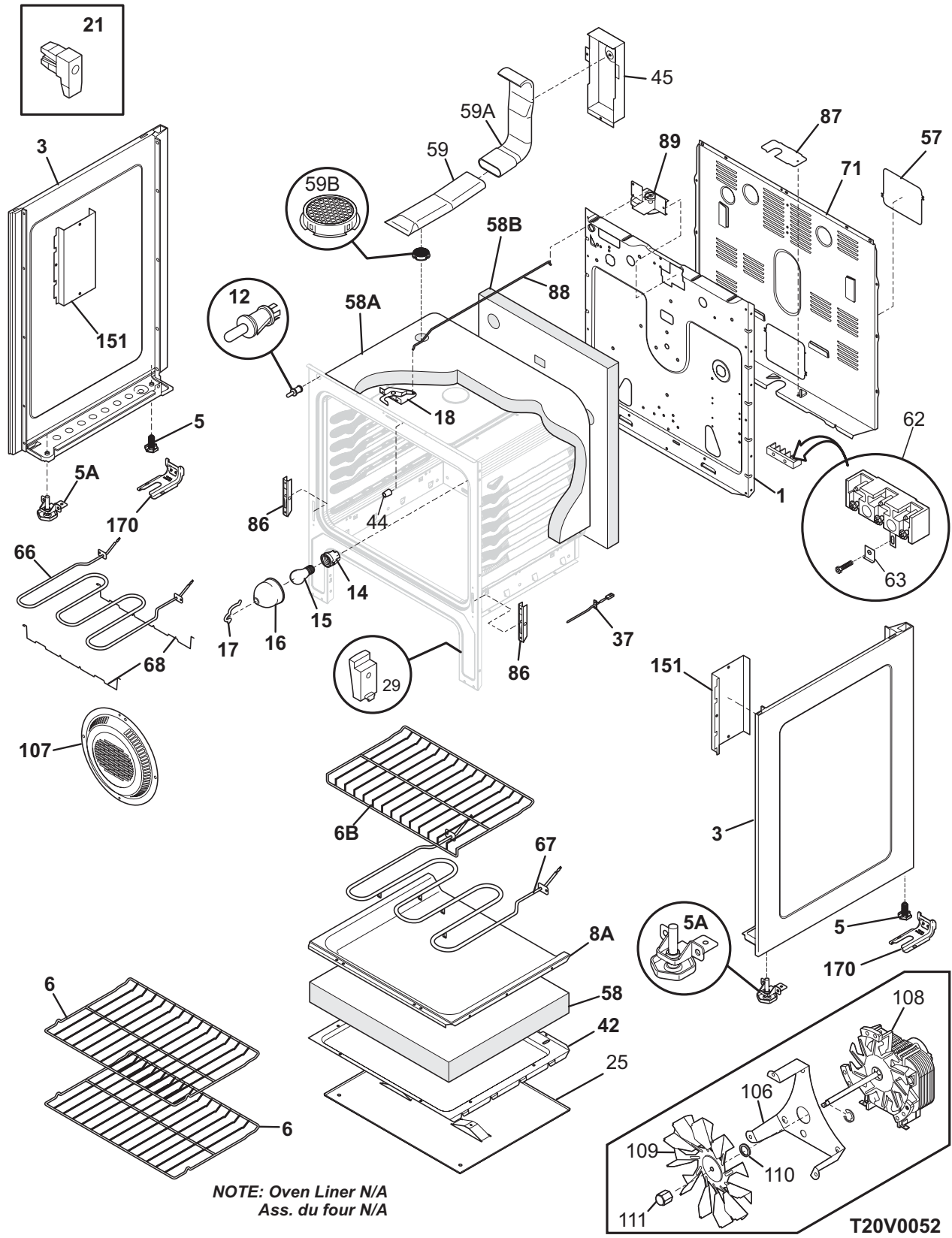


BODY

Model Index: A GLEF379D (GLEF379DBG)
 B GLEF379D (GLEF379DQG)
 C GLEF379D (GLEF379DSG)

POS. NO	PART NO.		DESCRIPTION
1	316401800	A B C	Panel, main back
3	316400118	A - -	Panel, bodyside, black, RH
3	316400119	A - -	Panel, bodyside, black, LH
3	316400120	- B -	Panel, bodyside, bisque, RH
3	316400121	- B -	Panel, bodyside, bisque, LH
3	316400116	- - C	Panel, bodyside, white, RH
3	316400117	- - C	Panel, bodyside, white, LH
5	316272900	A B C	Screw, leveling, plastic, rear, (2)
5A	316407201	A B C	Leveling Leg Assy, metal, front, (2), bracket & leg
6	316404500	A B C	Rack, oven
6B	316425400	A B C	Rack, oven
8A	316411102	A B C	Base, bake element
12	316445500	A B C	Switch, oven light, door frame
14	316116400	A B C	Receptacle, oven light
15	5303013071	A B C	Bulb/Lamp, light
16	08011086	A B C	Lens, oven light, glass
17	316087500	A B C	Retainer, lens
18 #	316405800	A B C	Latch Assembly, oven door
21	316408000	A B C	Clip, bodyside
25	5303289914	A B C	Shield-heat lower
29	316407301	A B C	Glide, drawer, front
37 #	316217001	A B C	Probe, oven temp
42	316407700	A B C	Shield, wool, lower
44	316246501	A B C	Spacer, oven door
45	316234100	A B C	Shield, wire, vent tube
57	316422400	A B C	Cover, access
58	316403801	A B C	Insulation, oven sump
58A	316406600	A B C	Insulation, oven wrapper
58B	316406500	A B C	Insulation, oven back
59	316208201	A B C	Tube, oven vent, lower
59A	316208304	A B C	Tube, oven vent, upper
59B	316247300	A B C	Catalyst, oven vent, ceramic
62	5303935238	A B C	Terminal Block Kit, w/ground plate
62*	316085600	A B C	Insulator
62*	316205500	A B C	Nut, hex flange, 3/8 10-32
63	316278800	A B C	Plate, grounding strap
66 #	316430900	A B C	Element, broil, 4000W
67	316415900	A B C	Element, bake, 3500W, 6 pass
68	316429100	A B C	Support, element, broil
71	316422300	A B C	Shield, rear wall
86	316441300	A B C	Receptacle, hinge
86*	316418901	A B C	Screw, trilobe, 10-32 x 5/16"
87	316081200	A B C	Bracket, cable mtg
88	316203500	A B C	Rod, auto latch
89 #	316415400	A B C	Motor, latch/lock
106	316404100	A B C	Bracket, motor mtg.
107	316026701	A B C	Cover, fan
108#	316415800	A B C	Motor, fan

BODY

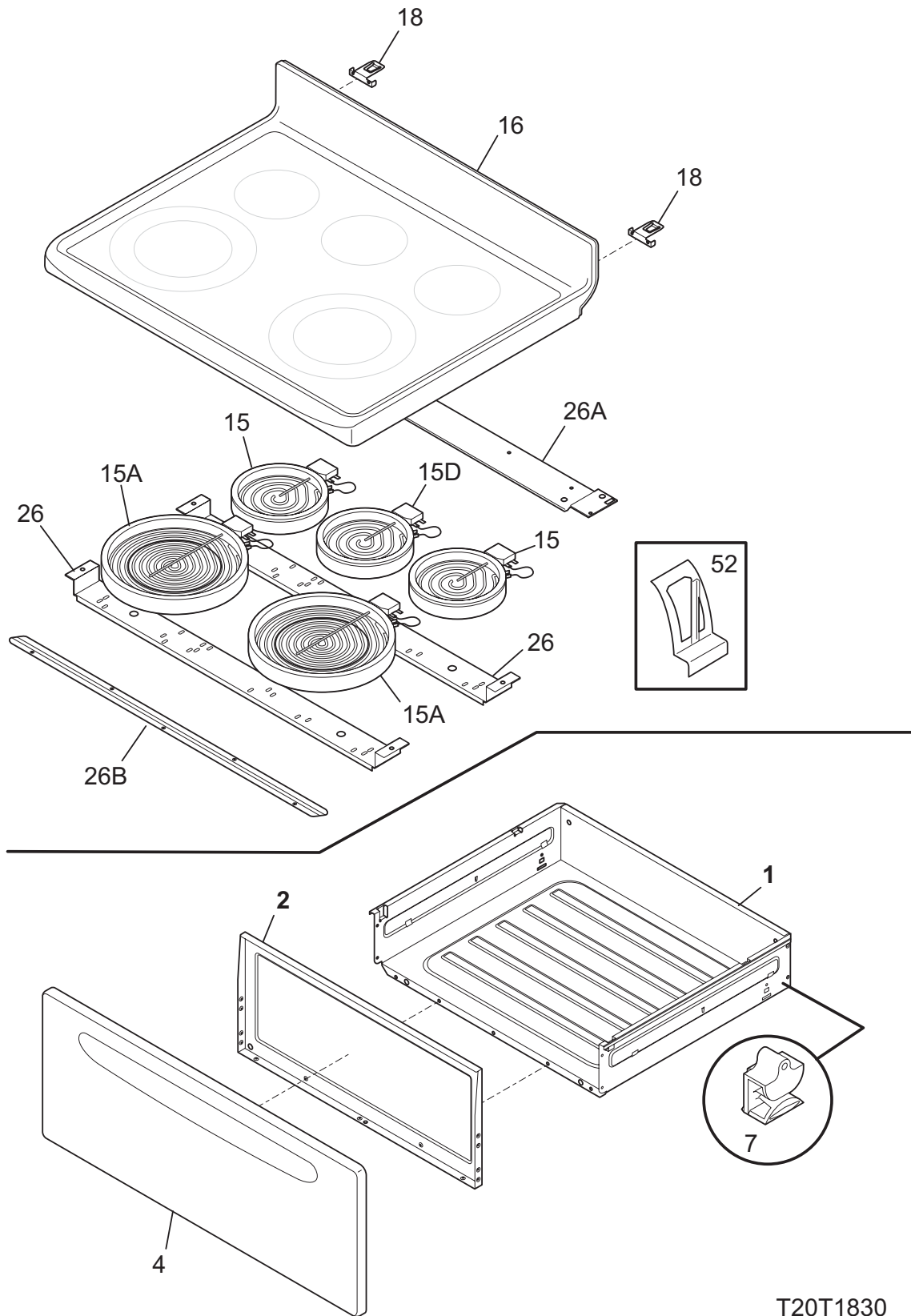


BODY

Model Index: A GLEF379D (GLEF379DBG)
 B GLEF379D (GLEF379DQG)
 C GLEF379D (GLEF379DSG)

POS. NO	PART NO.		DESCRIPTION
109	316136400	A B C	Blade, fan
110	316136500	A B C	Washer, flat
111	316136600	A B C	Nut, fan retainer
151	316404600	A B C	Shield, bodyside
170	5303935180	A B C	Anti-tip Kit, w/bracket, screw
170*	316107200	A B C	Bracket, anti-tip
170*	316112500	A B C	Template, anti-tip
170*	316116000	A B C	Screw, concrete, 1.75", anti-tip brkt
* #	316416406	A B C	Harness, wiring, main
*	316231800	A B C	Cover, hole, conv. element
*	5303305345	A - -	Paint, touch-up, black
*	5304414035	- B -	Paint, touch-up, bisque
*	5303321319	- - C	Paint, touch-up, white
*	316021105	A B C	Screw, hex head cup pt, 8-18 x 0.375, black
*	316021110	A B C	Screw, 8-18 x 0.5, black
*	316021132	A B C	Screw, 8-18 X 11/16, black
*	316089500	A B C	Screw, 10-16 x .486
*	5303271648	A B C	Screw, wafer hd sq dr, 8-18AB x 0.5
*	5303285179	A B C	Screw, wafer head, 8-32T x 0.500, black
*	5308014215	A B C	Screw, 6-20 x 0.312

TOP/DRAWER



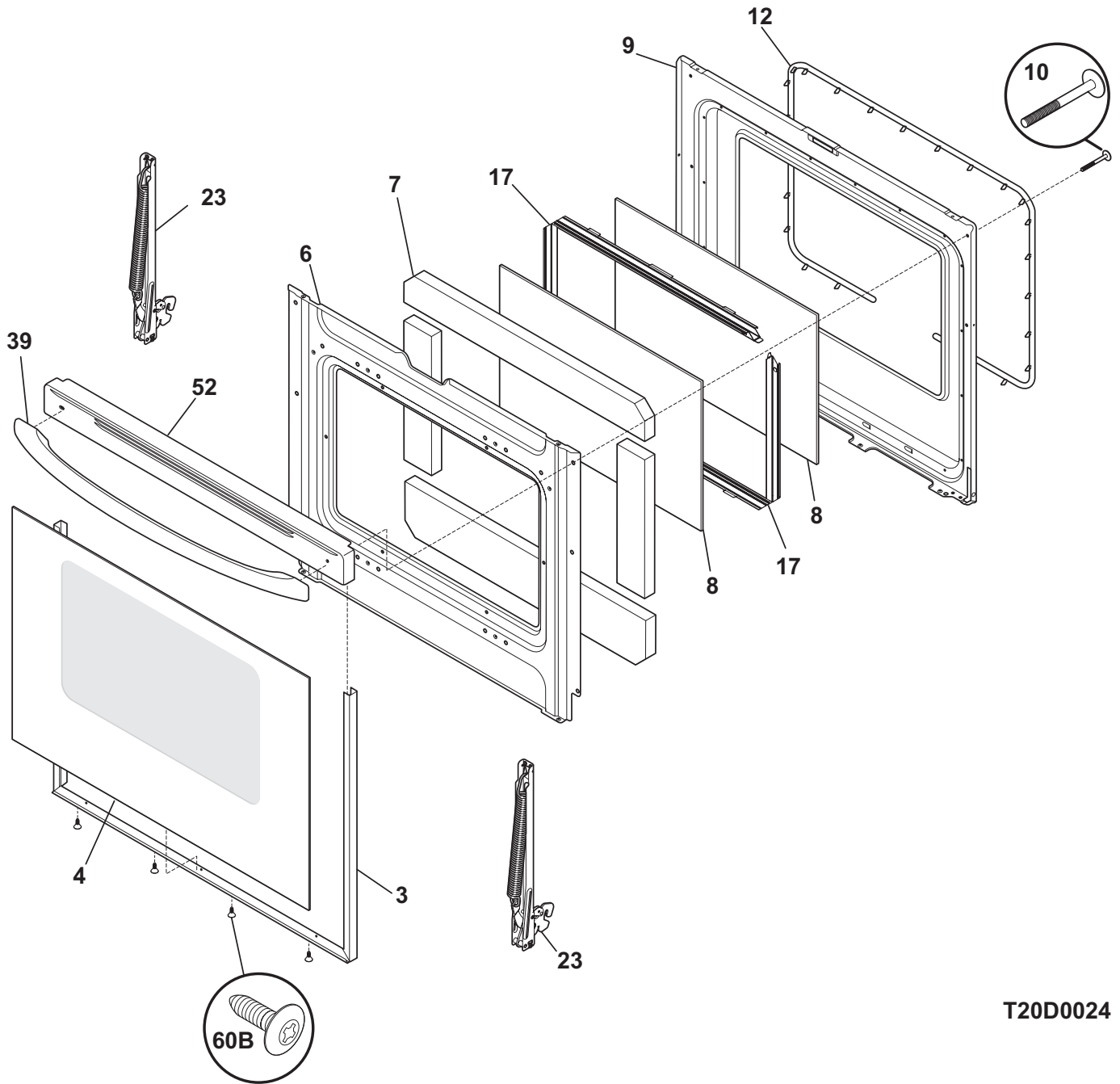
T20T1830

TOP/DRAWER

Model Index: A GLEF379D (GLEF379DBG)
 B GLEF379D (GLEF379DQG)
 C GLEF379D (GLEF379DSG)

POS. NO	PART NO.		DESCRIPTION
1	316408701	A B C	Drawer, utility
2	316403300	A B C	Liner, drawer
4	316403502	A - -	Panel, drawer front, black
4	316403503	- B -	Panel, drawer front, bisque
4	316403501	- - C	Panel, drawer front, white
7	316407400	A B C	Glide, drawer, rear
15 #	318178100	A B C	Element, surface, small/6 inch, 1200 W, radiant
15A#	316418400	A B C	Element, dual, 9" / 6", surface, 1200W/1300W, radiant
15D#	318198825	A B C	Element, surface, warmer, 100 W
16	316421259	A - -	Maintop, frame/glass, black
16	316421258	- B -	Maintop, frame/glass, bisque
16	316421257	- - C	Maintop, frame/glass, white
18	316436600	A B C	Hinge Bracket, maintop, (2)
26	316427600	A B C	Channel, element support, (2)
26A	316099202	A B C	Bracket, chassis support, rear
26B	316214200	A B C	Bracket, chassis support, front
52	316278300	A B C	Clip, element mtg
* #	316416878	A B C	Harness, wiring, surface
*	316264000	A B C	Cleaner, cooktop
*	316021105	A B C	Screw, hex head cup pt, 8-18 x 0.375, black
*	316021109	A B C	Screw, 8-18 x 0.5, chrome
*	316021110	A B C	Screw, 8-18 x 0.5, black
*	5308014215	A B C	Screw, 6-20 x 0.312

DOOR



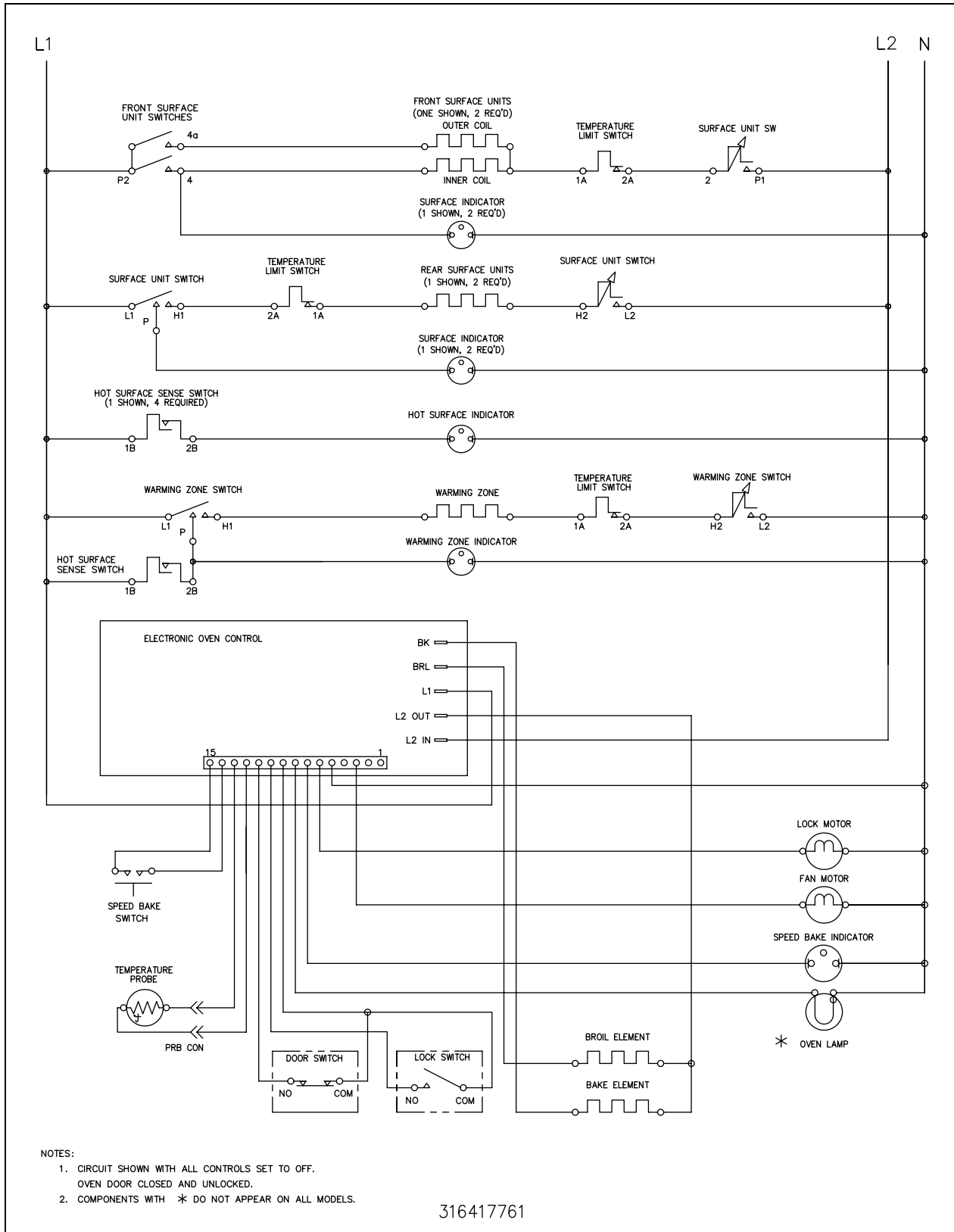
T20D0024

DOOR

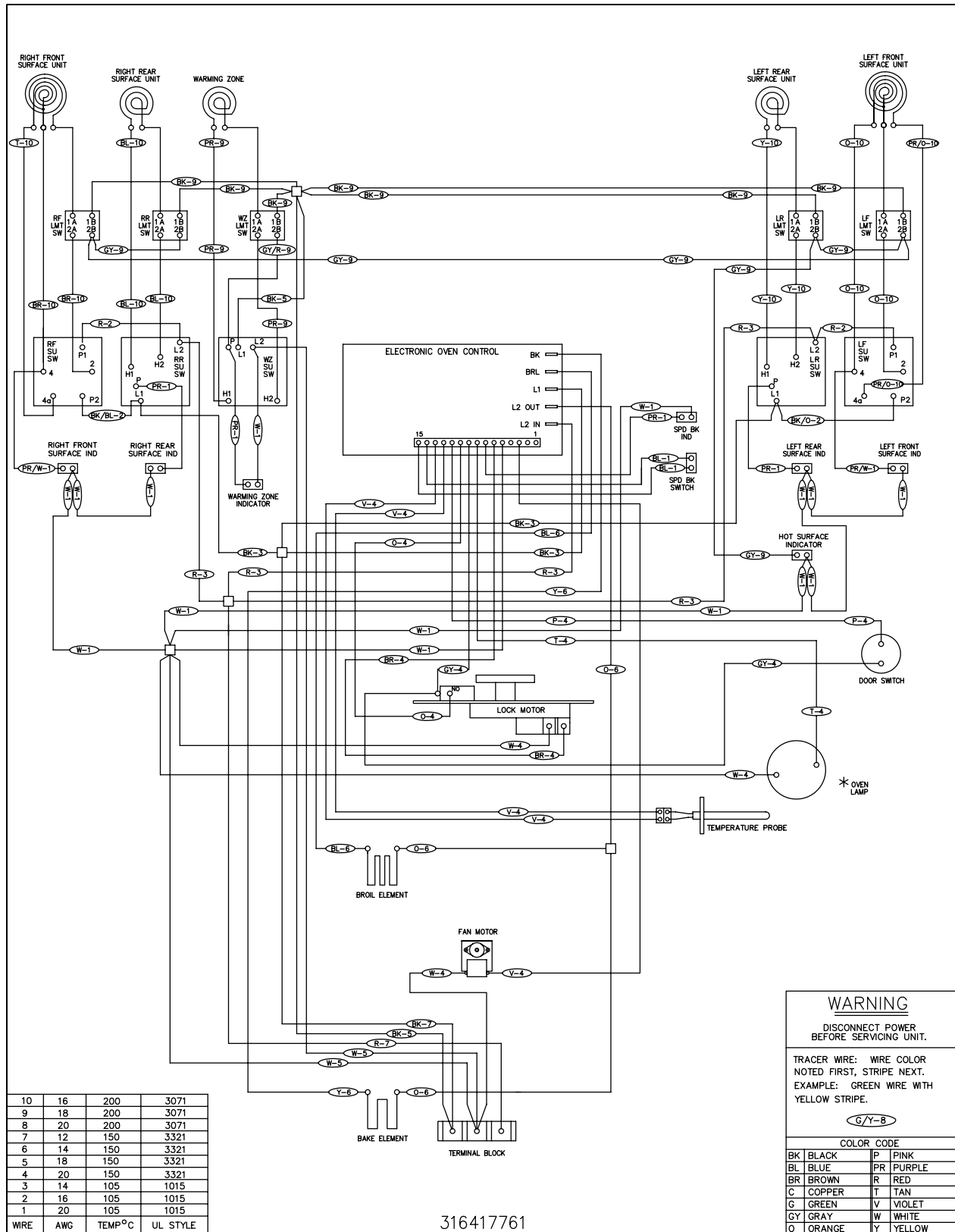
Model Index: **A** GLEF379D (GLEF379DBG)
 B GLEF379D (GLEF379DQG)
 C GLEF379D (GLEF379DSG)

POS. NO	PART NO.		DESCRIPTION
3	5303935245	A - -	Trim kit-door, 3 sided, black, w/tape
3	5303935244	- B -	Trim kit-door, 3 sided, bisque, w/tape
3	5303935243	- - C	Trim kit-door, 3 sided, white, w/tape
4	316406401	A - -	Glass, oven door, black, outer
4	316406402	- B -	Glass, oven door, bisque, outer
4	316406400	- - C	Glass, oven door, white, outer
6	316406307	A B C	Shield, wool
7	316405600	A B C	Insulation, oven door
8	316117500	A B C	Glass, oven door, heat barrier
9	316423701	A B C	Liner, oven door
10	316433300	A B C	Screw, 10-14 x 2.125", handle mtg.
12	316405000	A B C	Seal, oven door
17	316402403	A B C	Spacer, door glass, (2)
23	316437703	A B C	Hinge, oven door
23*	316418900	A B C	Screw, sims lp, #8-32 x 5/16", black
39	316270200	A - -	Handle, door, black
39	316270202	- B -	Handle, door, bisque
39	316270201	- - C	Handle, door, white
52	316405101	A - -	Cap, door trim, black
52	316405102	- B -	Cap, door trim, bisque
52	316405100	- - C	Cap, door trim, white
60B	316021110	A B C	Screw, 8-18 x 0.5, black
*	316433603	A B C	Label, anti-tip
*	316021109	A B C	Screw, 8-18 x 0.5, chrome
*	5303271648	A B C	Screw, wafer hd sq dr, 8-18AB x 0.5
*	5303285179	A B C	Screw, wafer head, 8-32T x 0.500, black

WIRING SCHEMATIC



WIRING DIAGRAM



316417761