

*Frigidaire*

## Factory Parts Catalog

Product No.	GLER104FSS0
Series	Frig Gallery
Market	North America
Color	white
Volts	240
Wiring Diagram	134067000
Owner's Guide	134671200
Installation Instructions	134296400
Operating Instructions	134843000

 **Electrolux**

Electrolux Major Appliances  
North & Latin America  
P.O. BOX 212378  
AUGUSTA, GA 30917

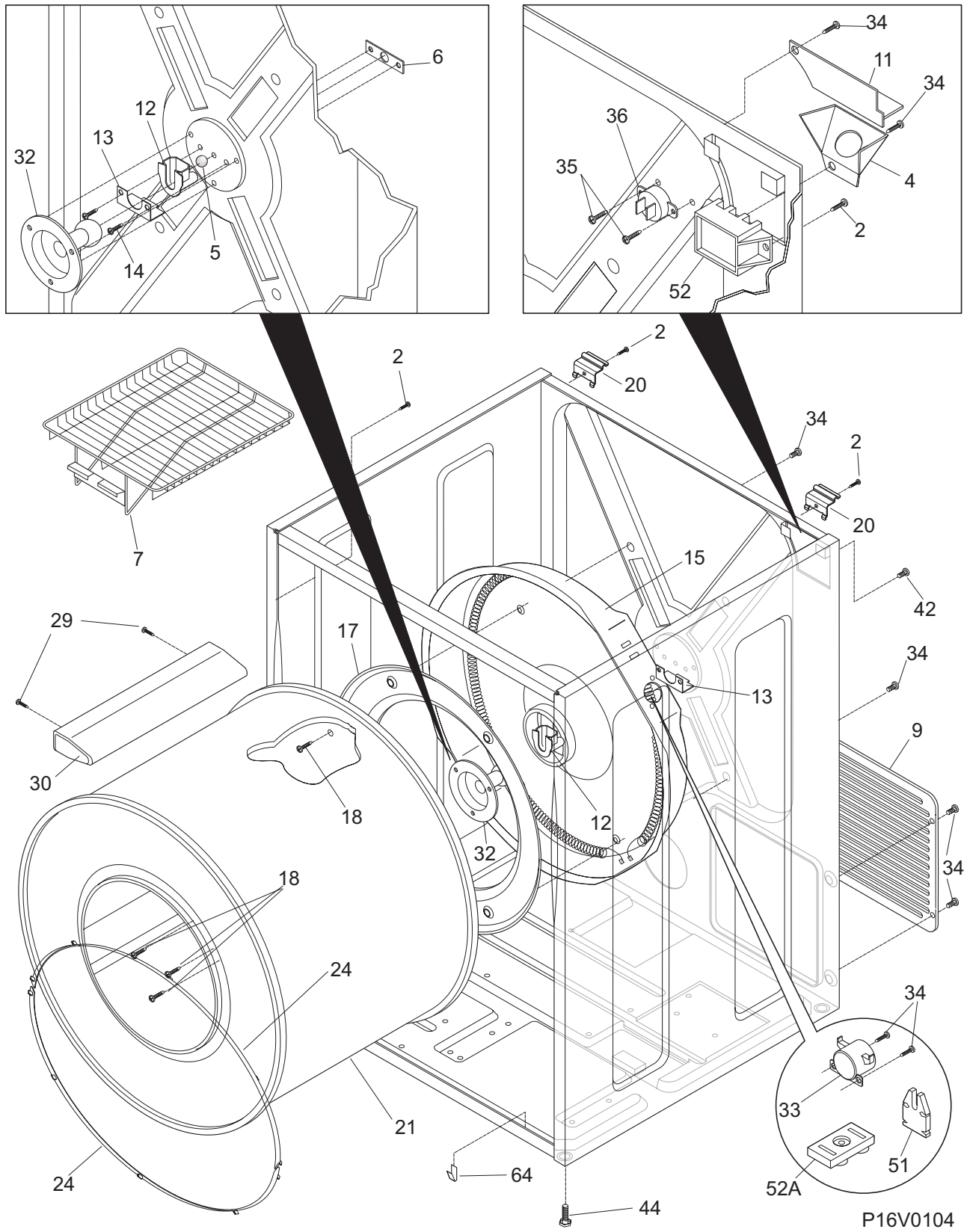
Publication No.  
**5995484051**  
07/02/09  
(EN/SERVICE/WC)  
361

## ELECTRIC DRYER

Model No.  
**GLER104FS**

Copyright © 2007 Electrolux Home Products, Inc.  
All rights reserved.

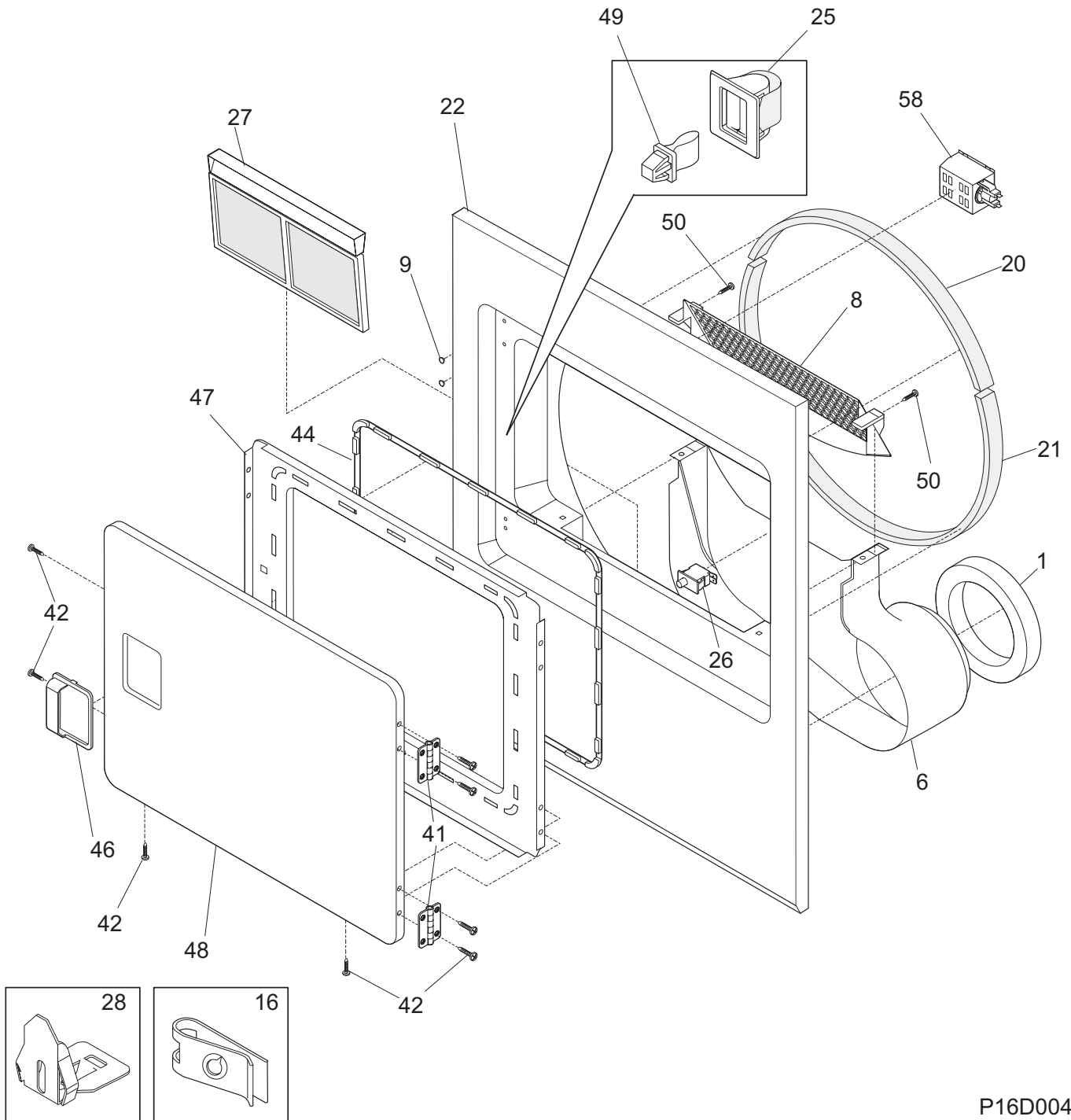
CABINET/DRUM



**CABINET/DRUM**

POS. NO	PART NO.	DESCRIPTION
2	131168200	Screw, pan head, 8-18B x 0.31
4	131785200	Bracket, elec power cord, knock out
5	5303281019	Ball, grounding
6	5303281020	Clip, ball, steel, flat nut
7	134121200	Rack, drying
9	131793200	Panel, service access, rear
11	5303211428	Cover, terminal block
12	131825900	Bearing, drum support
13	131724300	Bracket, bearing support
14	131205400	Screw, bracket mtg., 10-16B x 1.375, cr/sq drive
15 #	131553900	Heater Assy, w/housing/felt
17	3204254	Baffle, heater shield
18	131477000	Screw, 10-16AB x 0.375
20	131469100	Bracket, hinge, rear, top panel mtg.
21	134122552	Drum, dryer, stainless steel, service kit
24	131963900	Glide, drum
29	131382300	Screw, quadrex head, 10-14 x 1.00, vane mtg., special
30	5304405283	Vane, straight, gray
32	131777700	Shaft, drum support, ballhitch
32*	5303307893	Lubricant, high temp
33 #	3204267	Thermostat, safety
34	131243700	Screw, pan head, 8-18AB x 0.375
35	131892100	Screw, 6-20B x 0.230
36 #	134120900	Thermal Limiter
42	134154100	Screw, hex washer head, 10-32 x 0.375, ground
44	134158000	Leveling Leg, screw
51	131472100	Insulator, heater housing
52 #	134101400	Terminal Block, main
52A	3202786	Terminal Block, heater housing
64	131704600	Clip, front, cabinet bottom
* #	5303281153	Rear Bearing Kit, includes 5, 6, 12, 13, 14, 18, 32

FRONT PANEL/LINT FILTER



P16D0041

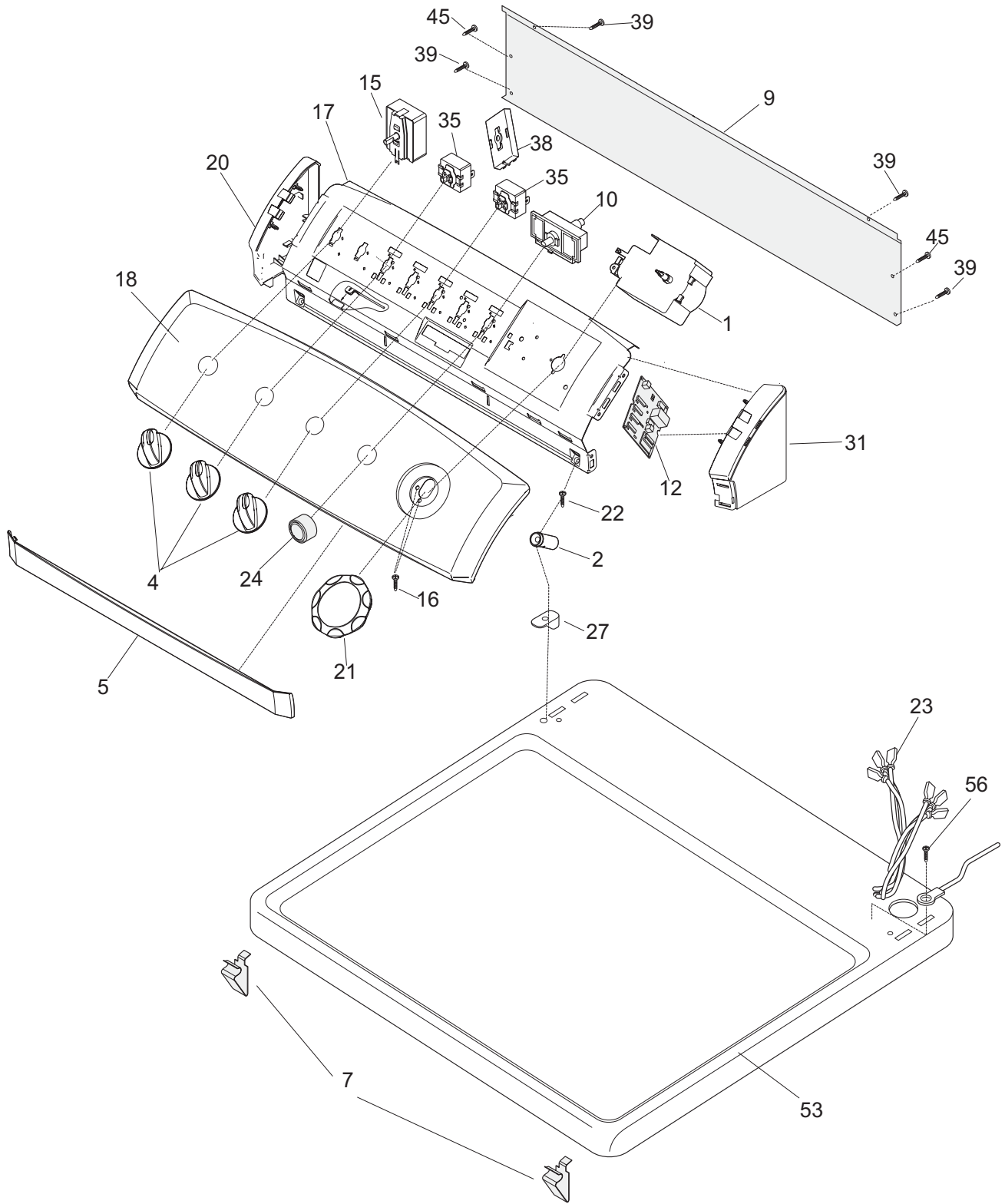
---

**FRONT PANEL/LINT FILTER**


---

POS. NO	PART NO.	DESCRIPTION
1	134417000	Seal, air duct
6	131621900	Duct, air
8 #	131845800	Cover, lint housing, w/moist sensor
9	131633200	Plug, white
16	134440100	Clip, U-nut
20	134440200	Seal, felt, upper
20*	5308027429	• Adhesive, high temp
21	134134700	Seal, felt, lower
22	131845912	Panel, front, white, w/lamp hole
22*	131474700	Insulation
25	131658800	Door Catch
26 #	131843101	Switch, door, rectangle, with drum light
27	131450300	Trap, lint blade assy
28	134440000	Clip, guide
41	134222900	Hinge, dryer door
42	134156200	Screw, flat head, 8-18AB x 0.44, quad drive
44	131129900	Gasket, door seal
46	131644700	Handle, door, white
47	131844104	Panel, inner door, white
48	131789303	Panel, outer door, white
49	5303211430	Door Strike
50	131303300	Screw, pan head, 10-16AB x 0.500, locking
58 #	131843500	Lamp Assy, drum light, w/mtg bracket
58*#	131862800	• Lamp

**CONTROLS/TOP PANEL**



P16C0236

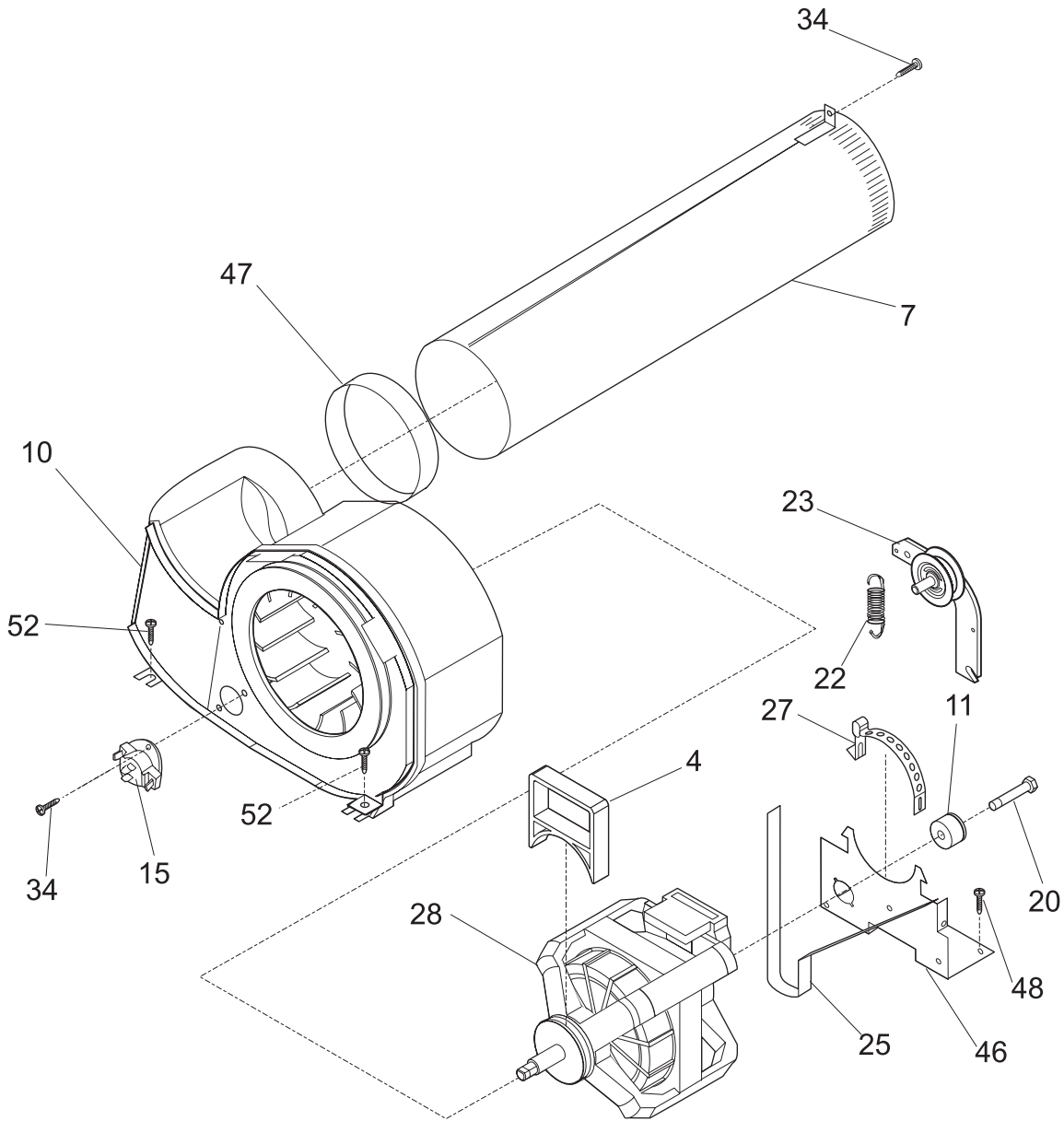
---

**CONTROLS/TOP PANEL**


---

POS. NO	PART NO.	DESCRIPTION
1 #	131930600	Timer
2	134096100	Spacer, console mtg
4	134034910	Knob, rotary, white
5	134019900	Closure, console trim, white, front
7	3205821	Clip, top-to-front
9	131992900	Panel, backsheet, console
10 #	131469000	Switch, push/start
12 #	134216300	Control Board, moisture sensor
15 #	134398600	Switch, temperature, 4 posn rotary
16	134034300	Screw, pan hd phillips, 8-18B x 0.250
17	131993040	Bracket, control mtg.
18	134843100	Panel, trimplate, white, console front
20	134019610	End Cap, white, LH
21	134035500	Knob, timer, white/gray
22	131266330	Screw, 8-18 x 1.250
23 #	134124300	Wiring Harness, main
24	131111501	Button, start switch, white, push type
27	131197000	Clip, console mtg
31	134019600	End Cap, white, RH
35 #	131243200	Switch, 2 position
38 #	131959200	Beeper, continuous, low tone
39	131168200	Screw, pan head, 8-18B x 0.31
45	131205100	Screw, #8 pan head, 10-10B x 0.500, cr/sq drive
53	134086802	Panel, dryer top, white, console mtg
56	131243800	Screw, pan hd locking, 8-32CA x 0.375, cup point

**MOTOR**



P16M0024



---

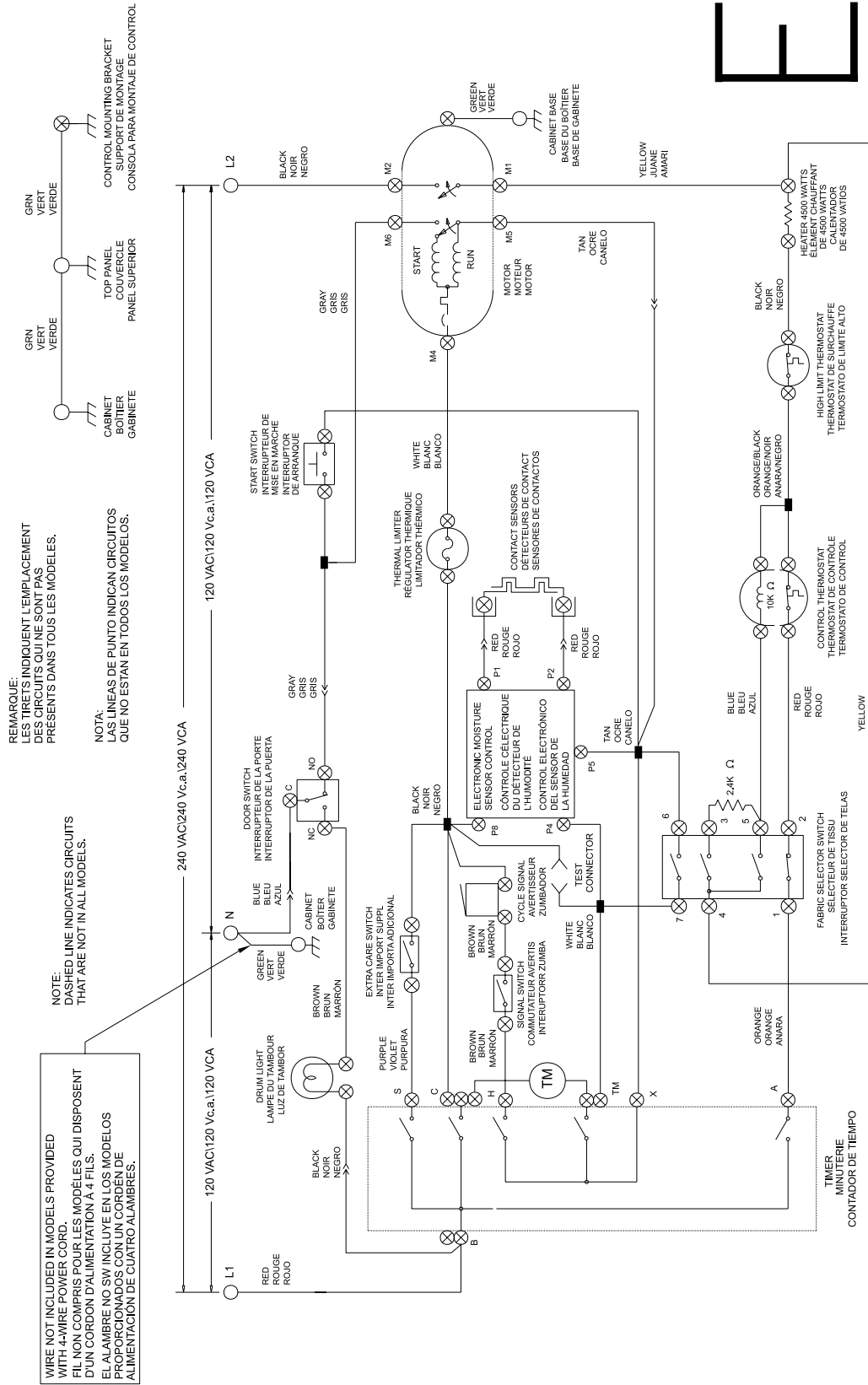
**MOTOR**


---

POS. NO	PART NO.	DESCRIPTION
4	131435200	Lock, blower housing
7	131451600	Tube, exhaust, rear, w/mtg bracket
7*	131456800	Tube, exhaust, side/bottom, Optional Kit
10 #	131775600	Blower Assy, housing, w/cover & wheel
11	131749800	Spacer, idler
15 #	134048800	Thermostat, control
20	131017900	Screw, hex head, 1/4-20T x 1.25, spacer mtg., thread cutting
22	131601000	Spring, idler arm
23 #	131863007	Idler Arm Assy, w/pulley
25 #	134503600	Belt, dryer
27	134242400	Clamp, motor mtg.
28 #	131560100	Motor & Pulley Assy
34	131243700	Screw, pan head, 8-18AB x 0.375
46	134203400	Bracket, motor mtg
47	131633300	Seal, exhaust tube
48	131168200	Screw, pan head, 8-18B x 0.31
52	131202300	Screw, 10-16AB x 0.625

WIRING DIAGRAM

CAUTION: DISCONNECT ELECTRIC CURRENT BEFORE SERVICING  
 MISE EN GARDE: METTRE HORS TENSION AVANT D'EFFECTUER TOUTE MESURE D'ENTRETIEN.  
 PRECAUCION: DESCONECTAR LA CORRIENTE ELECTRICA ANTES DE DAR SERVICIO A LA SECADORA.



REMARQUE:  
LES TIRETS INDICENT L'EMPLACEMENT  
DES CIRCUITS QUI NE SONT PAS  
PRESENTS DANS TOUS LES MODELES.

NOTE:  
DASHED LINE INDICATES CIRCUITS  
THAT ARE NOT IN ALL MODELS.

NOTA:  
LAS LINEAS DE PUNTO INDICAN CIRCUITOS  
QUE NO ESTAN EN TODOS LOS MODELOS.

WIRE NOT INCLUDED IN MODELS PROVIDED  
WITH 4-WIRE POWER CORD.  
FIL NON COMPRIS POUR LES MODELES OUI DISPOSENT  
D'UN CORDON D'ALIMENTATION A 4 FILS.  
EL ALAMBRE NO SE INCLUYE EN LOS MODELOS  
PROPORCIONADOS CON UN CORDON DE  
ALIMENTACION DE CUATRO ALAMBRES.

GRN VERT VERDE CONTROL MOUNTING BRACKET  
SUPPORT DE MONTAGE  
CONSOLA PARA MONTAJE DE CONTROL

GRN VERT VERDE TOP PANEL  
COUVERCLE  
PANEL SUPERIOR

GRN VERT VERDE CABINET  
BOITIER  
GABINETE

WIRING DIAGRAM  
SCHEMA DE CABLAGE  
DIAGRAMA DE CONEXIONES  
134067000

WIRING DIAGRAM

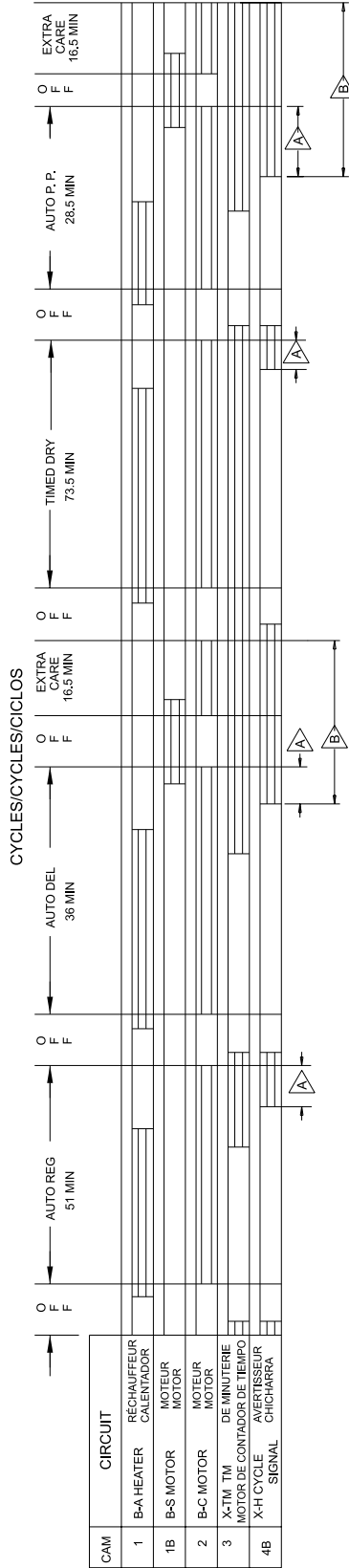
FABRIC SELECTOR SWITCH BOUTON DE SELECTION DU TISSU INTERRUPTOR SELECTOR DE TELAS		CIRCUIT CIRCUITO	
FUNCTION REGULAR	FUNCTION REGULIER MEDIUM LOW	1-2	4-3
	REGULAR	X	
	MEDIUM		X
	LOW		X
	DUVETAGE ESPONNADO CON AIRE		X

- NOTAS:
- TODAS LAS INSTALACIONES ALAMBRICAS DEBEN CUMPLIR CON LOS CODIGOS ELECTRICOS LOCALES.
  - CONECTAR LA SECADORA A UN CIRCUITO DE RAMAL INDIVIDUAL DE 30 AMPERIOS.
  - EL CRONIZADOR SE MUESTRA EN POSICION APAGADO. EL INTERRUPTOR DE LA PUERTA CERRADO. EL MOTOR EN REPOSE. EL TERMOSTATO CERRADO Y EL INTERRUPTOR SELECTOR DE TELAS EN REGULAR.

- REMARQUES:
- TOUT LE CÂBLAGE DOIT RESPECTER LES CODES DE L'ELECTRICITE LOCAUX.
  - BRANCHER LA SECHEUSE A UNE DERIVATION DISTINCTE DE 30 AMPERES
  - MINUTERIE ILLUSTREE EN POSITION FERME. INTERRUPTEUR DE LA PORTE FERME. MOTEUR ARRETE. THERMOSTAT FERMARRETE ET BOUTON DE SELECTION DU TISSU SUR REGULIER.

WIRING CODES	CODES DE CÂBLAGE	CODIGOS DE ALAMBRADOS
⊗ QUICK DISCONNECT TERMINAL CONNECTION	BORNE A DORNE BRANCHEMENT RAPIDE CONEXION	TERMINAL DE DESCONECION RAPIDA CONEXION
⊕ NO CONNECTION	AUCUNE CONEXION	SIN CONEXION
⊖ MOTOR SWITCH	INTERRUPTEUR DU MOTEUR	INTERRUPTOR DEL MOTOR
⊕-⊖ SPICE	ÉPISURE	EMPALME
⊖-⊕ MOTOR PROTECTOR	PROTECTEUR DU MOTEUR	PROTECTOR DEL MOTOR
⊕-⊖ CHASSIS (CABINET) GROUND	MISE A LA TERRE DU BOMISE (PIER)	PUUESTA A TIERRA DEL CHASIS (GABINETE)
⊕ SCREW TERMINAL	BORNE A VIS	BORNE DE TORNILLO
⊕ HARNESS CONNECTOR TERMINAL	BORNE A CONNECTEUR DE HARNAIS	TERMINAL CONECTOR DE CONEXIONADO
⊕ INSULATED TERMINAL	BORNE OSOLEE	TERMINAL AISLADO

- NOTES:
- ALL WIRING MUST CONFORM TO LOCAL ELECTRICAL CODES.
  - CONNECT DRYER TO A 30 AMP INDIVIDUAL BRANCH CIRCUIT.
  - TIMER SHOWN IN OFF POSITION, DOOR SWITCH CLOSED, MOTOR AT REST, THERMOSTAT CLOSED AND FABRIC SELECTOR SWITCH AT REGULAR.



BAR CHART ABOVE REPRESENTS ONE COMPLETE REVOLUTION OF TIMER SHAFT.

SHADED PORTION OF BAR CHART INDICATES THE PROPORTIONAL TIMES THAT INTERNAL TIMER CONTACTS ARE CLOSED.

A PULSAR CAM, LOCATED NEXT TO THE BUZZER CAM AND ROTATING AT 12 REVOLUTIONS PER HOUR, ALLOWS CIRCUITS "X-H" TO CLOSE FOR 5 SECONDS (±3 SECONDS).

LE DIAGRAMME SUR LA GAUCHE REPRÉSENTE UNE ROTATION COMPLÈTE DE L'ARBRE DE LA MINUTERIE.

LA PARTIE OMBRÉE DU DIAGRAMME INDIQUE LE TEMPS RELATIF PENDANT LEQUEL LES CONTACTS INTERNES DE LA MINUTERIE SONT FERMÉS.

UNE CAME D'IMPULSION SITUÉE À CÔTÉ DE LA CAME DE L'AVERTISSEUR ET TOURNANT À RAISON DE 12 TOURS À L'HEURE PERMET AU CIRCUIT "X-H" DE SE FERMER PENDANT 5 SECONDES (±3 SECONDES).

EL GRAFICO DE BARRAS DE LA IZQUIERDA REPRESENTA UNA REVOLUCION COMPLETA DEL EJE DEL CRONIZADOR.

LA PORCION SOMBRADA DEL GRAFICO DE BARRAS INDICA LOS TIEMPOS PROPORCIONALES QUE LOS CONTACTOS INTERNOS DEL CRONIZADOR ESTAN CERRADOS.

UNA LEVA GENERADORA DE IMPULSION, UBICADA JUNTO A LA LEVA DEL ZUMBADOR Y GIRANDO A 12 REVOLUCIONES POR HORA, PERMITE QUE EL CIRCUITO "X-H" SE CIERRE DURANTE 5 SEGUNDOS (±3 SEGUNDOS).

A 1 OR 2 TIMES IN THIS AREA  
B 5 TO 7 TIMES IN THIS AREA

A 1 OR 2 FOIS DANS CETTE SECTION  
B DE 5 A 7 FOIS DANS CETTE SECTION

A 1 O 2 VECES EN ESTA AREA  
B 5 A 7 VECES EN ESTA AREA

WIRING DIAGRAM  
SCHEMA DE CÂBLAGE  
DIAGRAMA DE CONEXIONES  
134067000