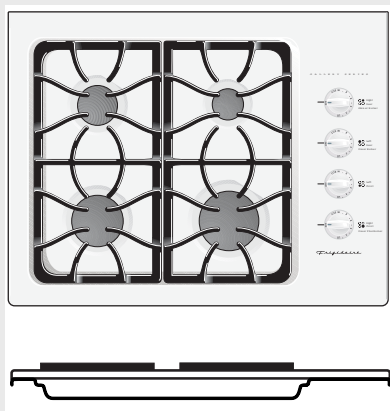


Frigidaire

Factory Parts Catalog



Product No.	GLGC30S9EBA	GLGC30S9EQA	GLGC30S9ESA
	3775621675061	3775621675041	3775621675011
Series	30" gas	30" gas	30" gas
Color	black	bisque	white
Market	North America	North America	North America
Wiring Diagram	318047111	318047111	318047111
Owner's Guide	318200672	318200672	318200672
Installation Instructions	318201464	318201464	318201464

Electrolux

Electrolux Major Appliances
North & Latin America
P.O. BOX 212378
AUGUSTA, GA 30917

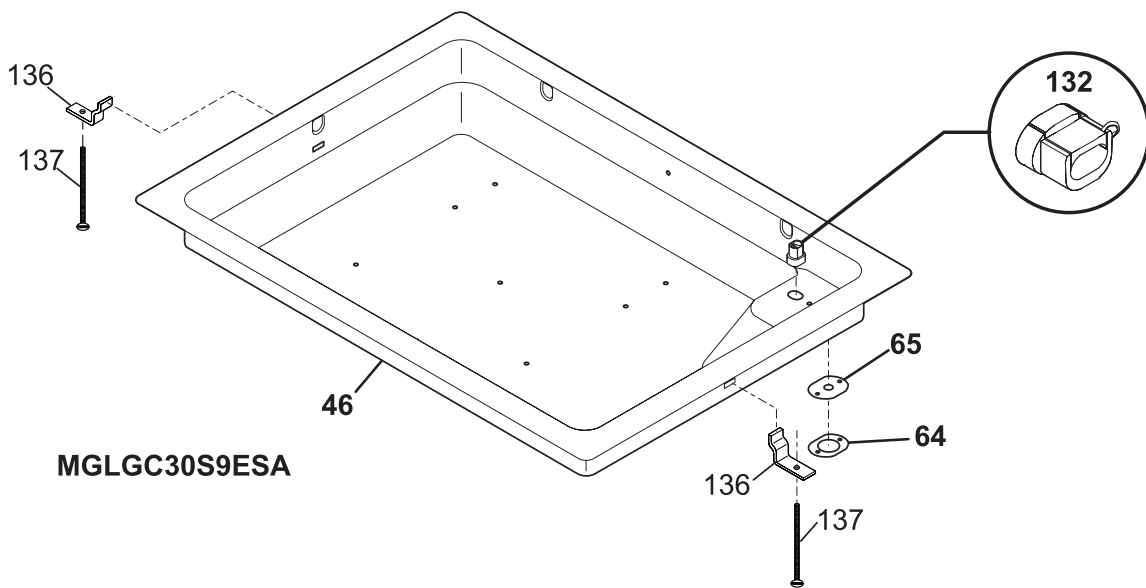
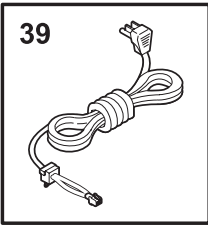
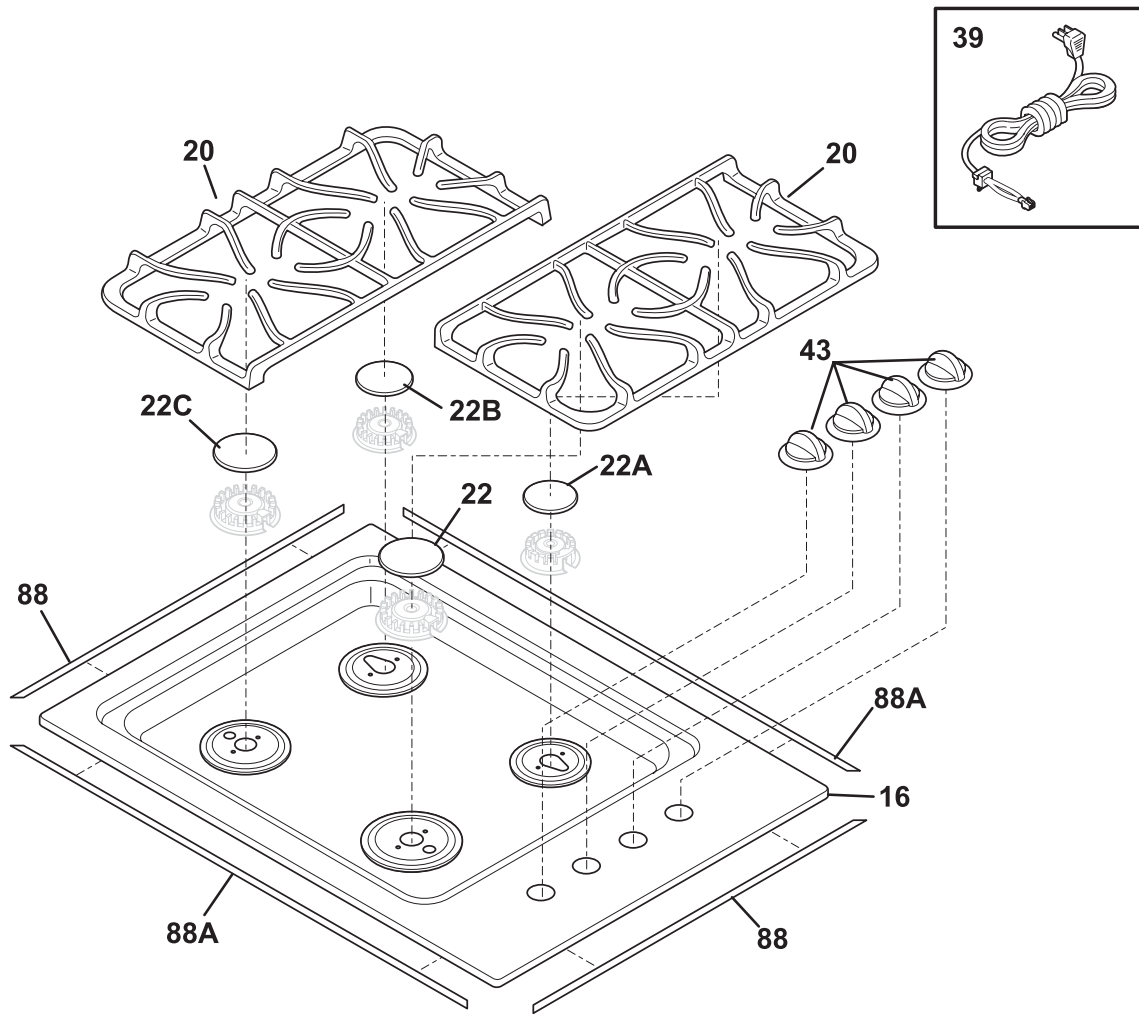
Publication No.
5995457073
05/12/28
(EN/SERVICE/ECL)
377

GAS COOK-TOP RANGE

Model No.
GLGC30S9E

Copyright © 2005 Electrolux Home Products, Inc.
All rights reserved.

COOK TOP



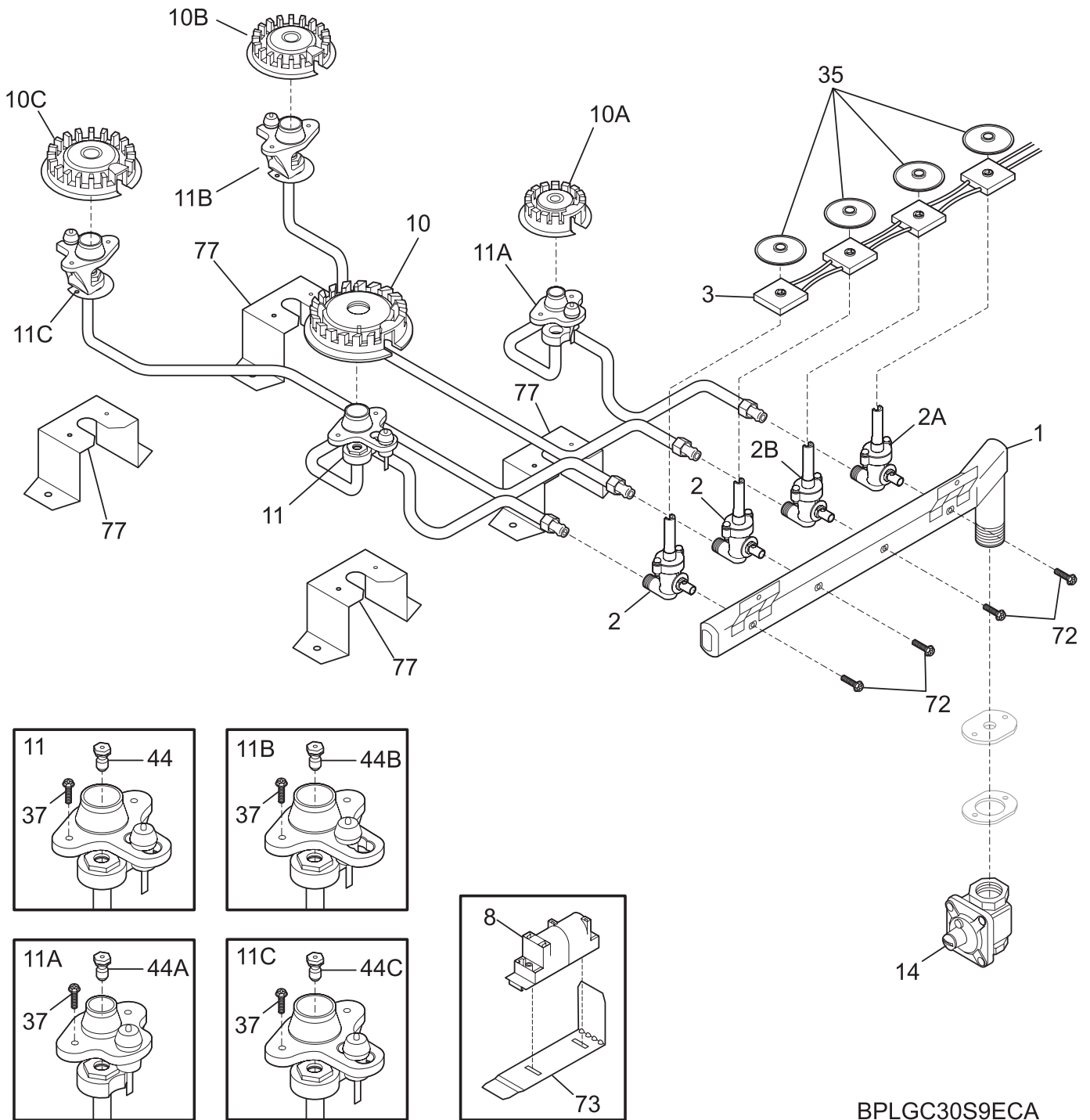
MGLGC30S9ESA

COOK TOP

Model Index: A GLGC30S9E (GLGC30S9ESA)
 B GLGC30S9E (GLGC30S9EBA)
 C GLGC30S9E (GLGC30S9EQA)

POS. NO	PART NO.		DESCRIPTION
16	318296333	A - -	Maintop, white
16	318296335	- B -	Maintop, black
16	318296334	- - C	Maintop, bisque
20	318221667	A - -	Grate, gray, (2)
20	318221666	- B -	Grate, black, (2)
20	318221668	- - C	Grate, brown, (2)
22	316219901	A - -	Cap, 14K burner, grey
22	316219900	- B -	Cap, 14K burner, black
22	316219904	- - C	Cap, 14K burner, brown
22A	316206601	A - -	Cap, 5K burner, gray
22A	316206600	- B -	Cap, 5K burner, black
22A	316206602	- - C	Cap, 5K burner, brown
22B	316213501	A - -	Cap, 9.5K burner, gray
22B	316213500	- B -	Cap, 9.5K burner, black
22B	316213503	- - C	Cap, 9.5K burner, brown
22C	316213601	A - -	Cap, 12K burner, gray
22C	316213600	- B -	Cap, 12K burner, black
22C	316213603	- - C	Cap, 12K burner, brown
39	318144006	A B C	Cord, service
43	318196155	A - -	Knob, control, white
43	318196157	- B -	Knob, control, black
43	318196156	- - C	Knob, control, bisque
46	318278900	A B C	Box, burner
64	5303304033	A B C	Bracket, retainer
65	5303304032	A B C	Seal, rubber
88	318280101	A B C	Gasket, cooktop, 21.48", sides, (2)
88A	318280100	A B C	Gasket, cooktop, 29.79", front/back, (2)
132	3201437	A B C	Strain relief
136	318264300	A B C	Support, box, (2)
137	5303285443	A B C	Screw, lock bracket, 10-24 x 2.00
*	5303307980	A B C	Screw, 8-32 x 0.437, (4)

BURNER



BPLGC30S9ECA

BURNER

Model Index: A GLGC30S9E (GLGC30S9ESA)
 B GLGC30S9E (GLGC30S9EBA)
 C GLGC30S9E (GLGC30S9EQA)

POS. NO	PART NO.		DESCRIPTION
1	318177006	A B C	Manifold Pipe
2 #	318087315	A B C	Valve, burner, 11K/14K
2A #	318087313	A B C	Valve, burner, 5K
2B #	318087314	A B C	Valve, burner, 9.5K
3 #	318232604	A B C	Wiring Harness, w/igntr switch
8 #	316135701	A B C	Module, spark
10 #	316223400	A B C	Burner, sealed, 14K
10A#	316206400	A B C	Burner, sealed, 5K
10B#	316212400	A B C	Burner, sealed, 9.5K
10C#	316212300	A B C	Burner, sealed, 12K
11 #	318221333	A B C	Ignitor/orifice assy., top burner, right front, 14K, w/holder, tube
11A#	318221332	A B C	Ignitor/orifice assy., top burner, right rear, 5K, w/holder, tube
11B#	318221334	A B C	Ignitor/orifice assy., top burner, left rear, 9.5K, w/holder, tube
11C#	318221336	A B C	Ignitor/orifice assy., top burner, left front, 12K, w/holder, tube
14 #	5308007974	A B C	Regulator, pressure
35	318146301	A B C	Bushing
37	316240600	A B C	Screw, assy mtg, ignitor/orifice
44	316237900	A B C	Orifice, top burner, 14K
44A	316237903	A B C	Orifice, top burner, 5K
44B	316237902	A B C	Orifice, top burner, 9.5K
44C	316237901	A B C	Orifice, top burner, 12K
72	316134300	A B C	Screw, 10-24, valve mounting
73	318024201	A B C	Bracket, spark module
77	318192600	A B C	Bracket, burner mtg, (5)
77*	5304403558	A B C	Screw, 10-16 x 0.250
* #	318127425	A B C	LP Conversion Kit
*	318199742	A B C	Wiring Harness, ignitor
*	08011955	A B C	Screw, 10-24 x 0.375, square drive
*	5303311532	A B C	Screw, 6-32 x 1/4", back

WIRING DIAGRAM

