

Frigidaire

Factory Parts Catalog

Product No.	FFC0522DW9
Series	134A
Color	white
Volts	115V
Wiring Diagram	297010501
Owner's Guide	297080400
Market	North America
Energy Guide	216793810

 **Electrolux**

Electrolux Major Appliances
North & Latin America
P.O. BOX 212378
AUGUSTA, GA 30917

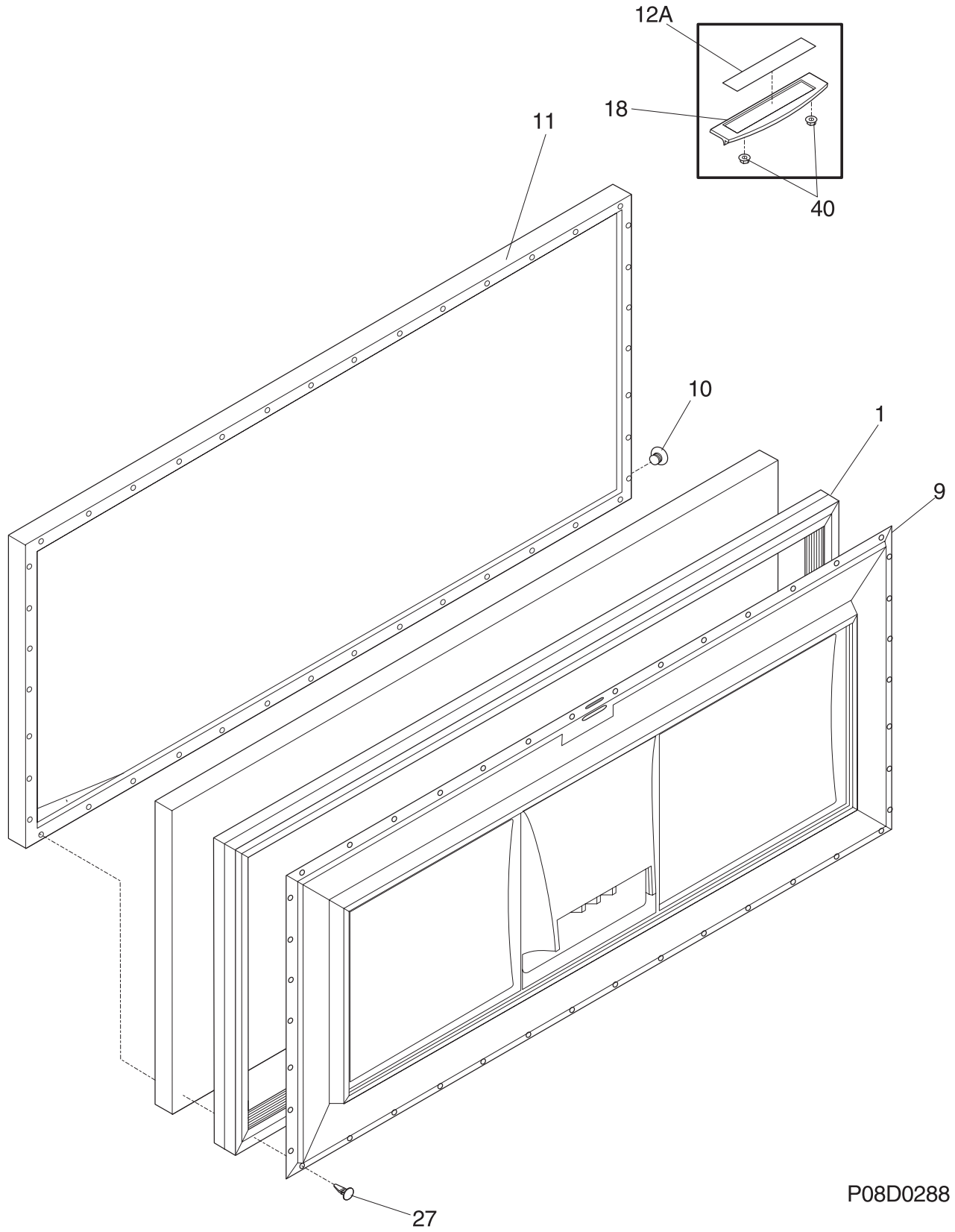
Publication No.
5995532461
09/02/04
(EN/SERVICE/MLR)
365

FREEZER CHEST

Model No.
FFC0522DW

Copyright © 2009 Electrolux Home Products, Inc.
All rights reserved.

DOOR

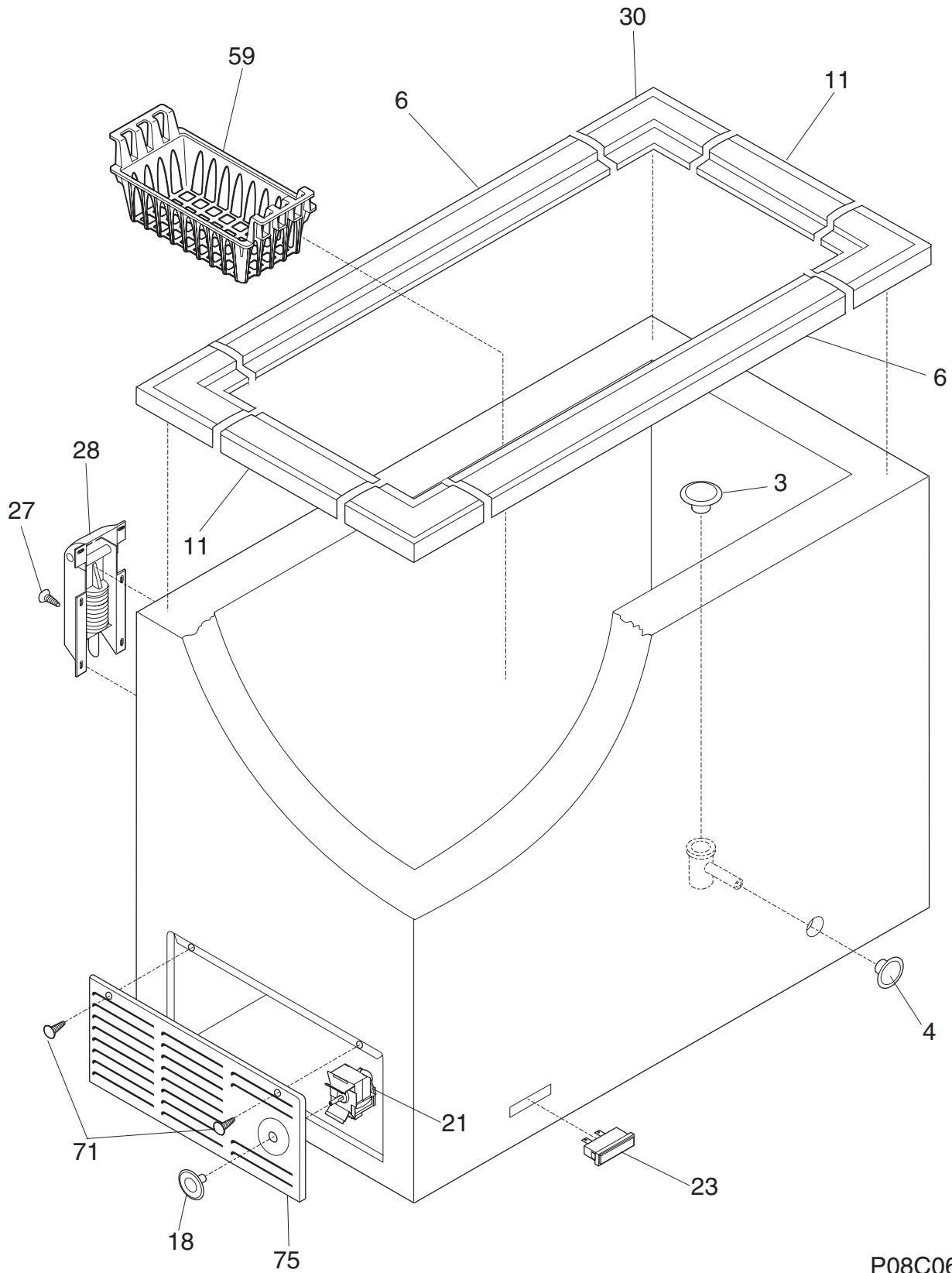


P08D0288

DOOR

POS. NO	PART NO.	DESCRIPTION
1	216480801	Gasket-door, white
9	216061502	Panel-inner lid, white
10	216923001	Plug button, 1/4", white
11	216106006	Panel-lid
*	216858001	Screw, 8-18x.50 AB, #10
12A	216816802	Insert-nameplate
18	216446602	Handle, white
27	5303212828	Clip, panel mtg
27*	5304406520	Clip, panel mtg kit, (40)
40	216922700	Fastener, .330 dia stud, handle, (2)

CABINET

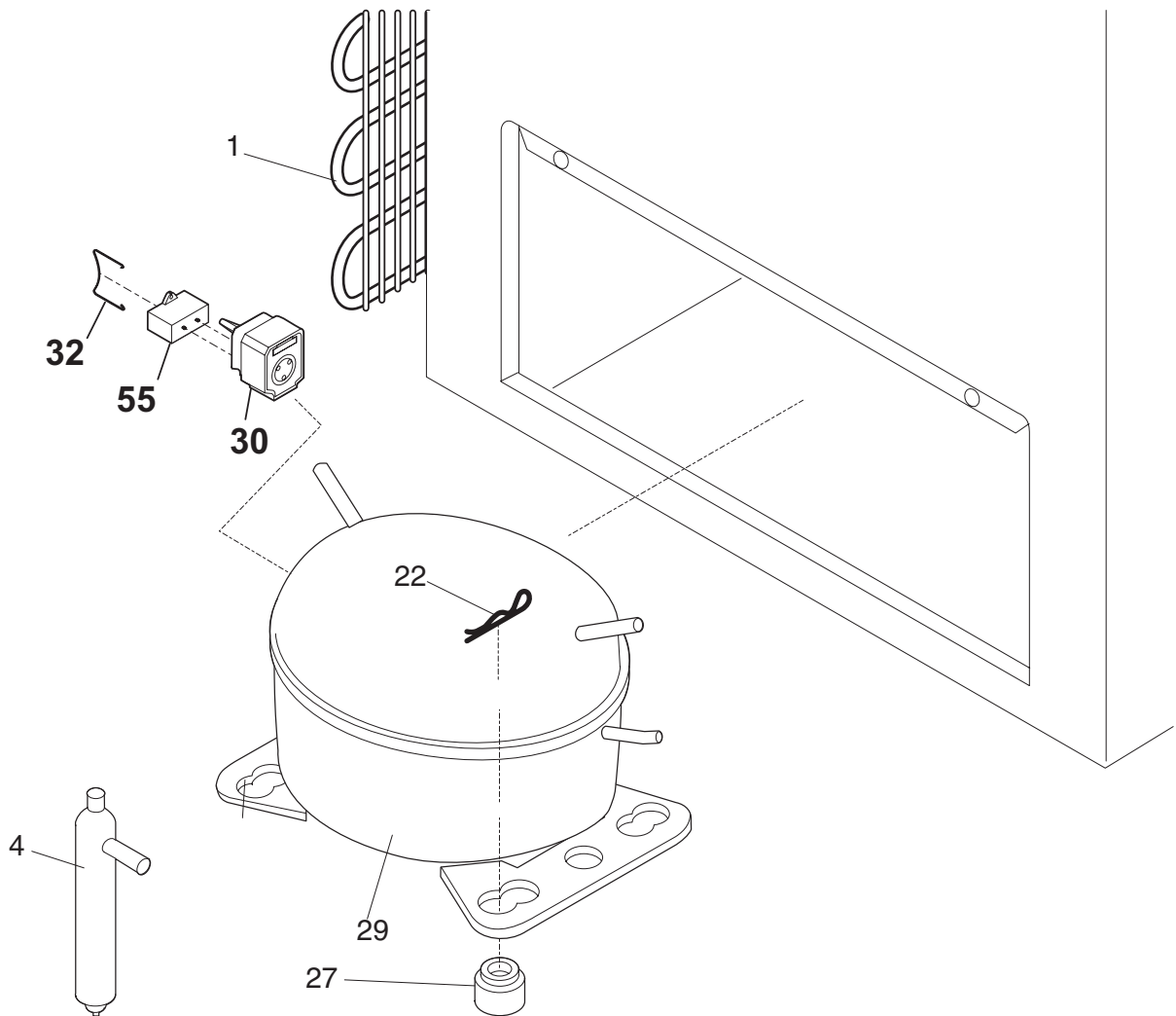
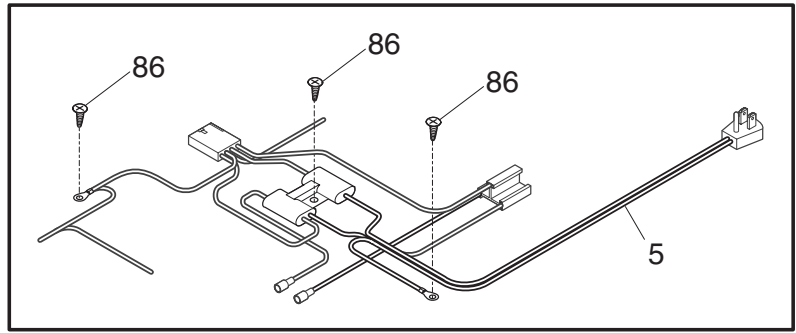
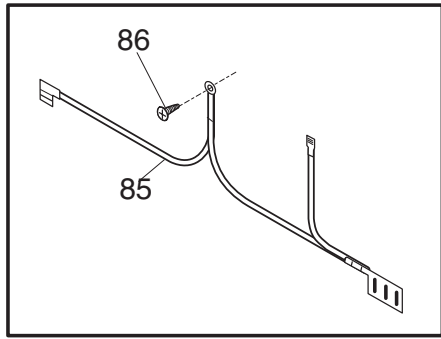


P08C0673

CABINET

POS. NO	PART NO.	DESCRIPTION
3	216502600	Plug, drain, interior
4	297013600	Plug, drain, exterior
6	216855700	Breaker, hinge side
11	216855706	Breaker-ends, white
18	216707200	Knob, temp control
21 #	216787700	Control-temperature
23	297181900	Light, signal, amber
27	216337701	Screw, HWH, 10-24 x 0.500, Swage
28	216478800	Hinge Assy
30	216105500	Breaker-corners, white
59	216848200	Basket
71	5304463819	Screw, AB, 8-18X3/8
75	216782000	Panel-access, white
*	216793810	Energy Guide
*	5303305324	Paint, touch-up, white

SYSTEM



P08S0355

SYSTEM

POS. NO	PART NO.	DESCRIPTION
1	5300120779	Condenser
4	216987500	Drier-filter
5 #	216952300	Harness-main
*	216707801	Screw, PH, 8-32 x 1/2, wiring harness
22	216056401	Clip-compressor mtg
27	5308002681	Grommet, compressor
29 #	297199800	Compressor, w/grommets
30	216954217	Controller
32	216954300	Clip, controller
55	218909911	Capacitor, run
85	216818300	Wire-ground
86	216707701	Screw, 8-18 X 1/2