

*Frigidaire*

Factory Parts Catalog

Product No.	FEF368GBC	FEF368GQC	FEF368GSC
Series	30" f/s elec	30" f/s elec	30" f/s elec
Color	black	bisque	white
Market	North America	North America	North America
Owner's Guide	316417003	316417003	316417003
Installation Instructions	316454912	316454912	316454912
Service Data Sheet	316441491	316441491	316441491

 **Electrolux**

Electrolux Major Appliances  
 North & Latin America  
 P.O. BOX 212378  
 AUGUSTA, GA 30917

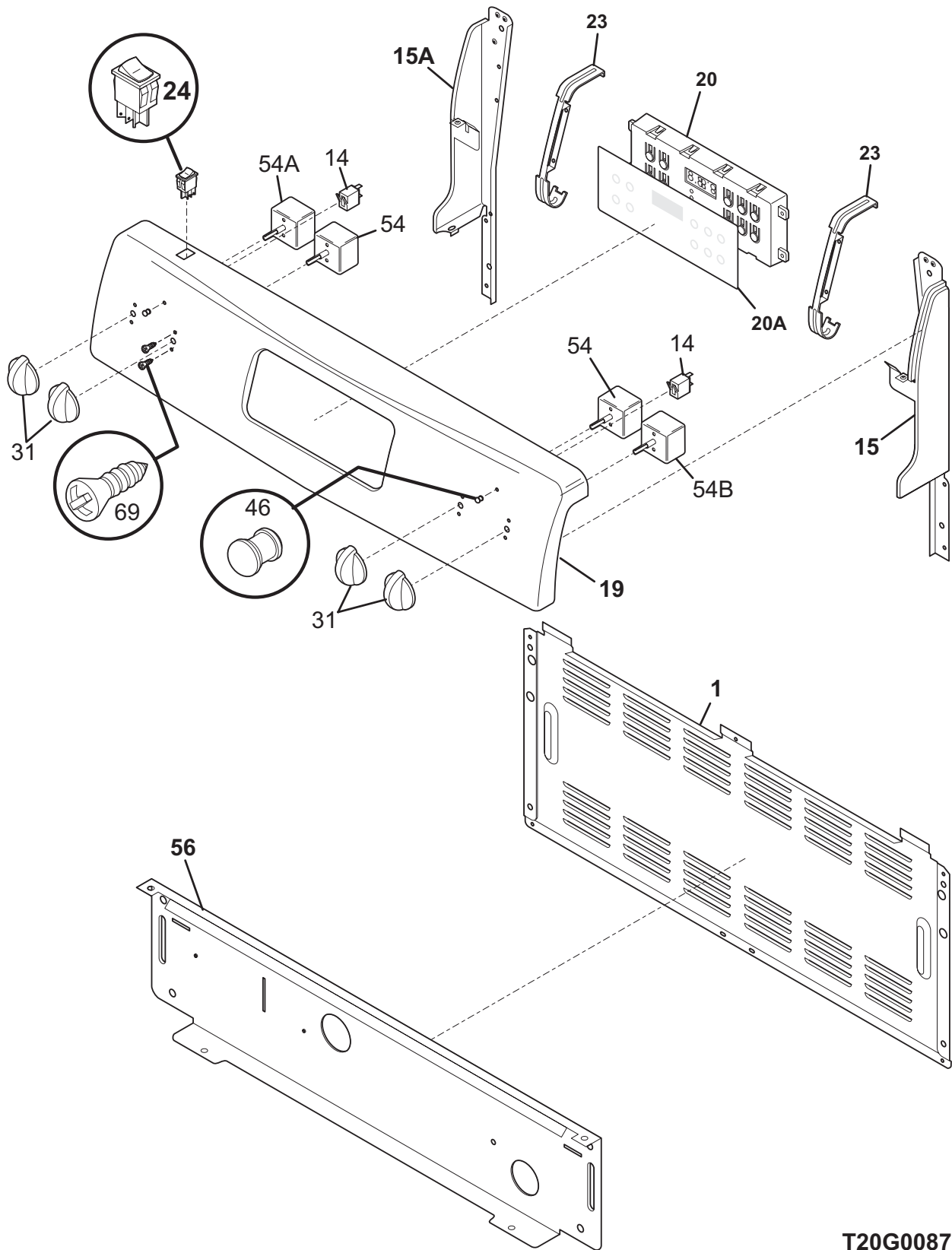
Publication No.  
**5995540282**  
 09/05/14  
 (EN/SERVICE/KHB)  
 369

**30-INCH FREE-  
 STANDING ELECTRIC  
 RANGE**

**Model No.  
 FEF368G**

Copyright © 2009 Electrolux Home Products, Inc.  
 All rights reserved.

**BACKGUARD**



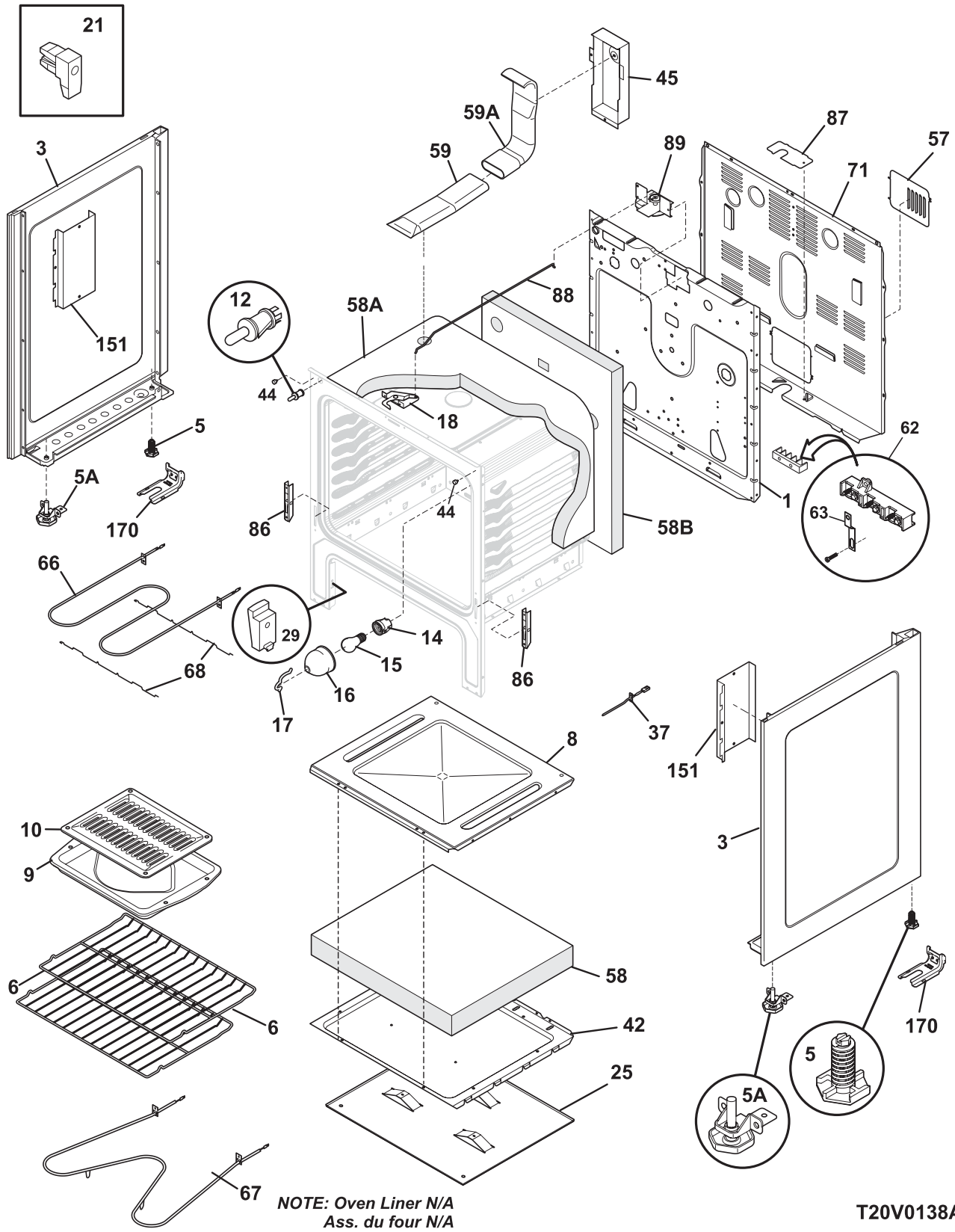
**T20G0087**

**BACKGUARD**

*Model Index:* A FEF368G (FEF368GBC)  
 B FEF368G (FEF368GQC)  
 C FEF368G (FEF368GSC)

POS. NO	PART NO.		DESCRIPTION
1	316416100	A B C	Shield, backguard, rear wall
14	316022500	A B C	Light/Lamp, indicator, 125 V
15	316411405	A - -	Support, backguard, black, RH
15	316411407	- B -	Support, backguard, bisque, RH
15	316411403	- - C	Support, backguard, white, RH
15A	316411404	A - -	Support, backguard, black, LH
15A	316411406	- B -	Support, backguard, bisque, LH
15A	316411402	- - C	Support, backguard, white, LH
19	316445276	A - -	Panel-backguard, black
19	316445275	- B -	Panel-backguard, bisque
19	316445280	- - C	Panel-backguard, white
20 #	316418200	A B C	Clock/Timer, electronic, ES300
20A	316419103	A - -	Overlay, clock, black, ES300
20A	316419105	- B -	Overlay, clock, bisque, ES300
20A	316419104	- - C	Overlay, clock, white, ES300
23	316441600	A B C	Bracket-clock mtg, black
24 #	316448700	A - -	Switch, rocker, black, oven light
24 #	316448702	- B -	Switch, rocker, bisque, oven light
24 #	316448701	- - C	Switch, rocker, white, oven light
31	316223002	A - -	Knob, control, black
31	316223003	- B -	Knob, control, bisque
31	316223030	- - C	Knob, control, white
46	316557300	A B C	Lens-light/lamp, indicator, clear
54 #	316436000	A B C	Switch, infinite, small element
54A#	316436001	A B C	Switch, infinite, large element
54B#	316238200	A B C	Switch, infinite radian, dual
56	316234013	A - -	Shield, backguard, black, inner
56	316234014	- B -	Shield, backguard, bisque, inner
56	316234012	- - C	Shield, backguard, white, inner
69	5303288565	A B C	Screw, truss sqdr, 8-32 x 3/16, switch mtg
*	316021105	A B C	Screw, hex head cup pt, 8-18 x 0.375, black
*	316021109	A B C	Screw, 8-18 x 0.5, chrome
*	316021110	A B C	Screw, 8-18 x 0.5, black

**BODY**



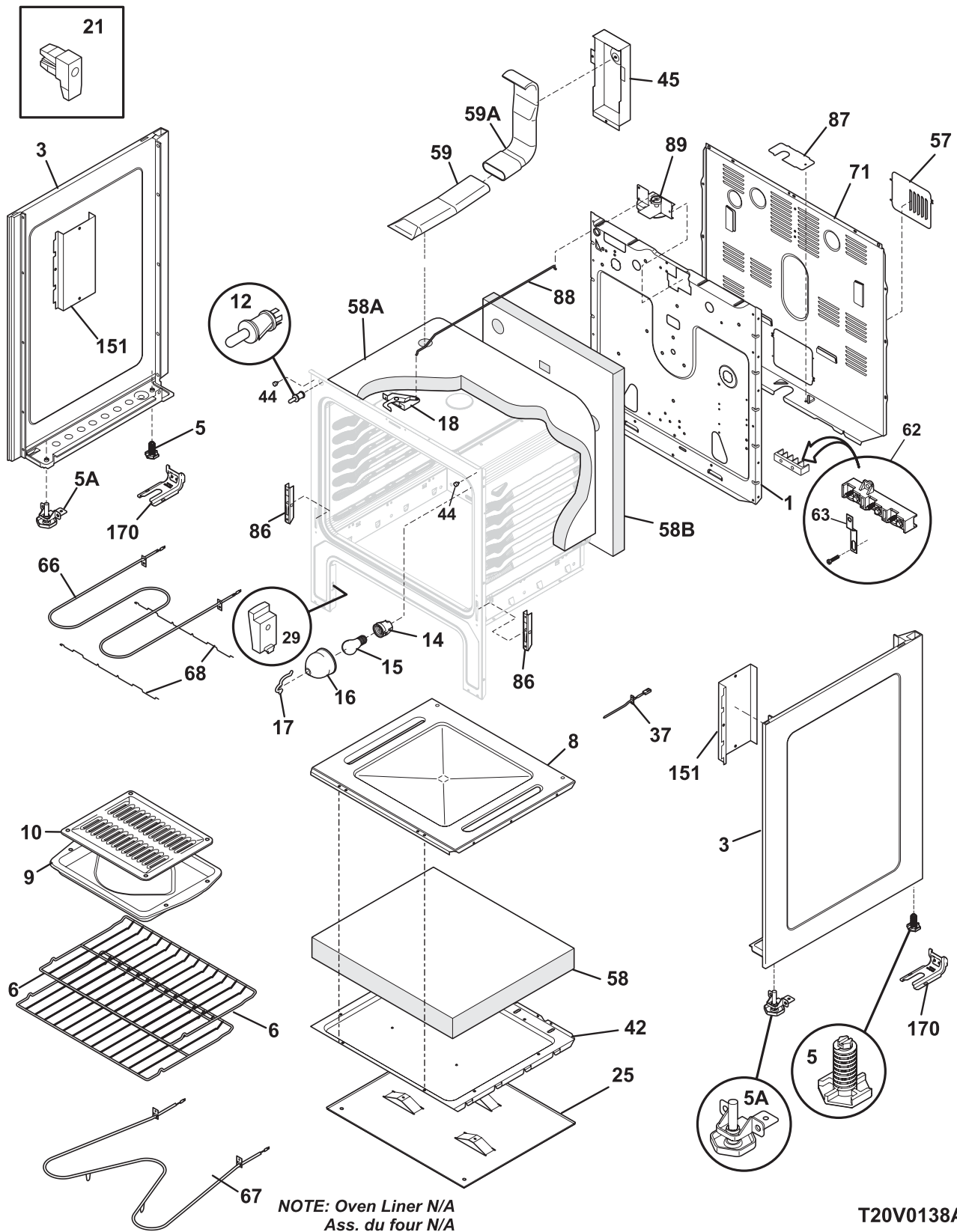
T20V0138A

**BODY**

*Model Index:* A FEF368G (FEF368GBC)  
 B FEF368G (FEF368GQC)  
 C FEF368G (FEF368GSC)

POS. NO	PART NO.		DESCRIPTION
1	316401801	A B C	Panel, main back
3	316400118	A - -	Panel, bodyside, black, RH
3	316400119	A - -	Panel, bodyside, black, LH
3	316400120	- B -	Panel, bodyside, bisque, RH
3	316400121	- B -	Panel, bodyside, bisque, LH
3	316400116	- - C	Panel, bodyside, white, RH
3	316400117	- - C	Panel, bodyside, white, LH
5	316272900	A B C	Screw, leveling, plastic, rear, (2)
5A	316498900	A B C	Leveling Leg Assy, metal, front, (2), bracket & leg
6	316496202	A B C	Rack, oven, (2)
8	316400601	A B C	Panel, oven bottom
9	316081900	A B C	Pan, broiler
10	316082000	A B C	Insert, broiler pan
12	316445501	A B C	Switch, oven light, door frame
14	316116400	A B C	Receptacle, oven light
15	316538901	A B C	Lamp, oven light
16	318406100	A B C	Lens, oven light, glass
17	316087500	A B C	Retainer, lens
18 #	316405800	A B C	Latch Assembly, oven door
21	316408000	A B C	Clip, bodyside
25	316406200	A B C	Shield, heat, lower
29	316407301	A B C	Glide, drawer, front
37 #	316490000	A B C	Probe, oven temp
42	316407700	A B C	Shield, wool, lower
44	316517600	A B C	Spacer, oven door
45	316234100	A B C	Shield, wire, vent tube
57	316457801	A B C	Cover, access
58	316403800	A B C	Insulation, oven bottom
58A	316406602	A B C	Insulation, oven wrapper
58B	316406500	A B C	Insulation, oven back
59	316208401	A B C	Vent Tube, assembly, w/catalyst
59A	316208304	A B C	Tube, oven vent, upper
62 #	5303935271	A B C	Terminal Block Kit
62*	316001003	A B C	Screw, ground wire
62*	316205500	A B C	Nut, hex flange, 3/8 10-32
62*	316542200	A B C	Insulator
63	316542600	A B C	Plate, grounding strap
66 #	316203200	A B C	Element, broil
67	316075104	A B C	Element, bake
68	316404000	A B C	Support, element, broil
71	316422304	A B C	Shield, rear wall
86	316441300	A B C	Receptacle, hinge
86*	316418901	A B C	Screw, trilobe, 10-32 x 5/16", (4)
87	316081200	A B C	Bracket, cable mtg
88	316203500	A B C	Rod, auto latch
89 #	316464300	A B C	Motor-latch
151	316404600	A B C	Shield, bodyside
170	316112004	A B C	Anti Tip Kit, assembly

**BODY**



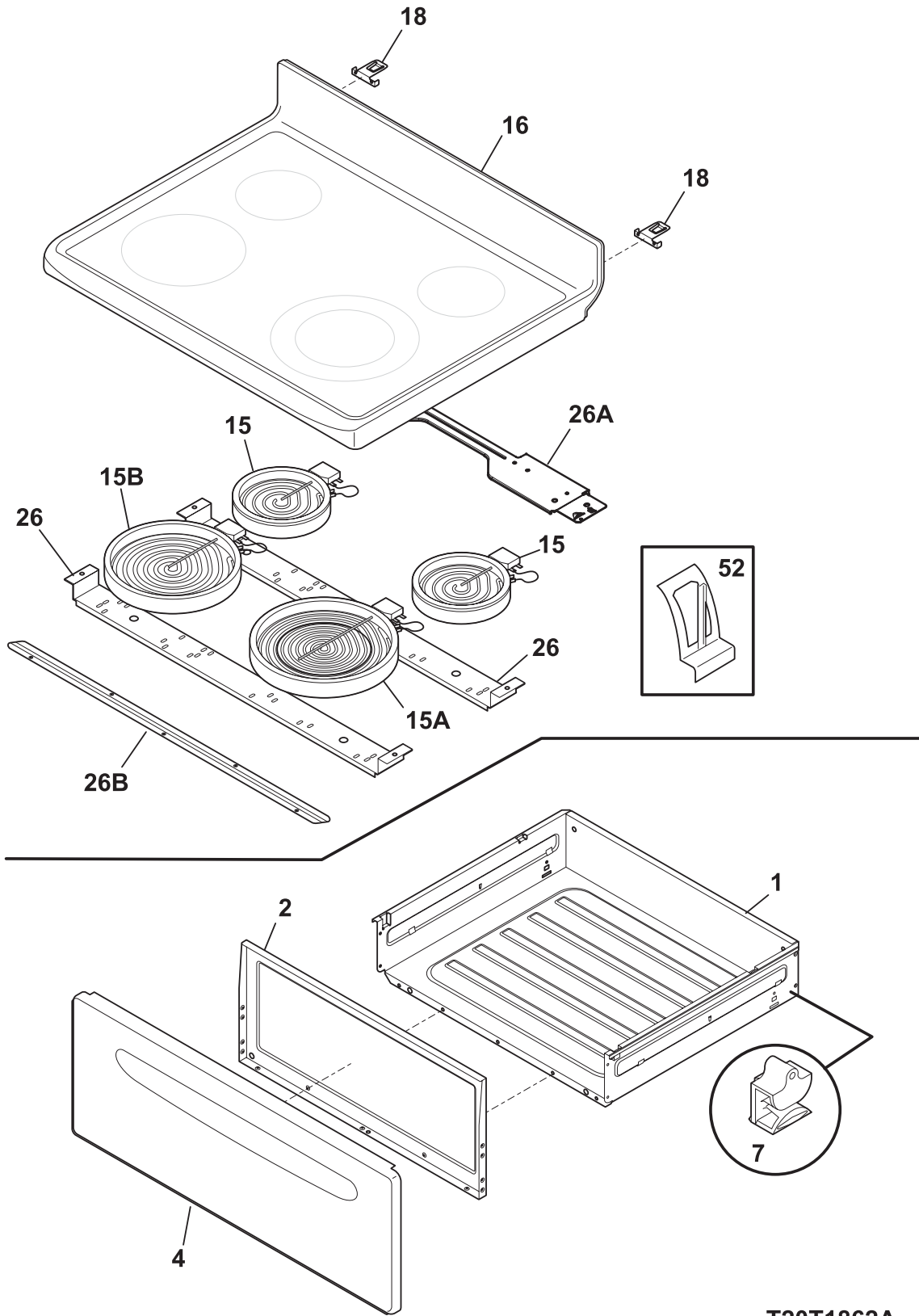
T20V0138A

**BODY**

*Model Index:* A FEF368G (FEF368GBC)  
 B FEF368G (FEF368GQC)  
 C FEF368G (FEF368GSC)

POS. NO	PART NO.		DESCRIPTION
170*	316107200	A B C	Bracket, anti-tip
170*	316116000	A B C	Screw, concrete, 1.75", anti-tip brkt
170*	316541700	A B C	Template, anti-tip
* #	316443042	A B C	Wiring Harness, main
*	3203550	A B C	Plug, button, oven bottom
*	316021105	A B C	Screw, hex head cup pt, 8-18 x 0.375, black
*	316021110	A B C	Screw, 8-18 x 0.5, black
*	316089500	A B C	Screw, 10-16 x .486
*	5303285179	A B C	Screw, wafer head, 8-32T x 0.500, black
*	5308014215	A B C	Screw, 6-20 x 0.312

TOP/DRAWER



T20T1862A

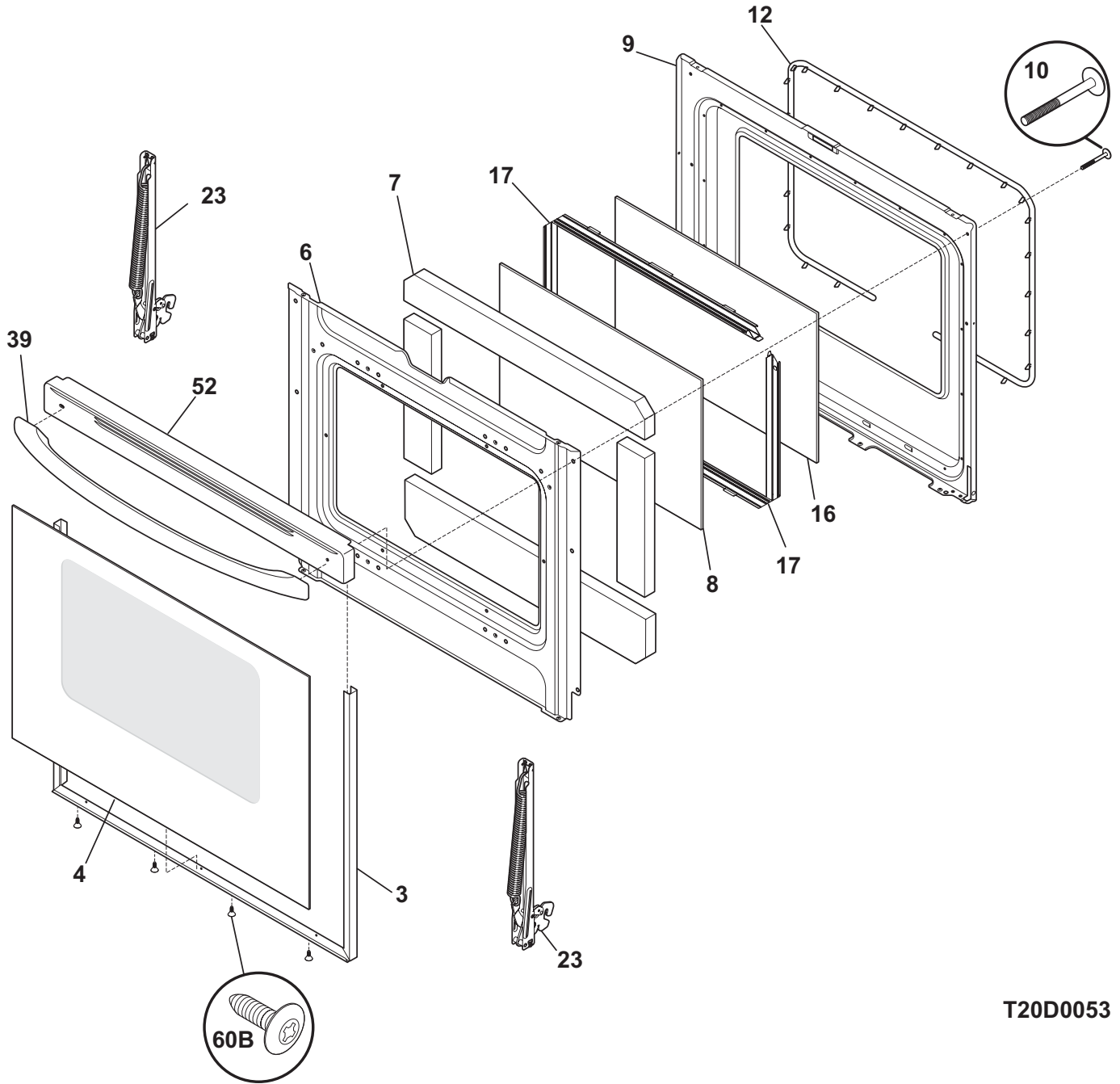


**TOP/DRAWER**

*Model Index:* A FEF368G (FEF368GBC)  
 B FEF368G (FEF368GQC)  
 C FEF368G (FEF368GSC)

POS. NO	PART NO.		DESCRIPTION
1	316408703	A B C	Drawer, utility
2	316403300	A B C	Liner, drawer
4	316403502	A - -	Panel, drawer front, black
4	316403503	- B -	Panel, drawer front, bisque
4	316403501	- - C	Panel, drawer front, white
7	316407400	A B C	Glide, drawer, rear
15 #	318198846	A B C	Element, surface, small/6", 1200 W
15A#	316418401	A B C	Element, dual, 9/6", surface, 1300W/1200W, 240, radiant
15B#	316224201	A B C	Element, surface, 9", 2500W, radiant
16	316531902	A - -	Maintop, steel/glass, black
16	316531901	- B -	Maintop, steel/glass, bisque
16	316531900	- - C	Maintop, steel/glass, white
18	316436600	A B C	Hinge Bracket, maintop, (2)
26	316427600	A B C	Channel, element support, (2)
26A	316498200	A B C	Bracket-support, chassis, aluminum
26B	316214202	A B C	Bracket, chassis support, front
52	316461700	A B C	Clip, element mtg
* #	316510676	A B C	Harness, wiring, surface
*	316468100	A B C	Cleaner, smoothtop, w/sponge
*	316021105	A B C	Screw, hex head cup pt, 8-18 x 0.375, black
*	316021109	A B C	Screw, 8-18 x 0.5, chrome
*	316021110	A B C	Screw, 8-18 x 0.5, black
*	5308014215	A B C	Screw, 6-20 x 0.312

**DOOR**



**T20D0053**

---

**DOOR**


---

*Model Index:*   A FEF368G (FEF368GBC)  
                       B FEF368G (FEF368GQC)  
                       C FEF368G (FEF368GSC)

POS. NO	PART NO.		DESCRIPTION
3	5303935317	A - -	Trim kit-door, 3 sided, black, w/tape
3	5303935319	- B -	Trim kit-door, 3 sided, bisque, w/tape
3	5303935318	- - C	Trim kit-door, 3 sided, white, w/tape
4	316406401	A - -	Glass, oven door, black, outer
4	316406402	- B -	Glass, oven door, bisque, outer
4	316406400	- - C	Glass, oven door, white, outer
6	316406310	A B C	Shield, wool
7	316405600	A B C	Insulation, oven door
8	316117500	A B C	Glass, oven door, heat barrier
9	316423701	A B C	Liner, oven door
10	316433300	A B C	Screw, 10-14 x 2.125", handle mtg.
12	316405000	A B C	Seal, oven door
16	316117501	A B C	Glass, oven door, inner
17	316402403	A B C	Spacer, door glass, (2)
23	316456303	A B C	Hinge, oven door, blue titan, (2)
23*	316418900	A B C	Screw, sims lp, #8-32 x 5/16", black
39	316270200	A - -	Handle, door, black
39	316270202	- B -	Handle, door, bisque
39	316270201	- - C	Handle, door, white
52	316468401	A - -	Cap, door trim, black
52	316468402	- B -	Cap, door trim, bisque
52	316468400	- - C	Cap, door trim, white
60B	316021110	A B C	Screw, 8-18 x 0.5, black
*	316433603	A B C	Label, anti-tip
*	316021109	A B C	Screw, 8-18 x 0.5, chrome
*	5303285179	A B C	Screw, wafer head, 8-32T x 0.500, black