

Frigidaire

Factory Parts Catalog

Product No.	GLEB30S9FBE	GLEB30S9FSD
	38256361G6065	38256361G6014
Series	30" single	30" single
Color	black	white
Market	North America	North America
Wiring Diagram	318046251	318046251
Owner's Guide	318205115	318205115
Installation Instructions	318201514	318201514
Service Data Sheet	318047426	318047426
Timer Guide	318204125	318204125



Electrolux Major Appliances
 North & Latin America
 P.O. BOX 212378
 AUGUSTA, GA 30917

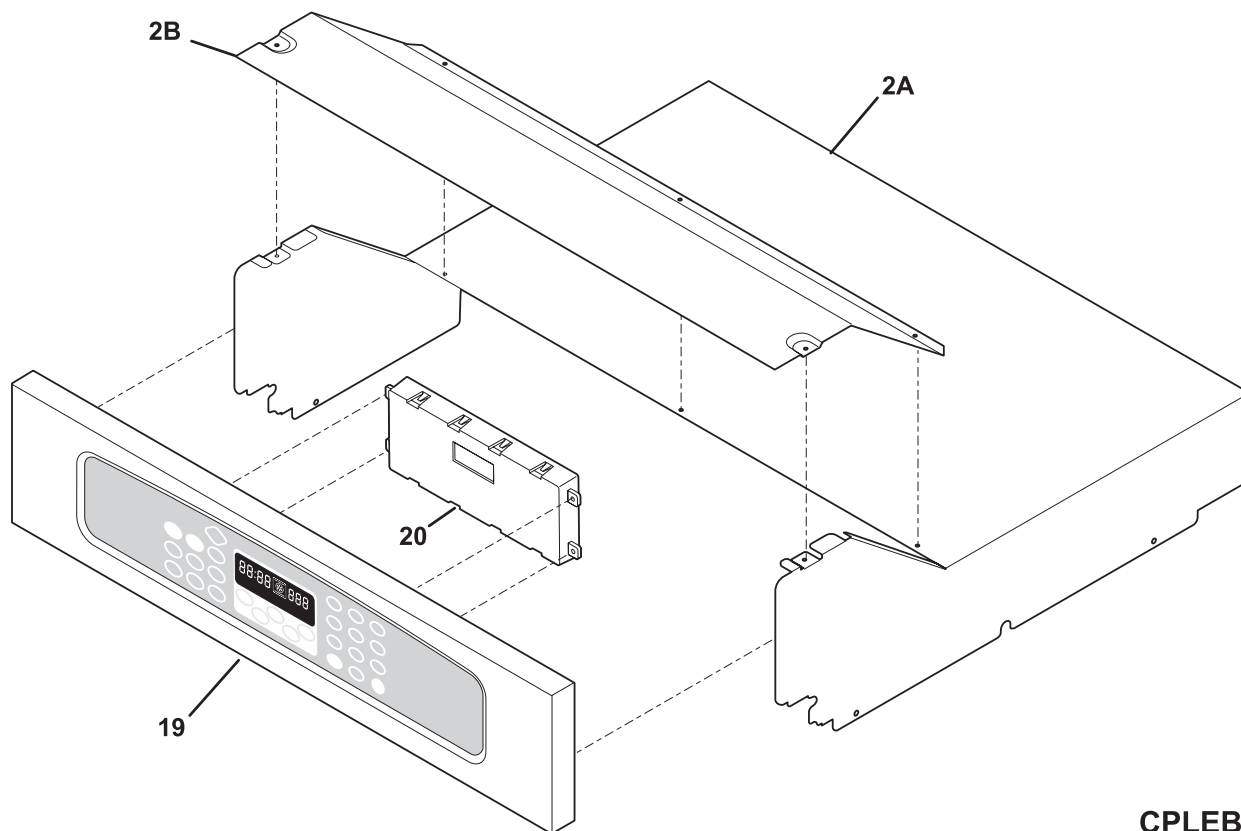
Publication No.
5995535191
 09/03/12
 (EN/SERVICE/ECL)
 377

**30" SINGLE ELECTRIC
 WALL OVEN**

Model No.
GLEB30S9F

Copyright © 2009 Electrolux Home Products, Inc.
 All rights reserved.

CONTROL PANEL



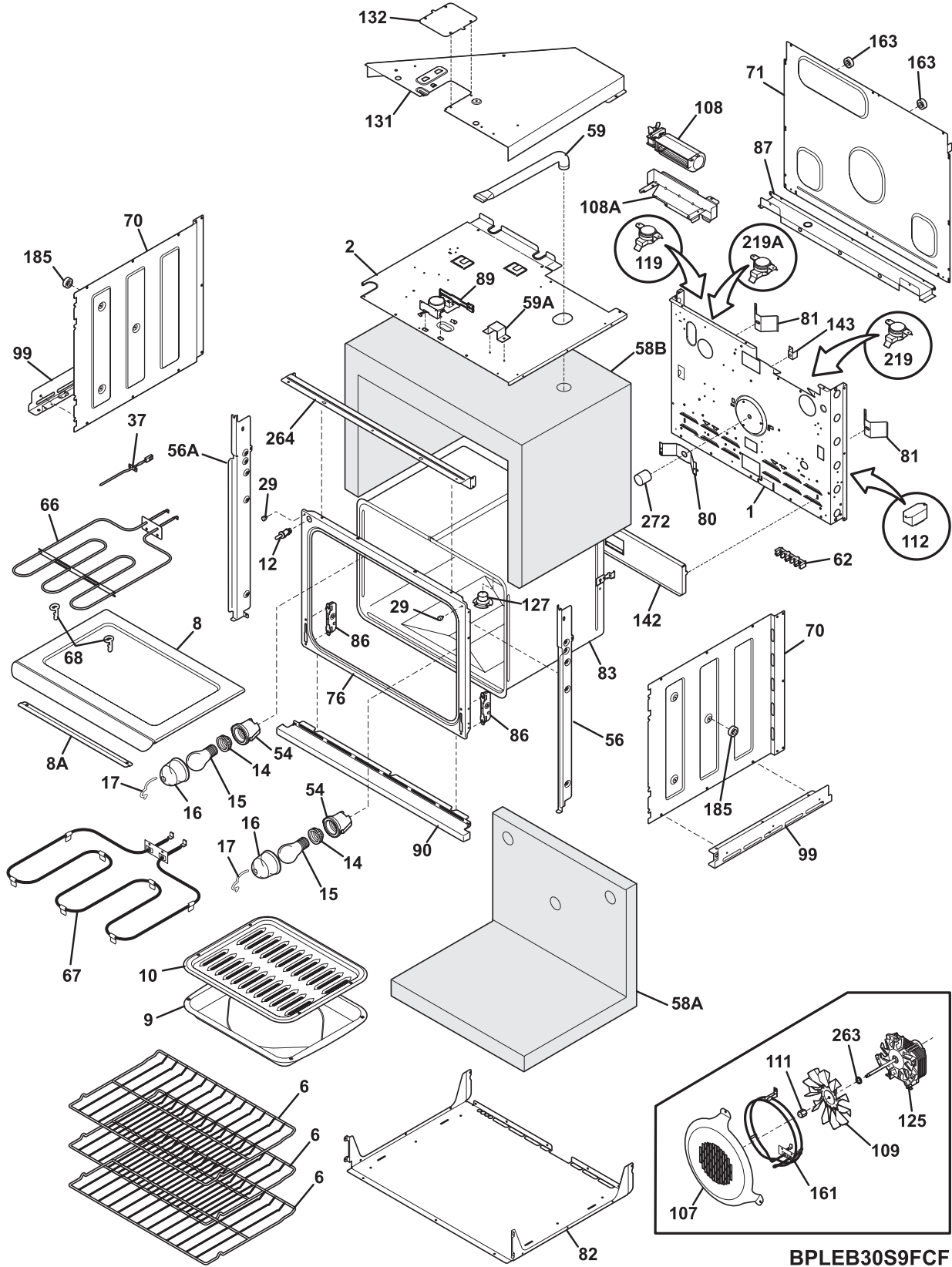
CPLEB27S9DCA

CONTROL PANEL

Model Index: A GLEB30S9F (GLEB30S9FSD)
 B GLEB30S9F (GLEB30S9FBE)

POS. NO	PART NO.		DESCRIPTION
2A	318257300	A B	Shield, oven top
2B	318260100	A B	Cover, box
19	318274657	A -	Control Panel Assembly, glass, white, w/touch pad
19	318274659	- B	Control Panel Assembly, glass, black, w/touch pad
20 #	316462839	A B	Controller, electronic, ES510X
*	5303211311	A B	Screw, 8 x 0.500
*	5303311306	A B	Screw, 8-18 x 0.375, (6)

BODY



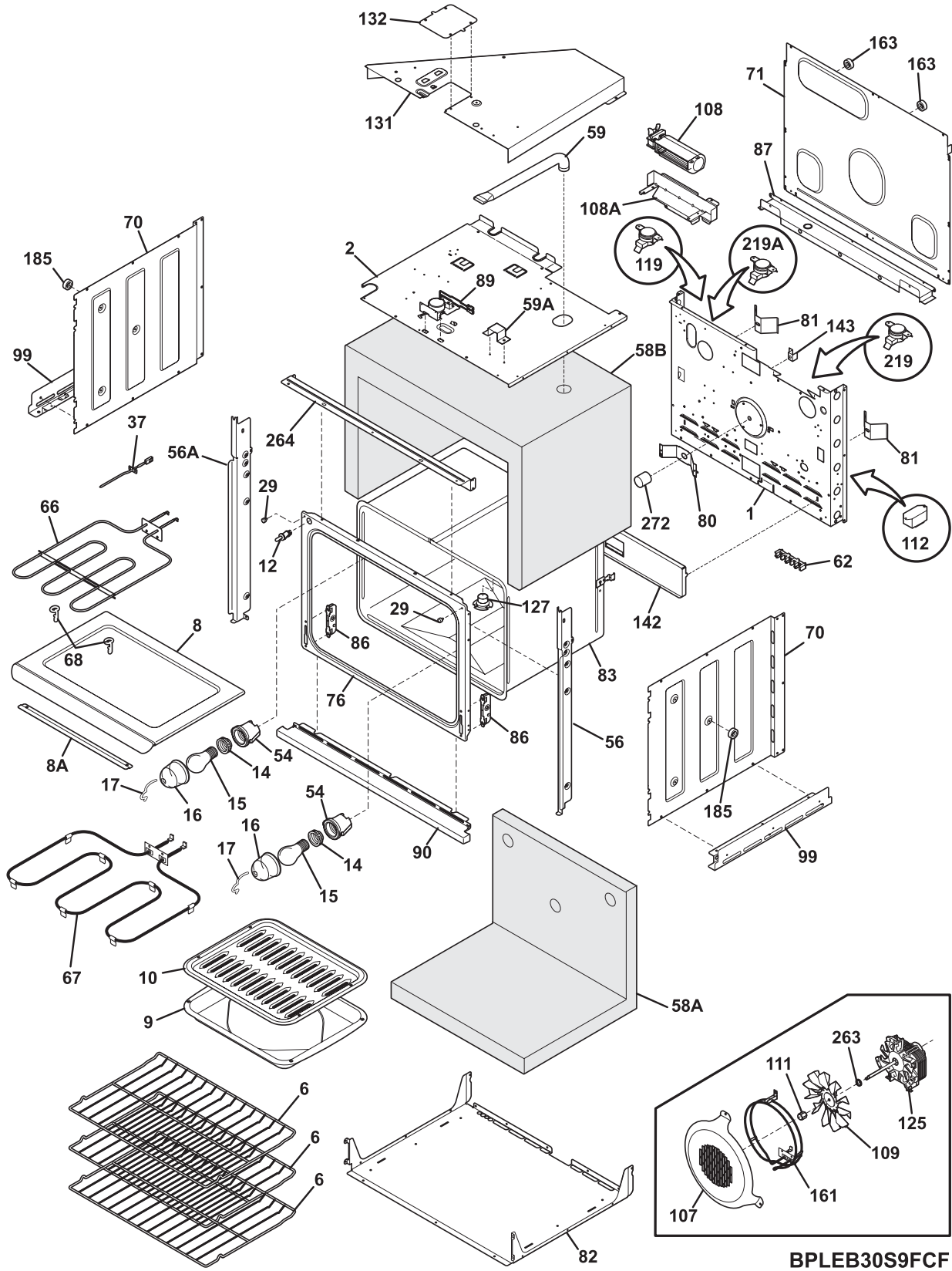
BPLEB30S9FCF

BODY

Model Index: A GLEB30S9F (GLEB30S9FSD)
 B GLEB30S9F (GLEB30S9FBE)

POS. NO	PART NO.		DESCRIPTION
1	318259220	A B	Back, main
2	318258902	A B	Shield, insulation, upper
6	318345214	A B	Rack, oven, (3)
8	318262001	A B	Cover, element
8A	318318600	A B	Bracket, element, hidden bake
9	5303317977	A B	Pan, broilerOPTIONAL ACCESSORY
10	5303317976	A B	Insert, broiler panOPTIONAL ACCESSORY
12	316445501	A B	Switch, oven light, door frame
* #	318231869	A B	Harness, wiring, door switch
14	318224000	A B	Receptacle, oven light
14*	318268099	A B	Insulation, oven light
15	5303013071	A B	Bulb/Lamp, light
16	08011086	A B	Lens, oven light, glass
17	5304400195	A B	Retainer, light cover
29	316517600	A B	Spacer, oven door
37 #	316217002	A B	Probe, oven temp
54	318222400	A B	Housing, oven light
56	318903702	A -	Trim, side, white, RH
56	318903704	- B	Trim, side, black, RH
56A	318903703	A -	Trim, side, white, LH
56A	318903705	- B	Trim, side, black, LH
58A	318386100	A B	Insulation, oven wrapper
58B	318133791	A B	Insulation, oven back, back/bottom
59	318072560	A B	Duct, oven vent
59A	318261600	A B	Bracket, vent tube
62	316056000	A B	Terminal Block
62*	5303323144	A B	Nut, 10-32
66 #	318255600	A B	Element, broil, 2750W
67 #	318254906	A B	Element, bake, 3400W, 8 pass
68	5304403015	A B	Support, hanger, (4), broil element
70	318259100	A B	Shield, insulation, sides, (2)
71	318260007	A B	Panel, rear box
76	318056292	A B	Front, oven
80	5303320846	A B	Plate, oven mtg
81	318192400	A B	Spring, oven
82	318258707	A B	Shield, insulation, lower
83	318261400	A B	Liner, oven assy
86	318561100	A B	Receptacle, hinge, (2)
87	318260600	A B	Bracket, cable mtg.
89 #	318261215	A B	Motor, latch assy
* #	318370303	A B	Wiring Harness, latch
90	318259700	A -	Trim, oven front, white, bottom
90	318259701	- B	Trim, oven front, black, bottom
99	318256201	A B	Bracket, side, bottom, (2)
107	318219405	A B	Cover, fan
108#	318073028	A B	Motor, blower
*	08016432	A B	Screw, truss head, 8-18 x 0.375
108A	318251300	A B	Bracket, fan support
109	318398300	A B	Fan Blade

BODY



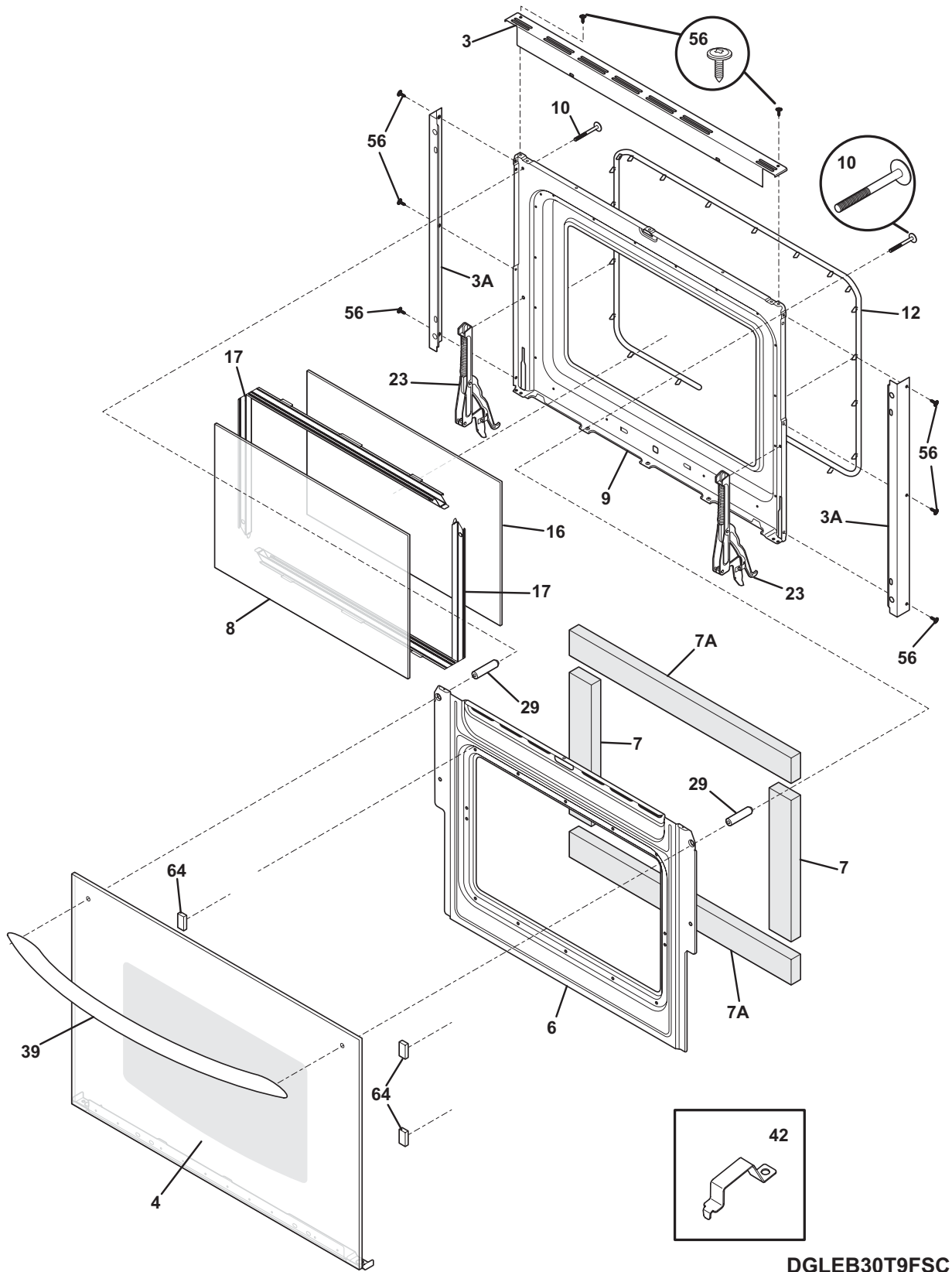
BPLEB30S9FCF

BODY

Model Index: A GLEB30S9F (GLEB30S9FSD)
 B GLEB30S9F (GLEB30S9FBE)

POS. NO	PART NO.		DESCRIPTION
111	318399800	A B	Nut, fan retainer
119#	318004900	A B	Switch, thermal
125#	318398200	A B	Motor, fan
125*	5303316994	A B	Insulation, 3.81 x 3.13
127	318317100	A B	Adapter Assembly, vent tube, w/converter
131	318272901	A B	Box, vent
132	318003000	A B	Plate, shield
142	318123910	A B	Deflector
*	5303324184	A B	Screw, 8-18 x 5/16, black, (4)
143	318172904	A B	Support, wire
161#	318255503	A B	Element, convection, 350 W
163	318531703	A B	Spacer, (4)
185	318531800	A B	Spacer, oven shield, (2)
263	318142100	A B	Washer, motor, convection
264	318257701	A B	Trim, oven, black, front
272	318249403	A B	Tube, protector
* #	318394441	A B	Box & wires assy
* #	318370335	A B	Wiring Harness, main
*	5303211311	A B	Screw, 8 x 0.500
*	5303323136	A B	Screw ground
*	5303323139	A B	Screw, 10-24 x 0.906
*	5303323277	A B	Screw, 8-18 X 13/32
*	5304436875	A B	Screw, 8-18 X 1/2, black

DOOR



DGLEB30T9FSC

DOOR

Model Index: A GLEB30S9F (GLEB30S9FSD)
 B GLEB30S9F (GLEB30S9FBE)

POS. NO	PART NO.		DESCRIPTION
3	318260201	A B	Trim, oven door, black, upper
3A	318260401	A B	Trim, oven door, side, (2)
4	318261301	A -	Glass Assy., oven door, white, outer, w/trim
4	318261300	- B	Glass Assy., oven door, black, outer, w/trim
6	318260522	A B	Baffle, door
7	318372000	A B	Insulation, door, (2)
7A	318372002	A B	Insulation, door, (2)
8	316117500	A B	Glass, oven door, heat barrier
9	318360111	A B	Liner, oven door
10	5304459529	A B	Screw, handle mtg., #10-24 x 1 7/8, (2)
12	318053121	A B	Seal, oven door
16	318212210	A B	Glass, oven door, heat barrier, lower door
17	318264710	A B	Spacer, glass, lower, (2)
23	318567101	A B	Hinge, oven door, (2)
29	318014405	A B	Spacer, door
39	318372410	A -	Handle, door, white, w/spacer
39	318372412	- B	Handle, door, black, w/spacer
42	318382301	A B	Bracket, glass retainer, (4)
56	5304436875	A B	Screw, 8-18 X 1/2, black
64	318165800	A B	Spacer
*	08016432	A B	Screw, truss head, 8-18 x 0.375
*	5303211311	A B	Screw, 8 x 0.500
*	5303323277	A B	Screw, 8-18 X 13/32

WIRING DIAGRAM

