

KitchenAid® 30" (76.2 cm) and 36" (91.4 cm) Canopy Range Hood

PRODUCT MODEL NUMBERS

KWCU505W KWCU565W

Electrical: 120 volt, 60 Hz, AC only, 15-amp. electrical supply.

VENTING REQUIREMENTS

This canopy range hood is factory set for venting through the roof or through the wall.

A 6" (15.2 cm) round vent system is needed for installation (not included). The hood exhaust opening is 6" (15.2 cm) round.

NOTE: Flexible vent is not recommended. Flexible vent creates back pressure and air turbulence that greatly reduce performance.

Vent system can terminate either through the roof or wall. To vent through a wall, a 90° elbow is needed.

Rear discharge

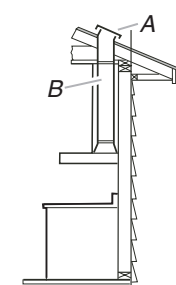
A 90° elbow may be installed immediately above the hood.

For non-vented (recirculating) installations

If it is not possible to vent cooking fumes and vapors to the outside, the hood can be used in the non-vented (recirculating) version, fitting an activated carbon filter and the diverter. Fumes and vapors are recycled through the top grille.

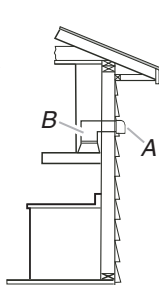
NOTE: Non-vented (recirculating) installation is not allowed over cooktops with BTU ratings of 60,000 or higher.

Roof Venting



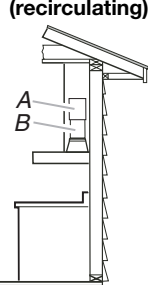
A. Roof cap
B. 6" (15.2 cm) round vent

Wall Venting



A. Wall cap
B. 6" (15.2 cm) round vent

Non-vented (recirculating)



A. Diverter
B. 6" (15.2 cm) round vent extension

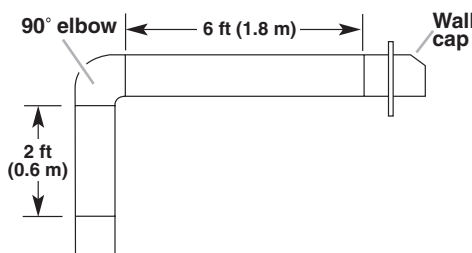
Calculating Vent System Length

To calculate the length of the system you need, add the equivalent feet (meters) for each vent piece used in the system.

Vent Piece	6" (15.2 cm) Round
45° elbow	2.5 ft (0.8 m)
90° elbow	5.0 ft (1.5 m)

Maximum equivalent vent length is 35 ft (10.7 m).

Example vent system



The following example falls within the maximum recommended vent length of 35 ft (10.7 m).

1 - 90° elbow	= 5.0 ft (1.5 m)
1 - wall cap	= 0.0 ft (0.0 m)
8 ft (2.4 m) straight	= 8.0 ft (2.4 m)
Length of system	= 13.0 ft (3.9 m)

LOCATION REQUIREMENTS

IMPORTANT: Observe all governing codes and ordinances.

Have a qualified technician install the range hood. It is the installer's responsibility to comply with installation clearances specified on the model/serial rating plate. The model/serial rating plate is located inside the range hood on the rear wall of the range hood.

Canopy range hood location should be away from strong draft areas, such as windows, doors and strong heating vents.

Cabinet opening dimensions that are shown must be used. Given dimensions provide minimum clearance.

Grounded electrical outlet is required. See "Electrical Requirements" section.

The canopy range hood is factory set for venting through the roof or through the wall. For non-vented (recirculating) Installation see "Non-vented (recirculating) Installations" in "Prepare Location" section. Recirculation Kit Part Number W10271501 is available from your dealer or an authorized parts distributor.

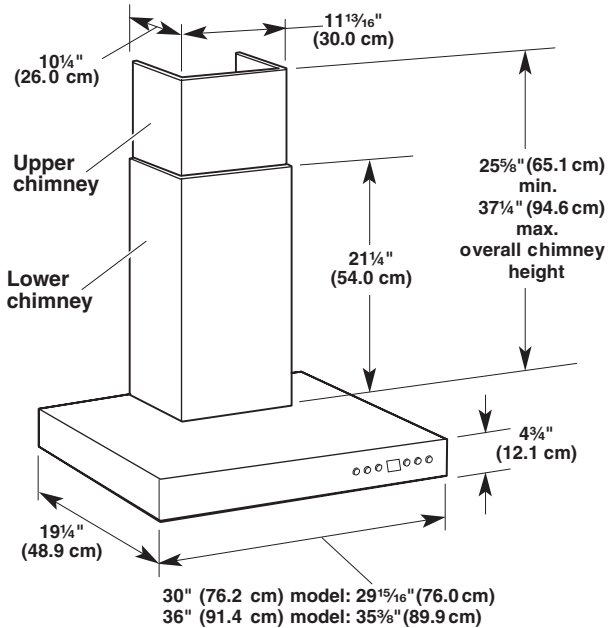
All openings in ceiling and wall where canopy range hood will be installed must be sealed.

For Mobile Home Installations

The installation of this range hood must conform to the Manufactured Home Construction Safety Standards, Title 24 CFR, Part 328 (formerly the Federal Standard for Mobile Home Construction and Safety, Title 24, HUD, Part 280) or when such standard is not applicable, the standard for Manufactured Home Installation 1982 (Manufactured Home Sites, Communities and Setups) ANSI A225.1/NFPA 501A*, or latest edition, or with local codes.

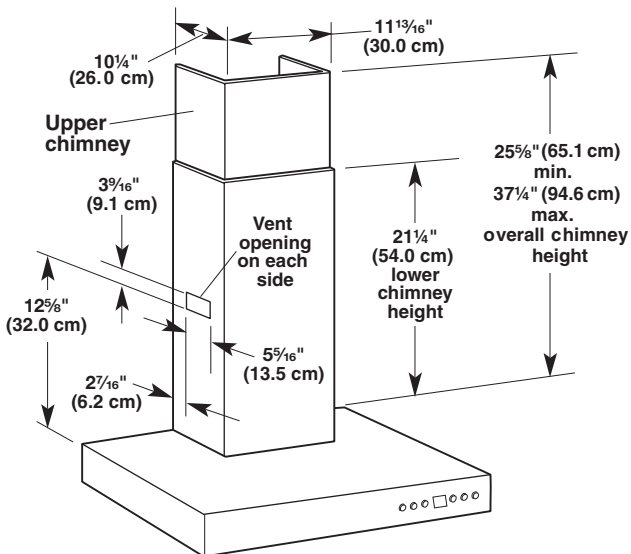
PRODUCT DIMENSIONS

Vented Installations

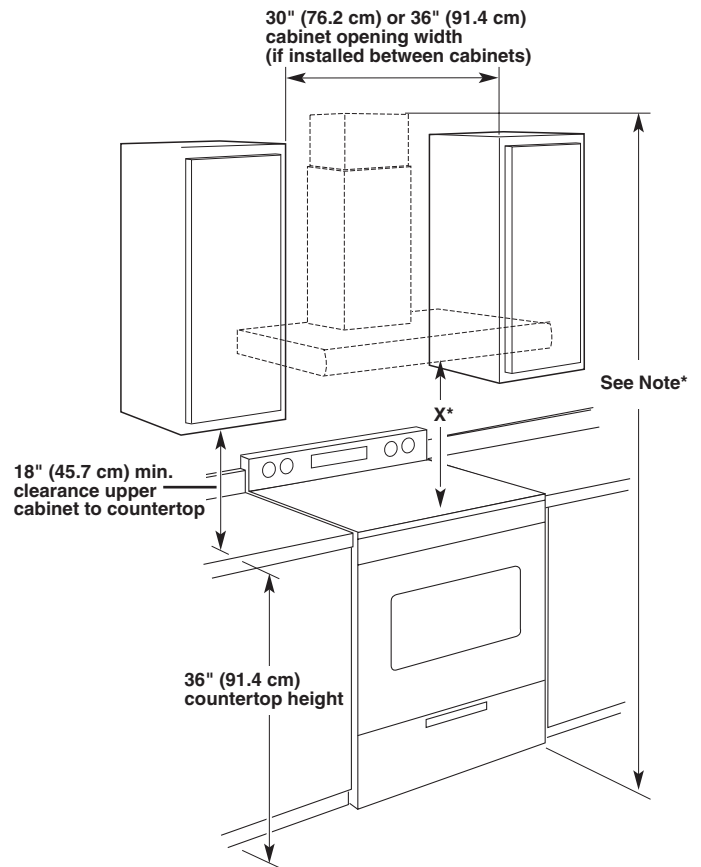


Non-vented (recirculating) Installations

For non-vented (recirculating) installations, optional Recirculation Kit Part Number W10271501, must be used. This kit includes a new lower chimney cover that replaces the lower chimney cover shipped with the range hood, a diverter with extensions, 2 grids for inserting into the lower chimney, and a charcoal filter.



INSTALLATION DIMENSIONS



***NOTE:** The range hood chimneys are adjustable and designed to meet varying ceiling or soffit heights depending on the distance "X" between the bottom of the range hood and the cooking surface. For higher ceilings, a Stainless Steel Chimney Extension Kit Part Number W10271503 is available from your dealer or an authorized parts distributor. The chimney extension replaces the upper chimney shipped with the range hood.

IMPORTANT:

Minimum distance "X": 30" (76.2 cm)

Suggested maximum distance "X": 36" (91.4 cm)

Chimneys can be adjusted for ceilings between 8' 3/8" (2.55 m) and 9' 6" (2.90 m) in both vented and non-vented (recirculating) applications.

If you have shorter ceilings, the upper chimney can be shortened by removing up to 5 1/4" (13.3 cm) off the bottom for vented applications and 11 1/4" (28.6 cm) for non-vented (recirculating) applications. This will give you a minimum ceiling height of 7' 8" (2.34 m).

NOTE: If the upper chimney is cut for your application, the lower chimney bracket will not be used.