

KitchenAid® Model KPEU722M

1200 cfm (34.0 m³/m) Exterior Blower

Installation Instructions and Use and Care Guide

IMPORTANT: READ AND SAVE THESE INSTRUCTIONS.

The installer must leave these instructions with the homeowner. The homeowner must keep these instructions for future reference and for local electrical inspectors use.

Before you start...

Your safety and the safety of others are very important.

We have provided many important safety messages in this manual and on your appliance. Always read and obey all safety messages.



This is the safety alert symbol.

This symbol alerts you to potential hazards that can kill or hurt you and others.

All safety messages will follow the safety alert symbol and either the word "DANGER" or "WARNING". These words mean:

⚠ DANGER

You can be killed or seriously injured if you don't **immediately follow instructions.**

⚠ WARNING

You can be killed or seriously injured if you don't follow **instructions.**

All safety messages will tell you what the potential hazard is, tell you how to reduce the chance of injury, and tell you what can happen if the instructions are not followed.

WARNING - TO REDUCE THE RISK OF FIRE, ELECTRICAL SHOCK, OR INJURY TO PERSONS, OBSERVE THE FOLLOWING: Use this unit only in the manner intended by the manufacturer. If you have any questions, contact the manufacturer.

Before servicing or cleaning unit, switch power off at service panel and lock the service disconnecting means to prevent power from being switched on accidentally. When the service disconnecting means cannot be locked, securely fasten a prominent warning device, such as a tag, to the service panel.

CAUTION: For General Ventilating Use Only. Do Not Use To Exhaust Hazardous or Explosive Materials and Vapors.

IMPORTANT: Observe all governing codes and ordinances.

Proper installation is your responsibility. Make sure you have everything

necessary for correct installation. It is the responsibility of the installer to comply with the clearances specified.

To avoid damage to motor bearings and impellers, keep drywall spray, construction dust, etc. away from the exterior blower.

IMPORTANT

Before installing exterior mounted blower, read the Installation Instructions for the vent system that will be used in conjunction with this exterior blower.

This fan is suitable for use with solid-state speed controls.

Electrical requirements

IMPORTANT: Observe all governing codes and ordinances.

It is the customer's responsibility:

- To contact a qualified electrical installer.
- To assure that the electrical installation is adequate and in conformance with National Electrical Code, ANSI/NFPA 70 — latest edition*, or CSA Standards C22.1-94, Canadian Electrical Code, Part 1 and C22.2 No.0-M91 - latest edition** and all local codes and ordinances.

If codes permit and a separate ground wire is used, it is recommended that a qualified electrician determine that the ground path is adequate.

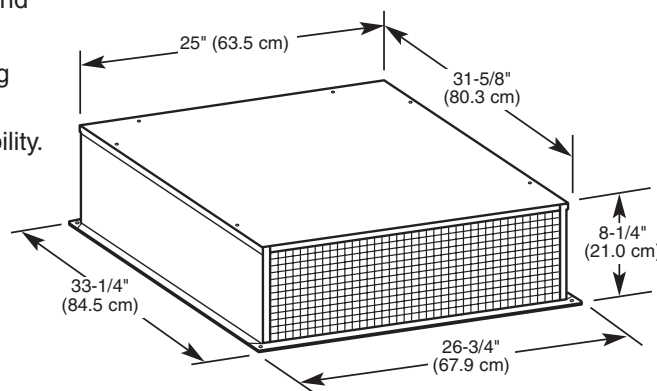
Do not ground to a gas pipe.

Check with a qualified electrician if you are not sure exterior blower is properly grounded.

Do not have a fuse in the neutral or ground circuit.

A. A 120-volt, 60-Hz, AC-only supply wired for 15 amp service is required.

B. The blower motor must be connected with copper wire only.



Copies of standards listed may be obtained from:

* National Fire Protection Association
One Batterymarch Park
Quincy, Massachusetts 02269

** CSA International
8501 East Pleasant Valley Road
Cleveland, Ohio 44131-5575

C. The blower motor must be connected to the vent system wiring as described in the vent system instructions for connecting the exterior blower motor wiring. Flexible armored or nonmetallic cable must be used. A 1/2" (12.7 cm) U.L./CSA-listed strain relief must be provided at each end of the power supply cable.

Wire sizes must conform to the requirements of the National Electrical Code ANSI/NFPA 70 — latest edition* or Canadian Electrical Code, C22.1 and C22.2 No. 113-M1984 (or latest edition),** and all local codes and ordinances. 14 gauge wire (minimum) is recommended.

WARNING — TO REDUCE THE RISK OF FIRE, ELECTRIC SHOCK, OR INJURY TO PERSONS, OBSERVE THE FOLLOWING:

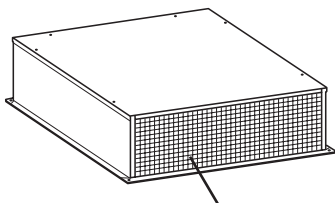
Installation work and electrical wiring must be done by qualified person(s) in accordance with all applicable Codes and Standards, including Fire Rated Construction. Sufficient air is needed for proper combustion and exhausting of gases through the flue (chimney) of fuel burning equipment to prevent back drafting. Follow the heating equipment manufacturer's guideline and safety standards such as those published by the National Fire Protection Association (NFPA), and the American Society of Heating Refrigeration and Air Conditioning Engineers (ASHRAE), and the local code authorities.

When cutting or drilling into wall or ceiling, do not damage electrical wiring and other hidden utilities.

Ducted fans must always be vented to the outdoors.

WARNING — To reduce the risk of fire, use only metal ductwork.

This unit must be grounded.



Install this side of the fan facing an unoccupied space.

Venting requirements

Determine which venting method is best for your application. Vent system can extend either through the wall or the roof.

Locate the exterior blower so that the length of the vent system and the number of elbows is kept to a minimum to provide efficient performance. Where possible, exterior blower should be centered between wall studs or roof rafters. The size of the vent system should be uniform. Do not install two elbows together. Use duct tape to seal all joints in the vent system. Use caulking to seal exterior wall or floor opening around the cap.

Flexible vent is not recommended. It creates back pressure/air turbulence and greatly reduces performance.

Make sure there is proper clearance within the wall or ceiling for exhaust vent before making cutouts. Avoid pipes, wires, or other vent systems that may be running through the wall. Do not cut a joist or stud unless absolutely necessary. If a joist or stud must be cut, then a supporting frame must be constructed.

The exterior blower carton contains a black plastic vent collar.

- The black plastic vent collar attaches to the exterior blower using four screws provided. The 10" (25.4 cm) round vent system attaches to this collar.

Make sure that there is enough space for any vent transitions that may be needed between the exterior blower and the connecting vent system.

For optimum performance, locate any necessary vent transitions nearest to the vent system that will be used with this power system.

This exterior blower requires a separate U.L./CSA approved wiring cable that should be installed at the same time the vent system is being installed.

Maximum length of vent system

Vent	Length
10" (25.4 cm) round	55 ft. (16.8 m)

Vent length is given as a general reference only. For a longer vent run, or smaller vent system, contact a qualified and trained vent installer. Check with local codes for makeup air requirements, if any.

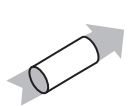


It is recommended that you use round vent instead of rectangular vent, especially if elbows are required. If rectangular vent is required, it should be transitioned to 10" (25.4 cm) round vent as soon as possible.

For best performance, use no more than three 90° elbows. If more than one elbow is used, make sure that there is a minimum of 24 inches (61 cm) of straight vent between any two elbows. Do not install two elbows together.

Determine the length of vent system you need

To calculate the length of system you need, add the equivalent feet (meters) from chart below for each vent piece that will be needed.

Recommended standard 10" (25.4 cm) fittings

		
1 ft. round = 1 ft. (0.3 m)	90° elbow = 5 ft. (1.5 m)	45° elbow = 2.5 ft. (0.8 m)

Copies of standards listed may be obtained from:

* National Fire Protection Association
One Batterymarch Park
Quincy, Massachusetts 02269

** CSA International
8501 East Pleasant Valley Road
Cleveland, Ohio 44131-5575

Now start...

⚠ WARNING

Excessive Weight Hazard

Use two or more people to move and install external blower.

Failure to do so can result in back or other injury.

1. Discard any cardboard packaging from the blower wheel.

2. Attach the black plastic vent collar to the exterior blower using the four screws provided.

3. Remove the back cover, wiring box cover and electrical wiring knockout.

4. In the knockout, attach the U.L./CSA-listed strain relief.

Note: For most installations, it is recommended that the strain relief be installed so that it can be tightened from inside the exterior blower housing.

5. Reattach the wiring box cover loosely. It will be removed again in Step 2 of "Making electrical and vent connections."

Follow the instructions for your type (wall or roof) installation.

WALL INSTALLATIONS

1. Choose a location on an outside wall where no wall studs, wires, pipes, etc. run through the opening area. A minimum distance of 24" (61 cm) from exterior blower to ground may be required depending on local code. Make sure to leave room for anticipated snowfall in your region.

2. Drill the guide hole in the center of the 11" (27.9 cm) diameter opening area.

3. Mark a 27-1/2" x 34" (69.9 x 86.4 cm) rectangle on wall as indicated in FIGURE 1.

4. Cut a rectangular hole in the siding only. Do not cut sheathing. Nail down all siding ends.

5. Mark an 11" (27.9 cm) diameter circle around Guide Hole as indicated in FIGURE 1. Mark center of the 1-1/4" (or 3.0 cm) diameter hole for electrical wiring as indicated in FIGURE 1.

6. Cut 11" (27.9 cm) diameter hole in sheathing. Drill the 1-1/4" (or 3.0 cm) diameter electrical wiring hole.

7. Run a large bead of caulk on the back side of the housing along the outer edge.

8. Center the exterior blower ring in the 11" (27.9 cm) diameter hole, making sure that the 1-1/4" (or 3.0 cm) diameter electrical wiring hole lines up with the hole in the wiring box.

9. Attach the exterior blower to wall using screws appropriate for your installation. All four holes in the back panel must be filled to prevent moisture that may get inside the exterior blower housing from leaking into the home.

10. Seal all around the mounting screw heads with caulk.

11. Go to "Making electrical and vent connections", Page 4.

ROOF INSTALLATIONS

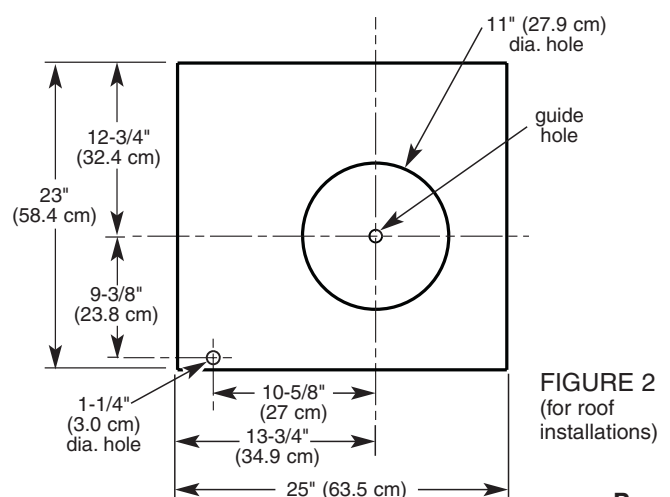
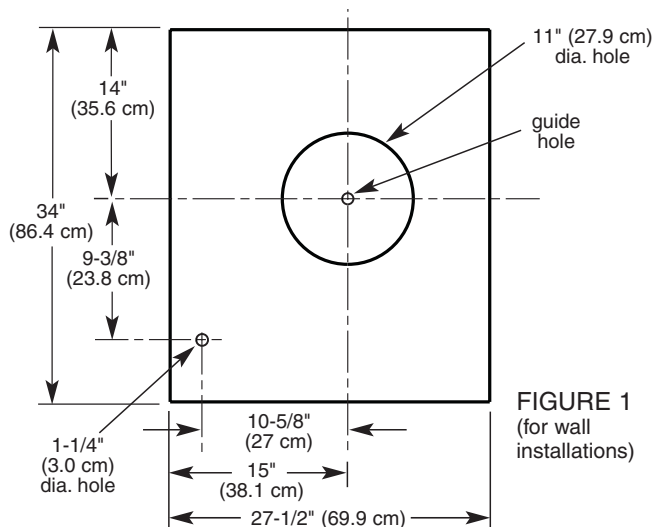
1. Choose location on rear slope of roof that minimizes vent run. Avoid obstacles such as TV leads, electric lines, etc. If exterior blower top is level with roof peak, it will not be seen from street. Remember this location as you work from inside the attic.

2. Mark a point half-way between the rafters and drill a guide hole at this point.

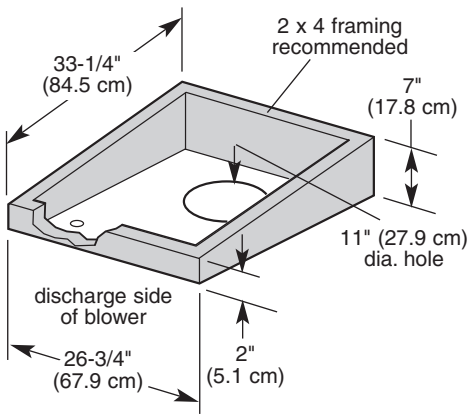
3. From the outside, using the guide hole as a starting point, mark the rectangular cut-out as indicated in FIGURE 2. Remove only the shingles in this area.

4. Mark an 11" (27.9 cm) diameter circle around guide hole as indicated in FIGURE 2. Mark center of the 1-1/4" (or 3.0 cm) diameter hole for the electrical wiring as indicated in FIGURE 2.

5. Cut out the roof boards along the 11" (27.9 cm) diameter circle. Drill the 1-1/4" (or 3.0 cm) diameter electrical wiring hole.



If you are installing external blower on a flat roof:



Locate the 11" (27.9 cm) dia. hole between rafters.

Build a sloping base that will mount the exterior blower at a minimum pitch of 2-1/2" (6.4 cm). Weatherproof the base as required.

Locate the base so that the exterior blower's vent aligns with the 11" (27.9 cm) dia. hole and the blower sits evenly on the base with no gaps.

NOTE: Make sure that the discharge end of the exterior blower faces away from the direction of prevailing winds.

Use dimensions from either FIGURE 1 or 2 (Page 3) to locate the 1-1/4" (3.0 cm) dia. wiring hole.

6. Remove roofing nails from the upper two-thirds of the shingles to allow the back flashing sheet on the exterior blower housing to fit under them.

7. Center the exterior blower collar in the 11" (27.9 cm) diameter hole, making sure that the 1-1/4" (or 3.0 cm) diameter electrical wiring hole lines up with the hole in the wiring box.

8. Attach the exterior blower to roof or frame using screws appropriate for your installation. All four holes in the back panel must be filled to prevent moisture that may get inside the remote blower housing from leaking into the home.

9. Seal all the shingles around the exterior blower housing or frame, flashing and mounting screw heads with roofing cement.

NOTE: If the top and sides of exterior blower are to be covered with trim:

- Make the electrical connections and check the blower operation first.
- Do not block vent grill opening with trim. Doing so will decrease blower performance.

10. Go to "Making electrical and vent connections", Page 4.

Making electrical and vent connections

⚠ WARNING

Electrical Shock Hazard

Disconnect power before servicing.

Connect the ground wire to green ground screw in wiring box.

Failure to do so can result in death or electrical shock.

1. Connect the vent work to the exterior blower's black plastic vent collar and seal connection securely with duct tape.

2. Remove the wiring box cover and pull the 120-volt power supply cable through the strain relief.

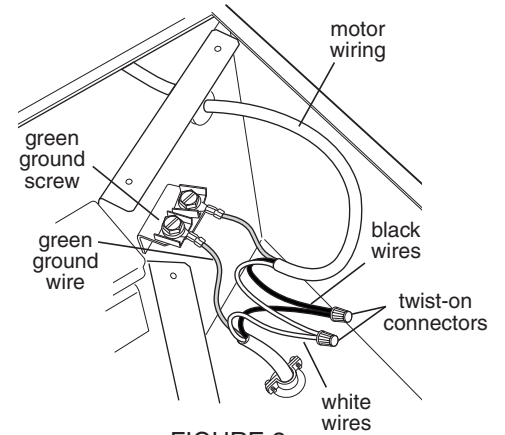


FIGURE 3

3. Make the wiring connections. (See FIGURE 3 and wiring diagram.)

- Using twist-on connectors:
- Connect white wires.
- Connect black wires.
- Connect the green power supply wire to the unused green ground screw.
- Securely tighten strain relief screws.

4. Replace the wiring box cover and securely tighten the screws. Make sure that wires are not pinched under the cover.

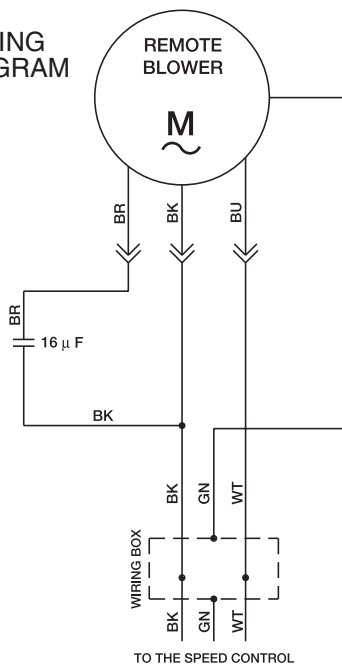
5. Reinstall blower cover and tighten screws securely.

6. Connect the vent work to the hood.

7. Follow the Installation Instructions that came with the hood installed and complete the wiring connections.

8. Turn on the power. Follow the instructions in the "Check Operation" section of the Installation Instructions that came with the hood installed and make sure blower operates properly. Check that the damper, if used, operates freely.

WIRING DIAGRAM



Care of your exterior blower

- Disconnect power supply and lock out service panel before cleaning or servicing.
- To clean, remove cover and vacuum blower and housing, being careful not to damage blower wheel.
- The motor is permanently lubricated. Do not oil or disassemble.

KITCHENAID® VENTILATION WARRANTY

ONE YEAR LIMITED WARRANTY

For one year from the date of purchase, when this major appliance is operated and maintained according to instructions attached to or furnished with the product, KitchenAid or KitchenAid Canada (hereafter "KitchenAid") will pay for factory specified parts and repair labor to correct defects in materials or workmanship. Service must be provided by a KitchenAid designated service company.

ITEMS KITCHENAID WILL NOT PAY FOR

1. Service calls to correct the installation of your major appliance, to instruct you how to use your major appliance, to replace or repair house fuses or to correct house wiring or plumbing.
2. Service calls to repair or replace appliance light bulbs, air filters or water filters. Those consumable parts are excluded from warranty coverage.
3. Repairs when your major appliance is used for other than normal, single-family household use.
4. Damage resulting from accident, alteration, misuse, abuse, fire, flood, acts of God, improper installation, installation not in accordance with electrical or plumbing codes, or use of products not approved by KitchenAid.
5. Replacement parts or repair labor costs for units operated outside the United States or Canada.
6. Pickup and delivery. This major appliance is designed to be repaired in the home.
7. Repairs to parts or systems resulting from unauthorized modifications made to the appliance.
8. Expenses for travel and transportation for product service in remote locations.
9. The removal and reinstallation of your appliance if it is installed in an inaccessible location or is not installed in accordance with published installation instructions.

DISCLAIMER OF IMPLIED WARRANTIES; LIMITATION OF REMEDIES

CUSTOMER'S SOLE AND EXCLUSIVE REMEDY UNDER THIS LIMITED WARRANTY SHALL BE PRODUCT REPAIR AS PROVIDED HEREIN. IMPLIED WARRANTIES, INCLUDING WARRANTIES OF MERCHANTABILITY OR FITNESS FOR A PARTICULAR PURPOSE, ARE LIMITED TO ONE YEAR OR THE SHORTEST PERIOD ALLOWED BY LAW. KITCHENAID SHALL NOT BE LIABLE FOR INCIDENTAL OR CONSEQUENTIAL DAMAGES. SOME STATES AND PROVINCES DO NOT ALLOW THE EXCLUSION OR LIMITATION OF INCIDENTAL OR CONSEQUENTIAL DAMAGES, OR LIMITATIONS ON THE DURATION OF IMPLIED WARRANTIES OF MERCHANTABILITY OR FITNESS, SO THESE EXCLUSIONS OR LIMITATIONS MAY NOT APPLY TO YOU. THIS WARRANTY GIVES YOU SPECIFIC LEGAL RIGHTS AND YOU MAY ALSO HAVE OTHER RIGHTS, WHICH VARY FROM STATE TO STATE OR PROVINCE TO PROVINCE.

Outside the 50 United States and Canada, this warranty does not apply. Contact your authorized KitchenAid dealer to determine if another warranty applies.

If you need service, first see the "Troubleshooting" section of the Use & Care Guide. After checking "Troubleshooting," additional help can be found by checking the "Assistance or Service" section or by calling KitchenAid. In the U.S.A., call **1-800-422-1230**. In Canada, call **1-800-807-6777**.

10/05

Requesting Assistance or Service in U.S.A.

Call the KitchenAid Customer Interaction Center toll-free at 1-800-422-1230. Our consultants are available to assist you.



When calling: Please know the purchase date, and the complete model and serial number of your appliance. This information will help us better respond to your request.

Our consultants provide assistance with:

- Features and specifications on our full line of appliances
- Installation information

- Use and maintenance procedures
- Accessory and repair parts sales
- Specialized customer assistance (Spanish speaking, hearing impaired, limited vision, etc.)
- Referrals to local dealers, service companies, and repair parts distributors

KitchenAid designated service technicians are trained to fulfill the product warranty and provide after-warranty service, anywhere in the United States.

To locate the designated KitchenAid service company in your area, you can also look in your telephone directory Yellow Pages.

If you need replacement parts

If you need to order replacement parts, we recommend that you only use factory-authorized parts. These parts will fit right and work right, because they are made to the same exacting specifications used to build every new KitchenAid appliance.

To locate factory-authorized parts in your area, call our Customer Interaction Center telephone number, your nearest authorized service center, or Factory Service at 1-800-442-1111.

For further assistance

If you need further assistance, you can write to KitchenAid with any questions or concerns at:

KitchenAid Brand Home Appliances
Customer Interaction Center
c/o Correspondence Dept.
2000 North M-63
Benton Harbor, MI 49022-2692

Please include a daytime phone number in your correspondence.

Requesting Assistance or Service in Canada

1. If you need assistance†...



Contact the dealer from whom you purchased your appliance, or call the KitchenAid Canada Customer Interaction Center toll-free, 8:30 a.m. – 6 p.m. (EST), at 1-800-422-1230.

2. If you need service†...

Contact your nearest KitchenAid Canada Appliance Service branch or authorized servicing outlet to service your appliance. (See list at right.) Make sure the service company you contact is authorized to service your appliance during the warranty period.

†When asking for assistance or service, please provide a detailed description of the problem, your appliance's complete model and serial numbers, and the purchase date. This information will help us respond properly to your request.

Direct service branches:

BRITISH COLUMBIA		1-800-665-6788
ALBERTA		1-800-661-6291
ONTARIO	Ottawa area	1-800-267-3456
(except 807 area code)	Outside the Ottawa area	1-800-807-6777
MANITOBA, SASKATCHEWAN and 807 area code in ONTARIO		1-800-665-1683
QUEBEC	Montreal (except South Shore)	1-800-361-3032
	South Shore Montreal	1-800-361-0950
	Quebec City	1-800-463-1523
	Sherbrooke	1-800-567-6966
ATLANTIC PROVINCES		1-800-565-1598

For further assistance

If you need further assistance, you can write to KitchenAid with any questions or concerns at:

Consumer Relations Department
KitchenAid Canada
1901 Minnesota Court
Mississauga, Ontario L5N 3A7

Please include a daytime phone number in your correspondence.

KitchenAid® Modèle KPEU722M

Ventilateur extérieur 34,0 m³/m (1200 cfm)

Instructions d'installation et guide d'utilisation et d'entretien

IMPORTANT : Lire et conserver ces instructions.

L'installateur doit laisser les instructions au propriétaire. Le propriétaire doit conserver ces instructions pour consultation ultérieure et à l'intention des inspecteurs locaux des installations électriques.

Avant de commencer...

Votre sécurité et celle des autres est très importante.

Nous donnons de nombreux messages de sécurité importants dans ce manuel, et sur votre appareil ménager. Assurez-vous de toujours lire tous les messages de sécurité et de vous y conformer.



Voici le symbole d'alerte de sécurité. Ce symbole d'alerte de sécurité vous signale les dangers potentiels de décès et de blessures graves à vous et à d'autres.

Tous les messages de sécurité suivront le symbole d'alerte de sécurité et le mot "DANGER" ou "AVERTISSEMENT". Ces mots signifient :

DANGER

Risque possible de décès ou de blessure grave si vous ne suivez pas immédiatement les instructions.

AVERTISSEMENT

Risque possible de décès ou de blessure grave si vous ne suivez pas les instructions.

Chaque message de sécurité identifie le danger potentiel et explique comment réduire le risque de blessure et ce qui peut se produire en cas de non-respect des instructions.

AVERTISSEMENT - POUR MINIMISER LE RISQUE D'INCENDIE, DE CHOC ÉLECTRIQUE OU DE DOMMAGES CORPORELS, RESPECTER LES DIRECTIVES SUIVANTES : Utiliser le produit uniquement de la manière prévue par le fabricant. Pour toute question, consulter le fabricant.

Avant d'entreprendre une opération de réparation ou de nettoyage, interrompre l'alimentation électrique au niveau du tableau de distribution, et placer un cadenas de sécurité sur le disjoncteur pour empêcher un rétablissement accidentel de l'alimentation. S'il n'est pas possible de verrouiller le disjoncteur ou autre dispositif coupe-circuit, apposer sur le tableau de distribution une étiquette proéminente interdisant le rétablissement de l'alimentation.

MISE EN GARDE. Utiliser ce produit uniquement dans une application de ventilation générale. Ne pas utiliser ce produit pour l'aspiration de vapeurs dangereuses ou potentiellement explosives.

IMPORTANT : Respecter les dispositions de tous les codes et règlements en vigueur.

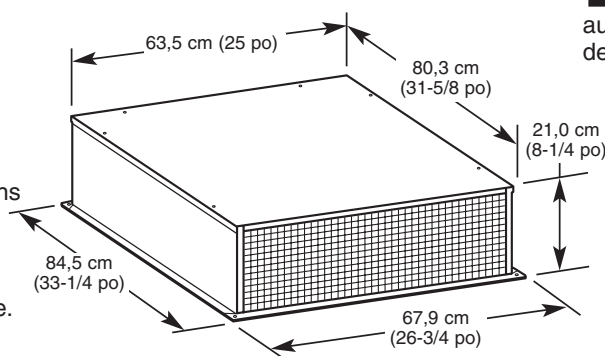
C'est au propriétaire qu'incombe la responsabilité d'une installation correcte.

Veiller à disposer de tout le matériel nécessaire pour une installation correcte. C'est à l'installateur qu'incombe la responsabilité de respecter les distances de séparation spécifiées.

Pour éviter toute détérioration des paliers de moteur et de turbine, veiller à ne pas exposer le ventilateur à des matériaux de plâtrage, poussières de construction, etc.

IMPORTANT

Avant l'installation du ventilateur d'extérieur, lire les instructions d'installation du circuit de conduits qui sera utilisé en conjonction avec le ventilateur.



Alimentation électrique

IMPORTANT : Respecter les prescriptions de tous les codes et règlements en vigueur.

C'est au client qu'incombe la responsabilité de :

- Contacter un électricien qualifié pour l'installation.
- Veiller à ce que l'installation électrique soit réalisée de manière adéquate et en conformité avec les prescriptions du Code national des installations électriques ANSI/NFPA 70 - dernière édition*, ou des normes ACNOR C22.1.94 / Code canadien des installations électriques (partie 1) et C22.2 N°-M91 - dernière édition**, et avec les prescriptions de tous les codes et règlements locaux en vigueur.

Si un conducteur distinct de liaison à la terre est utilisé lorsque le code le permet, on recommande qu'un électricien qualifié vérifie que la liaison à la terre est adéquate.

Ne pas utiliser une tuyauterie de gaz pour la liaison à la terre.

En cas d'incertitude quant à la qualité de la liaison à la terre de la hotte, consulter un électricien qualifié.

Ne pas installer un fusible en série avec le conducteur neutre ou le conducteur de liaison à la terre.

A. L'appareil doit être alimenté par un circuit de 120 volts, 60 Hz, CA seulement, 15 A.

B. Le ventilateur doit être raccordé au réseau électrique uniquement avec des conducteurs de cuivre.

On peut obtenir aux adresses suivantes des exemplaires des normes mentionnées :

* National Fire Protection Association
One Batterymarch Park
Quincy, Massachusetts 02269

** CSA International
8501 East Pleasant Valley Road
Cleveland, Ohio 44131-5575

C. Le moteur du ventilateur doit être raccordé au câblage d'alimentation selon les instructions fournies avec le système d'aspiration. On doit utiliser un câble flexible blindé ou à gaine non métallique. On doit installer un serre-câble de 1/2 po (homologation U.L./CSA) à chaque extrémité du câble d'alimentation.

Le calibre des conducteurs doit satisfaire les prescriptions de l'édition la plus récente du code ANSI/NFPA 70 ou du Code canadien de l'électricité (C22.1 et C22.2), et les prescriptions de tous les règlements et codes locaux en vigueur. On recommande l'emploi de conducteurs de diamètre égal ou supérieur à "calibre 14".

AVERTISSEMENT – POUR MINIMISER LES RISQUES D'INCENDIE, CHOC ÉLECTRIQUE OU DOMMAGES CORPORELS, OBSERVER LES PRESCRIPTIONS SUIVANTES :

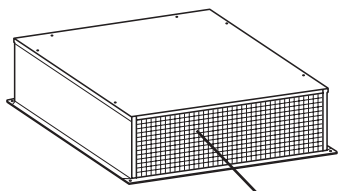
Le travail d'installation et de câblage électrique doit être exécuté par des personnes compétentes et en conformité avec les prescriptions des normes et codes applicables, ceci incluant les normes de résistance au feu des éléments de construction. La disponibilité d'un volume d'air approprié pour l'alimentation de l'équipement à combustion et l'évacuation des gaz de combustion par la cheminée pour qu'il n'ait pas de reflux est nécessaire. Respecter les directives du fabricant de l'équipement de chauffage et les normes de sécurité, publiées par des organismes comme la National Fire Protection Association (NFPA), et la American Society of Heating Refrigeration and Air Conditioning Engineers (ASHRAE), et par les autorités réglementaires locales.

Lors de toute opération de découpage ou de perçage dans une cloison ou un plafond, veiller à ne pas endommager les câbles électriques et canalisations qui peuvent s'y trouver.

Le conduit de décharge associé à un ventilateur doit se terminer à l'extérieur.

AVERTISSEMENT – Pour réduire le risque d'incendie, utiliser uniquement des conduits métalliques.

Cet appareil doit être relié à la terre.



Ce côté du ventilateur doit être orienté face à un espace inoccupé.

Spécifications du circuit d'aspiration

Déterminer la méthode d'acheminement de l'air aspiré qui convient le mieux pour l'application. Le conduit d'aspiration peut être relié à l'extérieur à travers le mur ou le toit.

Choisir l'emplacement d'installation du ventilateur extérieur de manière à minimiser la longueur du circuit d'aspiration et le nombre de coudes, pour optimiser la performance. Lorsque c'est possible, on devrait centrer le ventilateur extérieur entre des poteaux du colombage mural ou des chevrons du toit. La taille du circuit d'aspiration devrait être uniforme. Ne pas connecter ensemble deux raccords coudés. Assurer l'étanchéité de toutes les jointures du circuit à l'aide de ruban adhésif pour conduits. Utiliser un composé de calfeutrage pour sceller l'ouverture de passage à travers le mur, un plancher ou le toit.

Un conduit flexible suscite une rétropression et une turbulence de l'air, ce qui réduit considérablement la performance. Ne pas en utiliser.

Avant de découper les ouvertures, vérifier qu'il y a suffisamment d'espace dans la cavité murale ou du plafond pour l'installation des conduits du circuit d'aspiration. Éviter tuyauteries, conducteurs électriques, conduits et autres systèmes qui peuvent avoir été installés dans la cavité murale. On ne doit couper un poteau de colombage ou une solive que si c'est absolument nécessaire; dans un tel cas, on doit réaliser une structure de support appropriée.

L'emballage du ventilateur extérieur contient une collerette de plastique noir.

- La collerette de plastique noir sera fixée sur le ventilateur extérieur avec les quatre vis fournies. La collerette permet la connexion du conduit d'air de diamètre 25,4 cm (10 po).

Veiller à ce qu'il y ait suffisamment d'espace libre pour tout raccord de transition qu'il peut être nécessaire d'installer entre le ventilateur extérieur et le circuit d'aspiration.

Pour optimiser la performance, placer tout raccord de transition nécessaire le plus près possible du conduit d'évacuation qui sera utilisé avec le ventilateur.

Ce ventilateur extérieur doit être alimenté par un câble électrique séparé (homologation U.L./CSA) qui devra être installé en même temps que le circuit d'aspiration

Longueur maximale du circuit d'aspiration

Type de conduit	Longueur
Conduit rond dia. 25,4 cm (10 po)	16,8 m (55 pi)

La longueur du circuit n'est indiquée que pour référence générale. S'il est nécessaire d'installer un circuit d'aspiration de plus grande longueur ou de plus petit diamètre, contacter un installateur qualifié. Le cas échéant, consulter les codes locaux au sujet des exigences d'admission d'air frais.

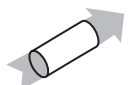


On recommande l'emploi de conduits cylindriques plutôt que de conduits à section rectangulaire, particulièrement s'il est nécessaire d'installer des raccords coudés. S'il est nécessaire d'installer des conduits à section rectangulaire, on doit effectuer aussi tôt que possible une transition vers du conduit cylindrique de diamètre 25,4 cm (10 po).

Pour maximiser la performance, ne pas utiliser plus de trois coudes à 90°. S'il est nécessaire d'utiliser deux raccords coudés ou plus, veiller à ce que deux coudes adjacents soient séparés par au moins 61 cm (24 po) de conduit cylindrique rectiligne. Ne pas connecter ensemble deux raccords coudés contigus.

Détermination de la longueur nécessaire du circuit

Pour déterminer la longueur équivalente du circuit d'aspiration nécessaire, noter la longueur équivalente en mètres (pieds) indiquée dans le tableau ci-dessous pour chaque élément du circuit à réaliser, et calculer le total.

Raccords recommandés pour du conduit standard de diamètre 25,4 cm (10 po)

		
Conduit cylindrique 1 pi = 0,3 m (1 pi)	Coude à 90° = 1,5 m (5 pi)	Coude à 45° = 0,8 m (2,5 pi)

Pour obtenir un exemplaire des normes mentionnées dans les instructions, contacter :

* National Fire Protection Association
One Batterymarch Park
Quincy, Massachusetts 02269

** CSA International
8501 East Pleasant Valley Road
Cleveland, Ohio 44131-5575

Commencement...

⚠️ AVERTISSEMENT

Risque de poids excessif

Utiliser deux ou plus de personnes pour déplacer et installer de la hotte.

Le non-respect de cette instruction peut causer une blessure au dos ou d'autre blessure.

1. Retirer tout carton d'emballage de la turbine du ventilateur.

2. Fixer la collerette de plastique noir sur le ventilateur extérieur avec les quatre vis fournies.

3. Enlever le couvercle arrière, le couvercle de la boîte de connexion, et l'opercule arrachable.

4. Sur l'ouverture libérée par l'opercule arraché, installer un serre-câble (homologation U.L./CSA).

NOTE : Pour la plupart des installations, on recommande que l'orientation du serre-câble permette le serrage depuis l'intérieur de la caisse du ventilateur.

5. Réinstaller le couvercle de la boîte de connexion, sans serrer la vis; on l'enlèvera de nouveau à l'étape 2 de "Raccordement électrique et raccordement au conduit d'aspiration".

Exécuter les instructions concernant le type d'installation choisi (sortie à travers le mur ou le toit).

SORTIE À TRAVERS LE MUR

1. Choisir un emplacement sur le mur extérieur où il n'y aura pas d'obstruction de la part de poteaux du colombage, câblages, tuyauteries, etc. dans la zone de passage du conduit d'aspiration. Selon les exigences du code local, il peut être nécessaire de placer le ventilateur extérieur à au moins 61 cm (24 po) au-dessus du sol. Veiller à tenir compte de la hauteur maximale d'accumulation de neige dans la région.

2. Percer le trou de guidage au centre de l'ouverture de diamètre 27,9 cm (11 po) à découper.

3. Tracer un rectangle de 69,9 x 86,4 cm (27 1/2 x 34 po) sur le mur – voir la FIGURE 1.

4. Découper un trou rectangulaire, dans le revêtement seulement, et pas dans les planches de doublure du mur. Clouer l'extrémité de chaque planche du revêtement.

5. Tracer un cercle de diamètre 27,9 cm (11 po) autour du trou de guidage identifié à la FIGURE 1. Marquer le centre du trou de diamètre 3 cm (1 1/4 po) où passera le câble électrique – voir la FIGURE 1.

6. Découper le trou de diamètre 27,9 cm (11 po) dans les planches de doublure. Percer le trou de diamètre 3 cm (1 1/4 po) pour le passage du câble électrique.

7. Appliquer une grande coulée de calfeutrant sur la face arrière de la caisse, le long du bord extérieur.

8. Centrer la couronne du ventilateur extérieur dans le trou de diamètre 27,9 cm (11 po); veiller à ce que le trou de 3 cm (1 1/4 po) de diamètre pour le passage du câble électrique soit aligné avec le trou correspondant à la boîte de connexion.

9. Fixer le ventilateur extérieur sur le mur à l'aide de vis (longueur appropriée selon la configuration d'installation). On devra obturer les quatre trous du panneau arrière pour éviter l'introduction d'humidité dans la résidence, à travers la caisse du ventilateur extérieur.

10. Calfeutrer tout autour de la tête de chaque vis de montage.

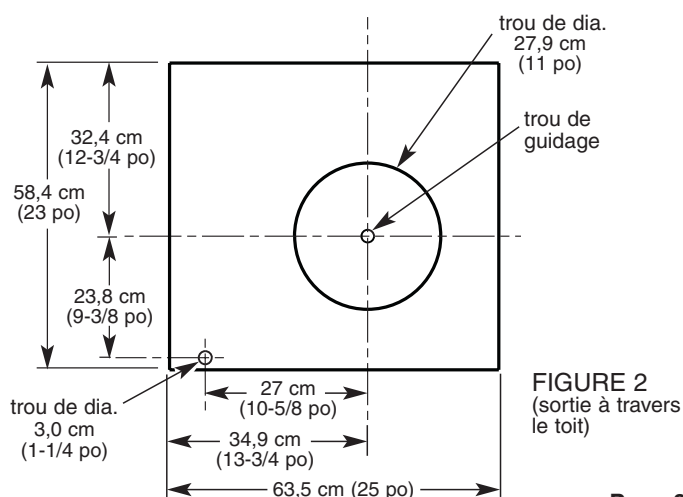
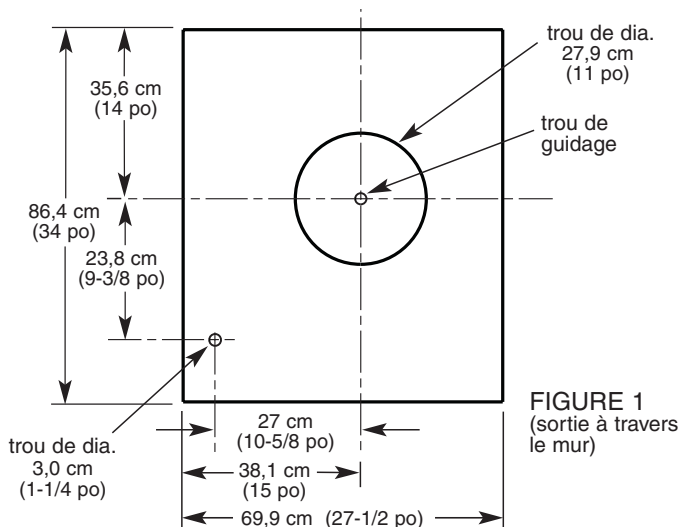
11. Passer à "Raccordement électrique et raccordement au conduit d'aspiration", page 4.

SORTIE À TRAVERS LE TOIT

1. Choisir sur la pente arrière du toit l'emplacement approprié qui minimise les effets du vent. Éviter les obstacles comme câble de télévision, câbles électriques, etc. Si le sommet du ventilateur extérieur est au niveau du faîte du toit, il ne sera pas visible depuis la rue. Penser à la position de cet endroit durant les opérations à l'intérieur du grenier.

2. Marquer un point à mi-distance entre les solives, pour le perçage d'un trou de guidage.

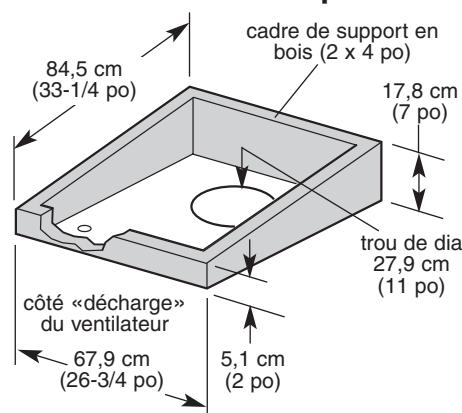
3. Depuis l'extérieur, utiliser le trou de guidage comme repère pour tracer le périmètre de l'ouverture rectangulaire à découper. Voir la FIGURE 2. Enlever les bardeaux seulement dans cette zone.



4. Tracer un cercle de diamètre 27,9 cm (11 po) centré sur le trou de guidage – voir la FIGURE 2. Marquer le centre du trou de diamètre 3 cm (1-1/4 po) à percer pour le passage du câble électrique – voir la FIGURE 2.

5. Découper les planches de platelage du toit sur le périmètre du cercle de diamètre 27,9 cm (11 po). Percer le trou de diamètre 3 cm (1-1/4 po) qui permettra le passage du câble électrique.

Installation du ventilateur extérieur sur un toit plat :



Centre le trou de dia. 27,9 cm (11 po) entre des solives.

Réaliser une base de support qui permettra le montage du ventilateur extérieur avec une pente d'au moins 6,4 cm (2 1/2 po). Assurer l'étanchéité de la base selon le besoin.

Positionner la base de telle manière que la bouche d'aspiration du ventilateur extérieur soit alignée avec le trou de dia. 27,9 cm (11 po), et pour que le ventilateur repose uniformément sur la base, sans espacement.

NOTE : Veiller à ce que la décharge du ventilateur extérieur soit orientée du côté opposé au vent prévalent.

Pour le positionnement du trou de dia. 3 cm (1 1/4 po), utiliser les dimensions de la FIGURE 1 ou de la FIGURE 2 (Page 3).

6. Enlever les clous de toiture sur la section supérieure (deux tiers) des bardeaux pour permettre l'insertion du solin du ventilateur extérieur sous les bardeaux.

7. Centrer la collerette du ventilateur extérieur sur le trou de diamètre 27,9 cm (11 po); veiller à ce que le trou de dia. 3 cm (1 1/4 po) pour le passage du câble électrique s'aligne avec le trou correspondant de la boîte de connexion.

8. Fixer le ventilateur extérieur sur le toit ou sur le châssis de support à l'aide de vis de taille appropriée. On devra obturer les quatre trous du panneau arrière pour éviter l'introduction d'humidité dans la résidence, à travers la caisse du ventilateur extérieur.

9. Utiliser de l'adhésif à toiture pour réaliser l'étanchéité entre les bardeaux et le solin, tout autour du châssis de support ou de la caisse du ventilateur extérieur, et sur la tête des vis de montage.

NOTE : Si le sommet et les côtés du ventilateur extérieur doivent être recouverts par une garniture :

- Réaliser d'abord tous les raccordements électriques et vérifier le bon fonctionnement du ventilateur.
- Ne pas obstruer l'ouverture de la grille de décharge avec la garniture; ceci dégraderait la performance du ventilateur.

10. Passer à "Raccordement électrique et raccordement au conduit d'aspiration", page 4.

Raccordement électrique et raccordement au conduit d'aspiration

! AVERTISSEMENT

Risque de choc électrique

Déconnecter la source de courant électrique avant l'entretien.

Connecter le conducteur de liaison à la terre avec la vis verte dans la boîte de connexion.

Le non-respect de ces instructions peut causer un décès ou un choc électrique.

1. Connecter le conduit sur la collerette de plastique noir du ventilateur extérieur; assurer l'étanchéité avec du ruban adhésif pour conduits.

2. Enlever le couvercle de la boîte de connexion et faire passer le câble d'alimentation 120 volts à travers le serre-câble.

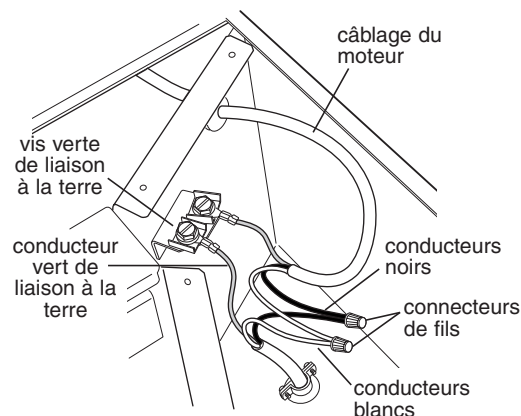


FIGURE 3

3. Réaliser les raccordements du câblage. (Voir le schéma de câblage à la FIGURE 3.)

Avec des connecteurs de fils :

- Raccorder les fils blancs.
- Raccorder les fils noirs.
- Connecter le conducteur vert de liaison à la terre du câble d'alimentation avec la vis verte de liaison à la terre non utilisée.
- Bien serrer les vis du serre-câble.

4. Réinstaller le couvercle de la boîte de connexion; bien serrer les vis. Veiller à ne coincer aucun conducteur sous le couvercle.

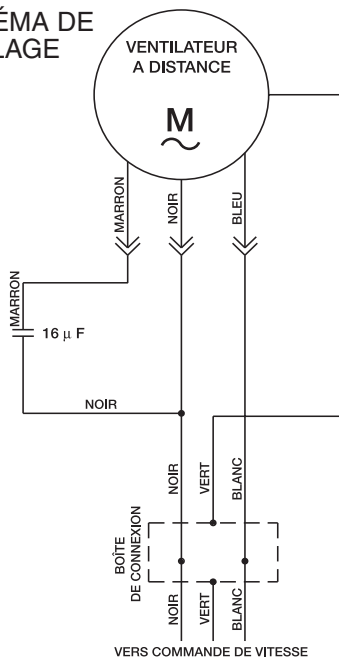
5. Réinstaller le couvercle du ventilateur; bien serrer les vis.

6. Connecter le conduit d'air à la hotte.

7. Exécuter les derniers raccordements électriques – voir les instructions d'installation fournies avec la hotte sans ventilateur ou le système rétractable d'aspiration par le bas.

8. Mettre le ventilateur sous tension. Exécuter les instructions de la section "Contrôle du fonctionnement" dans les instructions d'installation fournies avec la hotte; vérifier que le ventilateur fonctionne correctement. Le cas échéant, vérifier que le volet peut manœuvrer librement.

SCHÉMA DE CÂBLAGE



Entretien du ventilateur extérieur

- Avant d'entreprendre une opération de nettoyage ou d'entretien, interrompre l'alimentation électrique du ventilateur, et verrouiller le tableau de distribution qui l'alimente.
- Pour le nettoyage, enlever le couvercle et nettoyer l'aspirateur le ventilateur et sa caisse; veiller à ne pas endommager la turbine.
- Les paliers du moteur ont reçu une lubrification à vie. Ne pas démonter ou lubrifier.

GARANTIE DU SYSTÈME DE VENTILATION KITCHENAID®

GARANTIE LIMITÉE DE UN AN

Pendant un an à compter de la date d'achat, lorsque ce gros appareil ménager est utilisé et entretenu conformément aux instructions jointes à ou fournies avec le produit, KitchenAid ou KitchenAid Canada (ci-après désignées "KitchenAid") paiera pour les pièces spécifiées par l'usine et la main-d'œuvre pour corriger les vices de matériaux ou de fabrication. Le service doit être fourni par une compagnie de service désignée par KitchenAid.

KITCHENAID NE PRENDRA PAS EN CHARGE

1. Les visites de service pour rectifier l'installation du gros appareil ménager, montrer à l'utilisateur comment utiliser l'appareil, remplacer ou réparer des fusibles ou rectifier le câblage ou la plomberie du domicile.
2. Les visites de service pour réparer ou remplacer les ampoules électriques de l'appareil, les filtres à air ou les filtres à eau. Ces pièces consommables ne sont pas couvertes par la garantie.
3. Les réparations lorsque le gros appareil ménager est utilisé à des fins autres que l'usage unifamilial normal.
4. Les dommages imputables à : accident, modification, usage impropre ou abusif, incendie, inondation, actes de Dieu, installation fautive ou installation non conforme aux codes d'électricité ou de plomberie, ou l'utilisation de produits non approuvés par KitchenAid.
5. Le coût des pièces de rechange et de la main-d'œuvre pour les appareils utilisés hors des États-Unis ou du Canada.
6. Le ramassage et la livraison. Ce gros appareil ménager est conçu pour être réparé à domicile.
7. Les réparations aux pièces ou systèmes résultant d'une modification non autorisée faite à l'appareil.
8. Les frais de voyage ou de transport pour le service d'un produit dans les régions éloignées.
9. La dépose et la réinstallation de votre appareil si celui-ci est installé dans un endroit inaccessible ou n'est pas installé conformément aux instructions d'installation fournies.

CLAUSE D'EXONÉRATION DE RESPONSABILITÉ AU TITRE DES GARANTIES IMPLICITES; LIMITATION DES RECOURS

LE SEUL ET EXCLUSIF RECOURS DU CLIENT DANS LE CADRE DE LA PRÉSENTE GARANTIE LIMITÉE CONSISTE EN LA RÉPARATION PRÉVUE CI-DESSUS. LES GARANTIES IMPLICITES, Y COMPRIS LES GARANTIES APPLICABLES DE QUALITÉ MARCHANDE ET D'APTITUDE À UN USAGE PARTICULIER, SONT LIMITÉES À UN AN OU À LA PLUS COURTE PÉRIODE AUTORISÉE PAR LA LOI. KITCHENAID N'ASSUME AUCUNE RESPONSABILITÉ POUR LES DOMMAGES FORTUITS OU INDIRECTS. CERTAINES JURIDICTIONS NE PERMETTENT PAS L'EXCLUSION OU LA LIMITATION DES DOMMAGES FORTUITS OU INDIRECTS, OU LES LIMITATIONS DE LA DURÉE DES GARANTIES IMPLICITES DE QUALITÉ MARCHANDE OU D'APTITUDE À UN USAGE PARTICULIER, DE SORTE QUE CES EXCLUSIONS OU LIMITATIONS PEUVENT NE PAS S'APPLIQUER DANS VOTRE CAS. CETTE GARANTIE VOUS CONFÈRE DES DROITS JURIDIQUES SPÉCIFIQUES ET VOUS POUVEZ ÉGALEMENT JOUIR D'AUTRES DROITS QUI PEUVENT VARIER D'UNE JURIDICTION À UNE AUTRE.

À l'extérieur du Canada et des 50 États des États-Unis, cette garantie ne s'applique pas. Contacter votre marchand KitchenAid autorisé pour déterminer si une autre garantie s'applique.

Si vous avez besoin de service, voir d'abord la section "Dépannage" du Guide d'utilisation et d'entretien. Après avoir vérifié la section "Dépannage", de l'aide supplémentaire peut être trouvée en vérifiant la section "Assistance ou service" ou en appelant KitchenAid. Aux É.-U., composer le **1-800-422-1230**. Au Canada, composer le **1-800-807-6777**.

10/05

Demande d'assistance ou de service aux É.-U.

Téléphoner au Centre d'interaction avec la clientèle KitchenAid sans frais d'interurbain au 1-800-422-1230.

Nos consultants sont disponibles pour vous aider.



Lors de votre appel, veuillez connaître la date d'achat et les numéros au complet de modèle et de série de votre appareil. Ces renseignements nous aideront à mieux répondre à votre demande.

Nos consultants fournissent de l'assistance pour :

- Caractéristiques et spécifications de notre gamme complète d'appareils électroménagers
- Renseignements concernant l'installation

- Procédés d'utilisation et d'entretien
 - Vente d'accessoires et de pièces de rechange
 - Assistance spécialisée aux clients (langue espagnole, malentendants, malvoyants, etc.)
 - Les références aux marchands, compagnies de service de réparation, et distributeurs de pièces de rechange locaux.
- Les techniciens de service désignés par KitchenAid sont formés pour exécuter les travaux sous garantie sur les produits et pour dispenser les services nécessaires après l'expiration de la garantie, partout aux É.-U.

Pour localiser la compagnie de service désignée par KitchenAid dans votre région, vous pouvez consulter les Pages Jaunes de votre annuaire de téléphone.

Si vous avez besoin de pièces de rechange

Si vous avez besoin de commander des pièces de rechange, nous vous recommandons d'utiliser seulement des pièces autorisées par l'usine. Ces pièces conviendront et fonctionneront bien parce qu'elles sont fabriquées selon les mêmes spécifications précises utilisées pour construire chaque nouvel appareil KitchenAid®.

Pour localiser des pièces autorisées par l'usine dans votre région, téléphonez à notre Centre d'interaction avec la clientèle, votre Centre de service autorisé le plus proche, ou le service de l'usine KitchenAid en composant le 1-800-442-1111.

Pour plus d'assistance

Si vous avez besoin de plus d'assistance, vous pouvez écrire en soumettant toute question ou problème à :

KitchenAid Brand Home Appliances
Customer Interaction Center
C/o Correspondence Dept.
2000 North M-63
Benton Harbor, MI 49022-2692

Veuillez indiquer dans votre correspondance un numéro de téléphone où l'on peut vous joindre dans la journée.

Demande d'assistance ou de service au Canada

1. Si vous avez besoin d'assistance†...



Communiquer avec le marchand chez qui vous avez acheté votre appareil électroménager, ou téléphoner à KitchenAid Canada au Centre d'interaction avec la clientèle, sans frais

d'interurbain, entre 8 h 30 et 18 h 00 (HNE), en composant 1-800-422-1230.

2. Si vous avez besoin de service†...

Communiquer avec la succursale ou établissement de service autorisé de KitchenAid Canada le plus proche pour l'entretien de votre appareil. (Voir liste ci-dessous.) S'assurer que la compagnie de service que vous contactez est autorisée à faire l'entretien de votre appareil durant la période de garantie.

† Lorsque vous demandez de l'assistance ou un service, veuillez fournir une description détaillée du problème, les numéros complets du modèle et de série de l'appareil, et la date d'achat. Ces renseignements nous aideront à mieux répondre à votre demande.

Succursales de service direct :

COLOMBIE-BRITANNIQUE		1-800-665-6788
ALBERTA		1-800-661-6291
ONTARIO	Région d'Ottawa	1-800-267-3456
(à l'exception de l'indicatif régional 807)	En dehors de la région d'Ottawa	1-800-807-6777
MANITOBA, SASKATCHEWAN		
et indicatif régional 807 en ONTARIO		1-800-665-1683
QUÉBEC	Montreal (à l'exception de la Rive-Sud)	1-800-361-3032
	Rive-Sud Montréal	1-800-361-0950
	Québec	1-800-463-1523
	Sherbrooke	1-800-567-6966
PROVINCES DE L'ATLANTIQUE		1-800-565-1598

Pour plus d'assistance

Si vous avez besoin de plus d'assistance, vous pouvez écrire en soumettant toute question ou problème au :

Service des relations avec la clientèle
KitchenAid Canada
1901 Minnesota Court
Mississauga, Ontario L5N 3A7

Veuillez indiquer dans votre correspondance un numéro de téléphone où l'on peut vous joindre dans la journée.