

*Frigidaire*

Factory Parts Catalog

|                           |               |               |               |               |               |               |
|---------------------------|---------------|---------------|---------------|---------------|---------------|---------------|
| Product No.               | FAX054P7A1    | FAX054P7A2    | FAX054P7A3    | FAX054P7A4    | FAX054P7A5    | FAX054P7A6    |
| Series                    | OPP5          | OPP5          | OPP5          | OPP5          | OPP5          | OPP5          |
| Color                     | N/A           | N/A           | N/A           | N/A           | N/A           | N/A           |
| Volts                     | 115           | 115           | 115           | 115           | 115           | 115           |
| BTU-Cooling               | 5000          | 5000          | 5000          | 5000          | 5000          | 5000          |
| Owner's Guide             | 220201d038    | 220201d038    | 220201d038    | 220201d038    | 220201d038    | 220201d038    |
| Installation Instructions | opp5installen | opp5installen | opp5installen | opp5installen | opp5installen | opp5installen |
| Market                    | North America | North America | North America | North America | North America | North America |

 **Electrolux**

Electrolux Major Appliances  
 North & Latin America  
 P.O. BOX 212378  
 AUGUSTA, GA 30917

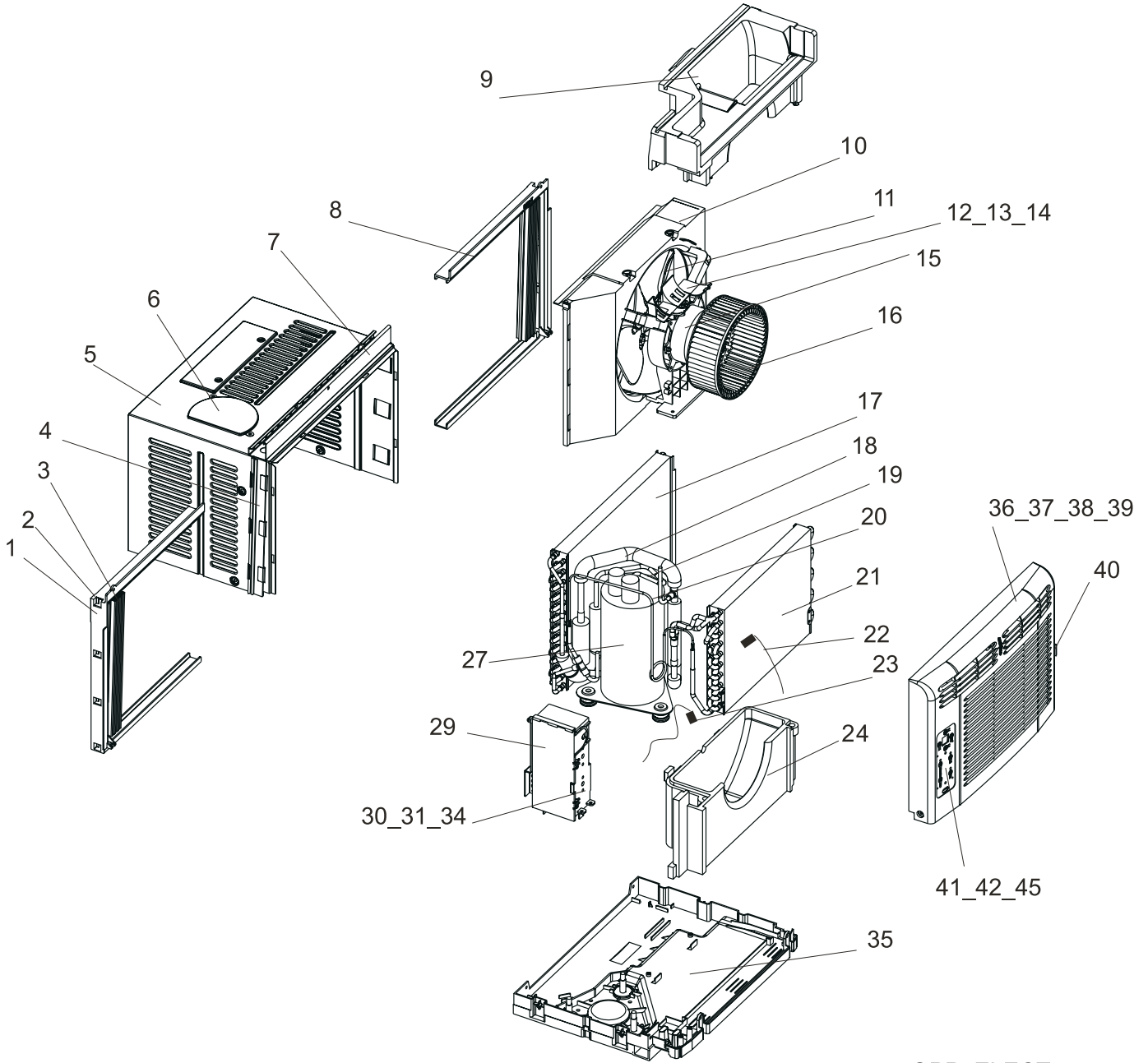
Publication No.  
**5995439063**  
 05/06/09  
 (EN/SERVICE/WC)  
 099

**ROOM AIR  
 CONDITIONER**

**Model No.  
 FAX054P7**

Copyright © 2005 Electrolux Home Products, Inc.  
 All rights reserved.

**RECOMMENDED SPARE PARTS**



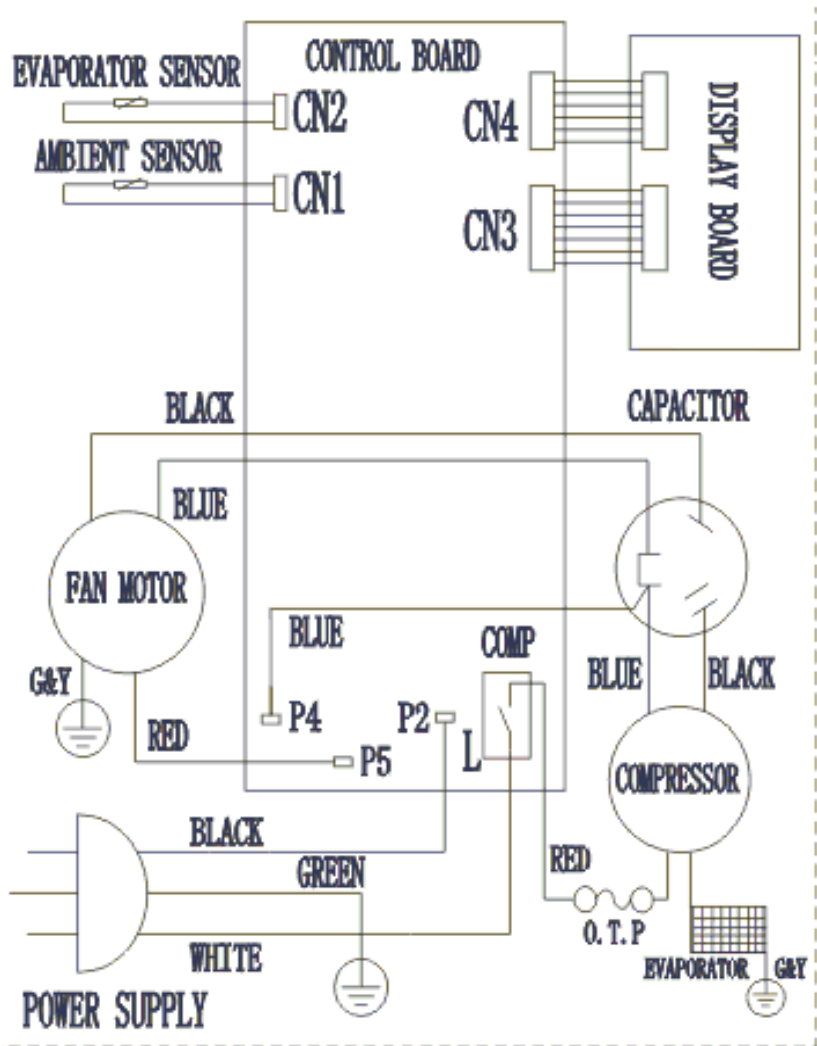
OPP5ELECT

## RECOMMENDED SPARE PARTS

*Model Index:* A FAX054P7A (FAX054P7A1)  
 B FAX054P7A (FAX054P7A2)  
 C FAX054P7A (FAX054P7A3)  
 D FAX054P7A (FAX054P7A4)  
 E FAX054P7A (FAX054P7A5)  
 F FAX054P7A (FAX054P7A6)

| POS. NO | PART NO.   |             | DESCRIPTION  |
|---------|------------|-------------|--|
| 1       | 5304448319 | A B C D E F | Frame, shutter, LH, extension                                  |
| 2       | 5304448320 | A B C D E F | Retainer, shutter lock   |
| 3       | 5304448321 | A B C D E F | Shutter, accordion panel                                       |
| 4       | 5304448322 | A B C D E F | Retainer, shutter mount, cabinet sides                         |
| 5       | 5304448323 | A B C D E F | Cabinet, wrapper/sleeve  |
| 6       | 5304448324 | A B C D E F | Cover, cabinet, top  |
| 7       | 5304448325 | A B C D E F | Rail, shutter track, top                                       |
| 8       | 5304448326 | A B C D E F | Frame, shutter, RH, extension                                  |
| 9       | 5304448327 | A B C D E F | Scroll, blower housing, top                                    |
| 10 #    | 5304448328 | A B C D E F | Shroud, fan housing  |
| 11 #    | 5304448329 | A B C D E F | Fan Blade  |
| 12 #    | 5304448330 | A B C D E F | Capacitor  |
| 13      | 5304448331 | A B C D E F | Box, capacitor   |
| 14      | 5304448332 | A B C D E F | Cover, capacitor   |
| 15 #    | 5304448333 | A - C - E - | Motor, fan   |
| 15 #    | 5304448355 | - B - D - F | Motor, fan   |
| 16 #    | 5304446350 | A B C D E F | Blower Wheel, centrifugal fan                                  |
| 17 #    | 5304448334 | A B C D E F | Condenser  |
| 18 #    | 5304448335 | A B - - - - | Suction Tube   |
| 18 #    | 5304448356 | - - C D - - | Tube, suction  |
| 18 #    | 5304448360 | - - - - E F | Tube, suction  |
| 19 #    | 5304448336 | A B - - - - | Discharge Tube   |
| 19 #    | 5304448357 | - - C D - - | Tube, discharge  |
| 19 #    | 5304448361 | - - - - E F | Tube, discharge  |
| 20 #    | 5304448337 | A B - - - - | Capillary Tube   |
| 20 #    | 5304448358 | - - C D - - | Tube, capillary  |
| 20 #    | 5304448362 | - - - - E F | Tube, capillary  |
| 21 #    | 5304448338 | A B C D E F | Evaporator   |
| 22 #    | 5304436543 | A B C D E F | Sensor, ambient temp   |
| 23 #    | 5304436542 | A B C D E F | Sensor, evap temp, defrost                                     |
| 24      | 5304448339 | A B C D E F | Scroll, blower housing, bottom                                 |
| 27 #    | 5304446358 | A B - - - - | Compressor Assy, w/overload, grommets                          |
| 27 #    | 5304446363 | - - C D - - | Compressor Assy, w/overload, grommets                          |
| 27 #    | 5304448363 | - - - - E F | Compressor Assy, w/overload, grommets                          |
| 29      | 5304448340 | A B C D E F | Cover, control box   |
| 30      | 5304448371 | A B C D E F | Control Box  |
| 31 #    | 5304436531 | A B C D E F | PC Board, control/power  |
| 34 #    | 5304448342 | A B C D E F | Power Cord, LCDI, with test/reset                              |
| 35      | 5304448343 | A B - - - - | Base, unit chassis   |
| 35      | 5304448359 | - - C D - - | Base, unit chassis   |
| 35      | 5304448364 | - - - - E F | Base, unit chassis   |
| 36      | 5304448344 | A B C D E F | Frame, front assembly  |
| 37      | 5304448345 | A B C D E F | LOUVRES, vertical  |
| 38      | 5304448346 | A B C D E F | Wheel, louver adjust   |
| 39      | 5304448347 | A B C D E F | Clamp, wheel adjust  |
| 40      | 5304448348 | A B C D E F | Filter, air  |
| 41      | 5304448372 | A B C D E F | Control Box  |
| 42      | 5304448373 | A B C D E F | Display Board  |
| 45      | 5304448374 | A B C D E F | Panel, control display, overlay                                |
| *       | 5304436595 | A B C D E F | Remote Control, transmitter                                    |
| *       | 5304448354 | A B C D E F | KIT, MTG HARDWARE, installation, mtg hardware, incl:1, 2, 3, 8 |
| *       | 5304448375 | A B C D E F | Front Assembly, complete panel, includes 36, 37, 38, 39, 40    |

**WIRING DIAGRAM**



2202019178