

Frigidaire

Factory Parts Catalog

Product No.	FRT21IS6JB2	FRT21IS6JK2	FRT21IS6JS2	FRT21IS6JW2
Series	R134a	R134a	R134a	R134a
Color	black	stainless (LH)	stainless (RH)	white
Volts	115	115	115	115
Wiring Diagram	241582401	241582401	241582401	241582401
Owner's Guide	241857201	241857201	241857201	241857201
Market	North America	North America	North America	North America
Energy Guide	241615456	241615456	241615456	241615456
Service Data Sheet	241588203	241588203	241588203	241588203
Installation Instructions	240568303	240568303	240568303	240568303



Electrolux Major Appliances
 North & Latin America
 P.O. BOX 212378
 AUGUSTA, GA 30917

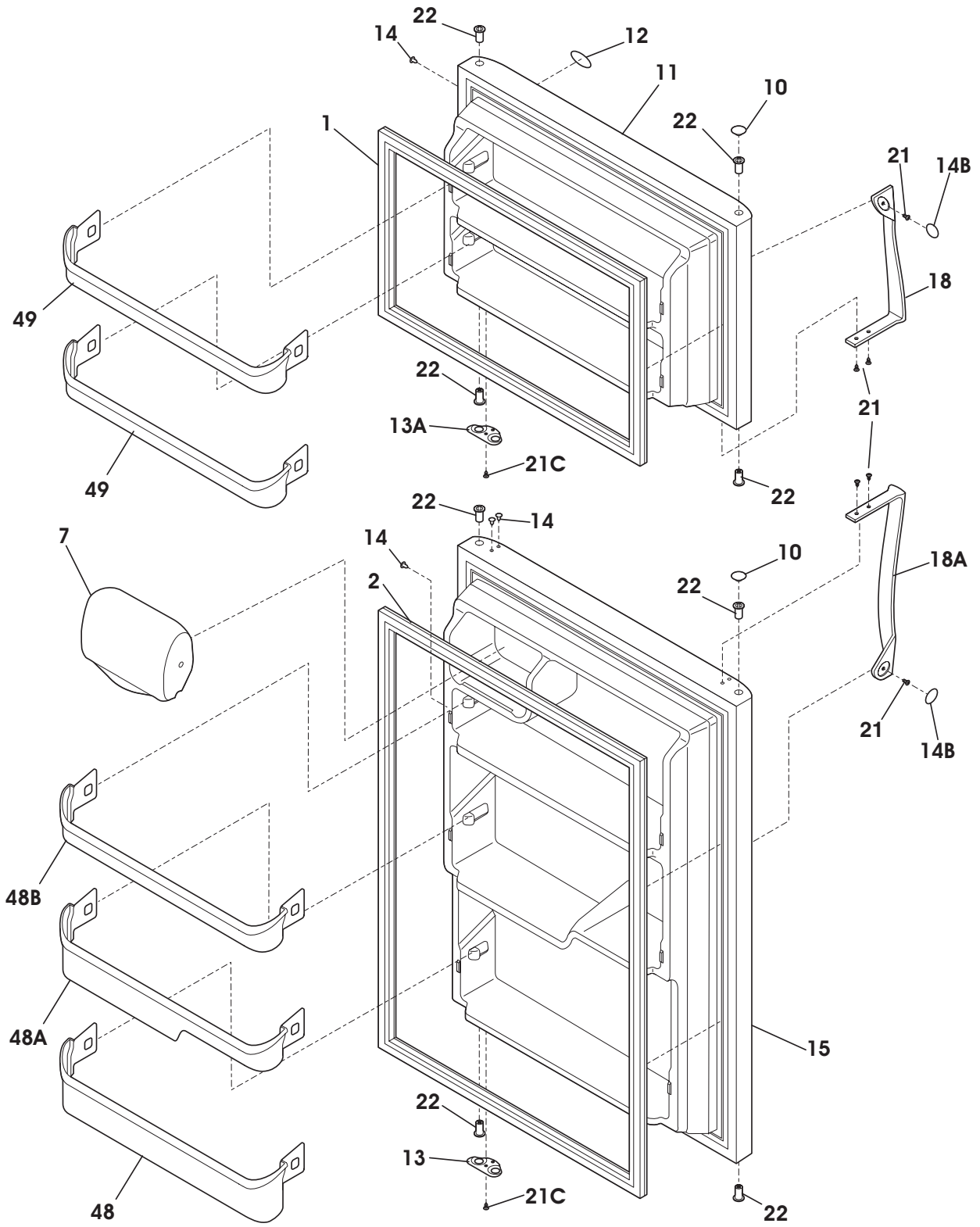
Publication No.
5995542411
 09/06/09
 (EN/SERVICE/DCS)
 137

**TOP-MOUNT
 REFRIGERATOR WITH
 ICE-MAKER**

Model No.
FRT21IS6J

Copyright © 2009 Electrolux Home Products, Inc.
 All rights reserved.

DOOR



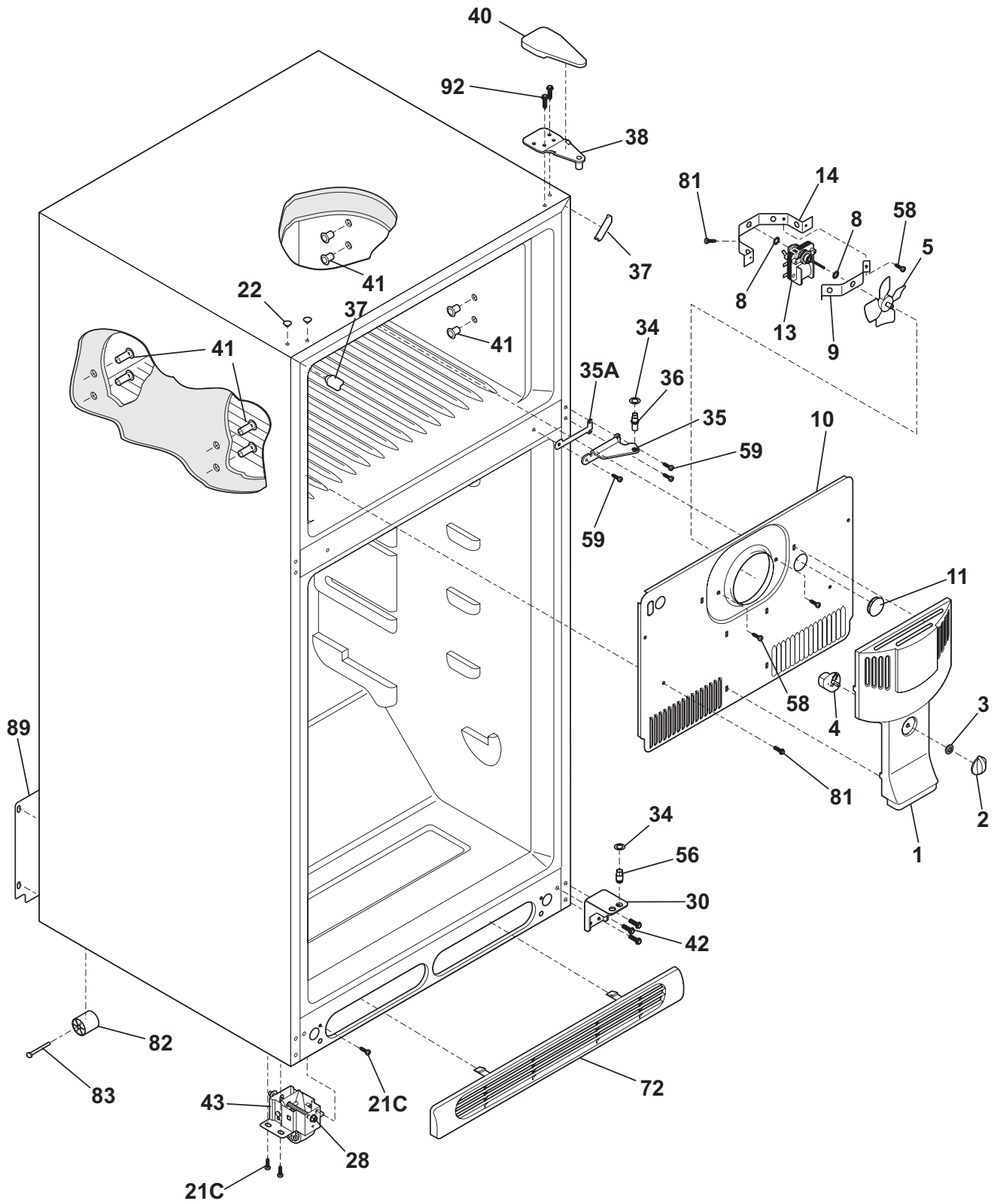
N05DCBCA1

DOOR

Model Index: A FRT21IS6J (FRT21IS6JB2)
 B FRT21IS6J (FRT21IS6JK2)
 C FRT21IS6J (FRT21IS6JS2)
 D FRT21IS6J (FRT21IS6JW2)

POS. NO	PART NO.		DESCRIPTION
1 #	241872511	A B C -	Gasket-frzr door, black, magnetic
1 #	241872505	- - - D	Gasket-frzr door, white, magnetic
2 #	241872514	A B C -	Gasket, refr door seal, black, magnetic
2 #	241872513	- - - D	Gasket, refr door seal, white, magnetic
7	240337703	A B C D	Door-dairy, w/o graphics, clear
10	240381303	A - - -	Plug-button, black, hinge brg hole
10	240381301	- - - D	Plug-button, white, hinge brg hole, (2)
11	241798412	A - - -	Door-frzr, black, complete assy
11	240450365	- B - -	Door, frzr, stainless steel, LH
11	240450366	- - C -	Door, frzr, stainless steel
11	241798402	- - - D	Door-frzr, white, complete assy
12	241808601	A B C D	Label-nameplate
13	240312403	- - - D	Door Stop, white, ref
13	240312405	A B C -	Door Stop, black, refr
13A	240312404	- - - D	Door Stop, white, frzr
13A	240312406	A B C -	Door Stop, black, frzr
14	240494003	A - - -	Plug-button, black
14	240494001	- - - D	Plug-button, white
14B	240383601	- - - D	Plug-button, white, door handle
14B	240383603	A B C -	Plug-button, black, door handle
15	241798512	A - - -	Door-refr, black, complete assy
15	240450479	- B - -	Door, refr, stainless steel, LH
15	240450478	- - C -	Door, refr, stainless steel, RH
15	241798502	- - - D	Door-refr, white, complete assy
18	240339203	A B C -	Handle-door, black, refr-LH/frzr-RH
18	240339201	- - - D	Handle-door, white, refr-LH/frzr-RH
18A	240339208	A B C -	Handle-door, black, refr-RH/frzr-LH
18A	240339206	- - - D	Handle-door, white, refr-RH/frzr-LH
21	240383406	A B C D	Screw, truss hd quad, #10-16 x .500, zinc
21C	218252201	A B C D	Screw, #8 truss hd, 10-32CA x 0.500
22	240527102	A B C -	Bearing-hinge, black
22	240527101	- - - D	Bearing-hinge, natural color
48	240338101	A B C D	Bin-door, pseudo, bottom
48A	240337901	A B C D	Bin-door, refr
48B	240338001	A B C D	Bin-door, pseudo, gallon, refr
49	240495804	A B C D	Bin-door, pseudo, frzr

CABINET



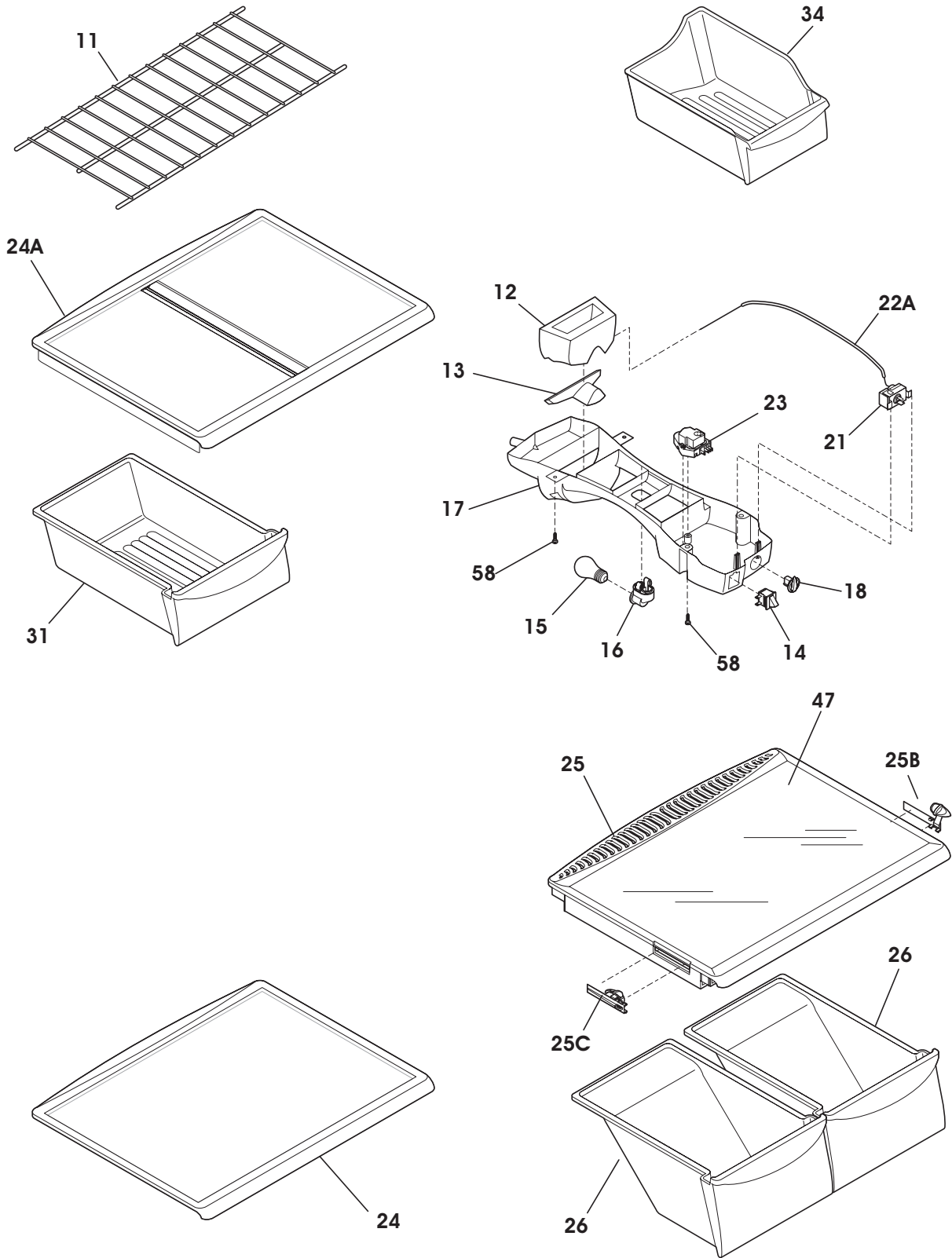
N05BBAAA9

CABINET

Model Index: A FRT21IS6J (FRT21IS6JB2)
 B FRT21IS6J (FRT21IS6JK2)
 C FRT21IS6J (FRT21IS6JS2)
 D FRT21IS6J (FRT21IS6JW2)

POS. NO	PART NO.		DESCRIPTION
1	240355402	A B C D	Cover-fan
2	240367001	A B C D	Knob-damper control
3	5303212803	A B C D	Nut
4	240367401	A B C D	Damper-fan cover
5 #	5308000010	A B C D	Fan Blade, red, evaporator fan
8	242014101	A B C D	Bushing-motor mtg, (2)
9	5303292396	A B C D	Bracket-motor mtg, front
10	240313612	A B C D	Cover-evap coil, w/o light
10*	240568606	A B C D	Seal-coil cover
11	5303208309	A B C D	Plug-hole, factory test
13 #	241854401	A B C D	Motor-fan
13*	215474201	A B C D	Washer, "slinger", nylon, evap fan shaft
14	5303292397	A B C D	Bracket-motor mtg, rear
14*	240433204	A B C D	Screw, hex washer head, 8-18 x 5/16
21C	218252201	A B C D	Screw, #8 truss hd, 10-32CA x 0.500
22	215774918	A B C -	Plug-button, black, upr hinge holes
22	215774901	- - - D	Plug-button, white, upr hinge holes
28	240335502	A B C D	Bolt-roller adj, hex washer head, 1/4-20 x 4.020, (2), special
30	240314003	A B C -	Bracket-lower hinge, black
30	240314011	- - - D	Bracket-lower hinge, zinc
34	240311303	A B C D	Washer, hinge, nylon, (2)
35	240313803	A B C -	Bracket-ctr hinge, black
35	240313806	- - - D	Bracket-ctr hinge, zinc
35A	240336803	A B C -	Spacer-hinge, center, black
35A	240336802	- - - D	Spacer-hinge, center
36	240516402	A B C D	Pin-center hinge
37	240337610	A B C -	Trim-cabinet corner, black, (2)
37	240337608	- - - D	Trim-cabinet corner, white, (2)
38	240313702	A B C D	Bracket-upper hinge
40	240354404	A B C -	Cover-upper hinge, black
40	240354401	- - - D	Cover-upper hinge, white
41	5308009759	A B C D	Grommet, shelf mtg, 1.25", LH, (4)
42	240578902	A B C D	Screw, hex head, 1/4-20 x 5/8
43	240335005	A B C D	Roller Assy, adjustable, front, (2)
56	240516502	A B C D	Pin-lower hinge
58	5304456287	A B C D	Screw, hex washer head, 8-15A x 0.500
59	240442707	A B C -	Screw-#10-32 X 3/4, black
59	240442706	- - - D	Screw-#10-32 X 3/4, zinc
72	241839407	A B C -	Grille/Kickplate, black
72	241839405	- - - D	Grille/Kickplate, white
81	5304455650	A B C D	Screw, hex washer head, 8-15A x 0.625, low profile
82	5304418225	A B C D	Roller, compressor base, rear, (2)
83	5304455655	A B C D	Rivet, flat head, 1/4 OD x 1-3/4, roller pin
89	241733907	A B C D	Cover-access, with label
89*	241500303	A B C D	Screw, hex washer head, 8-18AB x 0.500
92	241710601	A B C D	Screw, hex washer hd, 1/4 x 7/8, hinge mtg
*	5303321321	A B C -	Paint, touch-up, black
*	5303321319	- - - D	Paint, touch-up, white

SHELVES



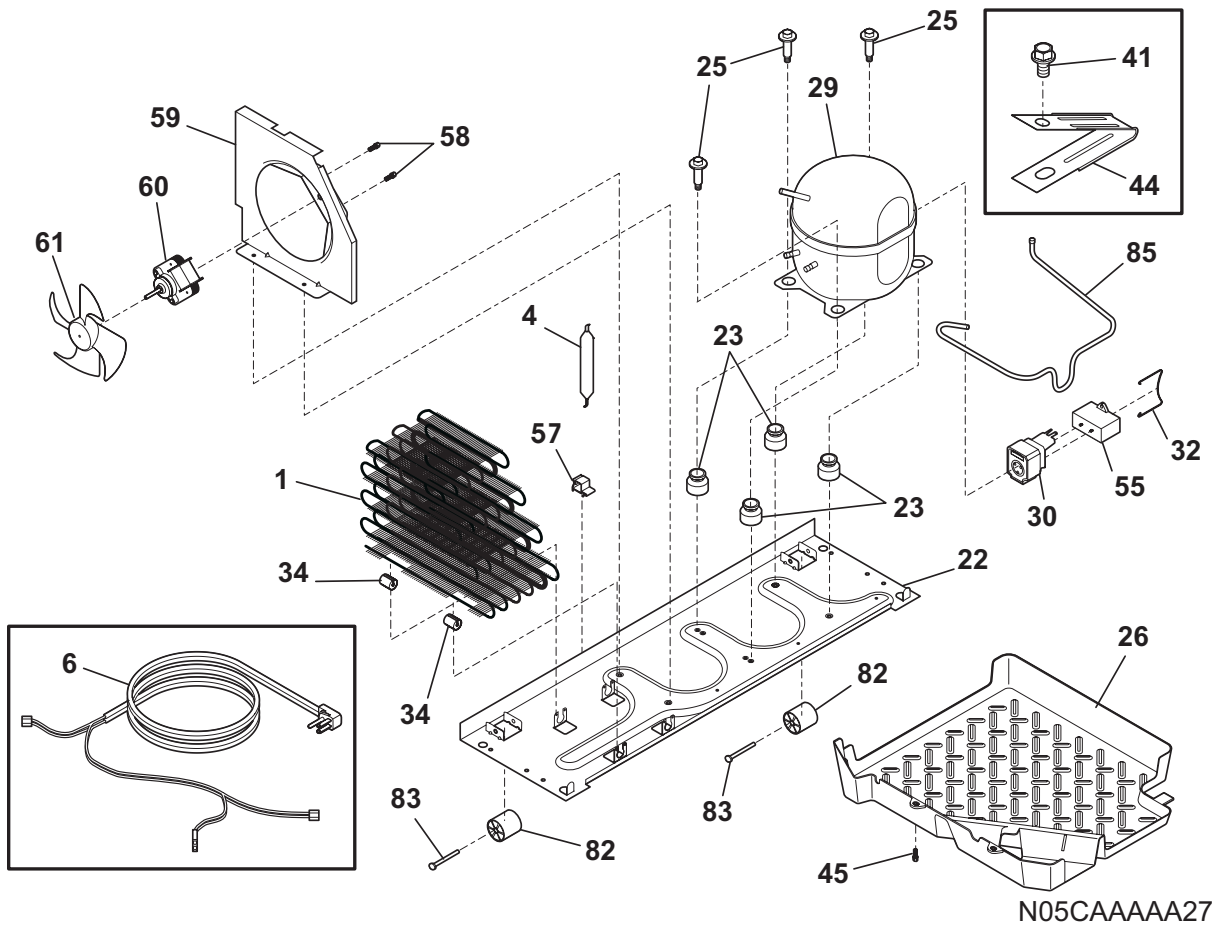
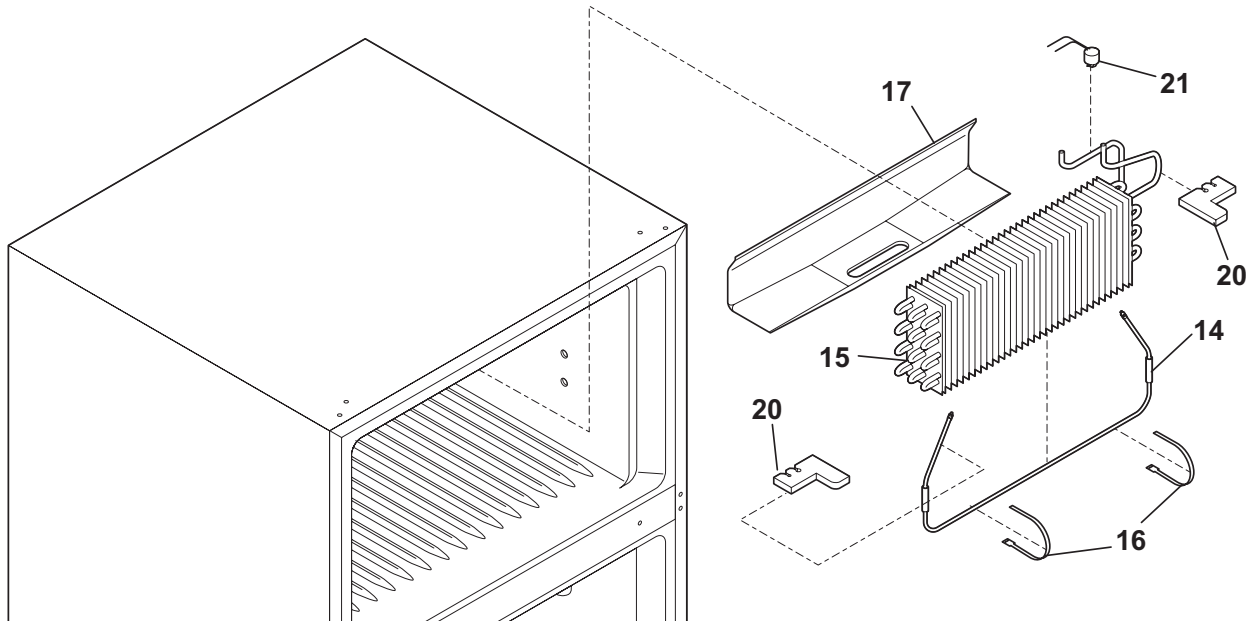
N05SACAFI17

SHELVES

Model Index: A FRT21IS6J (FRT21IS6JB2)
 B FRT21IS6J (FRT21IS6JK2)
 C FRT21IS6J (FRT21IS6JS2)
 D FRT21IS6J (FRT21IS6JW2)

POS. NO	PART NO.		DESCRIPTION
11	240358006	A B C D	Shelf, freezer, full-width, wire
12	240545901	A B C D	Diffuser-air, top
13	240362601	A B C D	Diffuser, air, bottom
14 #	241554901	A B C D	Switch-light/lamp
15	241555401	A B C D	Light Bulb
16	241559801	A B C D	Socket-light
17	240368102	A B C D	Control Box
17*#	240388701	A B C D	Wiring Harness, control box
18	240360801	A B C D	Knob, temp control
21 #	5304445058	A B C D	Control-temperature
22A	240468201	A B C D	Tube, sensor sleeve, 31 inch, plastic, white
23 #	215846606	A B C D	Timer, defrost, 60 Hz, 0.25 W, 120 V, 10 hour/30 min
23*	5304455649	A B C D	Screw, pan hd, 6-20 x 0.438
24	240358909	A B C D	Shelf-"Spill-Safe", sliding
24A	240358910	A B C D	Shelf-"Spill-Safe", sliding, meat pan track
25	240364718	A B C D	Cover-crisper pan
25B	241613501	A B C D	Control-humidity, RH
25C	241613502	A B C D	Control-humidity, LH
26	240343803	A B C D	Pan, crisper, (2)
31	240530803	A B C D	Pan-meat, w/o graphics, clear
34	240385201	A B C D	Container, ice bin
47	240350654	A B C D	Insert-pan cover, glass
58	5304455650	A B C D	Screw, hex washer head, 8-15A x 0.625, low profile
*	241615456	A B C D	Energy Guide

SYSTEM

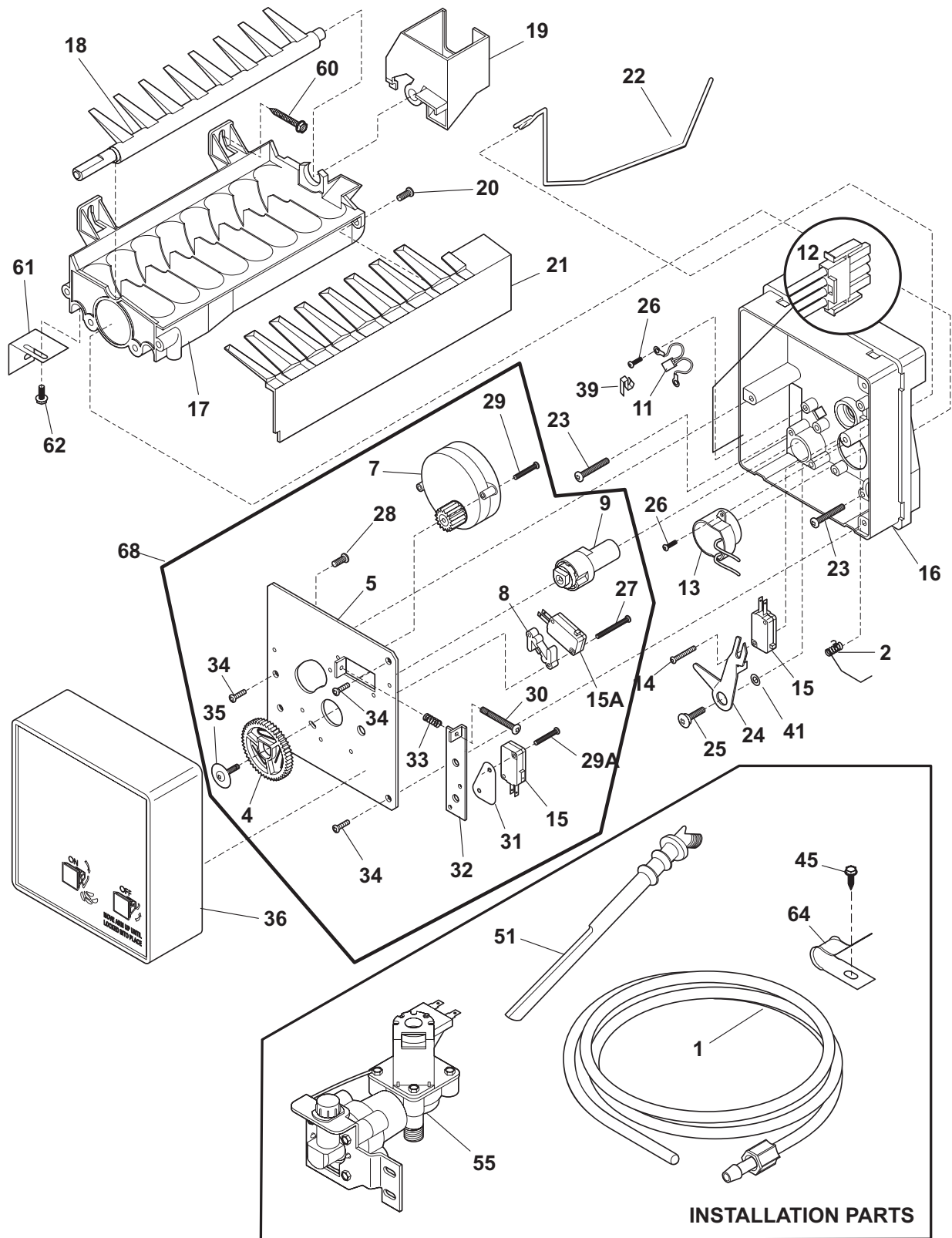


SYSTEM

Model Index: A FRT21IS6J (FRT21IS6JB2)
 B FRT21IS6J (FRT21IS6JK2)
 C FRT21IS6J (FRT21IS6JS2)
 D FRT21IS6J (FRT21IS6JW2)

POS. NO	PART NO.		DESCRIPTION
1 #	241964901	A B C D	Condenser
4 #	218944001	A B C D	Drier-filter, R134a System
6 #	241607001	A B C D	Harness-wiring, machine compt
6* #	240388701	A B C D	Wiring Harness, control box
14 #	241940103	A B C D	Heater-defrost
15 #	5303918431	A B C D	Evaporator Kit
16	5308000110	A B C D	Strap-evap/heater, aluminum, (2)
17	241801301	A B C D	Trough-drain
20	241551902	A B C D	Insulation Block
21 #	5303918202	A B C D	Thermostat-defrost, kit
22	241602010	A B C D	Base-compressor
22*	218252201	A B C D	Screw, #8 truss hd, 10-32CA x 0.500
22*	218709101	A B C D	Screw, hex head, 10-32 x 0.500
23	241659701	A B C D	Grommet, compressor
25	240491503	A B C D	Screw-compressor mtg, 1/4-28 x 1.16, (4)
26	241637401	A B C D	Pan-defrost
29 #	5303918352	A B C D	Compressor Kit
30	241707705	A B C D	Starter-PTC
32	216954300	A B C D	Clip, controller
34	240405201	A B C D	Grommet, rubber, black, cond tube/wire
41	240555002	A B C D	Screw-#8-32 X 3/8
44	215174700	A B C D	Clamp-service cord, strain relief, galv steel
45	5304455650	A B C D	Screw, hex washer head, 8-15A x 0.625, low profile
55	218909913	A B C D	Capacitor, run, 220 VAC, 15 microfarad
57	240542601	A B C D	Clip-wiring harness
58	218897002	A B C D	Screw, hex washer head, 8-32 x 0.375
59	241935604	A B C D	Shroud, cond fan motor
59*	240346701	A B C D	Tape-foam seal, shroud
59*	240359403	A B C D	Screw-fan shroud, (2)
60 #	241696605	A B C D	Motor-condenser fan
61 #	240524102	A B C D	Fan Blade, condenser fan
82	5304418225	A B C D	Roller, compressor base, rear, (2)
83	5304455655	A B C D	Rivet, flat head, 1/4 OD x 1-3/4, roller pin
85	241844501	A B C D	Tube-connector, suction
* #	240396801	A B C D	Clamp, tube/wiring, nylon, black/natural
* #	5303918330	A B C D	Heat Exchanger Kit, suction line, service
* #	5304421289	A B C D	Hot Tube Repair Kit, service

ICE MAKER



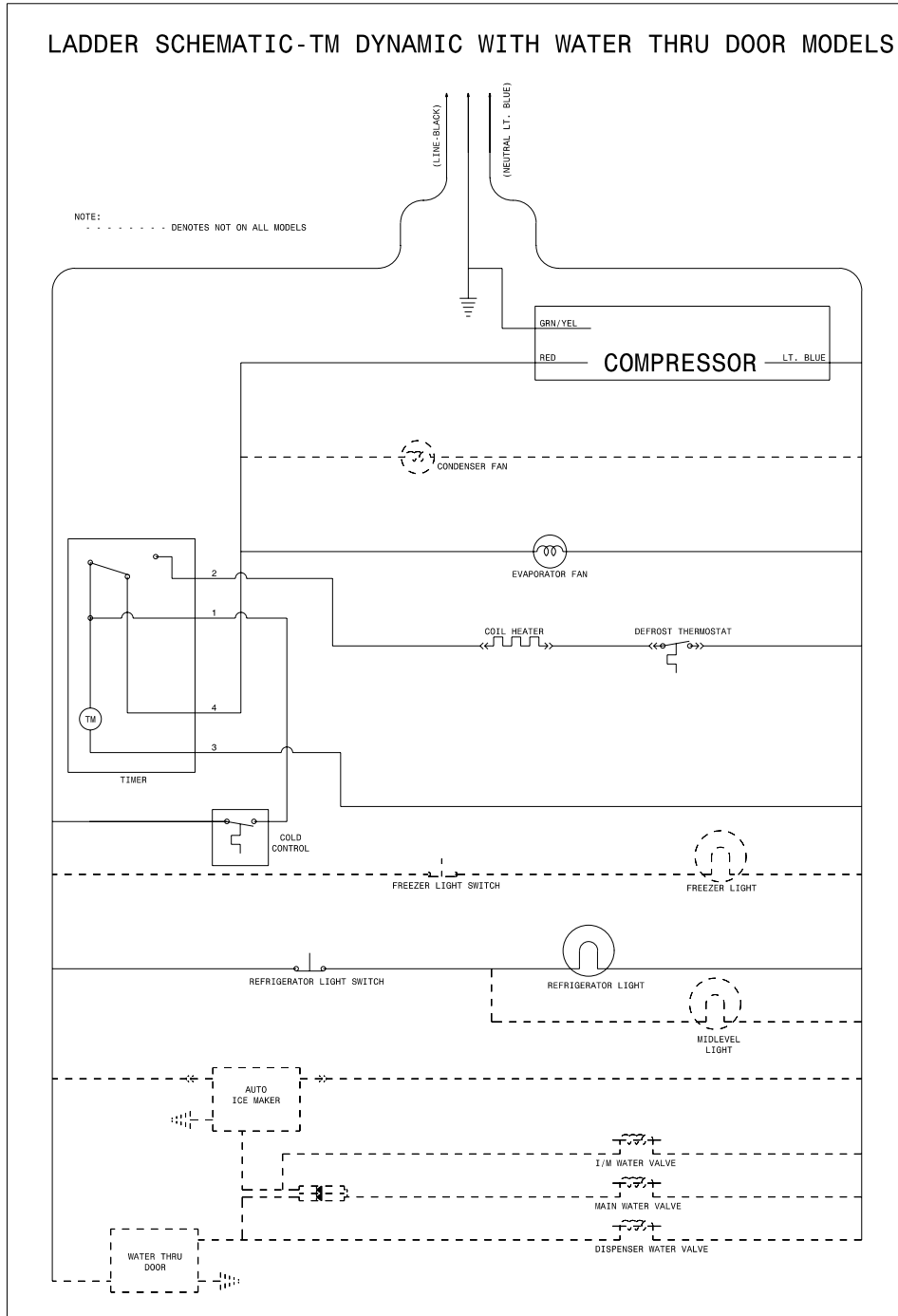
N0511151-1Florida

ICE MAKER

Model Index: A FRT21IS6J (FRT21IS6JB2)
 B FRT21IS6J (FRT21IS6JK2)
 C FRT21IS6J (FRT21IS6JS2)
 D FRT21IS6J (FRT21IS6JW2)

POS. NO	PART NO.		DESCRIPTION
1	218976915	A B C D	Tube-water inlet, inlet valve, to filter
1*	240561701	A B C D	Seal-water inlet, inlet valve, to ice maker
2	5304469396	A B C D	Spring-shutoff arm, ice maker
4	5304469403	A B C D	Gear
5	5304469399	A B C D	Mounting Plate
7 #	5304469407	A B C D	Motor-ice maker Svo
8	5304469404	A B C D	Spacer-hold switch
9	5304469402	A B C D	Cam
11	5304455695	A B C D	Thermal Cutoff, ice maker, complete assy
12 #	5304469390	A B C D	Harness-wiring
13	5304469387	A B C D	Thermostat Assy, ice maker
14	5304469394	A B C D	Screw, #5-24 x 3/4
15 #	5304469388	A B C D	Switch-micro, 2
15A#	5304469405	A B C D	Switch-micro
16	5304469379	A B C D	Housing, control
17 #	5304469413	A B C D	Mold-ice maker, with heater
18	5304469384	A B C D	Ejector-ice
19	5304469386	A B C D	Bearing & Inlet, fill cup
20	5304469391	A B C D	Screw, 8-32 x 3/8
21	5304469378	A B C D	Ice Stripper
22	5304469377	A B C D	Shut-off Arm
23	5304469392	A B C D	Screw, mold-to-support, (2)
24	5304469382	A B C D	Lever Arm
25	5304469397	A B C D	Screw, lever arm/sprt
26	5304469393	A B C D	Screw
27	5304469410	A B C D	Screw, hold switch mtg, (2)
27*	5304469406	A B C D	Insulator
28	5304469414	A B C D	Screw, #8-32 x 1/4"
29	5304469409	A B C D	Screw
29A	5304469412	A B C D	Screw, #4-24 X 3/4"
30	5304469408	A B C D	Screw-timing adj, 8-32 x 1.000
31	5304469389	A B C D	Spacer-switch
32	5304469400	A B C D	Plate-valve switch
33	5304469401	A B C D	Spring, timing adjust
34	5304469380	A B C D	Screw, #8-10*1/2
35	5304469411	A B C D	Screw
36	5304469385	A B C D	Cover-ice maker
39	5304469383	A B C D	Clamp
41	5304469381	A B C D	Washer, flat
45	5304455650	A B C D	Screw, hex washer head, 8-15A x 0.625, low profile
51	241796401	A B C D	Tube-water fill, extension
55 #	241803701	A B C D	Valve-water, single solenoid, 60 Hz, 105/120 V
55*	218709101	A B C D	Screw, hex head, 10-32 x 0.500
60	218362501	A B C D	Screw, hex washer head, 8-18AB x 1.250, spacer, (2)
61	5304469376	A B C D	Bracket-leveling, ice maker
62	5304469395	A B C D	Screw
64	5304455846	A B C D	Clamp, .31 ID, steel, water tube
68	5304469398	A B C D	Mounting Plate, assy
*	241798201	A B C D	Ice Maker, radius cube, 115 V, Svce

WIRING SCHEMATIC



WIRING DIAGRAM

