



# Warmer Drawer

FPWD2785K F

27" Electric



## More Easy-To-Use Features

- SpaceWise™ Half-Rack
- 4-Hour Auto Power-Off
- Bread Proofing Setting
- Fully Extendable Drawer
- Power Indicator Light

A.D.A. Compliant\*

## Capacities

1.3 Cu.Ft. Drawer Capacity

## Overall Exterior Dimensions

Height	11-1/4"
Width	27"
Depth	23-3/8"

## Available in:



Stainless  
(F)

\*When properly installed, meets the appliance standards in the American with Disabilities Act and the Architectural Barriers Act Accessibility Guidelines as published by the United States Access Board on June 23, 2004.

## Signature Features



### Real Stainless Steel

Real stainless steel with a protective coating that reduces fingerprints and smudges so it's easy to clean.



### Pro-Select™ Controls

With a temperature range from 80° F to 190° F, you can proof bread or keep your entire meal warm.



### Large Capacity

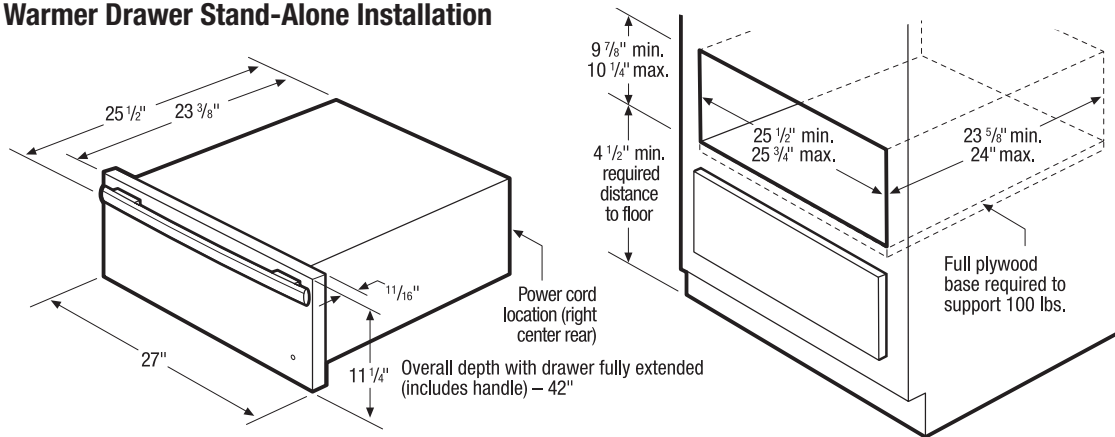
This large 1.3 cubic foot capacity drawer, along with the half-rack that creates more space, makes keeping your meal warm easy.



### Adjustable Humidity Control

The humidity level can be adjusted to keep food from drying out before serving.

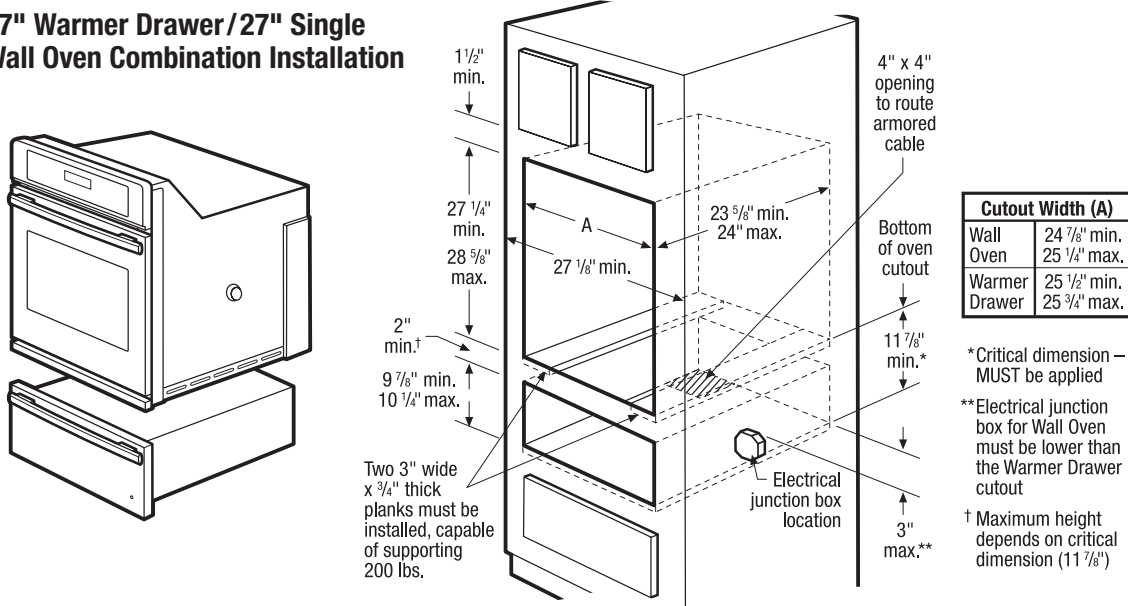
**Warmer Drawer Stand-Alone Installation**



**Warmer Drawer Specifications**

- Product Shipping Weight (approx.) - 55 Lbs.
- Voltage Rating - 120V / 450W / 60 Hz / 15 Amps
- Connected Load (kW Rating) @ 120 Volts = 0.5 kW (For use on adequately wired 120V, dedicated circuit having 2-wire service with a separate ground wire. Appliance must be grounded for safe operation.)
- Amps @ 120V = 3.8 Amps
- Recommended Circuit Breaker - 15 Amps
- Always consult local and national electric codes.
- Full plywood base required, capable of supporting 100 Lbs.
- Base must be level and cabinet front must be square.
- Warmer Drawer can be used alone, or is approved to be used in combination with any Frigidaire® Wall Oven. (Refer to *Combination Installation Specifications and drawing on this page.*)
- Warmer Drawer is approved to be used in combination with any Frigidaire® Built-In Microwave and/or Electric Single Wall Oven.

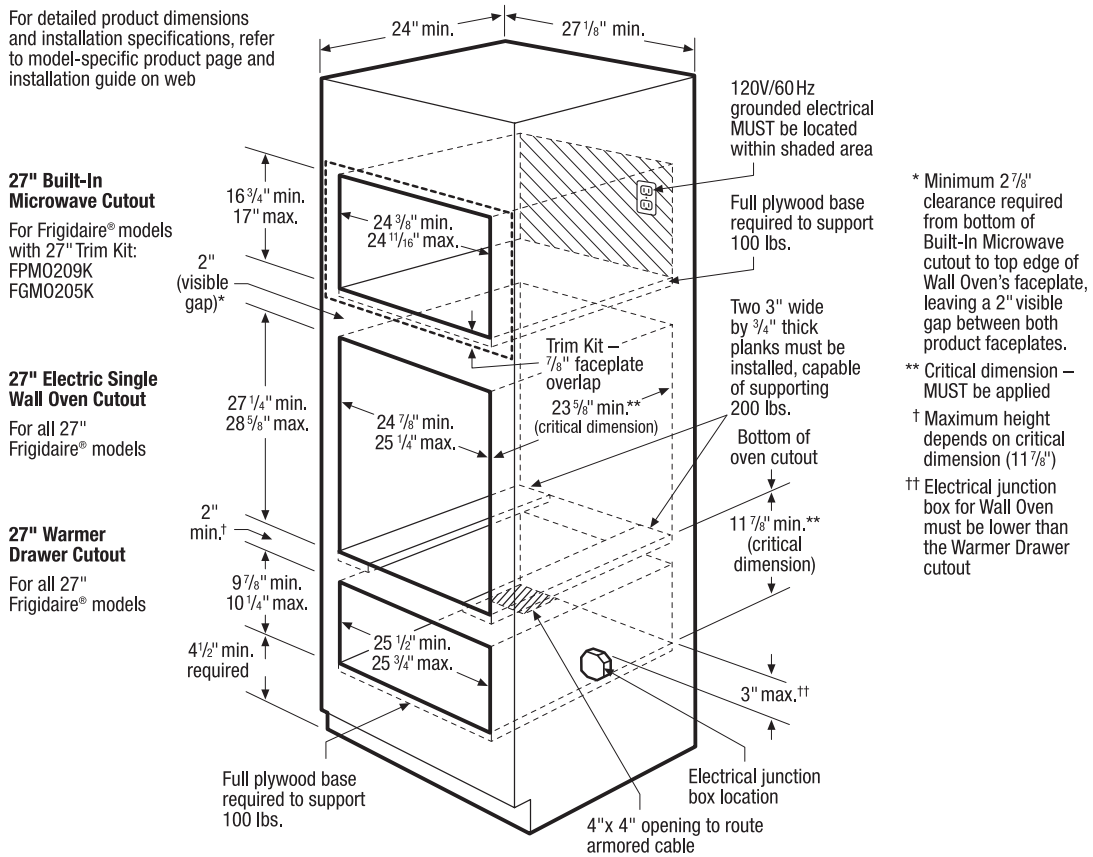
**27" Warmer Drawer / 27" Single Wall Oven Combination Installation**



**Warmer Drawer / Wall Oven Combination Specifications**

- To support Wall Oven when using in combination with Warmer Drawer, two 3"-wide x 3/4"-thick planks must be installed as a base, capable of supporting 200 Lbs. Do NOT use full base, since planks are necessary to allow for proper air displacement.

*Note: For planning purposes only. Refer to Product Installation Guide on the web at [frigidaire.com](http://frigidaire.com) for detailed instructions.*



**27" Combination Installation Specifications**

- Always consult local and national electric codes. (Refer to product-specific electrical specifications on this page.)
- Minimum 23-5/8" deep cutout dimension is critical for proper combination installation, to ensure that each built-in product's faceplate will fit flush against cabinet front.
- Bases must be level and cabinet front must be square.
- Minimum 4-1/2" required distance from bottom of Warmer Drawer cutout to floor.
- Respect critical dimensions as noted for proper installation of built-in products.
- Minimum 21" clearance needed for Wall Oven door depth when open.

**27" Built-In Microwave Specifications**

- For built-in installation, microwave MUST be installed with optional 27" Trim Kit which includes Bottom Duct Assembly – shipped in separate box, ordered by individual part number.
- Voltage Rating - 120V / 60 Hz / 15 or 20 Amps
- Connected Load (kW Rating) @ 120 Volts = 1.7 kW (For use on adequately wired 120V, dedicated circuit having 2-wire service with a separate ground wire. Appliance must be grounded for safe operation.)
- Amps @ 120 Volts = 14.3 Amps
- Full base of solid plywood or similar material required, capable of supporting 100 Lbs.
- Minimum 2-7/8" clearance required from bottom of Built-In Microwave cutout to top edge of Wall Oven's faceplate, leaving a 2" visible gap between both product faceplates.

**27" Electric Single Wall Oven Specifications**

- Single phase 3- or 4-wire cable, 120/240 or 120/208 Volt, 60 Hertz AC only electrical supply with ground required on separate circuit fused on both sides of line.
- For detailed electrical requirements, refer to model-specific product page and installation guide on web.
- To support Wall Oven when using in combination with Warmer Drawer, two 3"-wide x 3/4"-thick planks must be installed as a base, capable of supporting 200 Lbs. Do NOT use full base, since planks are necessary to allow for proper air displacement.

**27" Warmer Drawer Specifications**

- Voltage Rating - 120V / 450W / 60 Hz / 15 Amps
- Connected Load (kW Rating) @ 120 Volts = 0.5 kW (For use on adequately wired 120V, dedicated circuit having 2-wire service with a separate ground wire. Appliance must be grounded for safe operation.)
- Amps @ 120V = 3.8 Amps
- Full base of solid plywood or similar material required, capable of supporting 100 Lbs.

**Note:** For planning purposes only. Refer to Product Installation Guide on the web at [frigidaire.com](http://frigidaire.com) for detailed instructions.