

Will Need* (Not Included)

Clamp, 1/4" Diameter
with a 3/8" National Pipe Thread
connector
two (2) for 12-14 gauge wire

Available at:
Plumbing Supply Store
Plumbing Supply Store
Hardware Store

WARNING

Electric Shock Hazard

Connect electrical power at the fuse box or circuit breaker box before beginning installation. Failure to follow this warning could result in death or serious injury.

Dishwasher and locate connections. See Step 4.

Dishwasher where there is easy access to drain, electrical lines. The best location is on either side of a sink for access to existing plumbing and ease of access. See Step 4.

Hot water, and drain connections are not the same for all models of dishwashers. Check the length of home utilities. See Step 4.

Grounded, 120 volt AC only, electrical supply is required. See Steps 4 and 8.

Drain hose will be connected to a food disposer the first time, knock out plug located inside unit. See Steps 4 and 6.

Drain hoses can cause problems. See Step 4.

Hot water need to be connected to a hot water supply line to insure an adequate fill. See Step 7.

Installation differs. You will need additional tubing above to complete your installation. See Step 7.

Check prior to making the final connection to the wiring of dishwasher's filter screen. See Step 7.

Unit will look, sound, and perform best when level. See Step 5. (NOTE: If levelers are being used during installation, make sure the floor is flat and free of obstruction.)

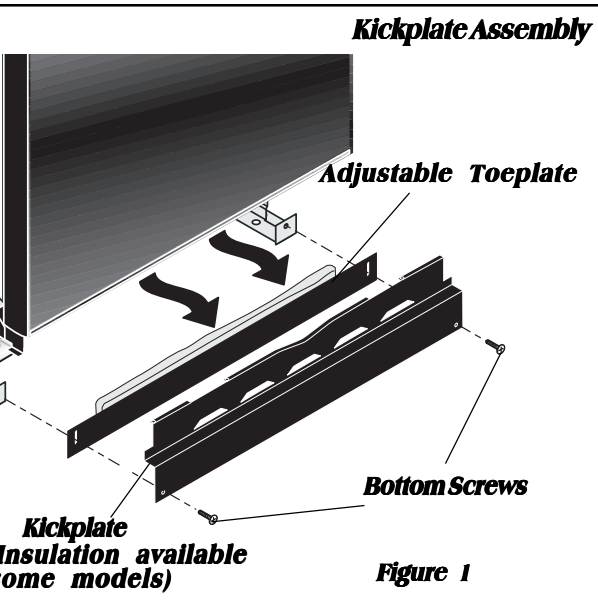
See Step 9.

Installation Preparation 2

Remove two (2) screws at front of the kickplate assembly using a screw driver.

Remove the kickplate and push it forward to remove. See Figure 1.

It may be necessary to remove the outer door for installation. If necessary, you might find it more convenient to do so. You will find instructions for removing door in Step 10.



Remove the water inlet valve behind kickplate on bottom left corner of unit. The valve has a 3/8" NPT female fitting.

Remove the tailpiece (not included) with pipe thread tape (or apply plumber's putty) and thread it into water inlet valve.

Tighten with a wrench, leaving elbow pointing toward the back. To prevent bending of bracket or breaking of valve, do not over-tighten.

Caution: For best results, it is recommended, but not required that the bottom of the dishwasher (including the bottom of the countertop) be sealed with an oil based paint or polyurethane to prevent possible steam/leakage.

Roughing In

3

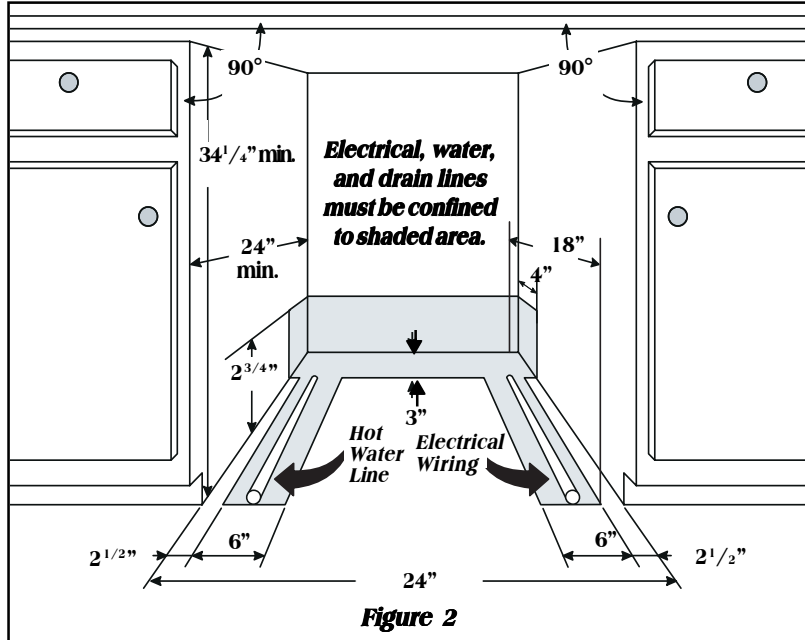
WARNING



Electric Shock Hazard

Observe all local codes and ordinances for electrical and plumbing connections. All electrical and plumbing work should be performed by qualified persons. Failure to follow this warning could result in death or serious injury.

1. Make sure your location has the right drain, water, and electrical outlets to make the connections. Do not install unit under a cooktop range. Damage to plastic tub will occur.



IMPORTANT: For proper operation and appearance of unit, cabinet opening should have dimensions as shown in Figure 2. If unit is to be placed in a corner, there must be at least a 2-inch side clearance to open door.

2. Remove any carpet from area to provide motor clearance. Floor should be flat and free of any obstruction.

IMPORTANT: Drain, water, and electrical lines should be roughed-in before going any further.

WARNING



Electric Shock Hazard

Electrical, water, and drain lines must be confined to shaded areas in Figure 2. Electric conductors, water, and drain could be damaged. Failure to follow these instructions could result in fire or electric shock.

NOTE: If dishwasher is installed at end of a cabinet line, sides and back must be fully enclosed.

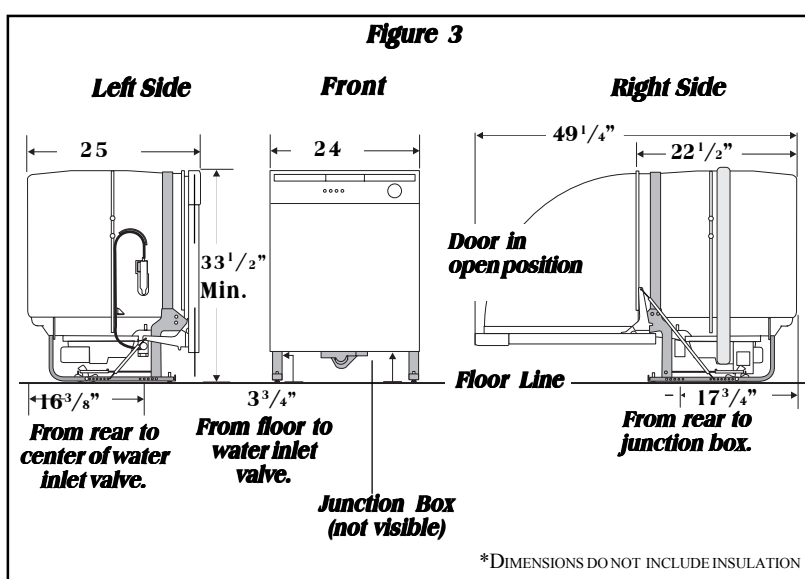
NOTE: You can order a Cabinet Seal Kit (Kit # 154528701) by contacting your dealer or parts supplier. This kit provides a seal between the unit and cabinets once installation is complete. (This kit is included on select models).

Connections For Electrical, Water, and Drain 4

IMPORTANT: Do not cross drain, water, and electrical lines in front of dishwasher motor or frame.

Locating the Connections

1. Review dimensions in Figure 3 to locate dishwasher's drain, water, and electrical connections.
2. All connections must be made in shaded area in Figure 2.



IMPORTANT: Disconnect power before starting.

Electrical

1. The dishwasher operates on a 120 volt, 60 Hz AC. Provide a separate circuit with a fuse or circuit breaker at least 15 amps (20 amps if connected with dishwasher more than 20 amps).
2. Note the locations of electrical supply and dishwasher electrical junction box on right underside of unit. See Figure 3.
3. Cut access hole in shaded area shown in Figure 2.
4. Pull electrical cable through hole into installation area.

Water

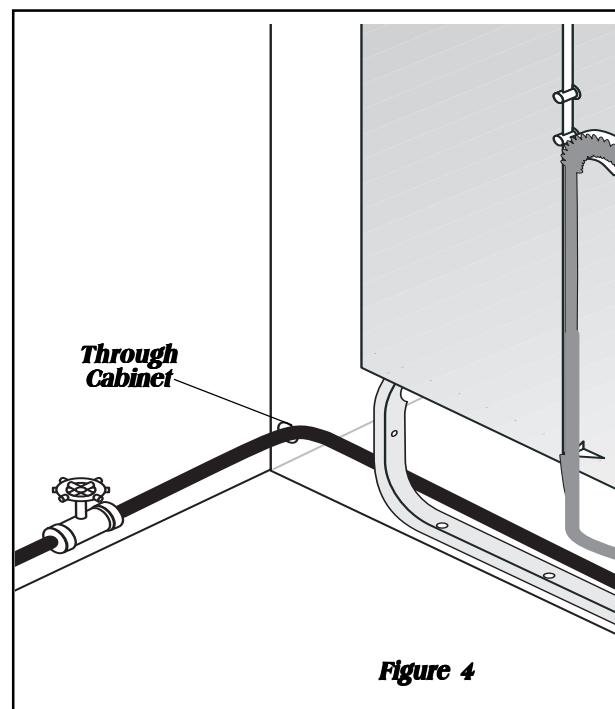
1. Determine where you will connect to hot water supply line. See Figure 3 and note the location of water inlet valve.

CAUTION

Property Damage

Do not use the furnished drain hose or a rubber hose for the water supply line. Either of these hoses could cause flooding may occur and cause property damage.

2. Be sure water inlet valve is protected from freezing. Freezes and ruptures, flooding may occur.
3. Determine amount of tubing needed to connect water supply to the unit's water inlet valve. Copper tubing with a minimum 3/8" OD. High-pressure and high-temperature plastic tubing with a minimum inner diameter of 3/8". A shut-off valve installed outside dishwasher is best. See Figure 4.

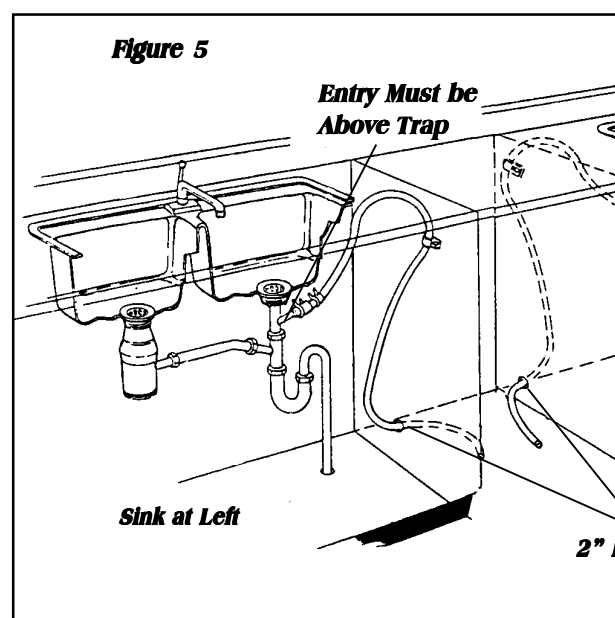


4. Cut water access hole in shaded area in Figure 2.
5. Route water supply line into installation area.

IMPORTANT: Incoming hot water temperature should be at least 120°F (49°C). Water pressure should be between 20-120 psi.

Drain

1. Review Figures 5, 6 and 7 to see the different methods of connecting the dishwasher to drain system. Choose method that works best for your need.



2. If you connect to a sink drain, entry will need to be above trap. A "Y" branch tailpiece and connector kit, not included, make this method easier and includes all needed instructions. See Figure 5.

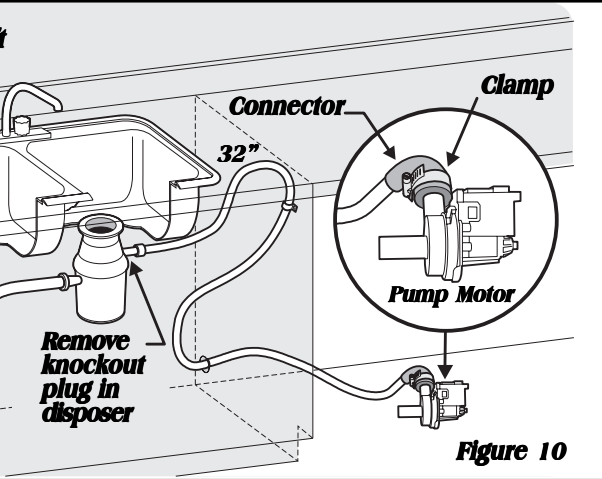


Figure 10

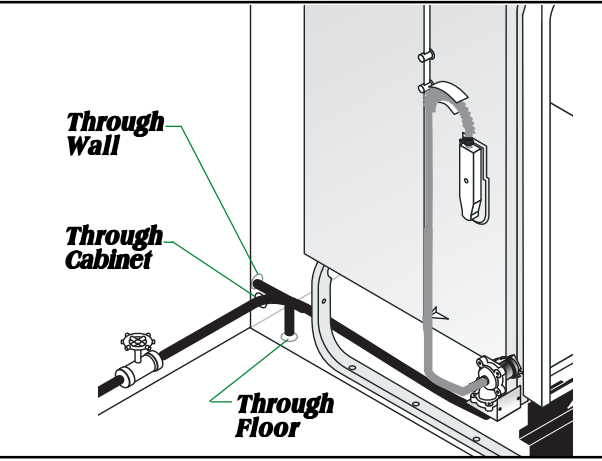
loop must be at least 32" high from the floor drainage.

7 Installing the Water Connection

CAUTION

Property Damage
 Disconnect water supply within 6" of the water inlet valve. Damage to the valve may occur.
 Do not allow any sealer, dirt, or other objects enter the valve. A clogged filter screen may occur.
 The dishwasher is placed where the water inlet valve is not subject to freezing. If the valve freezes, it may rupture and cause property damage.

Before connecting it to water inlet valve to prevent clogging of filter screen. Place a bunched towel under the faucet to prevent splashing. Open water supply valve for a few minutes and let water drain into a pan. **Turn off water supply and shut-off valve.**



Connect the water supply line to water inlet valve as shown in Figure 11. Pulling water supply line into 90° elbow, tightly connect to water inlet valve. Supply line must be supported by brackets, scales, chips, and lubricants. Turn on water supply and check for leaks. If the water inlet valve clogs, make sure water supply is off. Tighten (4) screws at inlet end of valve and clean filter screen.

8 Installing the Electrical Connection

WARNING



Electric Shock Hazard
 Disconnect electrical power has been disconnected at fuse or circuit breaker box.
 The dishwasher must be connected to a grounded metal, equipment-grounding system. The equipment-grounding conductor must be run with the circuit conductors and the appliance's equipment grounding terminal. It is the consumer's responsibility to contact a qualified electrician to make sure the electrical installation meets the National Electrical Code and local codes.
 Do not connect the dishwasher to the power supply until the power supply is permanently grounded.
 All electrical connections must be enclosed in the junction box. Do not use aluminum or copper lead wires.
 Do not use aluminum building wire to stranded copper wire. This must be done by a qualified electrician using materials that meet UL and local codes.
 Do not use an extension cord. Such use can result in fire, electric shock, or other personal injury.
 Failure to follow these instructions could result in death or

Electrical Supply

1. Remove junction box cover and pull house wiring into junction box. See Figures 12 and 13.
2. Use a UL listed conduit connector, (not included), at box to stabilize wiring.

IMPORTANT: Be sure electrical cable is not routed behind dishwasher's motor.

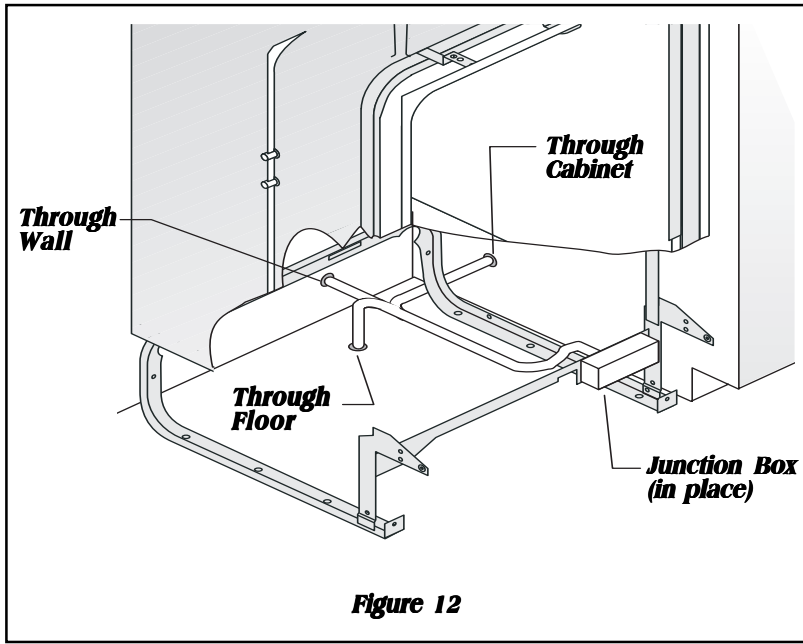


Figure 12

3. Inside junction box, attach ground wire under head of grounding screw and tighten. See Figure 13.
4. Connect incoming black lead to dishwasher's black lead and incoming white lead to dishwasher's white lead with wire nuts or other suitable connectors, (not included). Wire nuts should be tight.

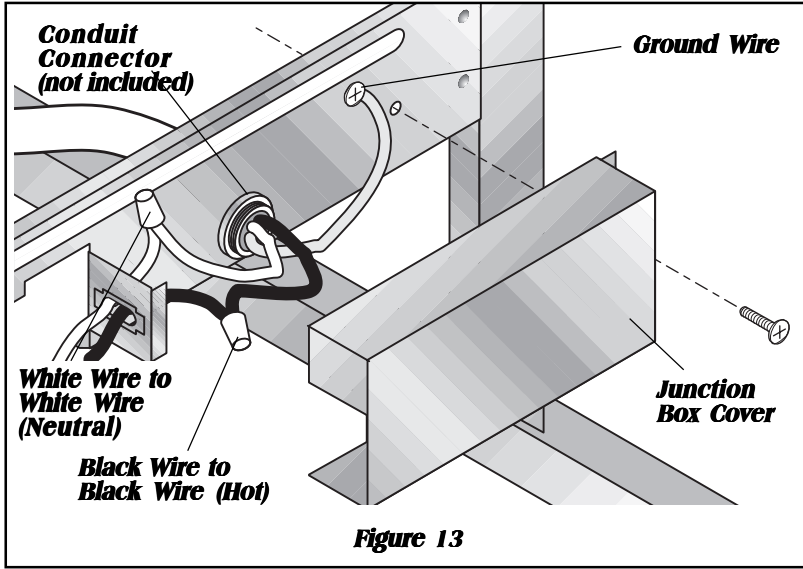


Figure 13

5. Replace junction box cover. See Figure 13.

9 Securing the Dishwasher

The dishwasher must be secured to keep it from tilting when door is opened. Choose one of the methods described below to secure unit.

Countertop Anchoring

1. Install the Cabinet Seal Kit (Instructions included in Kit)
2. Replace Kickplate. See Figure 1
3. Adjust levelers (see Step 5) so mounting brackets touch underside of countertop. **IMPORTANT:** Dishwasher must rest on floor—do not hang from countertop. See Figure 14.
4. Tub needs to be even with the front of adjoining cabinets.
5. Screw mounting brackets firmly to countertop using screws provided in literature packet.
6. Open and close dishwasher door slowly. If door hits mounting brackets lower the dishwasher in front and rear.

Note: Open and close door to make sure it does not hit surrounding cabinets or countertop.

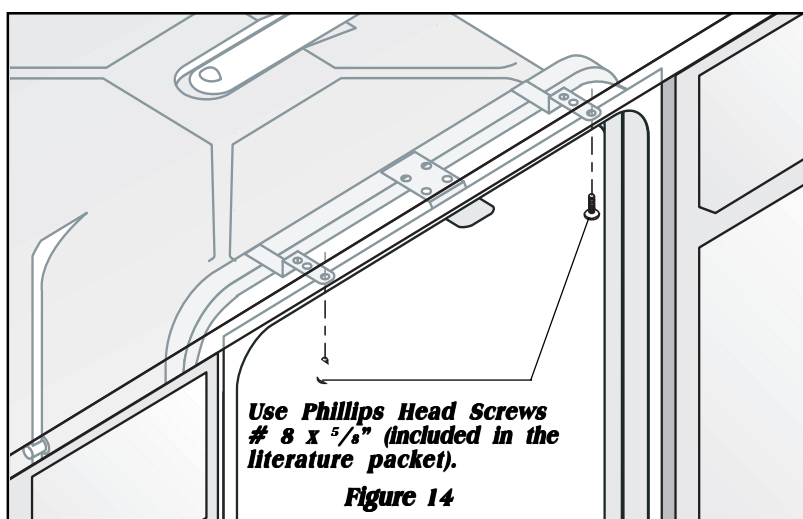


Figure 14

Floor Anchoring

This procedure is difficult and should be used only if mounting brackets cannot be used.

1. Screw 1/4" lag screws, (not included), through hole in frame rail. See Figure 15.
2. Use expansion fasteners if floor is concrete.

Before starting the dishwasher

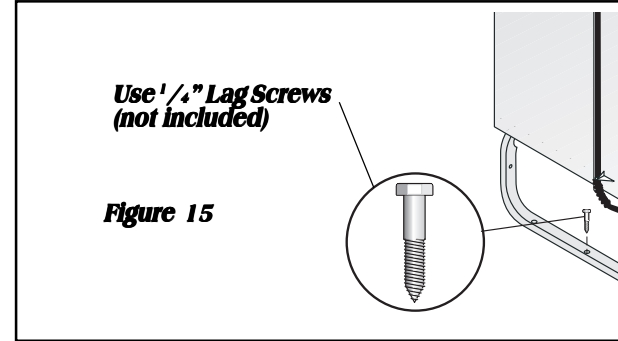


Figure 15

Note: If mounting your dishwasher to the countertop or to the floor is not a desirable option, you can order the side mount kit, 154477, by contacting your dealer or parts supplier. This kit allows you to install the dishwasher by securing it to cabinets or partitions on either side of the dishwasher. This kit utilizes the front frame of the dishwasher to secure the unit to the cabinet or partition.

Installing Wood Panel Removing & Replacing D

WARNING

Electric Shock Hazard
 Disconnect electrical power at the fuse or circuit breaker box before beginning installation.
 Failure to follow this warning could result in death or serious injury.

CAUTION

Cut Hazard
 Metal color panels are sharp and should be handled with care. Wear gloves on hands.
 Failure to follow this warning could result in injury.

To Install a Custom Wood Panel

The dishwasher door panel can be customized to match your cabinets. This will require a kit that includes a mid-door panel and bottom trim, heavy-duty door springs and instructions. Kits are available from your dealer or parts supplier.
Note: Custom Wood Panels are not available on 1000 and 4000 Series Dishwashers.

To Remove and Replace Outer Door Panel

1. Unlatch and open door. Using a Phillips head screw driver, remove two (2) screws from inner door. Save screws to reassemble. See Figure 16a.
2. Close and latch door while holding both sides.
3. Place one hand on each side of door and pull down at top approximately 1/4". Pull entire door assembly toward you to remove. See Figure 16b.

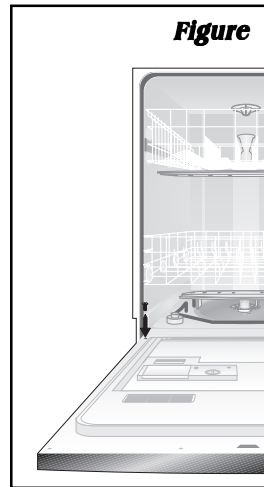


Figure 16a

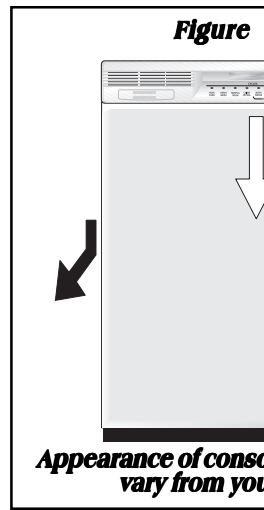


Figure 16b

Appearance of console may vary from yours.