

Viking Installation Guide



Viking Range Corporation

111 Front Street

Greenwood, Mississippi 38930 USA

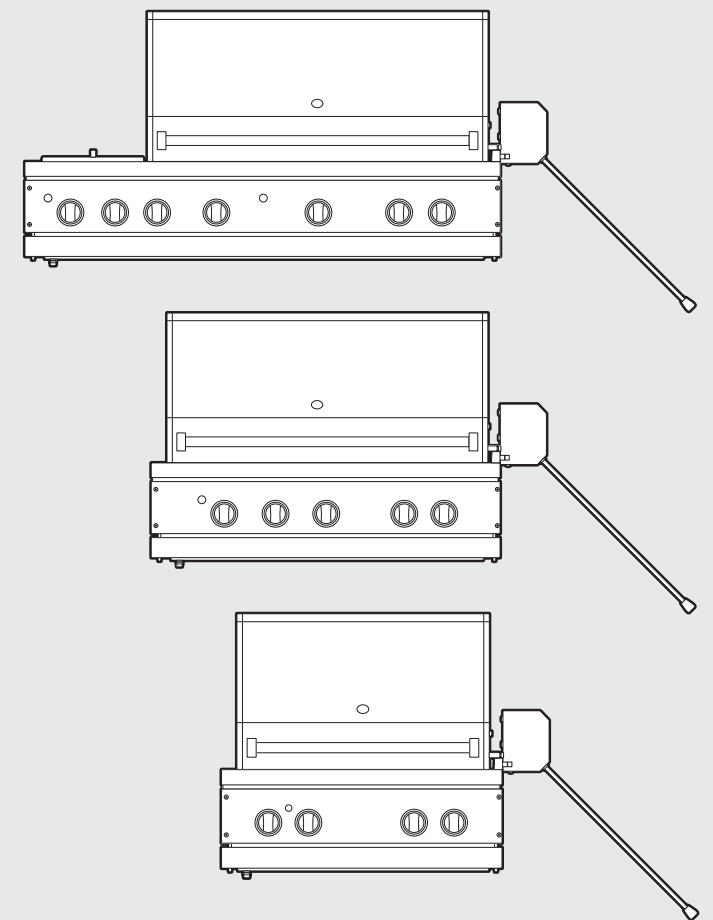
(662) 455-1200

For product information,

call 1-888-VIKING1 (845-4641)

or visit the Viking Web site at

vikingrange.com



Outdoor Gas Grills



Table of Contents

Important Information	3
T-Series	5
Dimensions (30" and 41")	5
Specifications (30" and 41")	6
Dimensions (53")	7
Specifications (53")	8
E-Series	9
Dimensions (30" and 41")	9
Specifications (30" and 41")	10
Dimensions (53")	11
Specifications (53")	12
General Information	13
Built-In information	14
Clearance Dimensions (30")	15
Clearance Dimensions (41")	16
Clearance Dimensions (53")	17
Cutout Dimensions (30")	18
Cutout Dimensions (41")	19
Cutout Dimensions (53")	20
Ventilation for Built-In Installations	21
Gas and Electrical Connection	22
Natural Fixed Piping Connection	23
LP/Propane Fixed Piping Connection	24
LP/Propane Tank Requirements	25
LP/Propane Tank Connection	26
Leak Testing	27
Burner Adjustment	29
Rotisserie System	31
Performance Checklist	33
Final Preparation	33
Service & Registration	34

IMPORTANT – Please Read and Follow!

- Before beginning, please read these instructions completely and carefully.
- Do not remove permanently affixed labels, warnings, or plates from product. This may void the warranty.
- Please observe all local and national codes and ordinances.
- The installer should leave these instructions with the consumer who should retain for local inspector's use and for future reference.

Installation must conform with local codes or in the absence of codes, the National Fuel Gas Code, ANSI Z223.1.

In Canada: Installation must be in accordance with the current CSA-B149.1, Natural Gas and Propane Installation Code or CSA-B149.2, Propane Storage and Handling Code and/or local codes. For units with an external electrical source, when installed, must be electrically grounded in accordance with local codes or with the National Electrical code ANSI/NFPA70, or Canadian Electrical code, CSA C22.1

IMPORTANT – Please Read and Follow!

⚠ WARNING

FOR YOUR SAFETY

If not installed, operated and maintained in accordance with the **manufacturer's** instructions, this product could expose you to substances in fuel or fuel combustion which can cause death or serious illness and which are known to cause cancer, birth defects or other reproductive harm.

For example, benzene is a chemical which is part of the gas supplied to the cooking product. It is consumed in the flame during combustion. However, exposure to a small amount of benzene is possible if a gas leak occurs. Formaldehyde and soot are by-products of incomplete combustion. Properly adjusted burners with a bluish rather than yellow flame minimize incomplete combustion.

⚠ WARNING

This outdoor gas grill is not intended to be installed in or on recreational vehicles and/or boats.

⚠ WARNING

This appliance is not fused. Installer must install a ground fault interrupt.

⚠ WARNING

ELECTRICAL SHOCK HAZARD

This appliance is equipped with a 3' (91.4 cm) 3-prong power cord with a grounding plug for your protection against shock hazard and should be plugged directly into a properly grounded receptacle. Do not cut or remove the grounding prong from this plug. This unit is not fused and installer must install a GFI. Unit must be grounded in accordance with local codes or with the National Electrical Code ANSI/NFPA 70, or the Canadian Electrical Code, CSA C22.1.

⚠ WARNING

EXCESSIVE WEIGHT HAZARD

Use two or more people to move and install this unit. Failure to follow this instruction can result in back or other injury.

⚠ DANGER

FOR YOUR SAFETY

If you smell gas:

1. Shut off gas to the appliance.
2. Extinguish any open flame.
3. Open lid.
4. If odor continues, keep away from the appliance, immediately call your gas supplier or your fire department.

⚠ WARNING

FOR YOUR SAFETY

1. Do not store or use gasoline or other flammable vapors and liquids in the vicinity of this or any other appliance.
2. Any LP cylinder not connected for use shall not be stored in the vicinity of this or any other appliance.

⚠ WARNING

Keep electrical supply cord and the fuel supply hose away from heated surfaces.

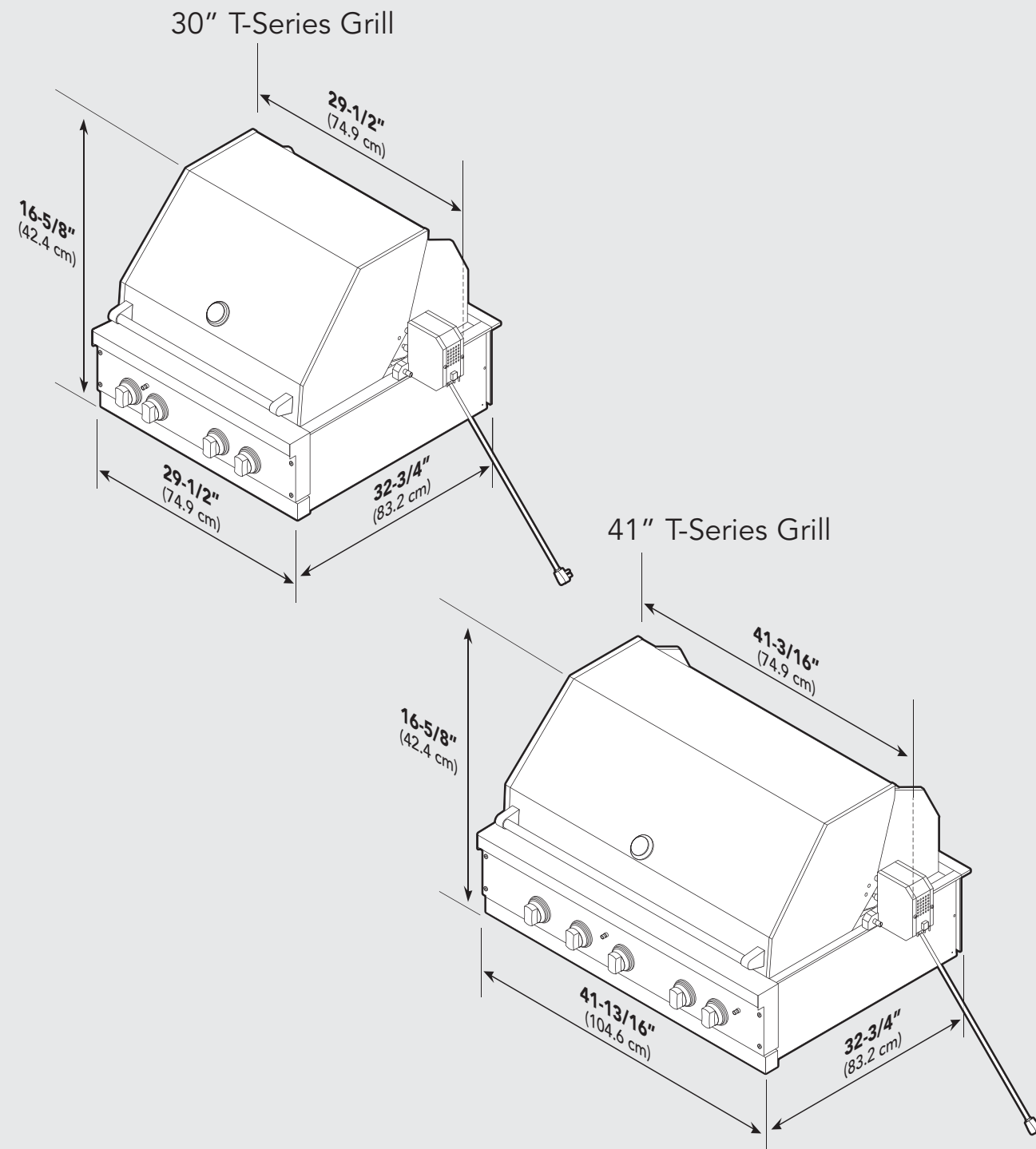
⚠ CAUTION

Conversions should only be performed by an authorized service technician.

⚠ CAUTION

Before placing into operation, always check for gas leaks with a soapy water solution. **DO NOT USE AN OPEN FLAME TO CHECK FOR LEAKS.**

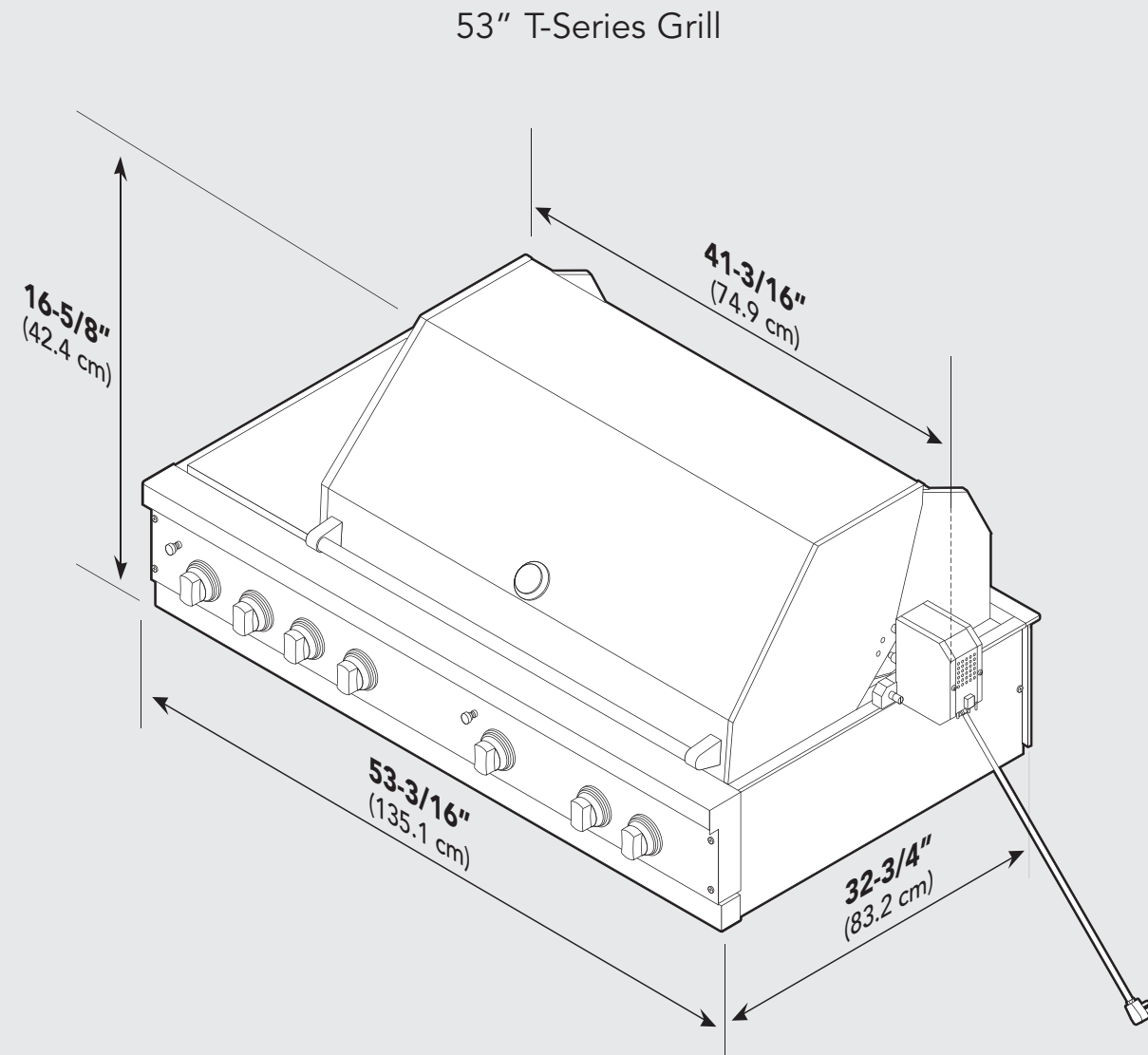
Dimensions (T-Series Grills)



Specifications (T-Series Grills)

30"W. & 41"W. T-Series Grills					
Description	VGBQ030T	VGBQ300T	VGIQ300T	VGBQ410T/ VGIQ410T	VGBQ412T/ VGIQ412T
Cutout width	28-5/8" (72.7cm)	28-5/8" (72.7cm)	28-5/8" (72.7cm)	40-1/4" (102.2cm)	40-1/4" (102.2cm)
Cutout depth	28" (71.1 cm)				
Cutout height	10-1/4" (26.0 cm)				
Overall width	29-1/2" (74.9 cm)	29-1/2" (74.9 cm)	29-1/2" (74.9 cm)	40-3/16" (104.6 cm)	40-3/16" (104.6 cm)
Overall depth	32-3/4" (83.2 cm)				
Gas requirements	Natural: standard residential 1/2" (1.3 cm) ID gas service line. LP/Propane: equipped with high capacity hose/regulator assembly for connection to standard 5gal, 20 lb. LP/Propane gas cylinder with Type 1, QCC-1 connection or standard residential 1/2" (1.3 cm) ID gas service line.				
Electrical requirements	9 volt DC battery for electronic ignition 120VAC/60HZ - 2' (61.0 cm) power cord supply cord with 3-prong grounded plug attached to rotisserie motor (except 030)				
Grill burner rating	25,000 BTU Nat./22,500 BTU LP (7.3 kW Nat./6.5 kW LP)				
TruSear™ burner rating (If applicable)	N/A	N/A	30,000 BTU Nat./LP 8.3 kW Nat./LP		
Smoker burner rating (If applicable)	N/A	12,500 Nat./ 10,500 LP BTU (3.7 kW Nat./ 3.1 kW LP)	N/A	12,500 Nat./ 10,500 LP BTU (3.7 kW Nat./ 3.1 kW LP)	
Side burner rating (If applicable)	N/A	(2) 15,000 BTU Nat./13,500 BTU LP (4.4 kW Nat./4.0 kW LP)			
Rotisserie burner rating (If applicable)	N/A	(1) 15,000 Nat./13,500 BTU LP (4.4 kW Nat./4.0 kW LP)			
Approximate shipping weight	325 lbs. (147 kg)	325 lbs. (147 kg)	325 lbs. (147 kg)	380 lbs. (172 kg)	350 lbs. (159 kg)

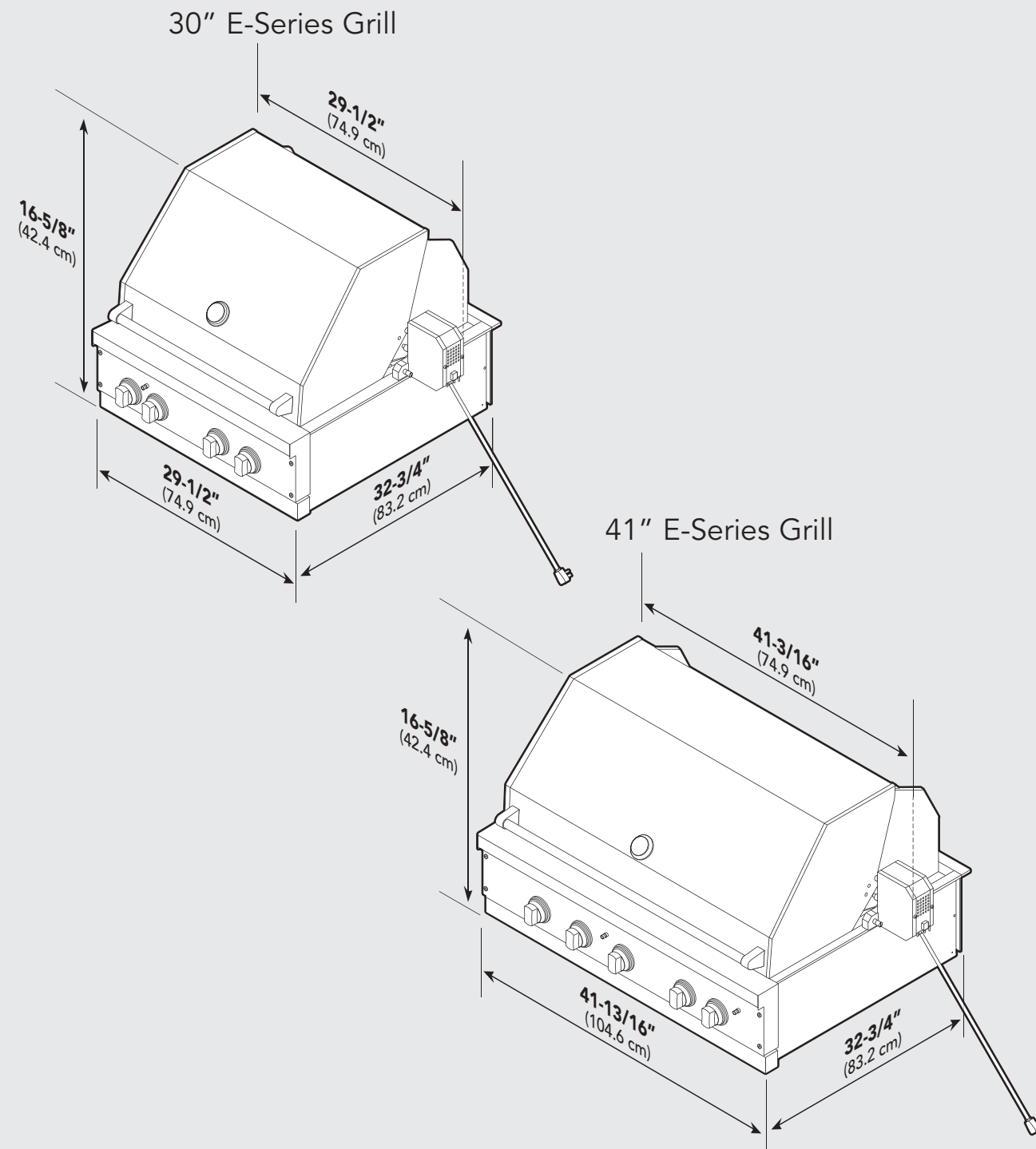
Dimensions (T-Series Grills)



Specifications (T-Series Grills)

53"W. T-Series Grills		
Description	VGBQ530T/VGIQ530T	VGBQ532T/VGIQ532T
Cutout width	52-1/4" (132.7 cm)	
Cutout depth	28" (71.1 cm)	
Cutout height	10-1/4" (26.0 cm)	
Overall width	53-13/16" (135.1 cm)	
Overall depth	32-3/4" (83.2 cm)	
Gas requirements	Natural: standard residential 1/2" (1.3 cm) ID gas service line. LP/Propane: equipped with high capacity hose/regulator assembly for connection to standard 5gal, 20 lb. LP/Propane gas cylinder with Type 1, QCC-1 connection or standard residential 1/2" (1.3 cm) ID gas service line.	
Electrical requirements	9 volt DC battery for electronic ignition 120VAC/60HZ - 2' (61.0 cm) power cord supply cord with 3-prong grounded plug attached to rotisserie motor	
Grill burner rating	25,000 BTU Nat./22,500 BTU LP (7.3 kW Nat./6.5 kW LP)	
TruSear™ burner rating (If applicable)	30,000 BTU Nat/LP 8.3 kW Nat./LP	30,000 BTU Nat/LP 8.3 kW Nat./LP
Smoker burner rating (If applicable)	12,500 Nat./10,500 LP BTU (3.7 kW Nat./3.1 kW LP)	
Side burner rating (If applicable)	(2) 15,000 BTU Nat./13,500 BTU LP (4.4 kW Nat./4.0 kW LP)	
Rotisserie burner rating (If applicable)	(2) 15,000 Nat./13,500 BTU LP (4.4 kW Nat./4.0 kW LP)	15,000 Nat./13,500 BTU LP (4.4 kW Nat./4.0 kW LP)
Approximate shipping weight	490 lbs. (222 kg)	460 lbs. (209 kg)

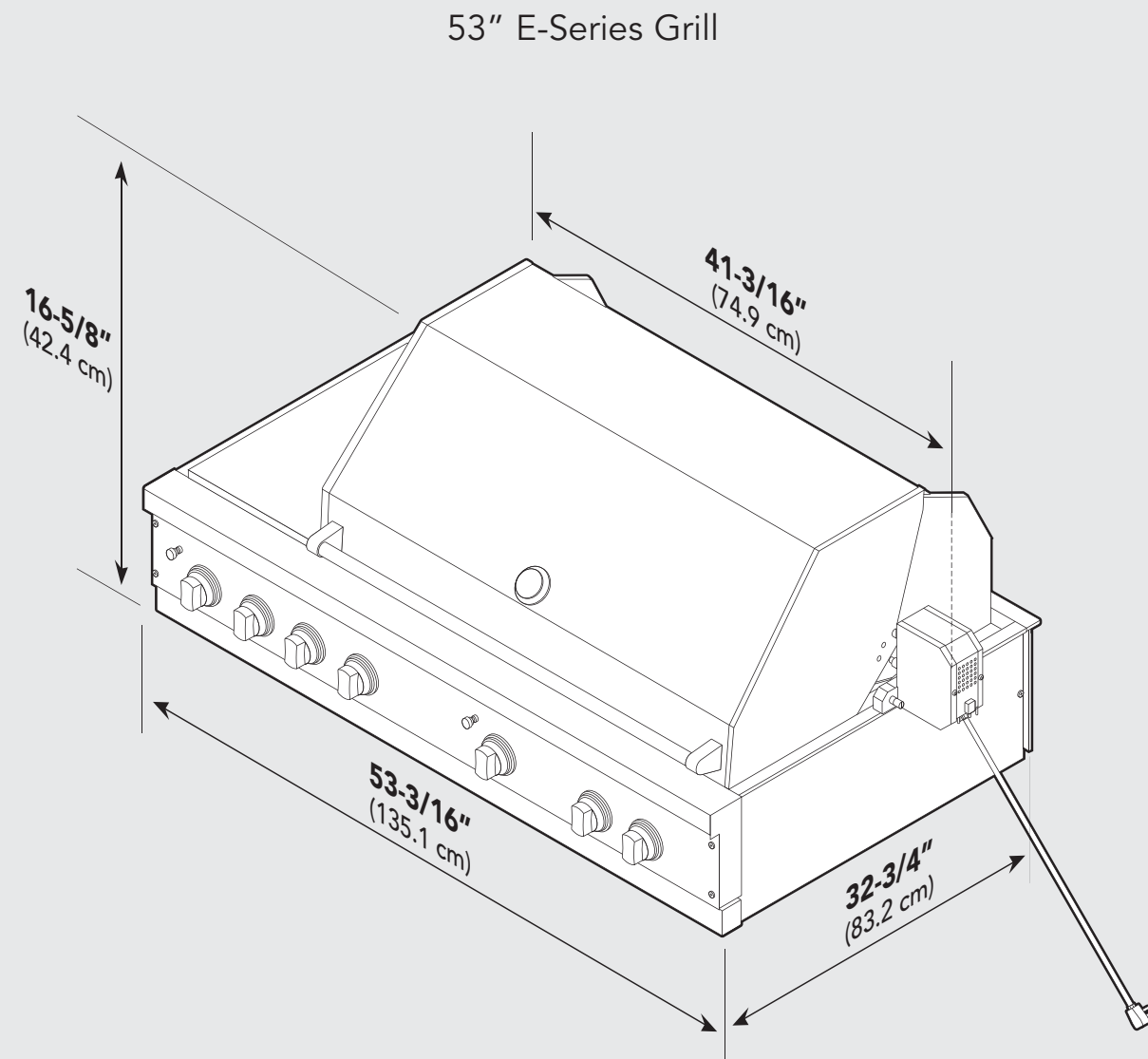
Dimensions (E-Series Grills)



Specifications (E-Series Grills)

30"W & 41"W E-Series Grills			
Description	VGBO300E	VGBO410E/VGIO410E	VGBO412E
Cutout width	28-5/8" (72.7cm)	40-1/4" (102.2cm)	
Cutout depth	28" (71.1 cm)		
Cutout height	10-1/4" (26.0 cm)		
Overall width	29-1/2" (74.9 cm)	40-3/16" (104.6 cm)	40-3/16" (104.6 cm)
Overall depth	32-3/4" (83.2 cm)		
Gas requirements	Natural: standard residential 1/2" (1.3 cm) ID gas service line. LP/Propane: equipped with high capacity hose/regulator assembly for connection to standard 5gal, 20 lb. LP/Propane gas cylinder with Type 1, QCC-1 connection or standard residential 1/2" (1.3 cm) ID gas service line.		
Electrical requirements	120VAC/60HZ - 3' (91.4 cm) power cord supply cord with 3-prong grounded plug attached to grill 120VAC/60HZ - 2' (61.0 cm) power cord supply cord with 3-prong grounded plug attached to rotisserie motor		
Grill burner rating	25,000 BTU Nat./22,500 BTU LP (7.3 kW Nat./6.5 kW LP)		
TruSear™ burner rating (If applicable)	30,000 BTU Nat./LP (8.3 kW Nat./LP)		
Smoker burner rating	12,500 Nat./ 10,500 LP BTU (3.7 kW Nat./ 3.1 kW LP)	12,500 Nat./ 10,500 LP BTU (3.7 kW Nat./ 3.1 kW LP)	
Side burner rating (If applicable)	N/A	N/A	15,000 BTU Nat./13,500 BTU LP (4.4 kW Nat./4.0 kW LP)
Rotisserie burner rating	15,000 Nat./13,500 BTU LP (4.4 kW Nat./4.0 kW LP)		
Approximate shipping weight	325 lbs. (147 kg)	380 lbs. (172 kg)	350 lbs. (159 kg)

Dimensions (E-Series Grills)



Specifications (E-Series Grills)

53"W E-Series Grills		
Description	VGBQ530E/VGIQ530E	VGBQ532E/VGIQ532E
Cutout width	52-1/4" (132.7 cm)	
Cutout depth	28" (71.1 cm)	
Cutout height	10-1/4" (26.0 cm)	
Overall width	53-13/16" (135.1 cm)	
Overall depth	32-3/4" (83.2 cm)	
Gas requirements	Natural: standard residential 1/2" (1.3 cm) ID gas service line. LP/Propane: equipped with high capacity hose/regulator assembly for connection to standard 5gal, 20 lb. LP/Propane gas cylinder with Type 1, QCC-1 connection or standard residential 1/2" (1.3 cm) ID gas service line.	
Electrical requirements	120VAC/60HZ - 3' (91.4 cm) power cord supply cord with 3-prong grounded plug attached to grill 120VAC/60HZ - 2' (61.0 cm) power cord supply cord with 3-prong grounded plug attached to rotisserie motor	
Grill burner rating	25,000 BTU Nat./22,500 BTU LP (7.3 kW Nat./6.5 kW LP)	
TruSear™ burner rating (If applicable)	30,000 BTU Nat./LP (8.3 kW Nat./LP)	
Smoker burner rating	12,500 Nat./10,500 LP BTU (3.7 kW Nat./3.1 kW LP)	
Side burner rating (If applicable)	N/A	15,000 BTU Nat./13,500 BTU LP (4.4 kW Nat./4.0 kW LP)
Rotisserie burner rating	(2) 15,000 Nat./13,500 BTU LP (4.4 kW Nat./4.0 kW LP)	15,000 Nat./13,500 BTU LP (4.4 kW Nat./4.0 kW LP)
Approximate shipping weight	490 lbs. (222 kg)	460 lbs. (209 kg)

General Information

- Keep grill area clear and free from combustible materials, gasoline, and other flammable vapors.
- When the outdoor grill is not in use, the gas supply must be turned off at the LP gas supply cylinder.
- The pressure regulator and hose assembly supplied with the outdoor grill must be used. Replacement pressure regulators and hose assemblies must be those specified by the manufacturer.
- Finding a leak is not a “do-it-yourself” procedure. Some leaks can only be found with the burner control in the on position and this must be done by a qualified technician.
- The LP supply cylinder to be used must be constructed and marked in accordance with the specifications for LP- gas cylinders of the U.S. Department of Transportation (DOT) or the National Standard of Canada, CAN/CSA- B339, Cylinders, Spheres, and Tubes for the Transportation of Dangerous Goods.
- Gas Manifold Pressure—
Natural gas - 4.0” W.C.P.
LP/Propane - 10.0” W.C.P.

⚠ WARNING

If the following instructions are not followed exactly, a fire causing death or serious injury may occur:

- Do not store a spare LP gas cylinder under or near this appliance.
- Never fill the cylinder beyond 80 percent full.

⚠ WARNING

This outdoor gas grill is not intended to be installed in or on recreational vehicles and/or boats.

⚠ WARNING

Keep electrical supply cord and the fuel supply hose away from heated surfaces.

⚠ WARNING

This appliance is not fused. Installer must install a ground fault interrupt.

Built-In Information

- A minimum of 6” (15.2 cm) from the sides, or a minimum of 8” (20.3 cm) from the right side if there is a rotisserie motor and a minimum of 24” (61.0 cm) from the back must be maintained from the grill above the cooking surface to adjacent vertical **combustible** construction. The grill is not to be located under overhead unprotected combustible construction.
- A minimum of 3” (7.6 cm) clearance from the back of the grill with a canopy and a minimum of 6” (15.2 cm) from the back of the grill without a canopy to **non-combustible** construction is required for the purpose of allowing the lid to open fully and for proper ventilation.
- Note that the grill exhausts combustion products and cooking greases to the back. Never locate the grill in a location where the exhaust is directed at a window, less than 24” (61.0 cm) to combustible material or any surface that is difficult to clean.
- It is desirable to allow at least 6” side clearance to non-combustible construction above the cooking surface for counter space. If using the rotisserie option, the space is essential for motor and skewer clearance. The grill can be placed directly adjacent to combustible and/or non-combustible construction below the cooking surface.
- When determining a suitable location for the grill, take into account concerns such as exposure to wind, proximity to traffic paths and keeping gas supply lines as short as possible. Locate the grill only in a well-ventilated area. Never locate the grill in a building, garage, shed or other such fully enclosed areas. During heavy use, the grill will produce a lot of smoke. Ensure there is adequate area for it to dissipate.

T-Series Grills:

- When using a rear wall, locate the electrical service on the right hand side for the rotisserie motor. The rotisserie motor requires a 110/120 volt supply. The power supply cord on the motor is equipped with a 3-prong (grounded) plug for protection against shock hazard. Do not cut or remove the grounding from the plug. The electrical service must be equipped with a properly grounded 3-prong receptacle as required by the National Electrical Code ANSI/NFPA 70-latest edition. Installation in Canada must be in accordance with the Canadian Electrical Code, CSA 22.1 and local codes.

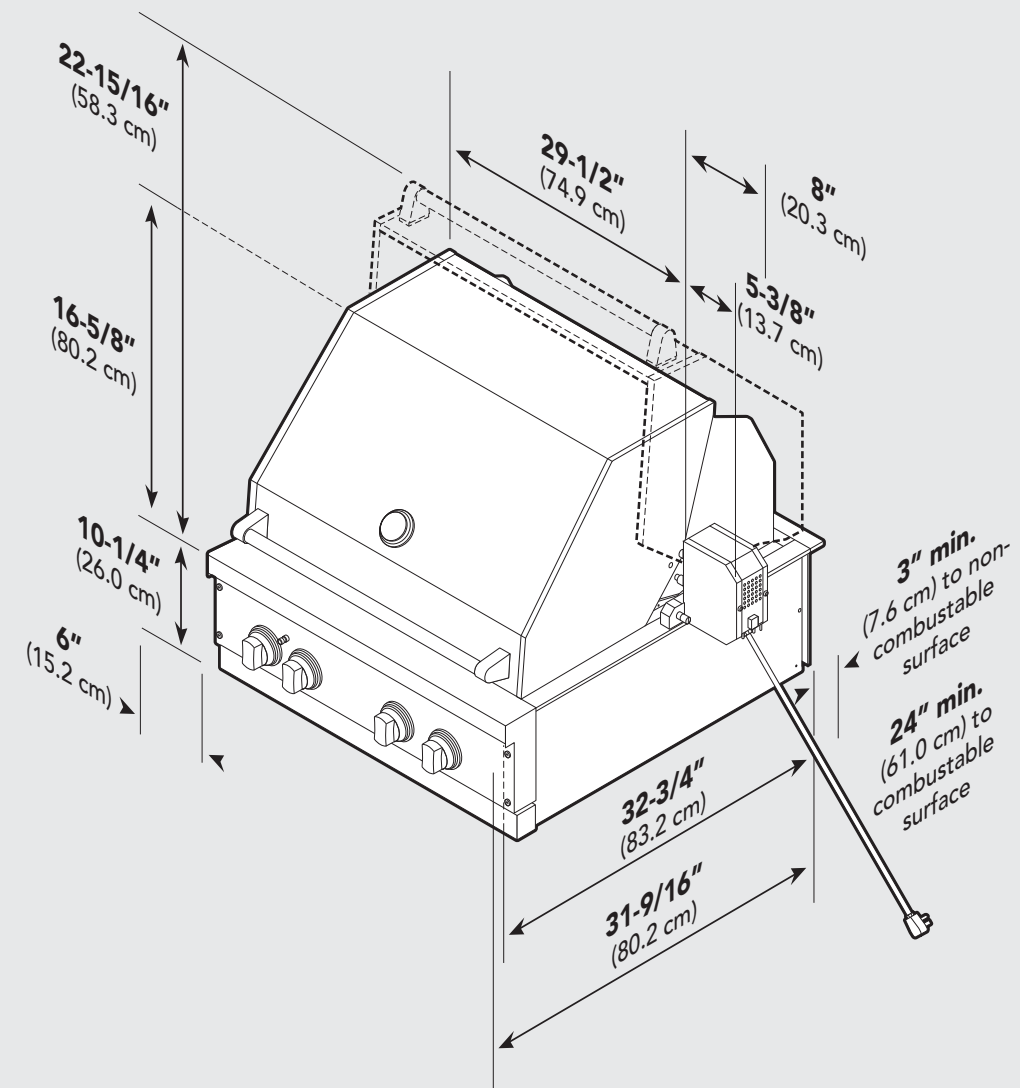
E-Series Grills:

- When using a rear wall, locate a 110/120 volt supply outlet on the bottom left hand side beneath the solid bottom support at a maximum distance of 2 feet. This connection is to be used for the ignition system and canopy lights. In addition, the rotisserie motor requires a separate 110/120 volt supply to be located on the right hand side of the grill. Both the power supply cords for the ignition/lights and the rotisserie motor are equipped with a 3-prong (grounded) plug for protection against shock hazard. Do not cut or remove the grounding from the plug. The electrical service must be equipped with a properly grounded 3-prong receptacle as required by the National Electrical Code ANSI/NFPA 70-latest edition. Installation in Canada must be in accordance with the Canadian Electrical Code, CSA 22.1 and local codes.

IMPORTANT: Gas fittings, regulator, and installer supplied shut-off valve must be easily accessible.

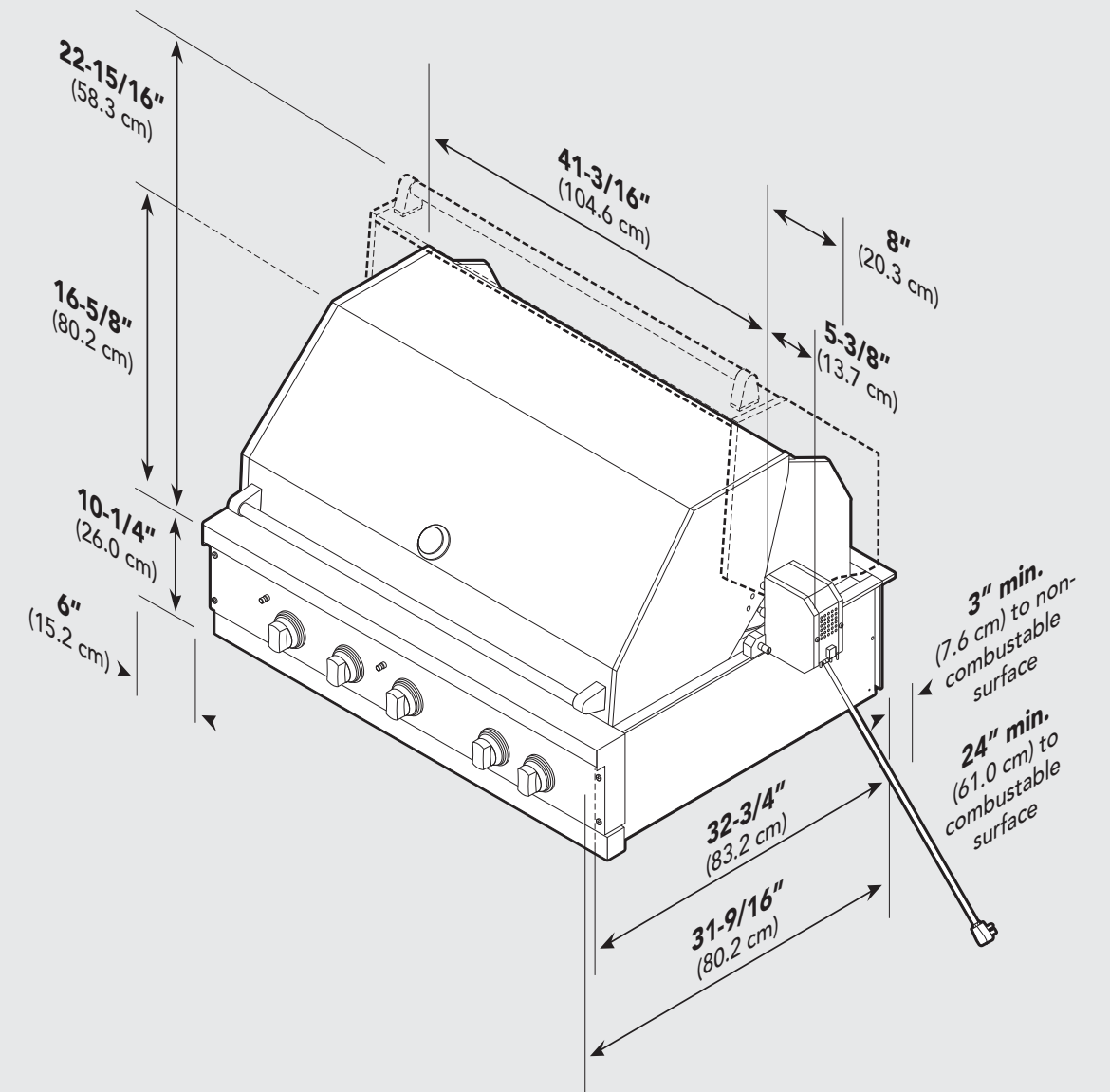
Clearance Dimensions (30" Grill)

VGBQ300T/030T
VGBQ300E/VGIQ300T



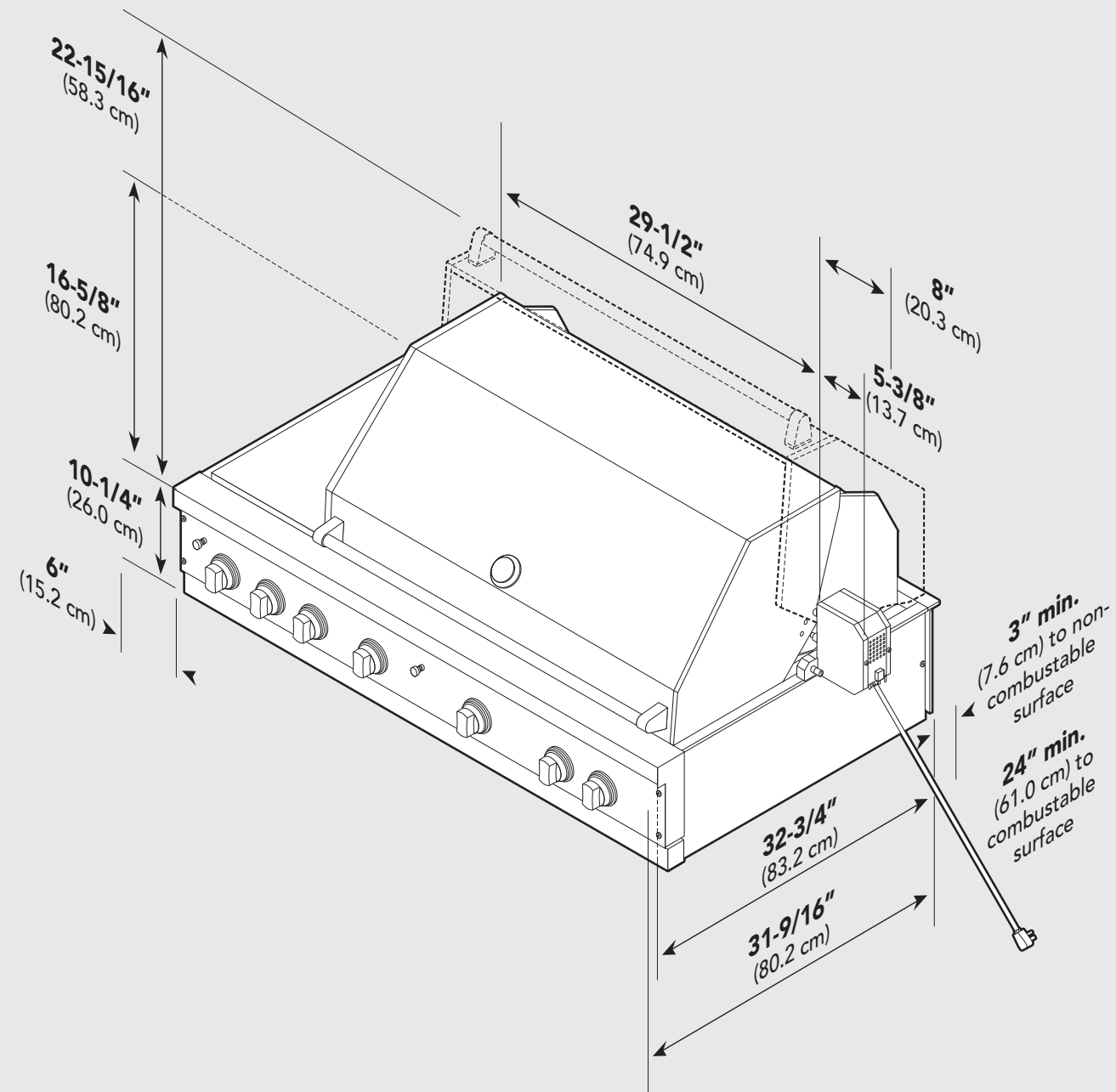
Clearance Dimensions (41" Grill)

VGBQ410T/VGIQ410T
VGBQ410E/VGBQ412T/VGBQ412E



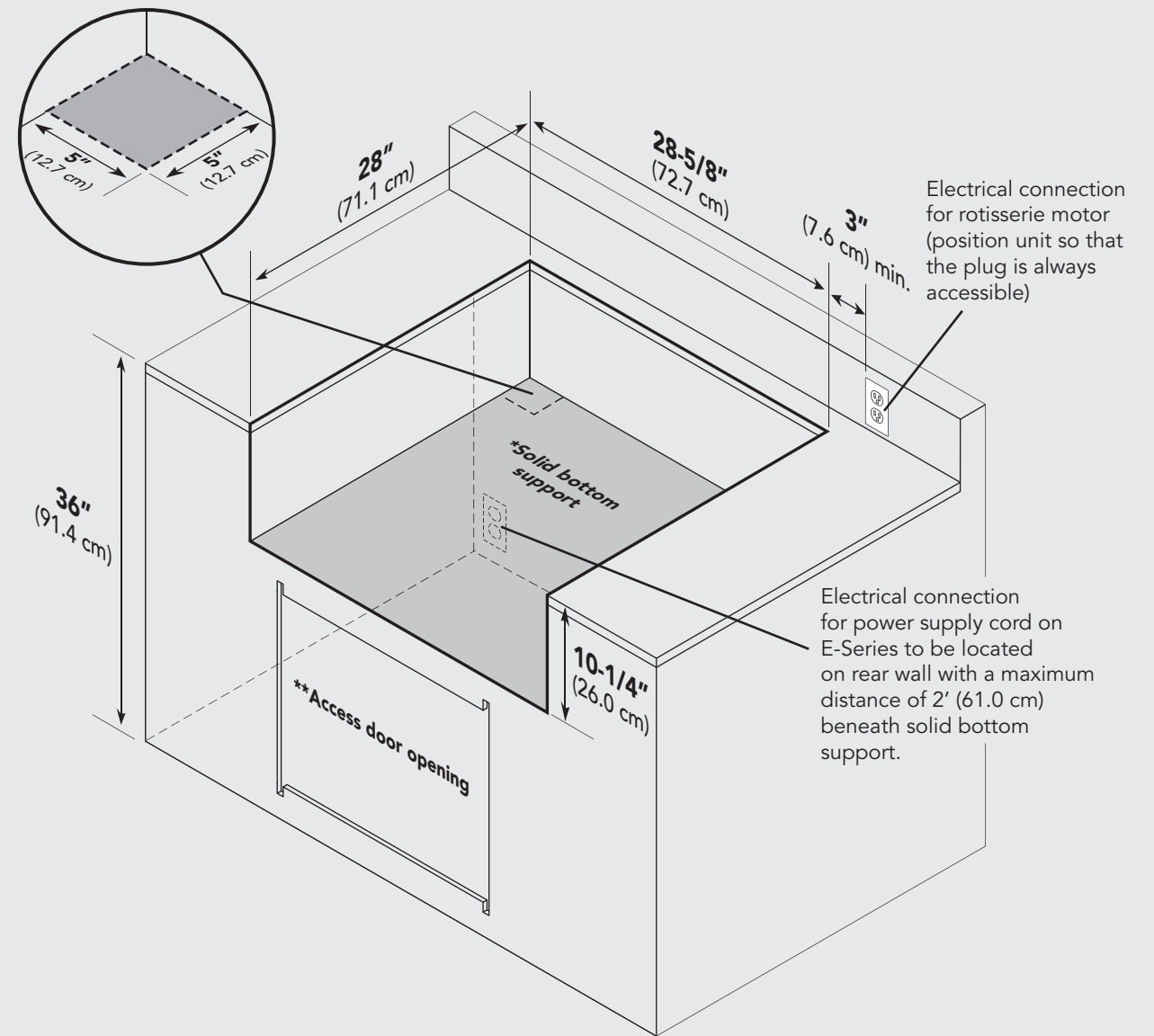
Clearance Dimensions (53" Grill)

VGBQ530T/VGIQ530T
 VGBQ530E/VGBQ532T/VGIQ532T
 VGBQ532E



Cutout Dimensions (30" Grill)

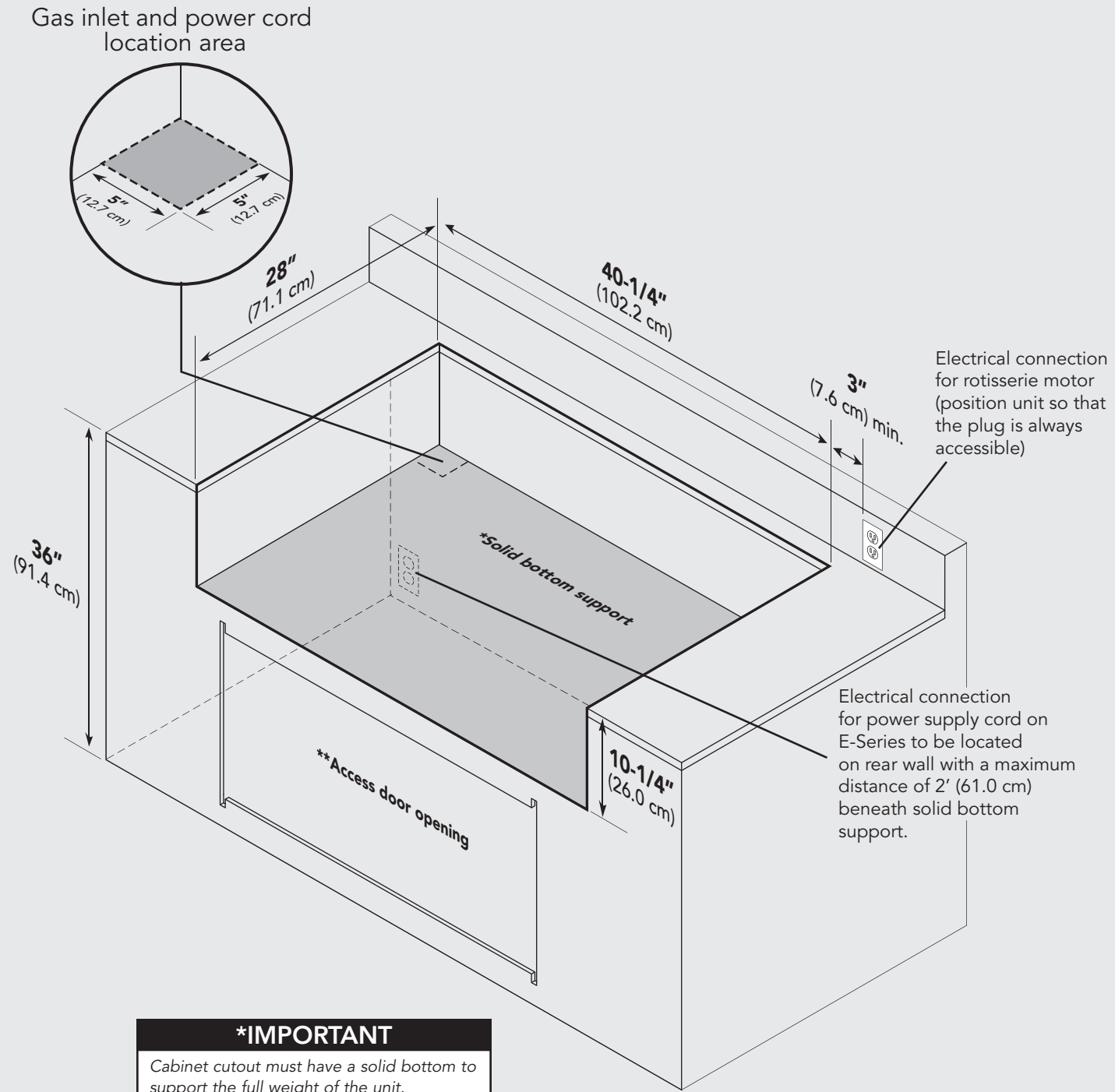
Gas inlet and power cord location area



***IMPORTANT**
 Cabinet cutout must have a solid bottom to support the full weight of the unit.

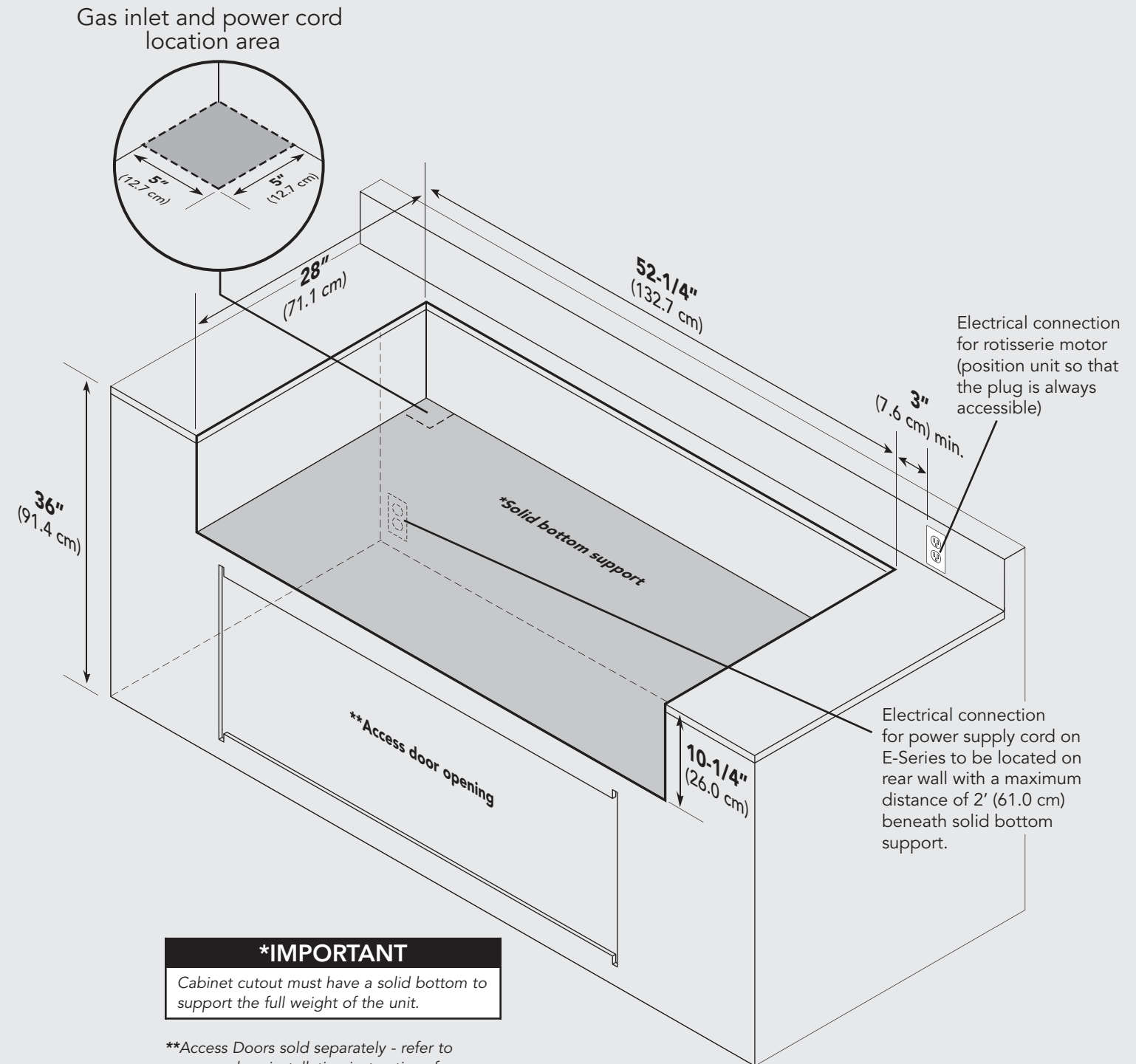
**Access Doors sold separately - refer to access door installation instructions for correct dimensions.

Cutout Dimensions (41" Grill)



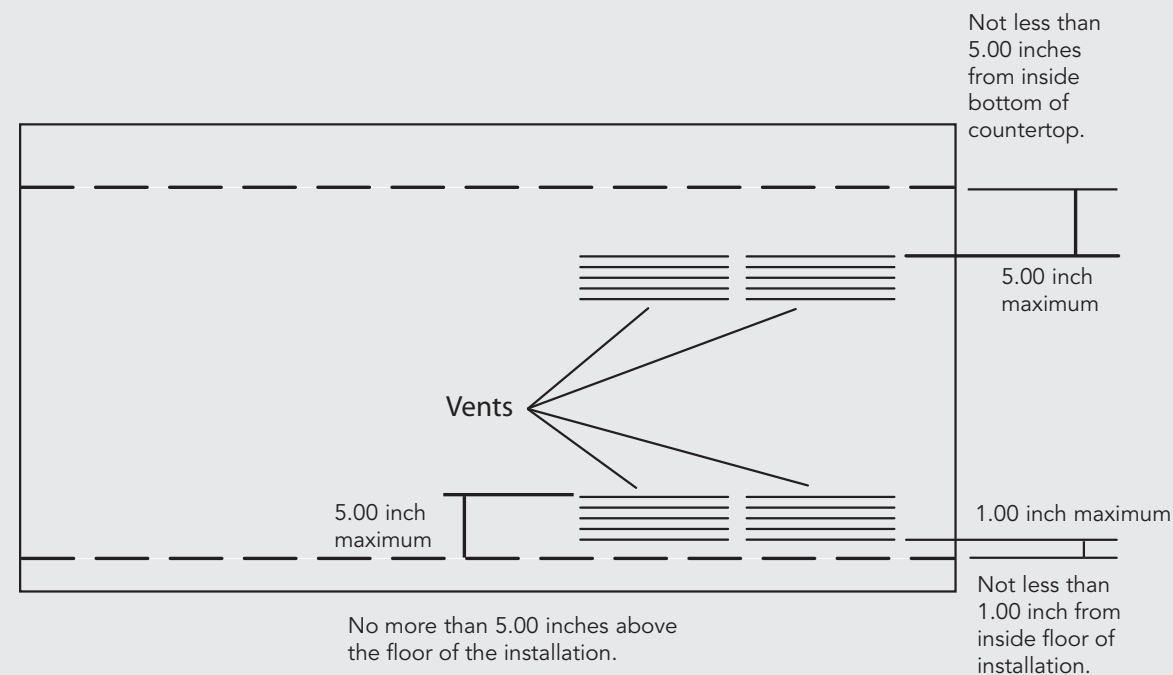
**Access Doors sold separately - refer to access door installation instructions for correct dimensions.

Cutout Dimensions (53" Grill)



**Access Doors sold separately - refer to access door installation instructions for correct dimensions.

Ventilation for Built-In Installations



1. At least one ventilation opening shall be provided on the exposed, exterior side of the enclosure located within 5 inches (127 mm) of the top of the enclosure and unobstructed. The opening(s) shall have a total free area of not less than 1 in²/lb. (14.2 cm²/kg) of stored fuel capacity.
2. At least one ventilation opening shall be provided on the exposed, exterior side of the enclosure 1 inch (25.4 mm) or less from the floor level and shall have a total free area of not less than 1/2 in²/lb. (7.1 cm²/kg) of stored fuel capacity. The upper edge shall be no more than 5 inches (127 mm) above the floor level.
3. Every opening shall have a minimum dimension so as to permit the entrance of a 1/8 inch (3.2 mm) rod.

Gas and Electrical Connection

GAS CONNECTION

Verify the type of gas supply to be used, either natural or LP, and make sure the marking on the grill rating plate agrees with that of the supply. Never connect an unregulated gas line to the appliance. An installer supplied gas shut-off valve must be installed in an easily accessible location. All installer supplied parts must conform to local codes, or in the absence of local codes, with the National Electrical Code, ANSI/NFPA 70 and the National Fuel Code, ANSI Z223.1. **In Canada:** Installation must be in accordance with the current CSA-B149.1, Natural Gas Installation Code or CSA-B149.2, Propane Installation Code and/or local codes. All pipe sealants must be an approved type and resistant to the actions of LP gas. Never use pipe sealant on flare fittings. All gas connections should be made by a competent technician and in accordance with local codes and or ordinances. In the absence of codes, the installation must comply with the National Fuel Gas Code ANSI Z223.1. The gas grill and its individual shut-off valve must be disconnected from the gas supply piping system during any pressure testing of that system at test pressures in excess of 1/2 PSIG (3.5 kPa). The gas grill must be isolated from the gas supply piping system by closing its individual manual shut-off valve during any pressure testing of that system at test pressures equal to or less than 1/2 psi (3.5 kPa). Built-in installations must be plumbed using a fixed/hard line if the unit is going to be operated at a distance exceeding 3 feet (0.91 meters) from the fuel supply per ANSI Z21.24 CSA.

GAS CONVERSION

To convert a grill from natural to LP/Propane or LP/Propane to natural, you **MUST** use conversion kit sold separately.


⚠ CAUTION

Conversions should only be performed by an authorized service technician.

ELECTRICAL CONNECTION

⚠ WARNING

ELECTRICAL SHOCK HAZARD

 This appliance is equipped with a 3' (91.4 cm) 3-prong power cord with a grounding plug for your protection against shock hazard and should be plugged directly into a properly grounded receptacle. Do not cut or remove the grounding prong from this plug. This unit is not fused and installer must install a GFI. Unit must be grounded in accordance with local codes or with the National Electrical Code ANSI/NFPA 70, or the Canadian Electrical Code, CSA C22.1.

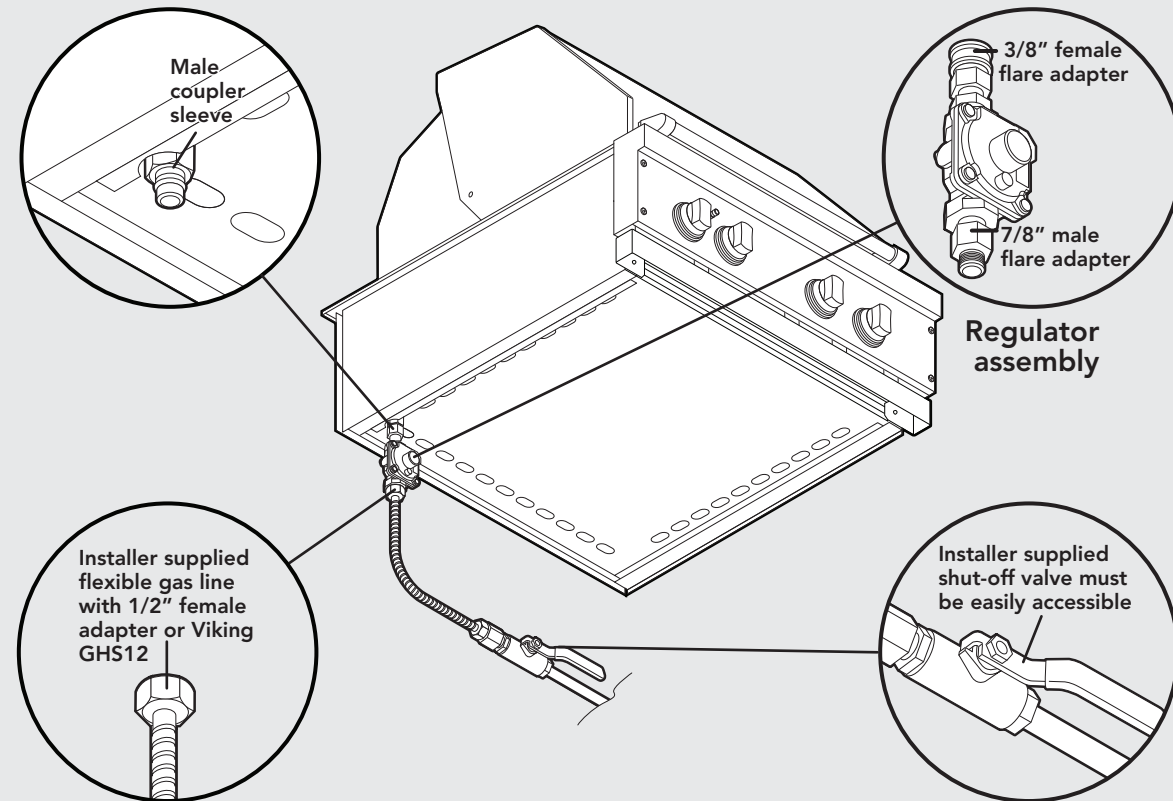
Natural Fixed Piping Connection

Check with your local gas utility company or with local codes for instructions on installing gas supply lines. Be sure to check on type and size of run and how deep to bury the lines. If the gas line is too small, the grill will not function properly.

To connect the supplied regulator assembly to the incoming flexible gas line, attach with a 1/2" (1.3 cm) female flare adapter to the 7/8" (2.2 cm) male flare adapter on the regulator assembly. Ensure that the regulator arrow points in the direction of the gas flow towards the unit and away from the supply.

Attach the regulator assembly to the grill unit by pulling back the female coupler sleeve towards the regulator. Insert the coupler into the male coupler fitting on the grill until the sleeve snaps forward securing the connection. **Do not forget to place the installer supplied gas valve in an accessible location.**

NOTE: If using a Viking GSH12 flexible hose, remove the 1/2" flare adapter and attach hose to the 7/8" (2.2 cm) male flare on the regulator assembly.



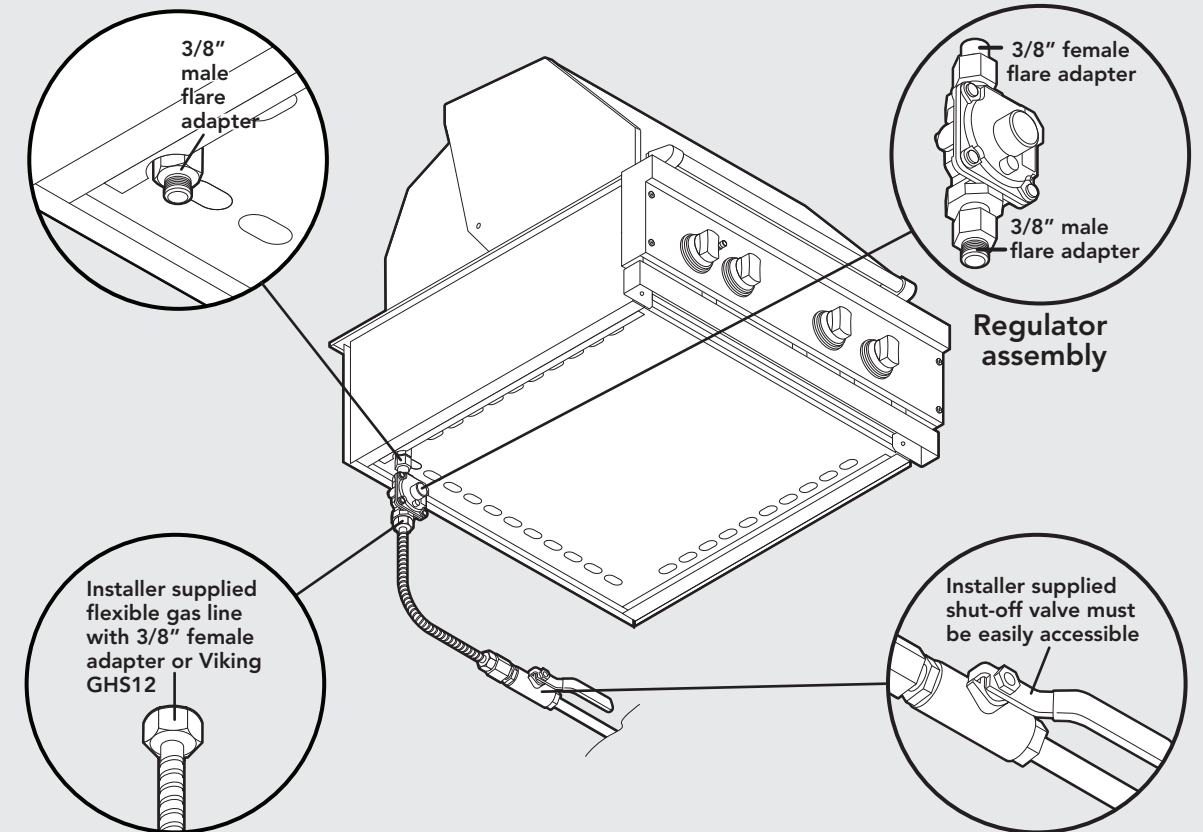
Connection	Operating Pressure	Supply Pressure
Standard Residential 1/2" ID gas service line - 1/2" NPT male with 7/8" (2.2 cm) flare adapter.	4.0" W.C.P. Nat.	6" to 10" W.C.P. Nat. If in excess of 10" W.C.P., a step-down regulator is required.

LP/Propane Fixed Piping Connection

Check with your local gas utility company or with local codes for instructions on installing gas supply lines. Be sure to check on type and size of run and how deep to bury the lines. If the gas line is too small, the grill will not function properly.

To connect the supplied regulator assembly to the incoming flexible gas line, attach with a 3/8" female flare adapter to the 3/8" male

flare adapter to the regulator assembly. Ensure that the regulator arrow points in the direction of the gas flow towards the unit and away from the supply. Attach the regulator assembly to the grill unit with the 3/8" female flare adapter on the regulator assembly to the 3/8" male flare adapter on the grill. **Do not forget to place the installer supplied gas valve in an accessible location.**



Connection	Operating Pressure	Supply Pressure
Standard Residential 1/2" ID gas service line - 1/2" NPT male with 3/8" flare adapter.	10.0" W.C.P. LP/Propane.	11" to 14" W.C.P. Nat. If in excess of 14" W.C.P., a step-down regulator is required.

LP/Propane Tank Requirements

A dented or rusty LP/Propane tank may be hazardous and should be checked by your tank supplier. Never use a cylinder with a damaged valve. All tanks should be equipped with an OPD (overfilling protection device). This is a DOT requirement for all tanks purchased after October 1, 1998 and will ensure that the tank is not overfilled. The LP/Propane tank should be a standard 5-gal, 20 lb. gas cylinder tank approximately 12" in diameter and 18" high which must be constructed and marked in accordance with the Specifications for LP/Propane Gas Cylinders of the U.S. Department of Transportation (D.O.T.) or the National Standard of Canada, CAN/CSA-B339, Cylinders, Spheres and Tubes for Transportation of Dangerous Goods; and Commission. The cylinder connection device must be compatible with the Type 1, QCC-1 connector on the outdoor cooking appliance.

All LP/Propane tanks must be mounted in a vertical position for proper ventilation. The cylinder must be provided with a shut-off valve terminating in an LP/Propane gas supply cylinder valve outlet specified. The cylinder supply system must be arranged for vapor withdrawal and provided with a listed overfilling prevention device. If the appliance is stored indoors the cylinder must be disconnected and removed from the appliance. Each tank is supplied with a dust cap. Place dust cap on cylinder valve outlet whenever the cylinder is not in use. Only install the type of dust cap on the cylinder valve outlet that is provided with the cylinder valve. Other types of caps or plugs may result in leakage of propane. The cylinder used must include a collar to protect the cylinder valve. Cylinders must be stored outdoors in a well-vented area out of the reach of children.

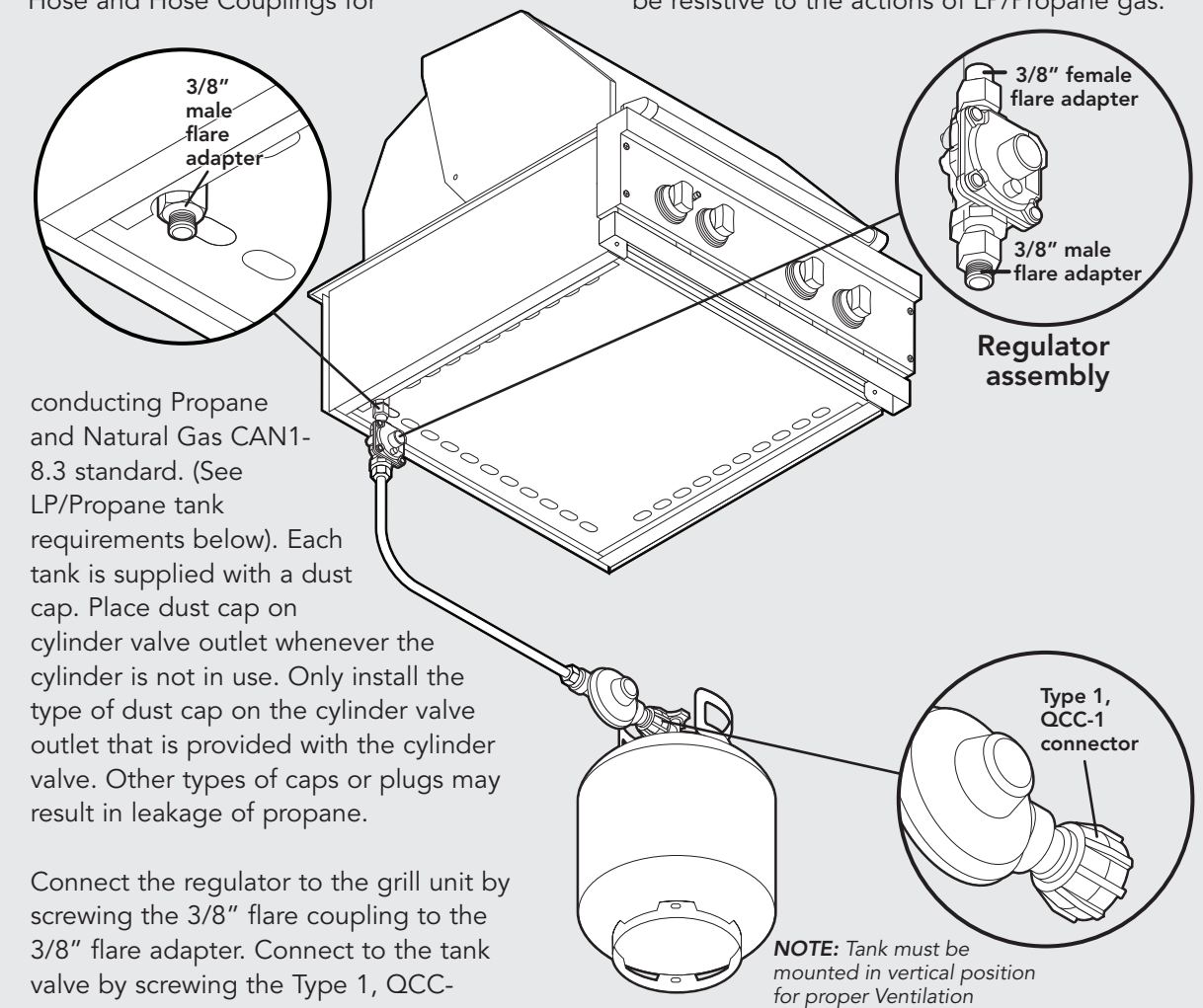
BUILT-IN INSTALLATIONS

Built-in installations must be plumbed using a fixed/hard line if the unit is going to be operated at a distance exceeding 3 feet (0.91 meters) from the fuel supply per ANSI Z21.24 CSA. Also, in a built-in construction where an LP/Propane tank is going to be used, there MUST be some type of support (braces, cut-out, etc.) to prevent tank from moving within the installation. The support must also allow the LP/Propane tank to withstand a horizontal tipping force equal to the weight of the tank without tipping over. The tank can not tip over or deflect more than 1.00 inch when a 38 lb. horizontal force is applied to a 20 lb. LP/Propane tank.

LP/Propane Tank Connection

Outdoor grills orificed for use with LP/Propane gas come equipped with a high capacity hose/regulator assembly for connection to a standard 20 lb. LP/Propane cylinder equipped with a Type 1, QCC-1 connector. Hose assembly must comply with Elastomeric Composite Hose and Couplings for conducting Propane and Natural Gas, CAN/CGA-8.1 standard or the Thermoplastic Hose and Hose Couplings for

connector to the LP/Propane tank. Open the tank valve and check the connection between the regulator and the Type 1, QCC-1 fitting for leaks with a soapy water solution. If bubbles appear, tighten the connection. Repeat until all leaks have been stopped. ALWAYS CHECK FOR LEAKS AFTER EVERY LP/PROPANE TANK CHANGE. Any joint sealant used must be an approved type and be resistive to the actions of LP/Propane gas.



conducting Propane and Natural Gas CAN1-8.3 standard. (See LP/Propane tank requirements below). Each tank is supplied with a dust cap. Place dust cap on cylinder valve outlet whenever the cylinder is not in use. Only install the type of dust cap on the cylinder valve outlet that is provided with the cylinder valve. Other types of caps or plugs may result in leakage of propane.

Connect the regulator to the grill unit by screwing the 3/8" flare coupling to the 3/8" flare adapter. Connect to the tank valve by screwing the Type 1, QCC-

Connection	Operating Pressure
1/2" (1.3 cm) NPT male with a 3/8" (.95) flare adapter	10.0" W.C.P. LP/Propane.

Leak Testing

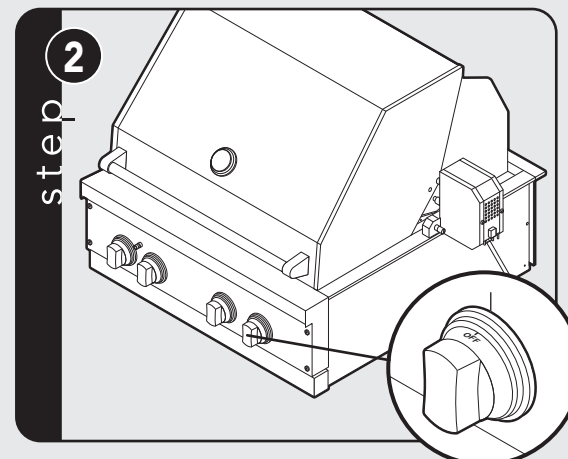
Although all gas connections on the grill are leak tested at the factory prior to shipment, a complete gas tightness check must be performed at the installation due to possible mishandling in shipment or excessive pressure unknowingly being applied to the unit. Periodically check the whole system for leaks, or immediately check if the smell of gas is detected.

- Do not smoke while leak testing.
- Extinguish all flames.
- Never leak test with an open flame

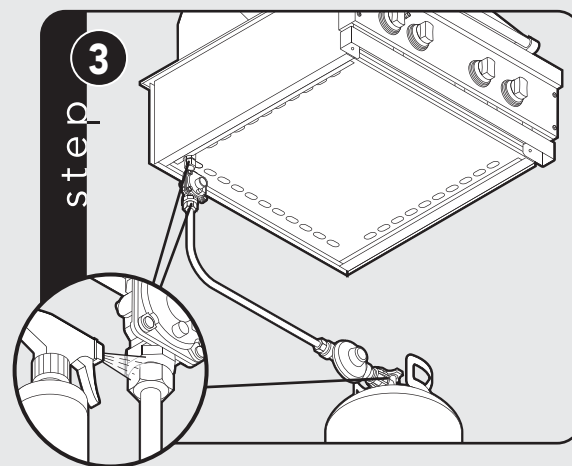
⚠ CAUTION
 Before placing into operation, always check for gas leaks with a soapy water solution. **DO NOT USE AN OPEN FLAME TO CHECK FOR LEAKS.**



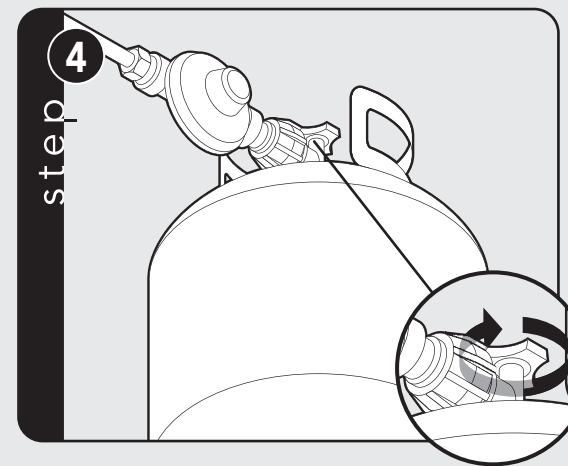
Make a soap solution of one part liquid detergent and one part water. You will need a spray bottle, brush or towel to apply the solution to the fittings.
Note: For LP/Propane units, check with a full cylinder.



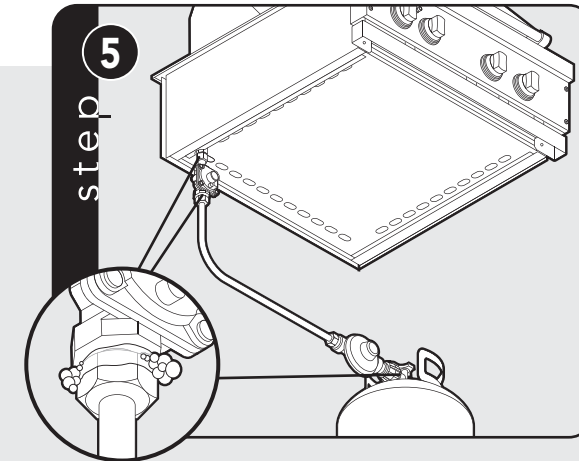
Check that all control knobs are in the "OFF" position.



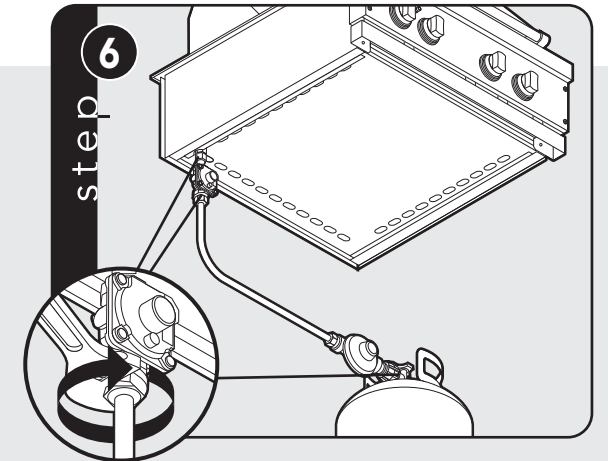
Apply the soap solution to fittings.



Turn cylinder valve knob counter clockwise one turn to open.



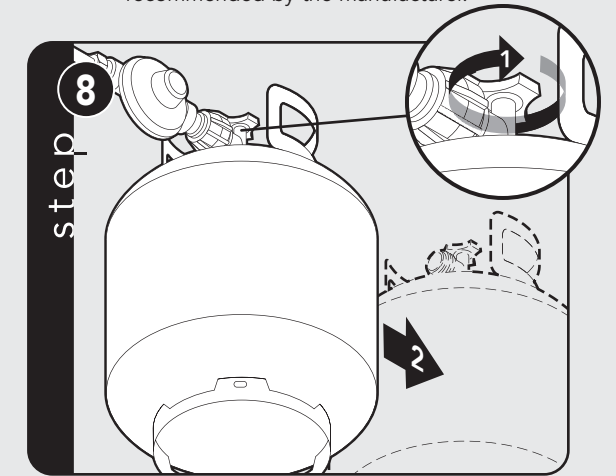
Bubbling bubbles in the soap solution indicates that a leak is present.



Stop a leak by tightening the loose joint or by replacing the faulty part with a replacement part recommended by the manufacturer.

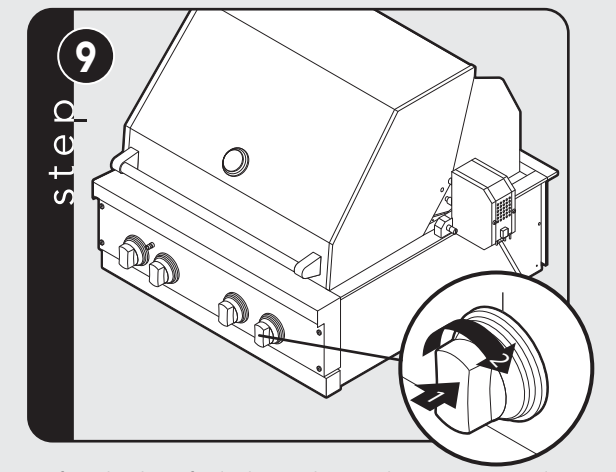


Do not attempt to repair the cylinder valve if it should become damaged. The cylinder must be replaced.



If you are unable to stop a leak, shut off the gas at the cylinder valve. Remove the cylinder from the grill.

Call an authorized gas appliance service technician or LP/Propane gas dealer.
 Do not use the grill until the leak is corrected.



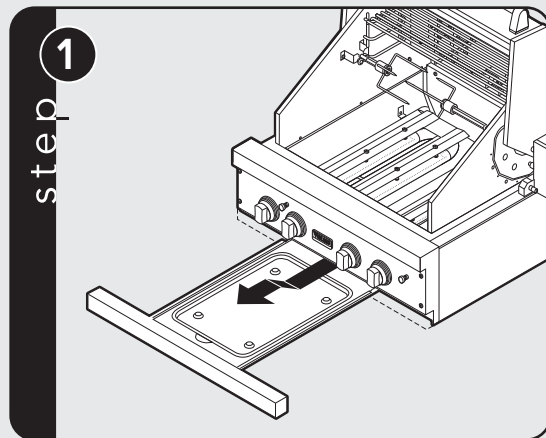
After checking for leaks, push in and turn any control knob to release the pressure in the hose and manifold. Turn off the control knob.

Burner Adjustment

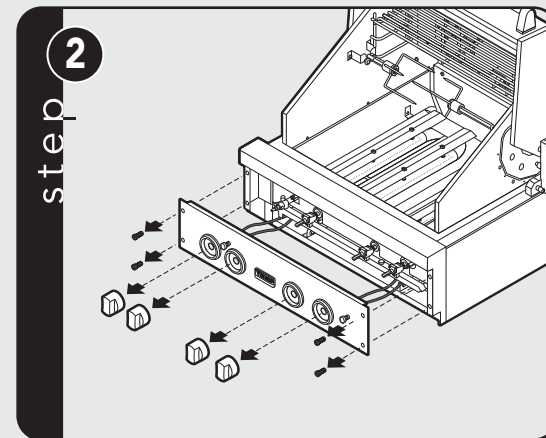
Each burner is tested and adjusted at the factory prior to shipment; however, variations in the local gas supply may make it necessary to adjust the burners. The flames of the burners (except the rotisserie infrared burner) should be visually checked and compared with the following illustrations.



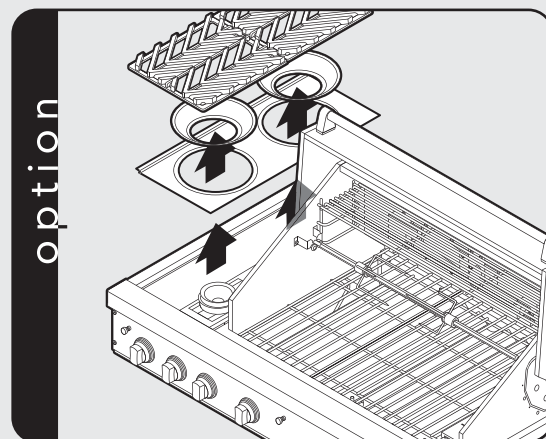
Flames should be blue and stable with no yellow tips, excessive noise or lifting. If any of these conditions exist, check if the air shutter or burner ports are blocked by dirt, debris, spider webs, etc. With a proper flame height, adjust the air shutter to obtain a blue flame with no yellow tipping that sits on the burner at the burner ports. The air shutter is locked in place by a set screw which must be loosened prior to lighting the burner for adjustments.



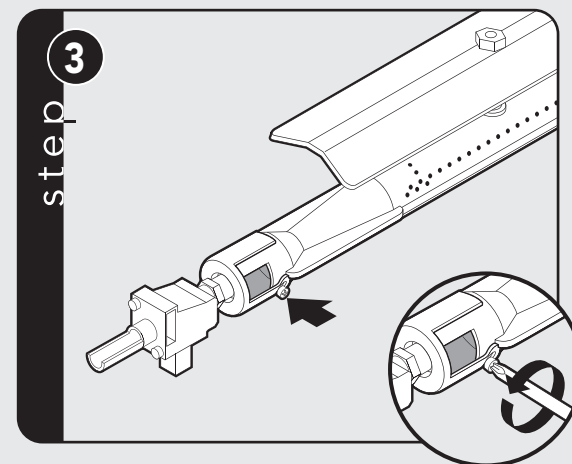
To access the air shutter on the grill burners and smoker burner, remove the drip tray



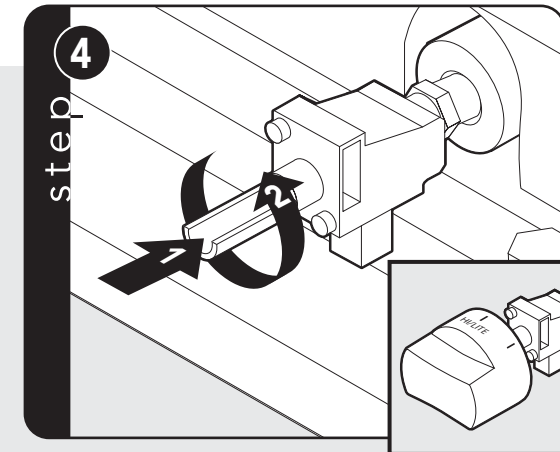
Remove the knobs and valve panel. **NOTE:** Leave wires connected to switches on valve panel.



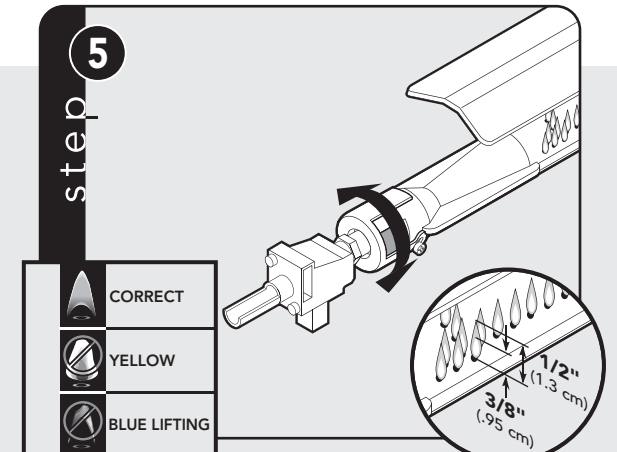
To access the air shutter on the side burners, remove the grates, burner bowls, and grate support.



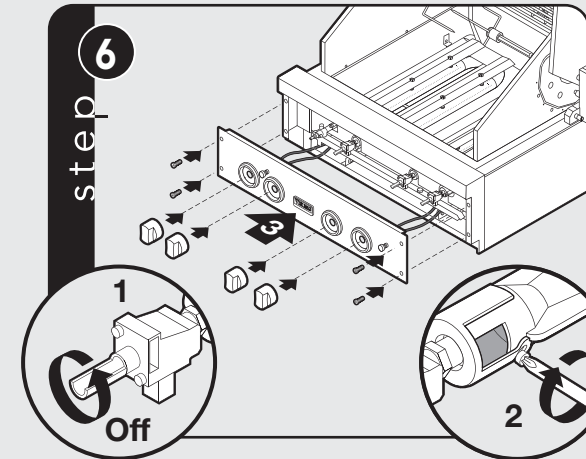
With a screw driver, loosen the lock-screw on the face of the air shutter.



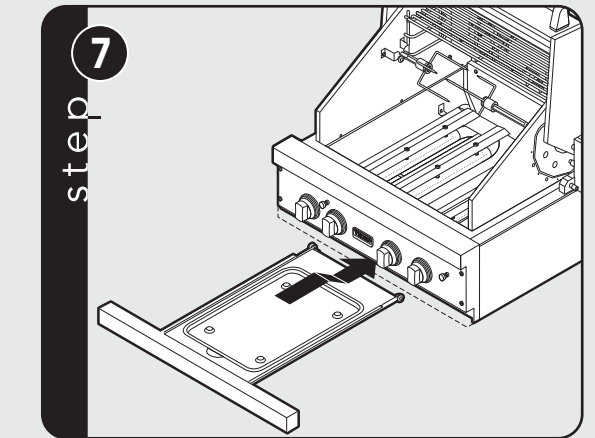
Push and turn the the valve to light the burner and adjust according to the directions following. **NOTE:** By replacing the knob, it may be easier to light the burner.



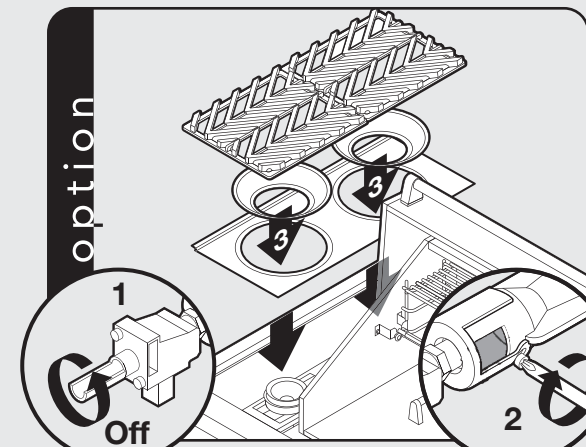
If the flame is yellow, turn the air shutter counter clockwise to allow more air to the burner. If the flame is noisy and lifting away from the burner, turn the air shutter clockwise to reduce the amount of air to the burner.



Once adjusted, turn the burner off, tighten the set screw on the air shutter. For grill and smoker burners, replace the valve panel and knobs.



For grill and smoker burners, replace the drip tray.

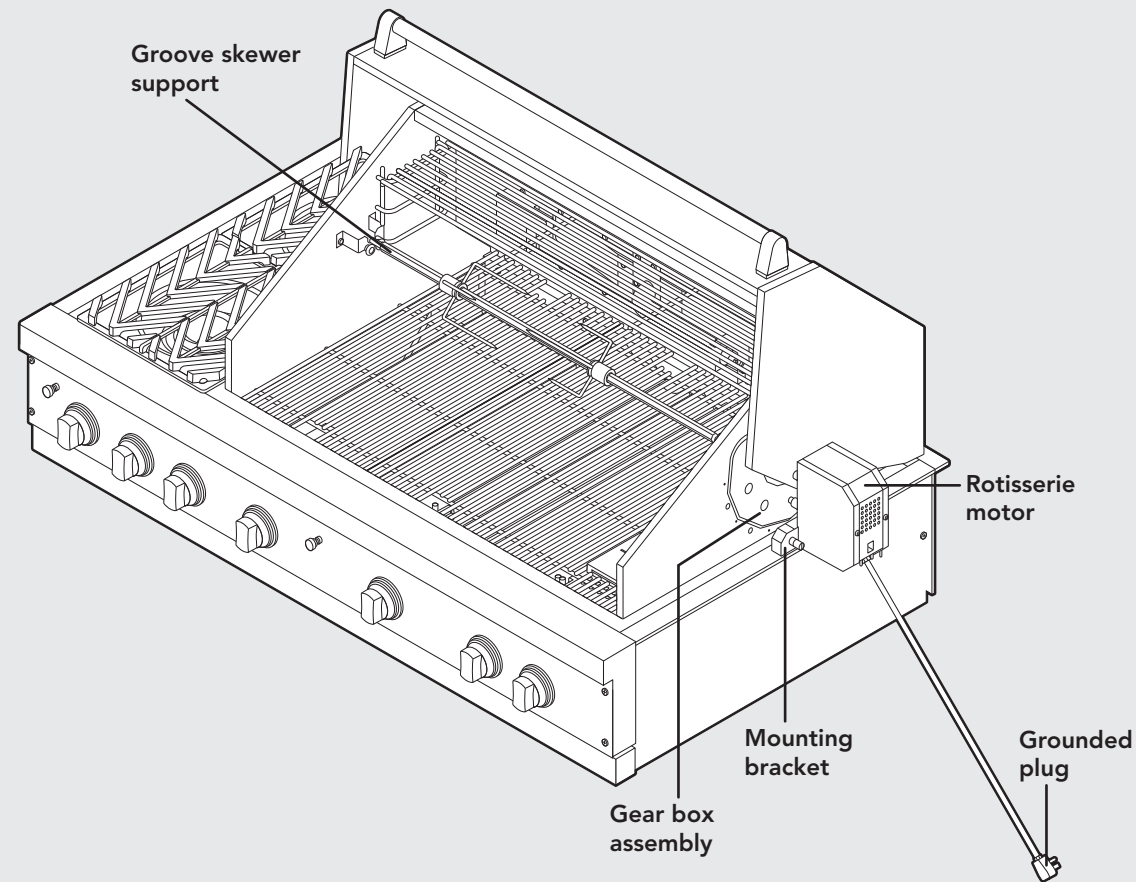


Once adjusted, turn the burner off, tighten the set screw on the air shutter. For side burners, replace the grate support, burner bowls, and grates for the side burners.

Rotisserie System

The rotisserie motor is attached to the mounting bracket located on the right side of the grill frame. The rotisserie motor must be electrically grounded in accordance with local codes. The skewer for the rotisserie is assembled into the gear box assembly by placing the pointed end into the gear box, and resting the threaded end on the support at the left side of the grill. With the skewer pushed as far in as possible, the grooved skewer bushing should rest on the left side bracket. **Do not remove the plastic cover on the rotisserie motor switch due to safety consideration.**

⚠ WARNING
ELECTRICAL SHOCK HAZARD
This appliance is equipped with a grounding plug for your protection against shock hazard and should be plugged directly into a properly grounded receptacle. Do not cut or remove the grounding prong from this plug.



Performance Checklist

A qualified installer should carry out the following checks:

- All internal packaging removed.
- Specified clearances maintained to combustible materials.
- Pressure regulator connected and set.
- Manual shut-off valve installed and accessible.
- Check air shutter adjustment - sharp blue flame, no yellow tipping.
- Check for gas leaks (odors) at all gas connections.
- Each burner lights satisfactorily, individually or with adjacent burners lit.

Any adjustments necessary that are the result of the installer not following instructions will be responsibility of the installer, dealer or the end user of the product.

Final Preparation

- Some stainless steel parts may have a plastic protective wrap which must be peeled off. The interior should be washed thoroughly with hot, soapy water to remove film residues and any dust or debris before being used, then rinsed and wiped dry. Solutions stronger than soap and water are rarely needed.
- All stainless steel body parts should be wiped with hot, soapy water and with a liquid cleaner designed for this material. If buildup occurs, do not use steel wool, abrasive cloths, cleansers, or powders!

If it is necessary to scrape stainless steel to remove encrusted materials, soak with hot, wet cloths to loosen the material, then use a wool or nylon scraper. Do not use a metal knife, spatula, or any other material tool to scrape stainless steel! Scratches are almost impossible to remove.

Service & Registration

Service & Parts

Only authorized replacement parts may be used in performing service on the appliance. Do not repair or replace any part of the appliance unless specifically recommended in the manual. All other servicing should be referred to a qualified technician.

Record the following information indicated below. You will need it if service is ever required. The serial number and model number for your appliance are located on the identification plate mounted on the bottom left side of the door opening.

Model number

Serial number

Date of purchase

Date installed

Dealer's name

Address
