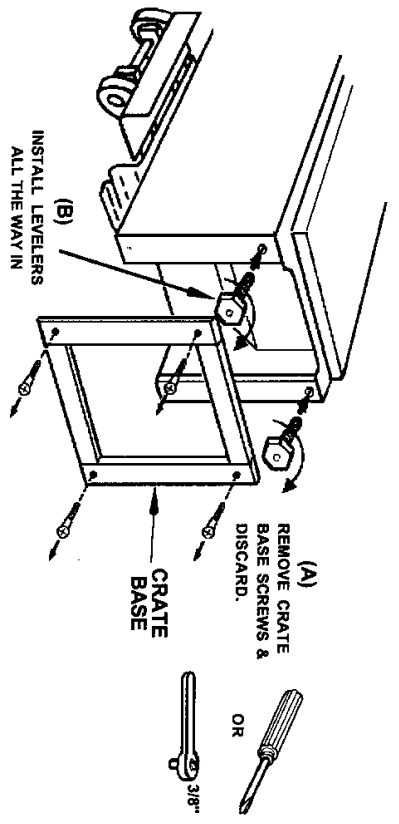


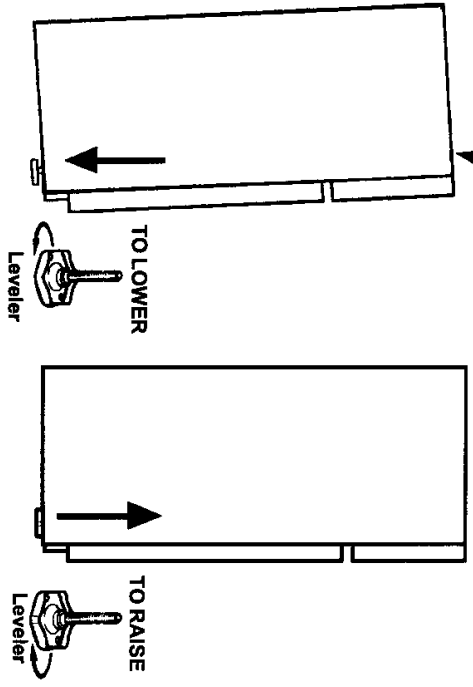
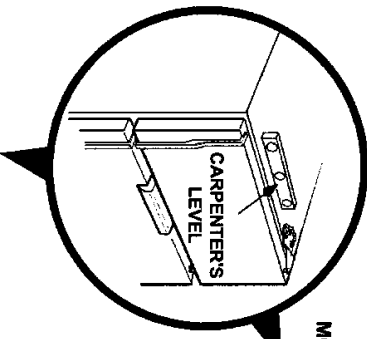
1 LEVELERS



3 REFRIGERATOR LEVELING

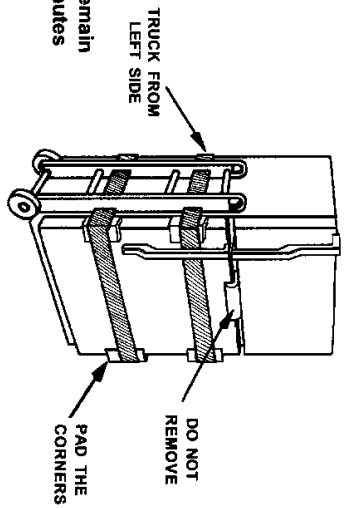
MOVE THE REFRIGERATOR TO ITS INSIDE LOCATION.

- (1) Level the cabinet: Open and close the doors. Re-level the cabinet.
- (2) If the cabinet rolls, extend the levelers.
- (3) If the doors do not close easily, raise the front of the cabinet.

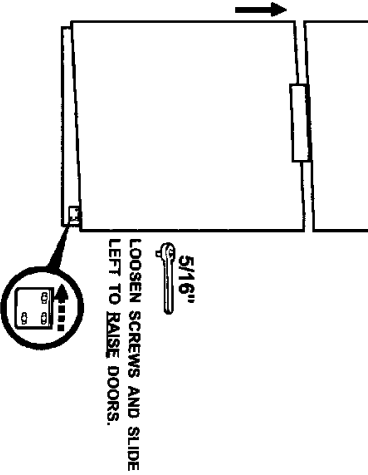
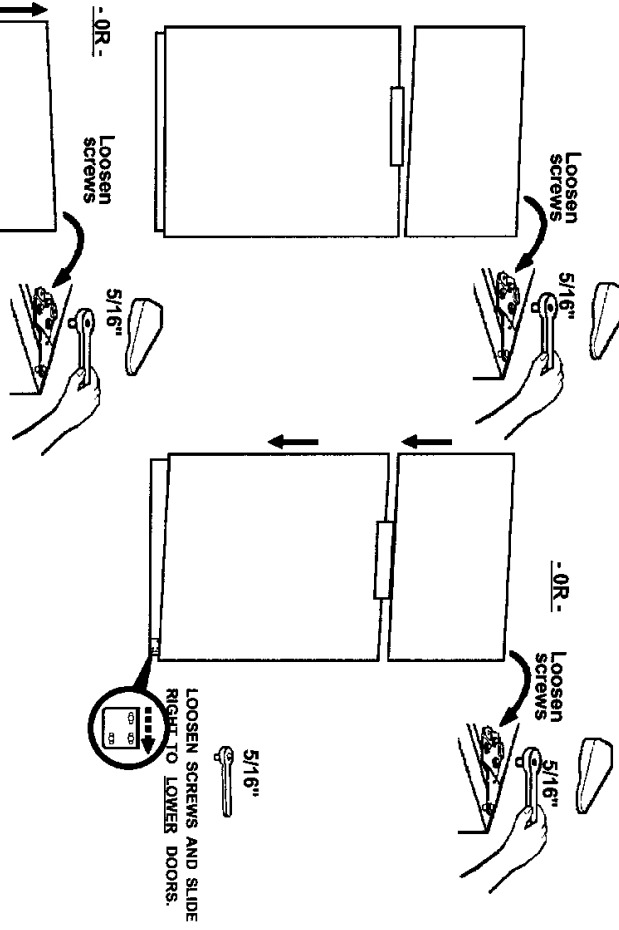


2 HANDLING

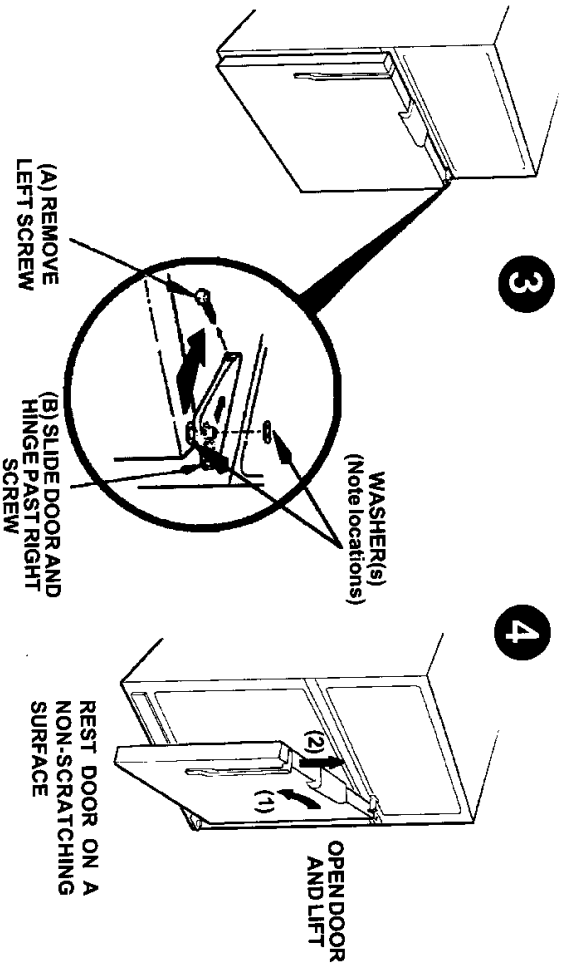
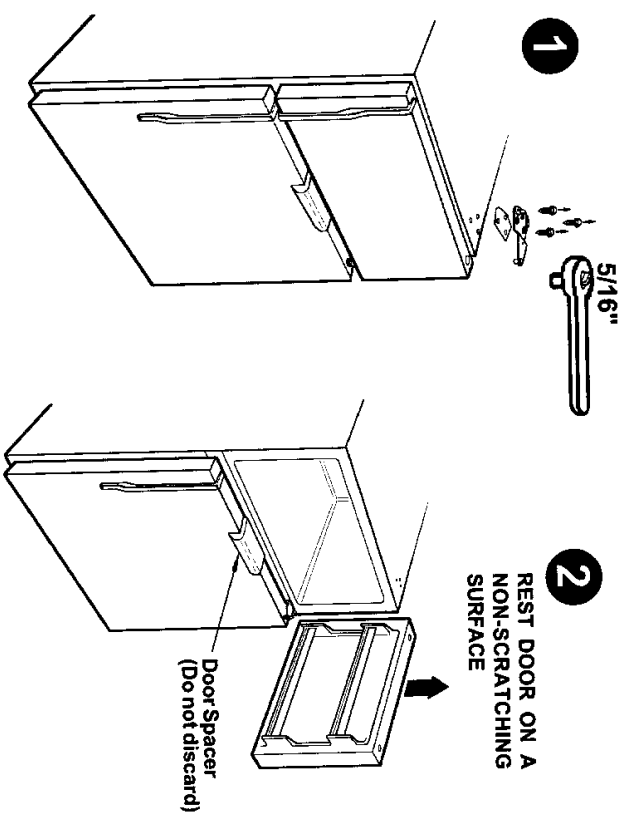
The refrigerator should remain upright for at least 30 minutes prior to plugging it in.



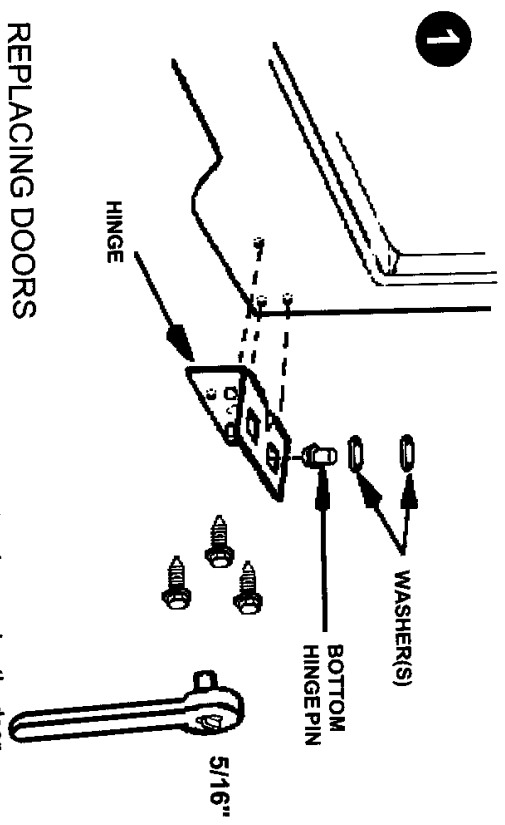
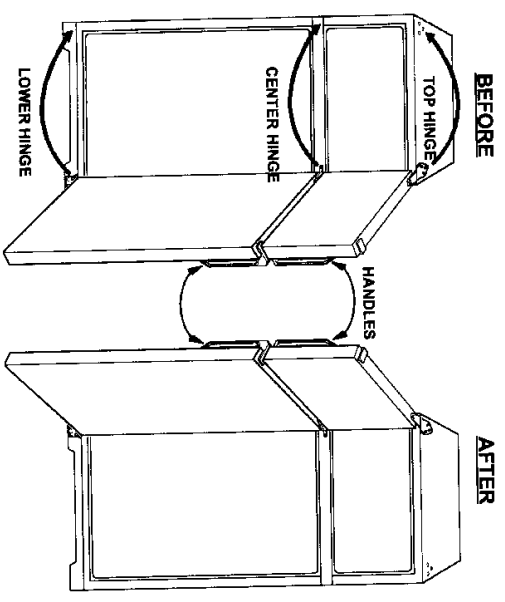
4 DOOR ADJUSTMENT (IF NEEDED)



REMOVING DOORS (IF REQUIRED)



DOOR REVERSAL



REPLACING DOORS
 Replace doors in reverse order of their removal. Align doors using the door spacer.