



# Dishwasher

FPHD2481K F

24" Built-In



## Signature Features



### Best Drying Performance<sup>1</sup>

Our PowerPlus™ dry cycle offers the best drying performance.<sup>1</sup>



### Quietest Dishwasher in Its Class<sup>2</sup>

A quiet performance every time.



### SpaceWise™ Organization System

Our SpaceWise™ Organization system features adjustable racks and the Largest Silverware Basket<sup>3</sup> so there's a place for virtually anything.



### Real Stainless Steel

Real stainless steel with a protective coating that reduces fingerprints and smudges so it's easy to clean.

## Powerful Performance

- PowerPlus™ Cycle
- DishSense™ Technology
- 7 Wash Cycles Including –
  - Energy Saver Plus
  - Top Rack Only Wash
  - Favorite
- Professional Solid Dish Racks
- Low-Rinse Aid Indicator
- AquaSurge™ Technology
- 5 Wash Levels

## Performance-Driven Style

- Pro-Select™ Controls
- Stay-Put Door
- Fully-Integrated Control Panel with Digital Display
- Tall Tub Design
- GraniteGrey™ Interior

## SpaceWise™ Design

- Largest Silverware Basket<sup>2</sup> – 3 Separate Compartments with 3 Small Item Covers
- Adjustable Upper Rack –
  - Fold-Down Tines
  - 2 Cup Shelves / 2 Cup Clips
  - Stemware Holders
  - Knife Organizer
- Lower Rack –
  - 2 Full Rows Fold-Down Tines
  - High-Side Shelf

## More Easy-To-Use Features

- Delay Start (1-24 Hours)
- Hi-Temp Wash Option
- Heat / No Heat Dry
- Removable Stainless Steel Filter
- Stainless Steel Food Disposer
- Controls Lock

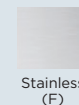
ENERGY STAR®  
NSF® International Certification



## Overall Exterior Dimensions

Height	33-1/2" – 35"
Width	24"
Depth	25"

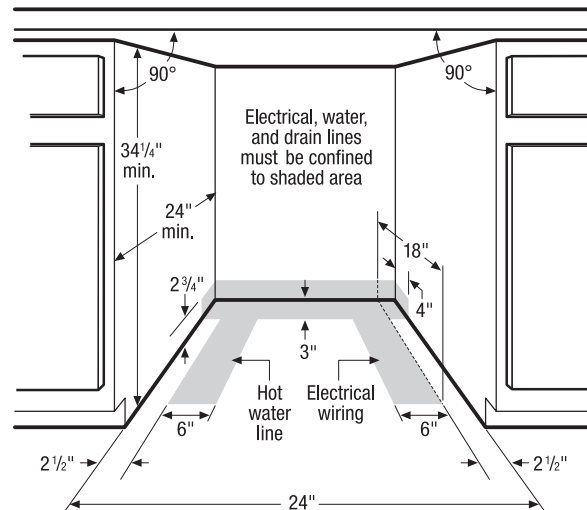
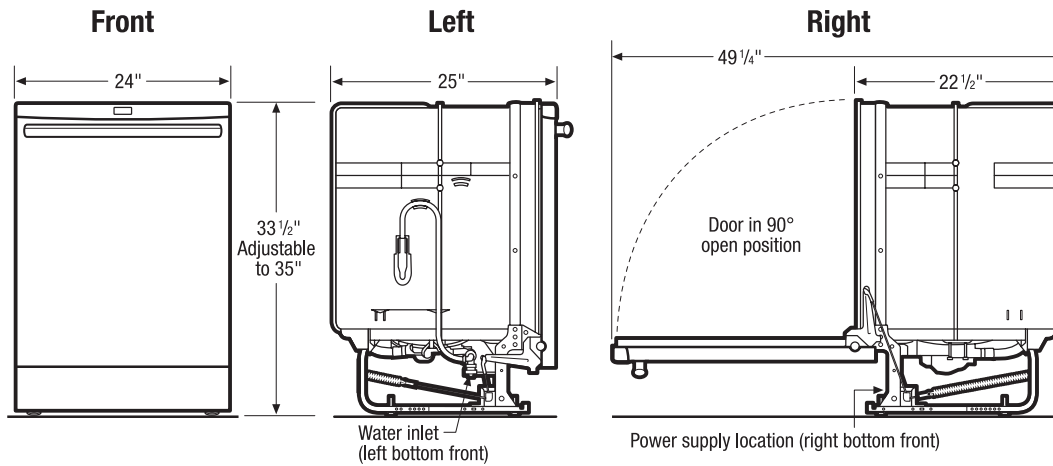
## Available in:



<sup>1</sup>Based on industry standard dryability testing using PowerPlus™ Dry.

<sup>2</sup>Based on published manufacturer specifications for plastic interior dishwashers.

<sup>3</sup>Among leading brands.



**Dishwasher Specifications**

- Product Shipping Weight (approx.) - 83 Lbs.
- Voltage Rating - 120V/60 Hz/15 Amps (maximum 20 Amps if connected with disposer)
- Connected Load (kW Rating) @ 120 Volts = 1.44 kW (For use on adequately wired 120V, dedicated circuit having 2-wire service with a separate ground wire. Appliance must be grounded for safe operation.)
- Amps @ 120V = 10 Amps
- Always consult local and national electric & plumbing codes.
- Water Pressure - Hot water line to dishwasher must provide between 20 and 120 pounds per square inch (psi).
- Make sure location has right drain, water and electrical outlets to make connections.
- Keep back free of drain, water & electrical supply.

- Electrical and water supplies should enter cabinet opening on floor, or through back or side walls, as shown in shaded areas.
- Connections preferably located toward left side of dishwasher. Do not cross drain, water or electrical lines in front of motor, blower or frame.
- When installing adjacent to wall, cabinet or other obstruction that extends beyond front edge of unit, allow 2" minimum clearance between opened door and obstruction.
- When installing at end of cabinet line, sides must be fully enclosed.
- Do not install unit under a cooktop, damage will occur.

**Note:** For planning purposes only. Refer to Product Installation Guide on the web at [frigidaire.com](http://frigidaire.com) for detailed instructions.