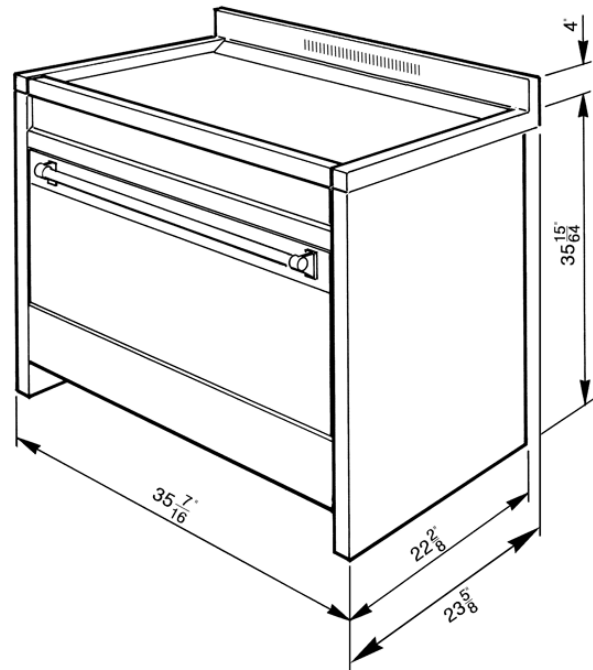


Free-Standing Electric "Opera" Range,
36", Stainless Steel



FUNCTIONS



Exclusive professional style ■ AISI 304 Stainless Steel ■ Ergonomic controls/knobs ■ OVEN ■ Multifunction oven with 9 cooking modes ■ Digital analogue LED electronic clock/ program feature ■ Stay clean liners ■ Air cooled door ■ Triple glazed removable door ■ Halogen oven lights ■ Storage drawer beneath the oven ■ Oven capacity: 3.2 Cu. Ft. ■ Usable oven capacity: 2.47 Cu. Ft. ■ Bake element: 1900W at 240V – 1600W at 208V ■ Broil element: 1750W at 240V – 1450W at 208V ■ Convection element: 2750W at 240V – 2250W at 208V ■ ELECTRIC COOKTOP ■ "Suprema" black ecological glass ■ 5 high-light radiant elements, including 2 variable zones ■ 9 power levels for each zone ■ Residual heat indicator for each zone ■ Automatic safety cut-out ■ 4 HIGH-LIGHT RADIANT ZONES: ■ Front right: 2,000 W - ø 7 8/12" (195mm) ■ Back right: 1,200 W - ø 5 1/2" (140mm) ■ Central: 1,400 + 800 W - ø 6 11/16" x 10 7/16" (170 x 265mm) ■ Back left: 1,200 W - ø 5 1/2" (140mm) ■ Front left: 750 + 1,450 W - ø 8 3/12" (210mm) ■ 4" Stainless steel backsplash as standard ■ Voltage rating: 240/208V - 60Hz ■ Connected load (nominal power): 240/208V- 12 / 10.2kW ■ Amps @ 240/208V: 51 / 59 ■ ACCESSORIES INCLUDED: 1 cleaning scraper 2 baking trays 1 wire rack 1 rotisserie kit 1 wok ring

OPTIONS

- KIT1A1-6 - 29 1/2" Stainless steel backsplash ■ KIT2A1-2 - Kick plate ■ KIT3-6 - Height extension (to rise appliance 2")
- KIT4A1 - Deep kick plate (for use with KIT3-6) ■ KD90XU - Wall mounted hood, stainless steel, 90 cm (approx. 36 inch)
- GTA-6 - 3 Level telescopic shelf set