

COMBINATION INSTALLATIONS



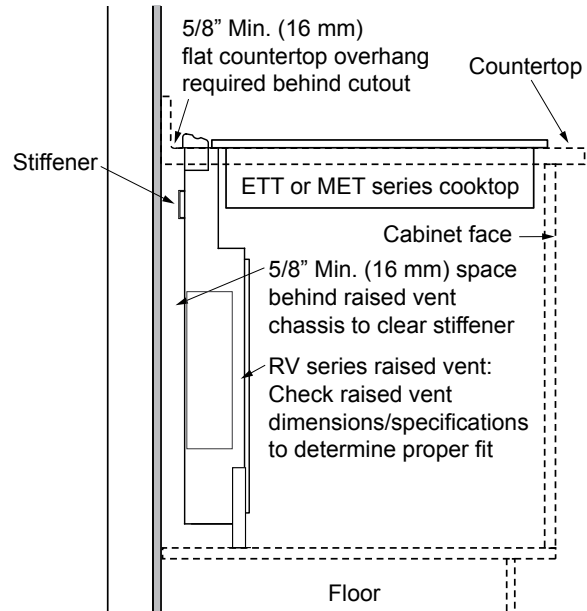
ETT/MET Series Drop-In Electric Cooktop with RV Series Raised Vent

PLANNING GUIDE

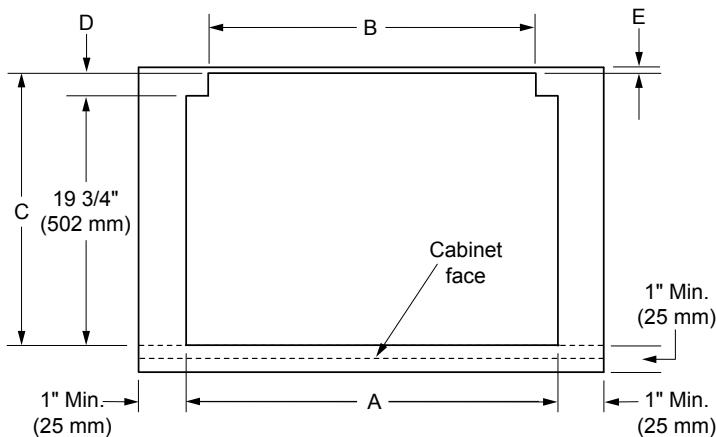
WARNING

- Observe all governing codes and ordinances during planning and installation. Contact your local building department for further information.
- All appliances must be installed in accordance with the accompanying installation instructions.

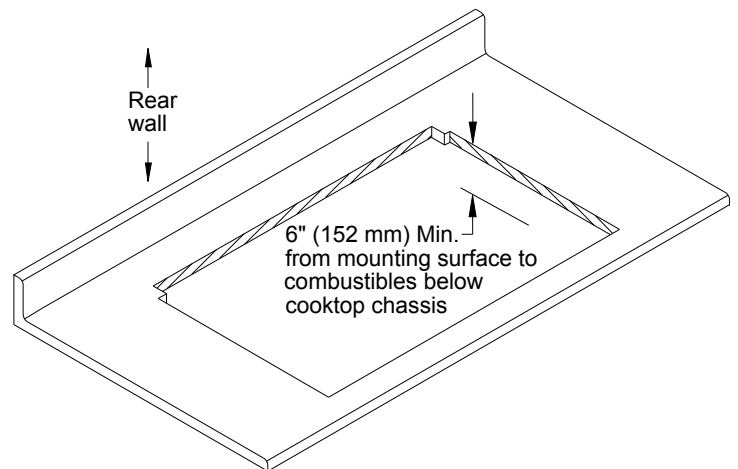
All tolerances: +1/16", -0, (+1.6 mm, -0) unless otherwise stated



RV SERIES RAISED VENT INSTALLATION SIDE VIEW



COUNTERTOP CUTOUT (WITH RAISED VENT) TOP VIEW



COUNTERTOP CUTOUT (WITH RAISED VENT) ISO VIEW

Model/Configuration	A - Cooktop Cutout Width	B - Raised Vent Cutout Width	C - Total Cutout Depth	D - Raised Vent Cutout Depth	E - Minimum Rear Countertop Overhang
ETT304-1 or MET304 cooktop with RV30 raised vent	28 3/4" (730 mm)	27 3/4" (705 mm)	22 1/4" (565 mm)	2 1/2" (64 mm)	5/8" (16 mm)
ETT365-2 or METB365-1 cooktop with RV36 raised vent	34 3/4" (883 mm)	33 3/4" (857 mm)			