

IHL30, IHL36, IHL42, IHL48, IHL54

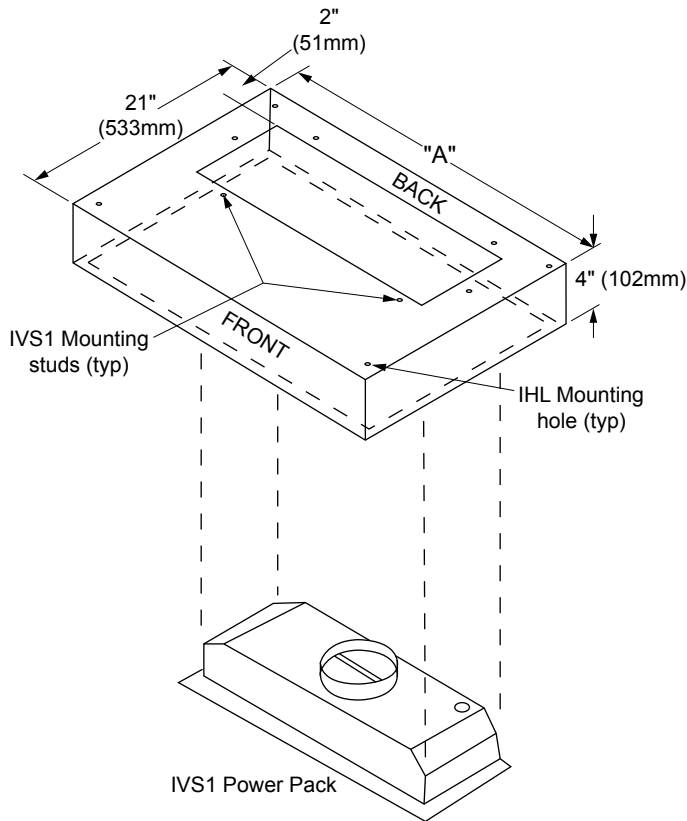


062805

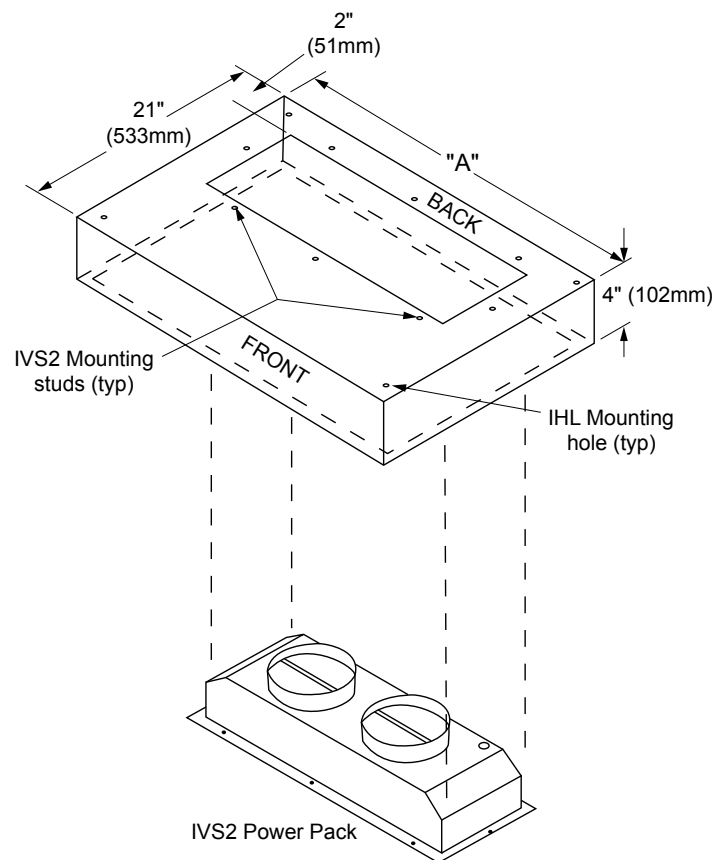
**30", 36", 42", 48", 54" Wide,
Custom Hood Liners**

1/1

**PLANNING
GUIDE**



IHL30/36 OVERALL DIMENSIONS
(Isometric View)



IHL42/48/54 OVERALL DIMENSIONS
(Isometric View)

Model No.	"A" Overall Width
IHL30 (for use with IVS1/R1 Only)	27" (686mm)
IHL36 (for use with IVS1/R1 Only)	33" (838mm)
IHL42 (for use with IVS2/R2 Only)	39" (991mm)
IHL48 (for use with IVS2/R2 Only)	45" (1143mm)
IHL54 (for use with IVS2/R2 Only)	51" (1295mm)