

DCM24, ACTK27, ACTK30, ACTK36, AOCTK27, AOCTK30

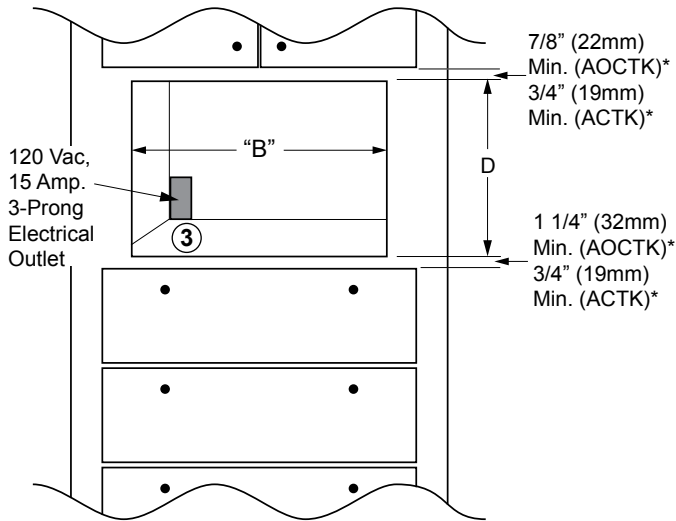
Document # PG12-001

Revised 04/02/09 Page 1/1



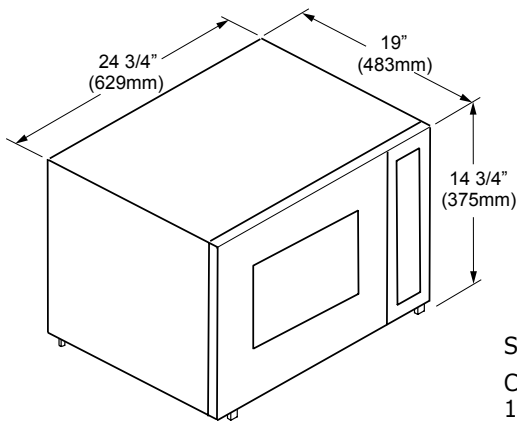
Convection Microwave Oven and Trim Kits

PLANNING GUIDE



MICROWAVE AND TRIM KIT

*Bare minimum spacing: Includes additional space to avoid scraping/vibration.



DCM24 SPECIFICATIONS

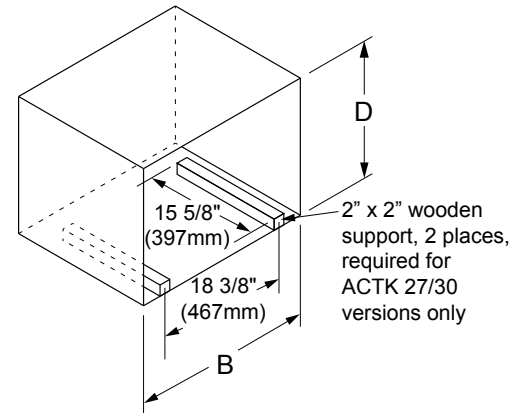
Shipping Weight: 60 lbs.
 Circuit Required: 120 Vac, 15 Amp. dedicated
 Total (Connected Load): 1.6 Kw (13 Amp.)



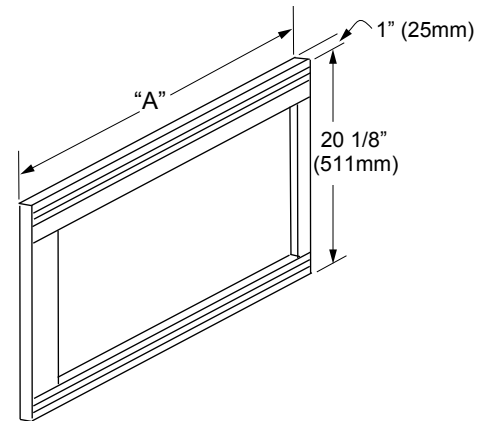
NOTE:

1. 24" (610mm) minimum exterior cabinet depth.
2. See the Combination Installation (CI) section if installing with a wall oven, or warming oven.
3. 3/4" (19mm) support platform (flush with cutout).
4. Microwave is supplied with a 42" (1067mm) power cord, with a three prong grounded plug.

All tolerances: +1/16", -0, (+1.6mm, -0) unless otherwise stated

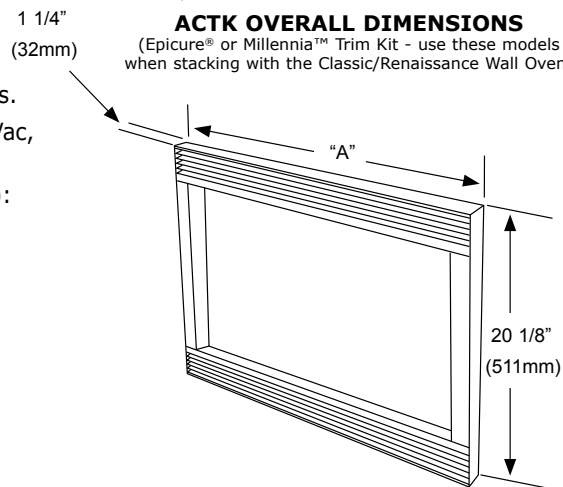


CUTOUT DIMENSIONS ISOMETRIC VIEW



ACTK OVERALL DIMENSIONS

(Epicure® or Millennia™ Trim Kit - use these models when stacking with the Classic/Renaissance Wall Oven)



AOCTK OVERALL DIMENSIONS

(Epicure® or Millennia™ Trim Kit - use these models when stacking with the Discovery Wall Oven)

Model No.		"A" Overall Width	"B" Cutout Width	"D" Cutout Height	Top Overlay	Bottom Overlay	Approximate Shipping Weight
ACTK27	For Use With Wall Oven Models: EOR, MOR, EC, MC, PC	27" (686mm)	25 1/4" (641mm)	19 1/8" (486mm)	1/2" (13mm)	1/2" (13mm)	15 lbs.
ACTK30		30" (762mm)	28 1/4" (718mm)	19 1/8" (486mm)			16 lbs.
ACTK36		36" (914mm)	25" (635mm)	19 1/8" (486mm)			20 lbs.
AOCTK27	For Use With Wall Oven Models: EO, MO, PO	27" (686mm)	25 1/4" (641mm)	18 1/2" (470mm)	5/8" (16mm)	1" (25mm)	19 lbs.
AOCTK30		30" (672mm)	25 1/4" (641mm)	18 1/2" (470mm)			20 lbs.