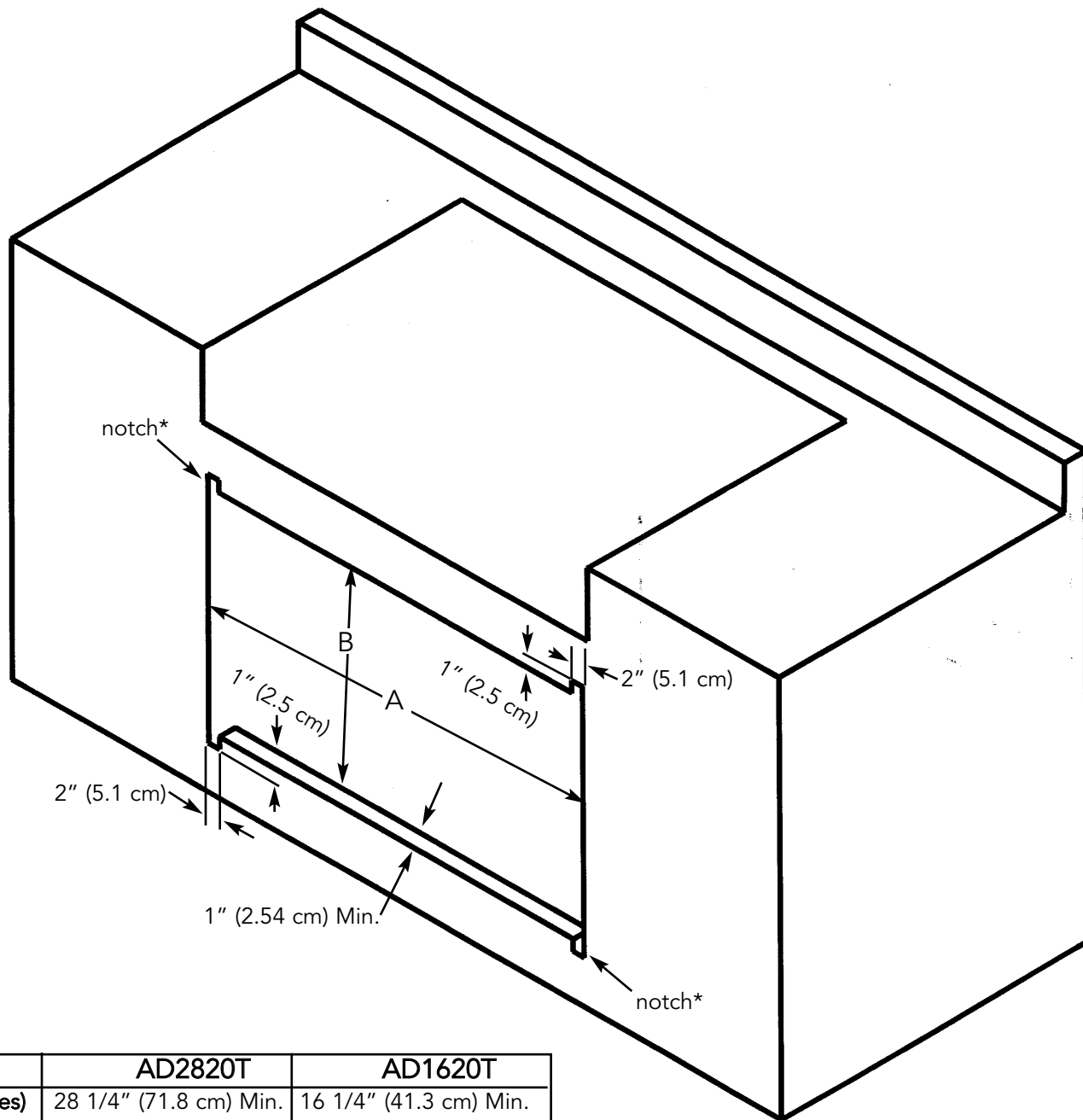


# INSTALLATION INSTRUCTIONS

VIKING RANGE CORPORATION  
111 Front Street  
Greenwood, Mississippi 38930 USA  
(662) 455-1200

## ACCESS DOORS FOR VGBQ "T" SERIES GAS GRILLS

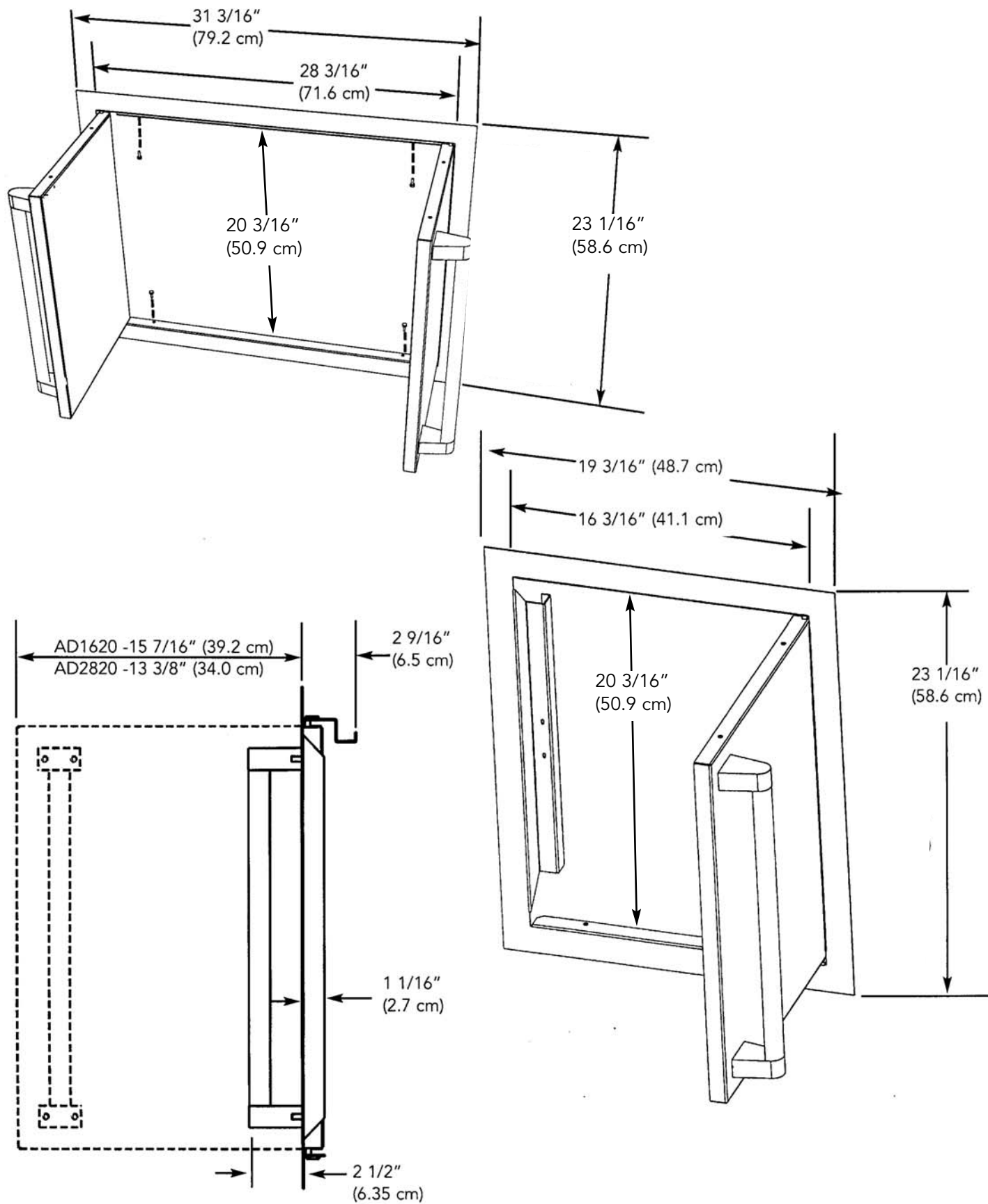
Retain for Future Reference



	AD2820T	AD1620T
<b>A (includes notches)</b>	28 1/4" (71.8 cm) Min. 30 1/4" (76.8 cm) Max.	16 1/4" (41.3 cm) Min. 18 1/4" (46.4 cm) Max.
<b>B (opening only)</b>	20 1/4" (51.4 cm) Min. 20 1/2" (52.1 cm) Max.	20 1/4" (51.4 cm) Min. 20 1/2" (52.1 cm) Max.

\*Before centering doors in opening, make the notches in all four corners for double access doors and only in the hinge side for single access doors. The notches need to be 1" long x 2" wide. Attach with the four screws that are provided.

**For Single Access Door (AD1620T):** Only notch the side where the hinge is located. Door can be mounted with left or right door swing



VIKING RANGE CORPORATION  
 111 Front Street • Greenwood, Mississippi 38930 • (662) 455-1200  
 Specifications subject to change  
[www.vikingrange.com](http://www.vikingrange.com)