

*Frigidaire*

Factory Parts Catalog

Product No.	FEB24S5ABC	FEB24S5AQC	FEB24S5ASC
	38254432G1063	38254432G1043	38254432G1013
Series	24" single	24" single	24" single
Color	black	bisque	white
Market	North America	North America	North America
Wiring Diagram	318046221	318046221	318046221
Owner's Guide	318205114	318205114	318205114
Installation Instructions	318201509	318201509	318201509
Service Data Sheet	318047410	318047410	318047410
Timer Guide	318200191	318200191	318200191

 **Electrolux**

Electrolux Major Appliances  
 North & Latin America  
 P.O. BOX 212378  
 AUGUSTA, GA 30917

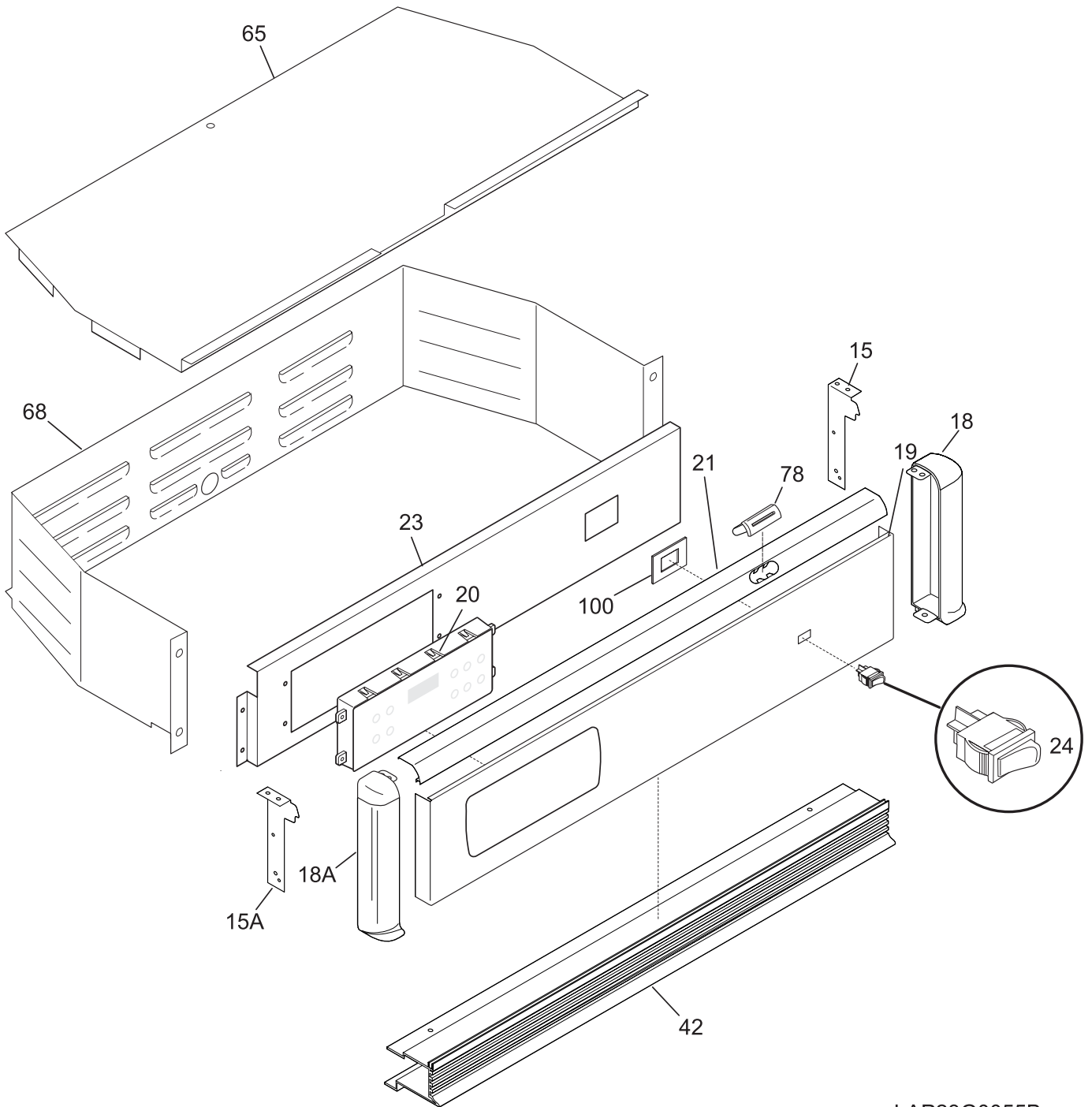
Publication No.  
**5995489225**  
 07/04/20  
 (EN/SERVICE/ECL)  
 377

**SINGLE ELECTRIC  
 WALL OVEN**

**Model No.  
 FEB24S5A**

Copyright © 2007 Electrolux Home Products, Inc.  
 All rights reserved.

**CONTROL PANEL**



LAP23G0055B

**CONTROL PANEL**

*Model Index:* A FEB24S5A (FEB24S5ASC)  
 B FEB24S5A (FEB24S5ABC)  
 C FEB24S5A (FEB24S5AQC)

POS. NO	PART NO.		DESCRIPTION
15	5303302286	A B C	Support, backguard, RH
15A	5303302287	A B C	Support, backguard, LH
18	5303311208	A - -	End Cap, white, RH
18	5303311231	- B -	End Cap, black, RH
18	318190300	- - C	End Cap, bisque, RH
18A	5303311209	A - -	End Cap, white, LH
18A	5303311232	- B -	End Cap, black, LH
18A	318190301	- - C	End Cap, bisque, LH
19	318234102	A - -	Panel, control, white
19	318234103	- B -	Panel, control, black
19	318234104	- - C	Panel, control, bisque
20 #	318185446	A - -	Clock/Timer, electronic, white, ES300
20 #	318185447	- B -	Clock/Timer, electronic, black, ES300
20 #	318185448	- - C	Clock/Timer, electronic, bisque, ES300
20*	316220804	A - -	Overlay, clock, white, ES300
20*	316220805	- B -	Overlay, clock, black, ES300
20*	316220806	- - C	Overlay, clock, bisque
*	318189301	A B C	Deflector, timer
21	5303320425	A - -	Trim, top, white
21	5303300408	- B -	Trim, top, black
21	318028110	- - C	Trim, canopy, bisque
23	318015035	A B C	Bracket, clock/timer mtg
24 #	316005607	A - -	Switch, rocker, white
24 #	316005602	- B -	Switch, rocker, black
24 #	318037520	- - C	Switch, rocker, bisque, oven light
42	5303316649	A - -	Trim, vent, white
42	5303316651	- B -	Trim, vent, black
42	318027514	- - C	Trim, vent, bisque
65	318038804	A B C	Cover, control housing
68	5303302397	A B C	Housing, control
78	318037122	A - -	Cover, oven vent, white
78	318037121	- B -	Cover, oven vent, black
78	318037120	- - C	Cover, oven vent, bisque
100	318112200	A B C	Plate, mounting, rocker switch
*	08002868	A B C	Screw, 10-24 x 0.500, probe, thrm brkt, shield, drwr, box
*	5303211311	A B C	Screw, 8 x 0.500
*	5303302745	A B C	Screw, 10-16x1-1/8, square drive
*	5303311528	A B C	Screw, oval hd sq dr, 6-20AB x 0.625, black

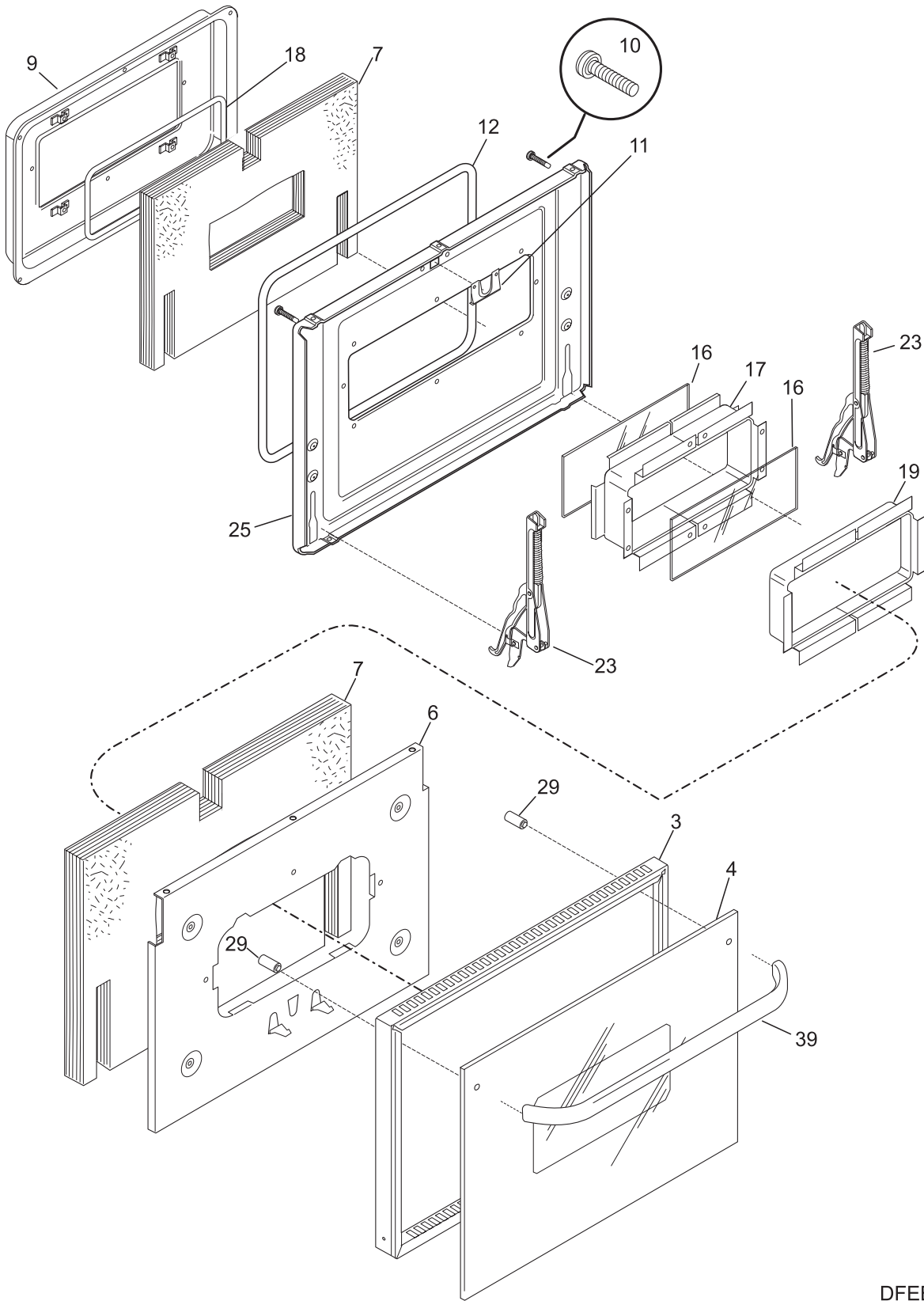


**BODY**

Model Index: A FEB24S5A (FEB24S5ASC)  
 B FEB24S5A (FEB24S5ABC)  
 C FEB24S5A (FEB24S5AQC)

POS. NO	PART NO.		DESCRIPTION
2	318195900	A B C	Wrapper, outer, top
6	318345204	A B C	Rack, oven, (2)
9	5303317977	A B C	Pan, broilerOPTIONAL ACCESSORY
10	5303317976	A B C	Insert, broiler panOPTIONAL ACCESSORY
12 #	318089913	A B C	Switch, light
14	318224000	A B C	Receptacle, oven light
15	5303013071	A B C	Bulb/Lamp, light
16	08011086	A B C	Lens, oven light, glass
17	5304400195	A B C	Retainer, light cover
37 #	316217002	A B C	Probe, oven temp
41	5303310526	A B C	Cover, hinge cutout
54	318222400	A B C	Housing, oven light
56	5303302711	A - -	Trim, bodyside, white
56	5303298951	- B -	Trim, bodyside, black
56	318176900	- - C	Trim, bodyside, bisque
58A	318285044	A B C	Insulation, oven wrapper
58B	318285036	A B C	Insulation, oven back
58C	5303311220	A B C	Insulation, oven vent
59	318072537	A B C	Tube, oven vent
62 #	316056000	A B C	Terminal Block
62*	5303323144	A B C	Nut, 10-32
66 #	318255601	A B C	Element, broil, 3400W
67 #	318255101	A B C	Element, bake, 2100W
68	5304403015	A B C	Support, hanger, (2), broil element
71	318071111	A B C	Shield, rear wall
76	318056139	A B C	Front, oven
80	318192400	A B C	Spring, oven
81	5303323710	A B C	Bracket, oven
82	5303305035	A B C	Shield, insulation
83	318089521	A B C	Liner, oven
86	5303310524	A B C	Receptacle, hinge
88	318118903	A B C	Rod, latch
89	318095943	A B C	Motor, latch assy, w/brkt & switch
89*	318120711	A B C	Switch
97	318066602	A B C	Wrapper, back & sides
98	318029342	A B C	Trim, side, inner, RH
98A	318029343	A B C	Trim, side, inner, LH
99	318284201	A B C	Panel, adjustable, side, (2)
101	318039512	A - -	Bracket, trim, white
101	318039511	- B -	Bracket, trim, black
101	318039514	- - C	Bracket, trim, bisque
103	318028711	A - -	Trim, base, white
103	318028710	- B -	Trim, base, black
103	318028713	- - C	Trim, base, bisque
121	318145005	A B C	Wrapper, base
123	318071444	A B C	Shield, insulation, top & sides
126	3016303	A B C	Clip, insulator
127	318317100	A B C	Adapter Assembly, vent tube, w/converter
128	5303311163	A B C	Bushing
129	5303311164	A B C	Spring
141#	5303302280	A B C	Thermostat, safety
187	318013501	A B C	Tube, latch rod
189	318042500	A B C	Plate, retainer
227	318370900	A B C	Clip, retainer
* #	318078563	A B C	Box & wires assy
*	3015722	A B C	Clip, wire retainer
*	08016432	A B C	Screw, truss head, 8-18 x 0.375
*	5303211311	A B C	Screw, 8 x 0.500
*	5303323277	A B C	Screw, 8-18 X 13/32

DOOR



DFEB24S5ASC

---

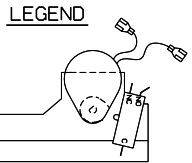
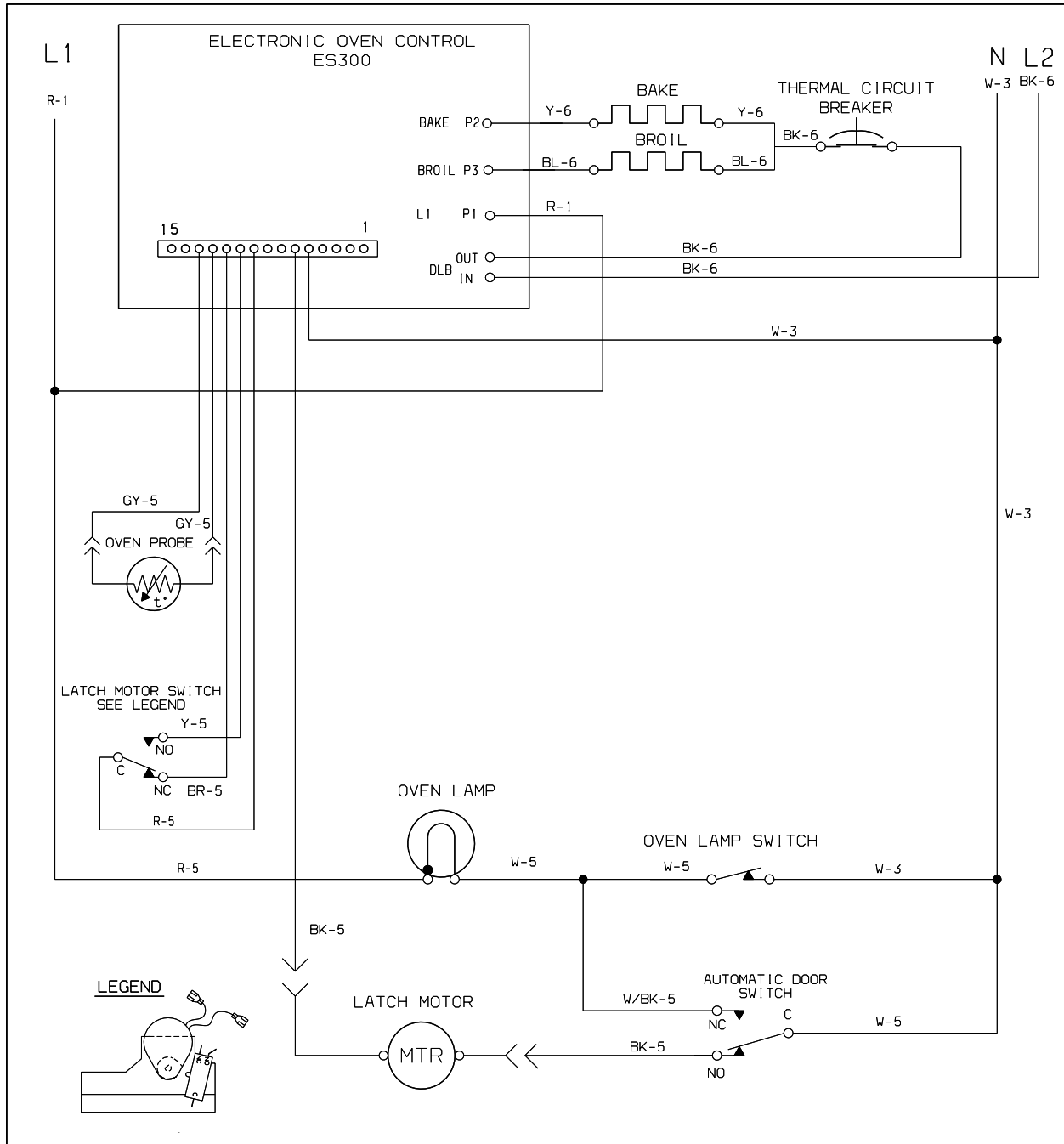
**DOOR**


---

*Model Index:* A FEB24S5A (FEB24S5ASC)  
 B FEB24S5A (FEB24S5ABC)  
 C FEB24S5A (FEB24S5AQC)

POS. NO	PART NO.		DESCRIPTION
3	318026102	A - -	Trim, oven door, white
3	318026520	- B -	Trim, oven door, black
3	318026104	- - C	Trim, oven door, bisque
4	318051515	A - -	Glass, oven door, white, outer
4	318051516	- B -	Glass, oven door, black, outer
4	318051517	- - C	Glass, oven door, bisque, outer
6	318073600	A B C	Shield, air wash
7	318285037	A B C	Insulation, oven door
9	318038600	A B C	Liner, oven door
10	5303311217	A B C	Screw, handle, door
11	318065102	A B C	Latch, door
12	318178801	A B C	Seal, oven door, upper oven
16	5303324250	A B C	Glass, door, 13 1/2 x 6 1/2
17	318139100	A B C	Spacer, glass, upper oven
18	318293510	A B C	Gasket, door glass seal
19	318139201	A B C	Collar, glass mtg
23	5303310506	A B C	Hinge, oven door, upper oven
25	318048309	A B C	Liner, oven door
29	318014403	A B C	Spacer, door
39	318362820	A - -	Handle Assembly, door, white, w/spacer
39	318362822	- B -	Handle Assembly, door, black, w/spacer
39	318362821	- - C	Handle Assembly, door, bisque, w/spacer
*	3202113	A B C	Plug, button
*	5303316982	A B C	Foam seal, (2)
*	08016432	A B C	Screw, truss head, 8-18 x 0.375
*	5303211311	A B C	Screw, 8 x 0.500
*	5303302745	A B C	Screw, 10-16x1-1/8, square drive
*	5303323277	A B C	Screw, 8-18 X 13/32

**WIRING DIAGRAM**



6	16	200	3122
5	18	200	3122
4	14	150	3321
3	18	150	3321
2	18	125	3173
1	16	150	3321
WIRE	GAGE	TEMP °C	UL STYLE

**IMPORTANT:**  
USE COPPER WIRE ONLY.

**WARNING**  
DISCONNECT POWER BEFORE SERVICING UNIT.

COLORS			
BK	BLACK	W/BK	WHITE/BLACK
BL	BLUE	PR	PURPLE
BR	BROWN	R	RED
C	COPPER	V	VIOLET
G	GREEN	W	WHITE
GY	GRAY	Y	YELLOW
O	ORANGE		

**318046221 Rev. A**