

Frigidaire

Factory Parts Catalog

Product No.	FCRS201LFB0
Series	Commercial
Color	stainless
Volts	115
Owner's Guide	297068700
Market	North America
Energy Guide	297086200

 **Electrolux**

Electrolux Major Appliances
North & Latin America
P.O. BOX 212378
AUGUSTA, GA 30917

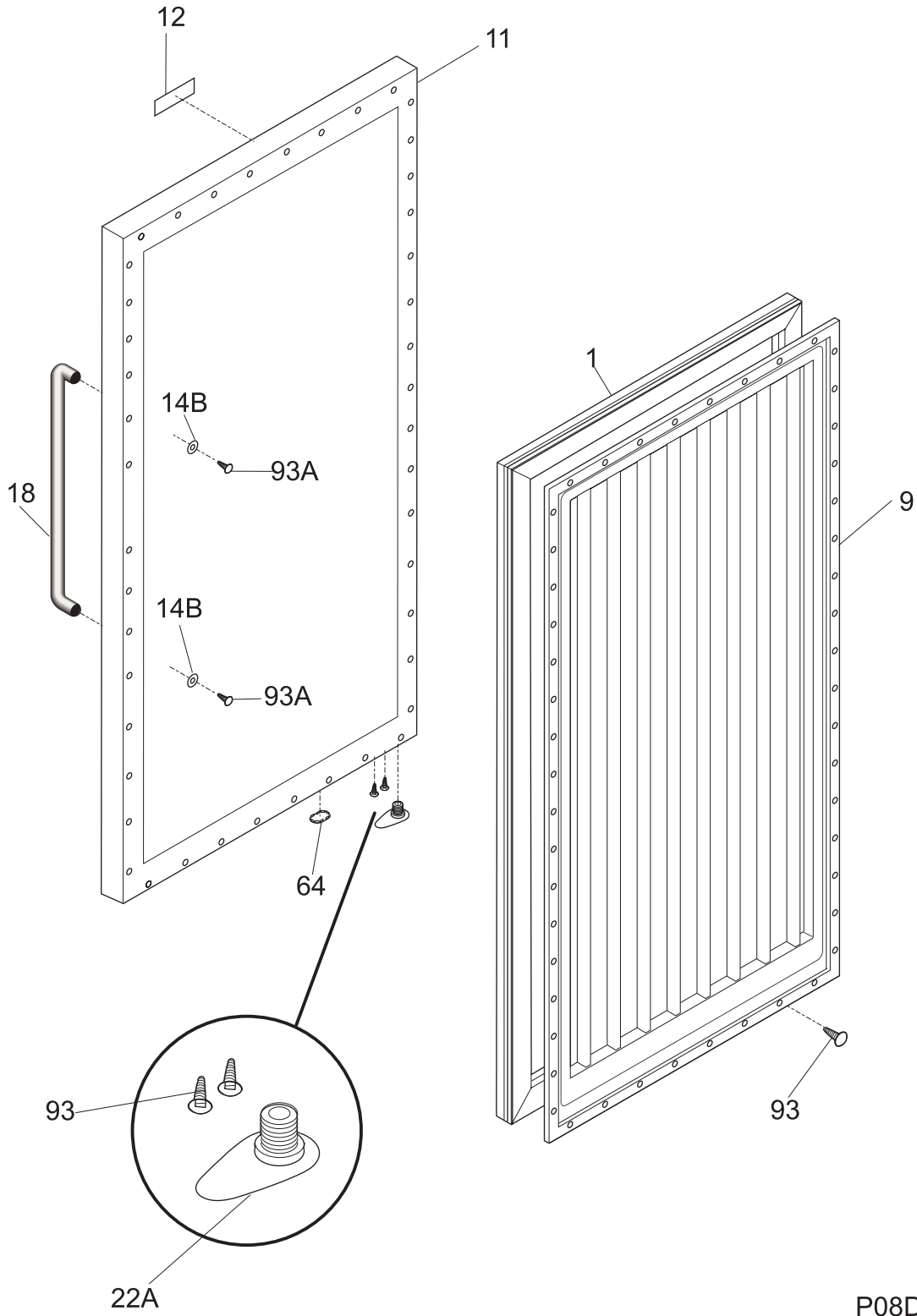
Publication No.
5995463808
06/03/22
(EN/SERVICE/MLR)
365

REFRIGERATOR

Model No.
FCRS201LFB

Copyright © 2006 Electrolux Home Products, Inc.
All rights reserved.

DOOR

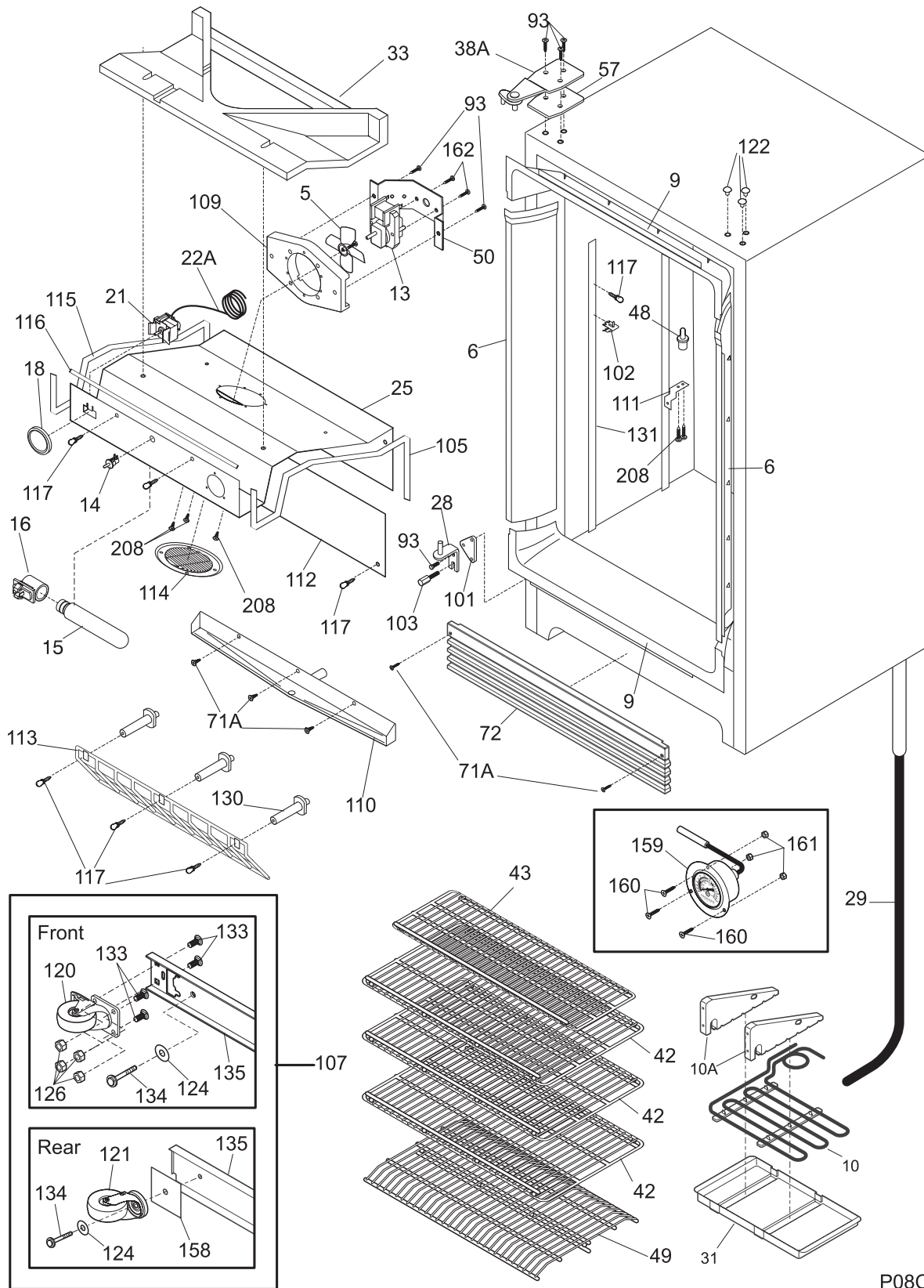


P08D0474

DOOR

POS. NO	PART NO.	DESCRIPTION
1	216522318	Gasket-door, black
9	297071000	Panel-inner door, refr
11	216450101	Panel-outer door
12	297073400	Nameplate, Commercial, stainless
14B	5303311368	Washer, flat
18	216714100	Handle-door
22A	216335400	Bearing-hinge
64	216403701	Plug-button, hole filler, door base
93	5303161215	Screw, ph truss head, 8-18AB x 0.500
93A	5303302760	Screw, round head sems, 10-32 x 0.375
*	216923003	Plug button, 1/4", grey

CABINET



P08C0888

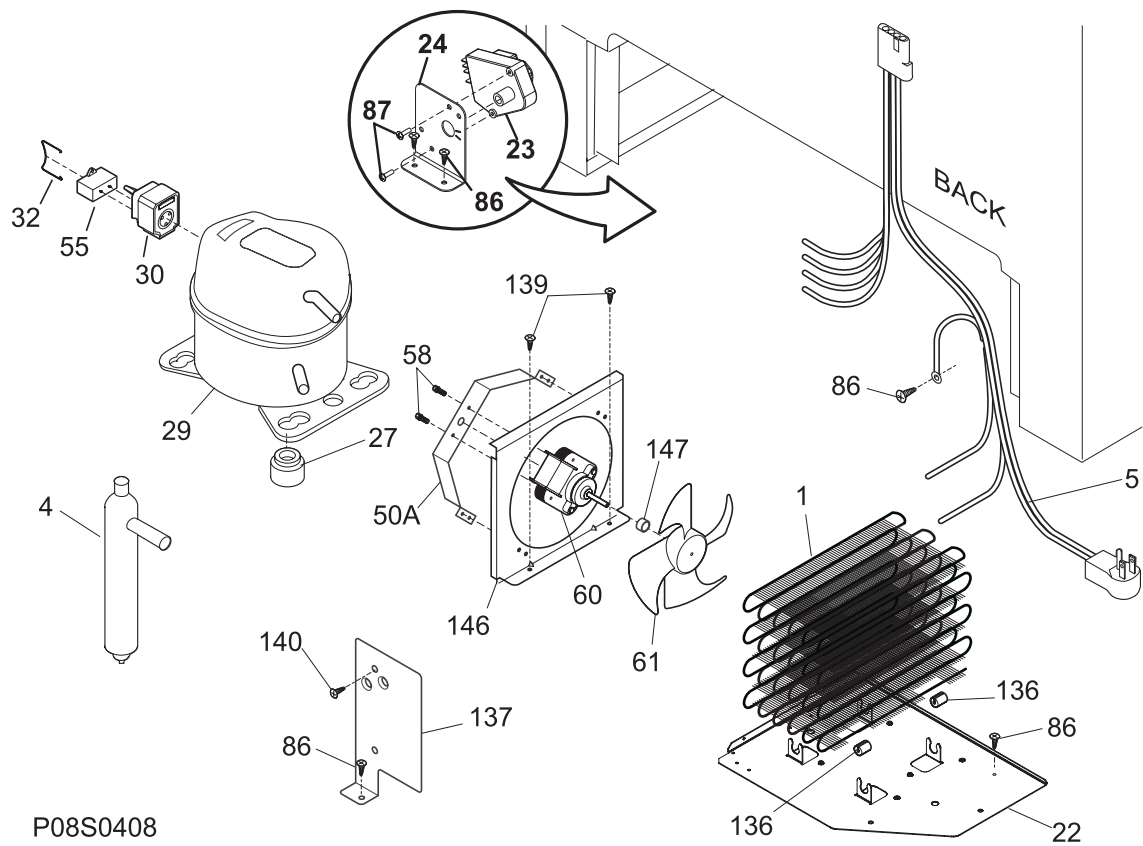
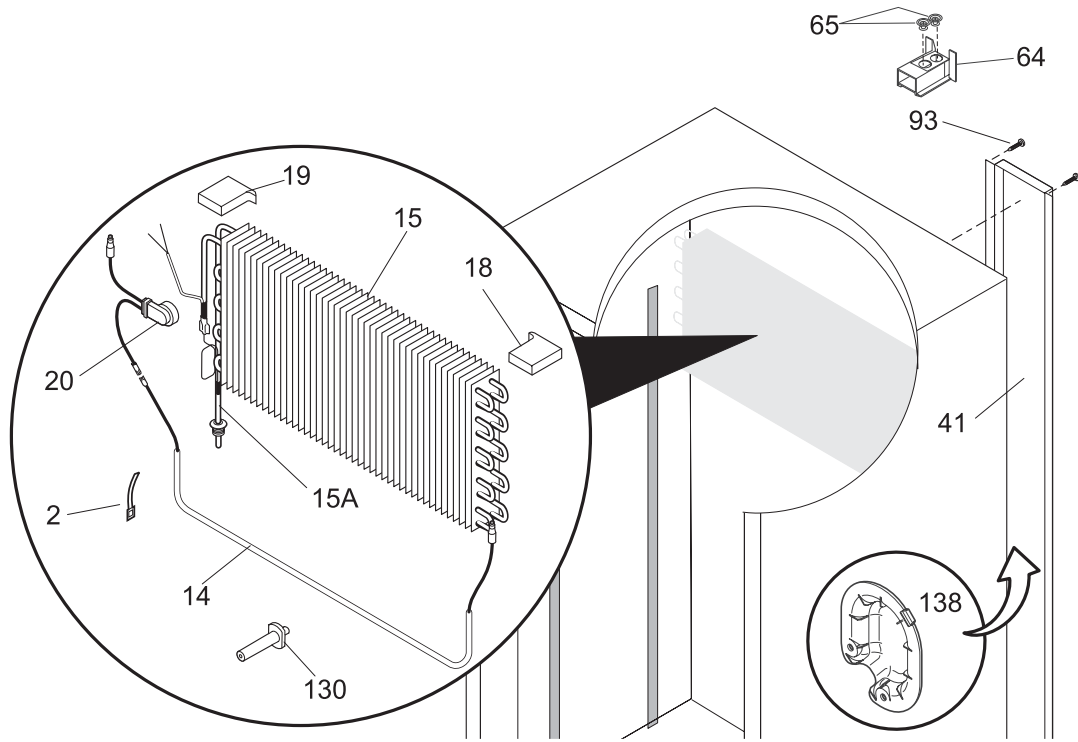
CABINET

POS. NO	PART NO.	DESCRIPTION
5 #	216325600	Fan Blade
6	216604100	Breaker Kit w/corners
9	216603300	Breaker Kit w/corners, 32", top or bottom
10	216999400	Tubing- heater, formed
10A	216933701	Bracket, drain pan, w/hole, (2)
10A*	216917100	Screw, 8-18x.625, flat sems, (2), bracket
13 #	216934100	Motor, fan, 115 V
14	216472300	Switch-light plunger
15	216518100	Light Bulb/Lamp
16	216817601	Socket, light/lamp, 25 W
18	216591501	Knob, temp control
21#	216423900	Control-temperature
22A	5303916855	Tube, sensor sleeve, plastic, clear
25	216659103	Cover-evaporator
28	216335600	Hinge-bottom, stepped pin
29	216361901	Hose-drain
*	297001705	Insulation, 84", drain tube
31	216732400	Pan-drain
*	216742701	Screw, 8-18 x 9/16, black, (4)
33	216680900	Duct-air
38A	216365200	Door Closer
42	216384001	Shelf, wide, (3), full
43	216386201	Shelf, half width
48	08000456	Spacer-baffle plate
49	216331801	Trivet, wide
50	08013207	Bracket-fan motor
57	216335500	Spacer-hinge, top
71A	216395800	Screw, 1/4 20 x 1/2
72	297071200	Grille/Kickplate
93	5303161215	Screw, ph truss head, 8-18AB x 0.500
101	216335700	Plate-hinge, tapping
102	216605300	Support shelf, adjustable
103	216336300	Standoff-base panel
105	216361100	Gasket-cover evap, RH
107	297085800	Castor Kit
*	297086600	Caster, hardware kit
109	297014200	Venturi, blower
110	216377000	Pan-drain, condensate
111	297066000	Bracket-evap cover
111*	3017666	Nut-insert
112	216381300	Cover-drain, condensate
113	216383601	Grate-air intake
114	297014400	Cover-blower
115	216383700	Gasket-evap cover, LH
116	216383800	Gasket-evap cover, front
117	216605500	Thumbscrew
120	216658200	Roller-front, w/brake, (2)
121	216495200	Roller-rear, (2)
122	297095301	Plug, black
124	216658500	Washer, flat, 5/16, front, (2)
126	216658600	Nut, locking, 5/16-18, front, (10)

CABINET

POS. NO	PART NO.	DESCRIPTION
130	216486800	Support, evaporator mtg
131	216605200	Shelf-standard
133	216658400	Bolt, caster, 5/16 sq. neck, front, (8)
134	297084400	Bolt, castor, 5/16" 18x1.625, rear
135	216658102	Support-casters, black
158	297078600	Plate-spacer
159	297070200	Dial, thermometer
160	297089700	Screw, 6-32 x .375, SS, thermo dial
161	297092100	Nut, 6-32, SS, thermo dial
162	216912400	Screw, hex washer head, #8-32 x .500, bracket fan mtr, (2)
208	216504500	Screw, AB, 8-18x.500
*	5303311565	Clip-cable
*	5303305324	Paint, touch-up, white
*	297086200	Energy Guide

SYSTEM



P08S0408

SYSTEM

POS. NO	PART NO.	DESCRIPTION
1 #	5300083897	Condenser
*	5303313652	Cap, protective, condenser
2	5308000110	Strap-evap/heater, aluminum, (2)
4 #	216938600	Drier-filter
5 #	297069200	Harness-main
5*	216987800	Adapter-harness
14	216730700	Heater-defrost
15 #	297052900	Evaporator
15A	216424200	Heat Exchanger
18	216727600	Insulator-evap, styrofoam
19	216727700	Insulator-evap, styrofoam
20	216872200	Thermostat, defrost
22	216970300	Base, condenser
23 #	216744500	Timer-defrost
24	216968500	Bracket-timer
27	5308002681	Grommet, compressor
29 #	297068200	Compressor, w/o electricals
*	240491501	Screw-compressor mtg, 1/4-28 x 1.16, (4)
30	216954210	Controller
32	216649100	Clamp, elec cont mtg, compressor
41	297070700	Cover-wiring, rear
50A	240524001	Bracket, fan motor mount
55	218909913	Capacitor, run, 220 VAC, 15 microfarad
58	218897002	Screw, hex washer head, 8-32 x 0.375
60 #	240525401	Motor-condenser fan
61 #	240524101	Fan Blade, galv steel, condenser fan
64	216578800	Vent
65	5309950074	Valve, breather
86	216036600	Screw, ph washer head, 8-32CA x 0.500, thread forming
87	08037849	Screw, ph truss head, 6-32(T) x 0.500, thread cutting
93	5303161215	Screw, ph truss head, 8-18AB x 0.500
130	216486800	Support, evaporator mtg
136	240405201	Grommet, rubber, black, cond tube/wire
137	297090300	Barrier-fan
138	297070800	Cover-drain hose
139	216337700	Screw, hex washer head, 10-24 x 0.500
140	216050505	Screw, #10-32x9/16, zinc gx, fan barrier
146	216970200	Shroud-fan orifice
147	240560001	Ring-compression
*	297082300	Harness-jumper
*	5303298960	Spacer-tube, 0.237" ID
*	5303311565	Clip-cable