



# KITCHEN CLEANUP Built-In 24"W. Dishwasher 450



## Standard Features & Accessories

### All models include:

- **Exclusive** Vari-Pressure Intelli-Wash™ System
  - **Exclusive** variable speed 1/2 horsepower commercial-type motor
  - **Exclusive** multi-level washing with two stainless steel wash arms
  - **Exclusive** Block-proof Flexible-Fluid™ coupling direct water feed
- **Exclusive** Central Intelligence™ System
  - Constant communication
  - Measures water temperature and water volume
- **Exclusive** Five-Stage Filtration and Waste Removal System
  - Removable coarse strainer
  - **Exclusive** Triple-Clean™ filtration with self-cleaning jets
  - **Exclusive** ultra hard food waste disposer/motor/pump
- **Exclusive** Sure-Temp™ Water Heating
  - 1400 watt HydroFlo™ water heater
  - Operable with "cold" ground water
- **Air-Flo™** Gentle Drying
  - Gentle, effective and safe heated fan-driven system
  - Fan circulates gentle air over, under and around dishes
- **QuietClean™** Performance Package
  - Separate motor/pump assemblies for washing and draining
  - Multi-stage sound absorbing/heat retaining insulation
  - Blue LED power-on light in kickplate indicates cycle is operating
- "Load-As-You-Like" Versa-Load™ Racks
  - Accommodates 15 international place settings
  - Fully extendable nylon coated racks
  - Two-Piece silverware/cutlery basket
  - Lower rack has 4 rows of 3 position one-piece fold-down tines
- Roller Bearing™ upper rack has 3 rows of multi-position Hold Tight™ dividers, 1 one-piece stemware cradle/cup shelf and 1 one-piece cup shelf
- **Exclusive** Diamond-Brite™ stainless steel tank and inner door
- Cycles – Pots/Pans, Normal Wash, Econo Wash, Light/China, Rinse/Hold
- Options – Econo Dry, 155°F Final Rinse, Top Wash Only, Delay Start (up to 10 hours)
- Energy Star Qualified

## Model Options



**VDB450  
Professional  
Built-In Dishwasher**

- Finish details for VDB model
- Stainless Steel (SS)



**DFB450  
Custom Front  
Built-In Dishwasher**

- Finish details for DFB model
- Handles not included—opt for custom handles or purchase a Viking Professional or Designer handle kit (see **Installation Notes & Accessories**)
  - Door panel not included.\*
  - See **Custom Panels** section for more information and additional specifications.

### ORDERING INSTRUCTIONS

\*Door panel not included. Must order either a Professional w/o louvers (PDDP24), Professional w/louvers (PDDPL24), or Designer (DDDP24) door panel if a custom panel will not be used. Specify color code at end (PDDP24SS). If ordering optional brass trim, specify code at end (PDDP24SSBR). If ordering a custom model (to be fit with a custom panel or with a color panel), use no color or trim code (DFB450).





# KITCHEN CLEANUP Built-In 24"W. Dishwasher 450



★ Please see Installation Notes & Accessories for important installation information, including panel and handle kits.

## Dimensions & Specifications

### PRODUCT DIMENSIONS

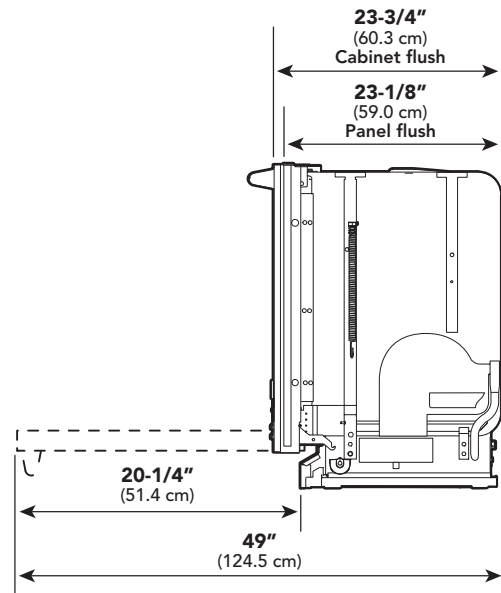
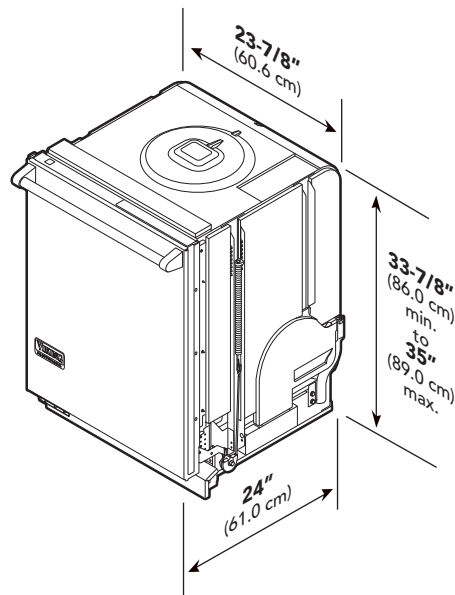


**VDB450**  
Professional  
Built-In Dishwasher



**DFB450**  
Custom Front  
Built-In Dishwasher

See Custom Panels section for more information and additional specifications.



**Note:** If the dishwasher is installed in a corner, there must be a minimum clearance of 2" (5.1 cm) from the side wall so the door can open.

All models	
Overall width	23-7/8" (60.6 cm)
Overall height (from floor)	33-7/8" (86.0 cm) min. to 35" (89.0 cm) max.
Overall depth (from rear)	
To edge of side (includes door panel)	24" (61.0 cm)—includes door panel
With door open	49" (124.5 cm)

**Note:** This unit is NOT designed to be installed without trim. All dimensions include trim.





### UTILITY REQUIREMENTS



**GAS**  
Not applicable



- ELECTRICAL**
- Five-foot (1.5 m), electrical cord with 90 degree 3-prong plug
  - 120V/60 Hz
  - Maximum amp usage—15.0 amps
  - Water-heating element rating—1,400 watts



- PLUMBING**
- 120°F (49°C) hot water recommended; dishwasher will, however, perform properly with cold water\*
  - Inlet water pressure operating range—10 – 125 psi (0.69 – 8.62 bar)
  - Five foot (1.5 m) braided stainless steel water line with 3/8" (0.95 cm) compression fitting supplied with dishwasher
  - Seven-foot (2.13 m) 1/2" (1.3 cm) ID "crimp-proof" flexible drain hose with clamp attached to dishwasher; connections provided for 5/8" (1.5 cm), 3/4" (1.9 cm), or 1" (2.5 cm) cut as required
  - High loop of drain hose required; min. height from floor—20" (50.8 cm)
  - Check local codes for drain air gap requirement

\*Cycle times will be extended

## Installation Requirements

### ACCESS REQUIREMENTS

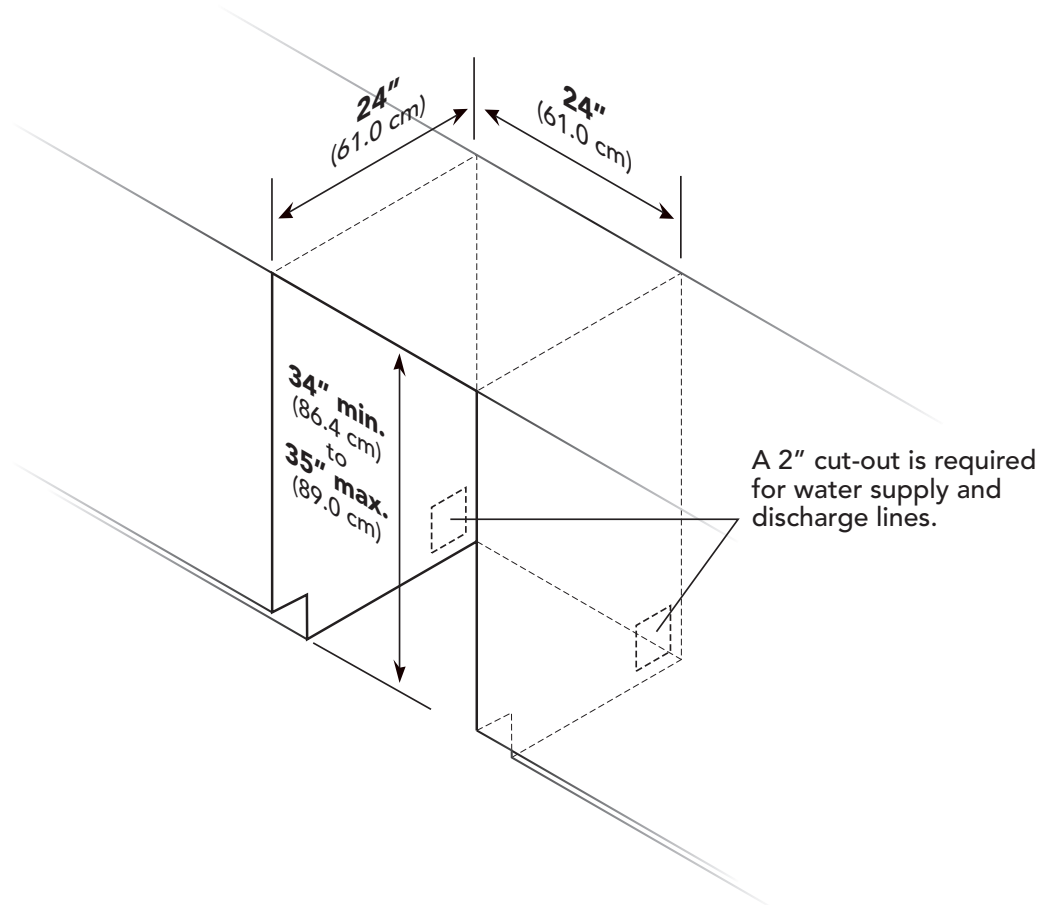


**VDB450**  
**Professional**  
**Built-In Dishwasher**



**DFB450**  
**Custom Front**  
**Built-In Dishwasher**

See **Custom Panels** section for more information and additional specifications.



#### All models

Cutout width	24" (61.0 cm)
Cutout height	34" (86.4 cm) min. to 35" (89.0 cm) max.
Cutout depth	24" (61.0 cm)



# KITCHEN CLEANUP Built-In 24"W. Dishwasher 450



## ★ Installation Notes & Accessories

### Door Panel Kits

- For use with DFB450 custom front dishwasher
- Kit includes one panel and installation hardware
- Add **BR** to end of model number for brass trim option

Model	Description	Approx. ship wt. lbs. (kg)
PDDP24-SS	Professional door panel – no louvers (Stainless Steel)	14 (6.3)
PDDP24-BK	Professional door panel – no louvers (Black)	14 (6.3)
PDDP24-WH	Professional door panel – no louvers (White)	14 (6.3)
PDDP24-MS	Professional door panel – no louvers (Metallic Silver)	14 (6.3)
PDDP24-GG	Professional door panel – no louvers (Graphite Gray)	14 (6.3)
PDDP24-SG	Professional door panel – no louvers (Stone Gray)	14 (6.3)
PDDP24-TP	Professional door panel – no louvers (Taupe)	14 (6.3)
PDDP24-BT	Professional door panel – no louvers (Biscuit)	14 (6.3)
PDDP24-CW	Professional door panel – no louvers (Cotton White)	14 (6.3)
PDDP24-OG	Professional door panel – no louvers (Oyster Gray)	14 (6.3)
PDDP24-GM	Professional door panel – no louvers (Golden Mist)	14 (6.3)
PDDP24-LE	Professional door panel – no louvers (Lemonade)	14 (6.3)
PDDP24-SA	Professional door panel – no louvers (Sage)	14 (6.3)
PDDP24-MJ	Professional door panel – no louvers (Mint Julep)	14 (6.3)
PDDP24-SE	Professional door panel – no louvers (Sea Glass)	14 (6.3)
PDDP24-IB	Professional door panel – no louvers (Iridescent Blue)	14 (6.3)
PDDP24-VB	Professional door panel – no louvers (Viking Blue)	14 (6.3)
PDDP24-PM	Professional door panel – no louvers (Pumpkin)	14 (6.3)
PDDP24-RR	Professional door panel – no louvers (Racing Red)	14 (6.3)
PDDP24-AR	Professional door panel – no louvers (Apple Red)	14 (6.3)
PDDP24-BU	Professional door panel – no louvers (Burgundy)	14 (6.3)
PDDP24-PL	Professional door panel – no louvers (Plum)	14 (6.3)
PDDP24-CH	Professional door panel – no louvers (Chocolate)	14 (6.3)
PDDP24-CB	Professional door panel – no louvers (Cobalt Blue)	14 (6.3)
PDDPL24-SS	Professional door panel – louvers (Stainless Steel)	14 (6.3)
DDDP24-SS	Designer door panel (Stainless Steel)	14 (6.3)
DDDP24-BK	Designer door panel (Black)	14 (6.3)
DDDP24-WH	Designer door panel (White)	14 (6.3)
DDDP24-MS	Designer door panel (Metallic Silver)	14 (6.3)
DDDP24-GG	Designer door panel (Graphite Gray)	14 (6.3)
DDDP24-SG	Designer door panel (Stone Gray)	14 (6.3)
DDDP24-TP	Designer door panel (Taupe)	14 (6.3)
DDDP24-BT	Designer door panel (Biscuit)	14 (6.3)
DDDP24-CW	Designer door panel (Cotton White)	14 (6.3)
DDDP24-OG	Designer door panel (Oyster Gray)	14 (6.3)
DDDP24-GM	Designer door panel (Golden Mist)	14 (6.3)
DDDP24-LE	Designer door panel (Lemonade)	14 (6.3)
DDDP24-SA	Designer door panel (Sage)	14 (6.3)
DDDP24-MJ	Designer door panel (Mint Julep)	14 (6.3)
DDDP24-SE	Designer door panel (Sea Glass)	14 (6.3)
DDDP24-IB	Designer door panel (Iridescent Blue)	14 (6.3)
DDDP24-VB	Designer door panel (Viking Blue)	14 (6.3)
DDDP24-PM	Designer door panel (Pumpkin)	14 (6.3)
DDDP24-RR	Designer door panel (Racing Red)	14 (6.3)
DDDP24-AR	Designer door panel (Apple Red)	14 (6.3)
DDDP24-BU	Designer door panel (Burgundy)	14 (6.3)
DDDP24-PL	Designer door panel (Plum)	14 (6.3)
DDDP24-CH	Designer door panel (Chocolate)	14 (6.3)
DDDP24-CB	Designer door panel (Cobalt Blue)	14 (6.3)





# KITCHEN CLEANUP Built-In 24"W. Dishwasher 450



## ★ Installation Notes & Accessories

### Handle Kits

- For use on locally supplied full overlay panels
- Includes handle and installation hardware
- Allows dishwashers with full overlay panel to coordinate with other Professional and Designer products

Model	Description	Approx. ship wt. lbs. (kg)
PHK23-SS	Professional handle (Stainless Steel)	5 (2.3)
PHK23-BR	Professional handle (Brass)	5 (2.3)
DHK20-SS	Designer handle (Stainless Steel)	5 (2.3)
DHK20-BR	Designer handle (Brass)	5 (2.3)

### Compliance Information



### WARRANTY INFORMATION\*

- One-year full warranty—all components
- Lifetime limited warranty—stainless steel tanks, inner door liner
- Five-year limited warranty—electronic control, racks, motor/pump assemblies, and water distribution system
- Ninety-day limited warranty—cosmetic parts (painted and decorative items)

\*For complete warranty information info see *Use & Care Guide*. Warranty valid on Viking products shipped within the United States and Canada.

