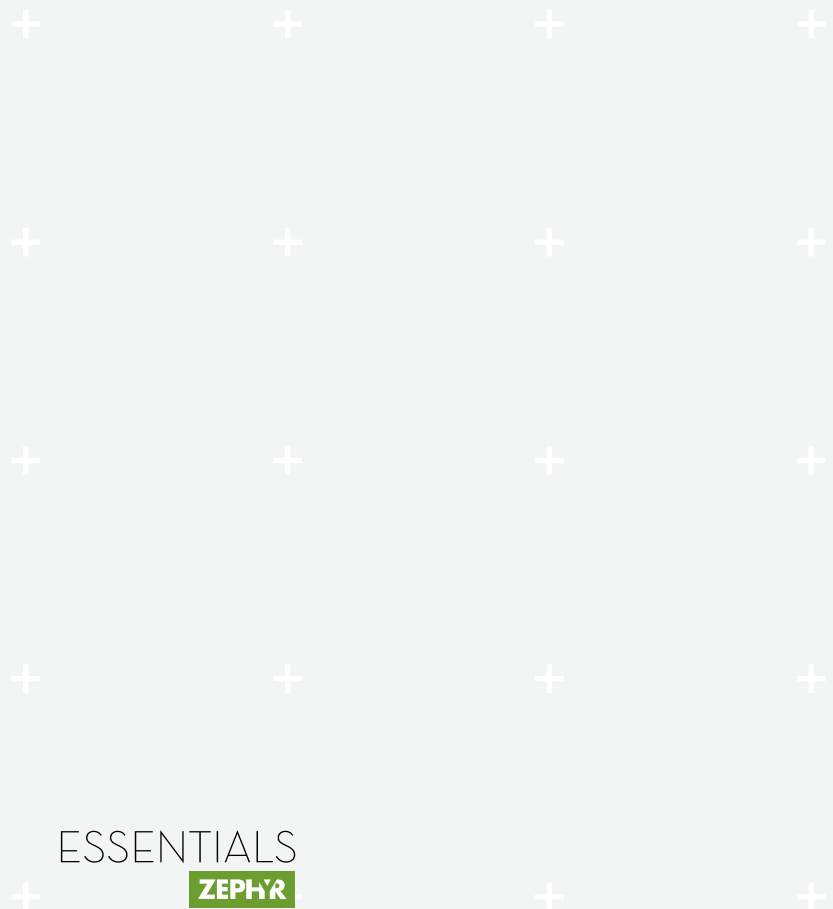


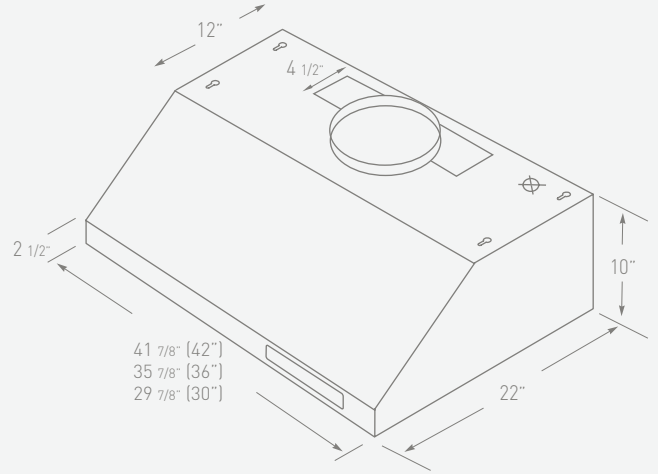
TEMPEST I



When we designed the Tempest I, we set out to maximize efficiency and eliminate the hassles. So we found new ways to make sure all you have to think about is the cooking. Like touch-free controls and built-in sensors that automatically optimize blower speeds. And industrial strength, dishwasher-safe baffle filters to ensure a lifetime of exceptional performance.



ESSENTIALS



TEMPEST I

UNDER CABINET

	MODEL	AK7000S	AK7036S	AK7042S
SIZE		30"	36"	42"
NET WIDTH		29-7/8"	35-7/8"	41-7/8"
PERFORMANCE				
Internal Blower		650 CFM	650 CFM	650 CFM
Internal Blower Sones		6	6	6
COLOR				
Stainless Steel		SS	SS	SS
FEATURES				
Controls		Touch-Free Intelli-Sensor	Touch-Free Intelli-Sensor	Touch-Free Intelli-Sensor
Speed Levels		6	6	6
Auto Delay Off		Yes	Yes	Yes
Auto Self Sensing Operation		Yes	Yes	Yes
Lighting		Halogen, 35W x 2	Halogen, 35W x 2	Halogen, 35W x 2
Dual Level Lighting		Yes	Yes	Yes
Filters		Baffle x 2	Baffle x 3	Baffle x 3
Recirculating		No	No	No
Duct Cover Extension		NA	NA	NA
DUCT SPECIFICATIONS				
Internal Blower - Vertical		6" or 3-1/4"x10"	6" or 3-1/4"x10"	6" or 3-1/4"x10"
Internal Blower - Horizontal		3-1/4"x10"	3-1/4"x10"	3-1/4"x10"
AC INPUT		120V - 60Hz	120V - 60Hz	120V - 60Hz
AC POWER		Max. 240W at 2 Amps	Max. 240W at 2 Amps	Max. 240W at 2 Amps
OPTIONAL ACCESSORIES				
Back Splash w/ Warming Racks		AK0710	AK0716	AK0712

Mounting Height Min. height 24" from cooking surface. Hood mounted 60" from floor.

Max. height 32" from cooking surface. Hood mounted 68" from floor.

