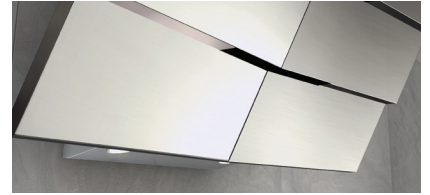


# ARC COLLECTION

## TILT

A contemporary sculpture for the kitchen, Tilt's sextet of subtly angled panels meet in a layered array to form a hinged range-hood canopy like no other. An upwardly mobile front panel lifts for convenient blower access without heavy lifting whenever cleaning or service are required. Dual halogen lamps provide the perfect accent to this powerful wall-mounted statement, clad in your choice of all-stainless steel or stainless underscored with a sleek, black powder coat.



	SIZE	NET WIDTH	COLOR
<b>ATI-M90ABX</b>	36"	35 3/8"	Stainless Steel/Black
<b>ATI-M90ASX</b>	36"	35 3/8"	Stainless Steel



# ARC COLLECTION

## TILT WALL

### MODEL

ATI-M90ABX 36"  
ATI-M90ASX 36"

### FEATURES

Controls Memory Touch Glass  
Speed Levels 3  
Auto Delay-Off Yes  
CleanAir Function Yes  
Remote Control Yes, RF  
Lighting Halogen, 20W x 2  
Tri-Level Lighting Yes  
Filters Decorative Mesh x 1  
Recirculating Yes  
Duct Cover Extension Yes

### \*PERFORMANCE

Internal Blower - CBI-290A 290 CFM, 3.2 Sones Max.  
Internal Blower - CBI-600A 600 CFM, 6 Sones Max.  
In-Line Blower - PBN-1000A 1000 CFM, Sones NA  
External Blower - CBE-1000 1000 CFM, Sones NA

AC INPUT 120V - 60Hz

### \*\*AC POWER

Hood Only Max. 40W, 0.33 Amps

### MOUNTING HEIGHTS

Height from the cooking surface Min. 22" - Max. 32"

### HOOD HEIGHTS

Standard (No Cover) 18 3/4"

### Short Kit - Z1C-00TI

Minimum 35"  
Maximum 52"

### Long Kit - Z1C-01TI

Minimum 51"  
Maximum 85"

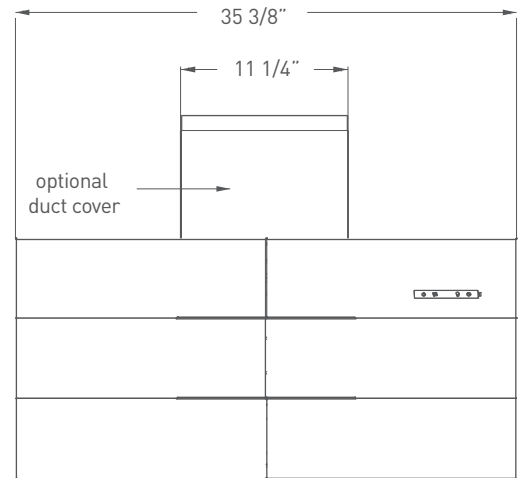
### DUCT SPECIFICATIONS

Vertical - Internal 6"  
Horizontal - Internal 6"  
Vertical/Horizontal - In-Line/External 10" to 8"\*\*\*

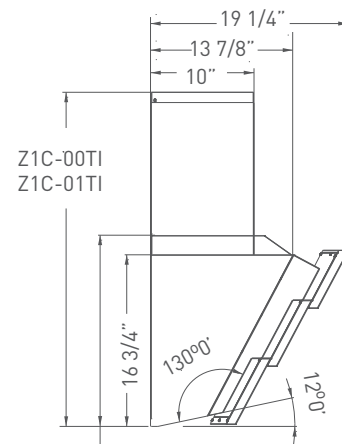
### OPTIONAL ACCESSORIES

Recirculating Kit ZRC-00HZ  
Duct Cover Extension Kit, Short (8'-9' ceiling) Z1C-00TI  
Duct Cover Extension Kit, Long (9'-10' ceiling) Z1C-01TI

\*Requires purchase of Zephyr blower, sold separately. \*\*AC power listed above is for hood with lights only. See blower specs on our website for more AC power details. \*\*\*10" round duct connects to external and in-line blower. Must transition from 10" to 8" before duct passes through ceiling. A 10" to 8" adapter is included with the external and in-line blowers.

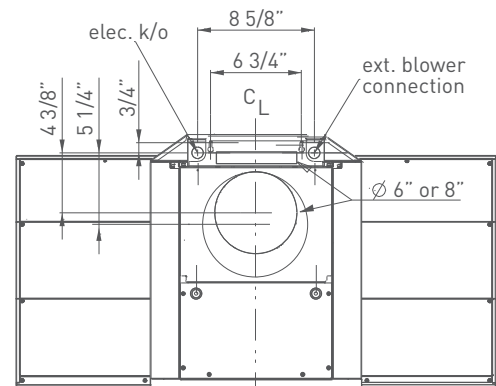


Front



min./max. no cover - 18 3/4"

Side



Back