

*Frigidaire*

Factory Parts Catalog

Product No.	FRE5711KW0
Market	North America
Color	white
Volts	240
Wiring Diagram	137171900
Owner's Guide	137153500
Installation Instructions	137153400

 **Electrolux**

Electrolux Major Appliances  
North & Latin America  
P.O. BOX 212378  
AUGUSTA, GA 30917

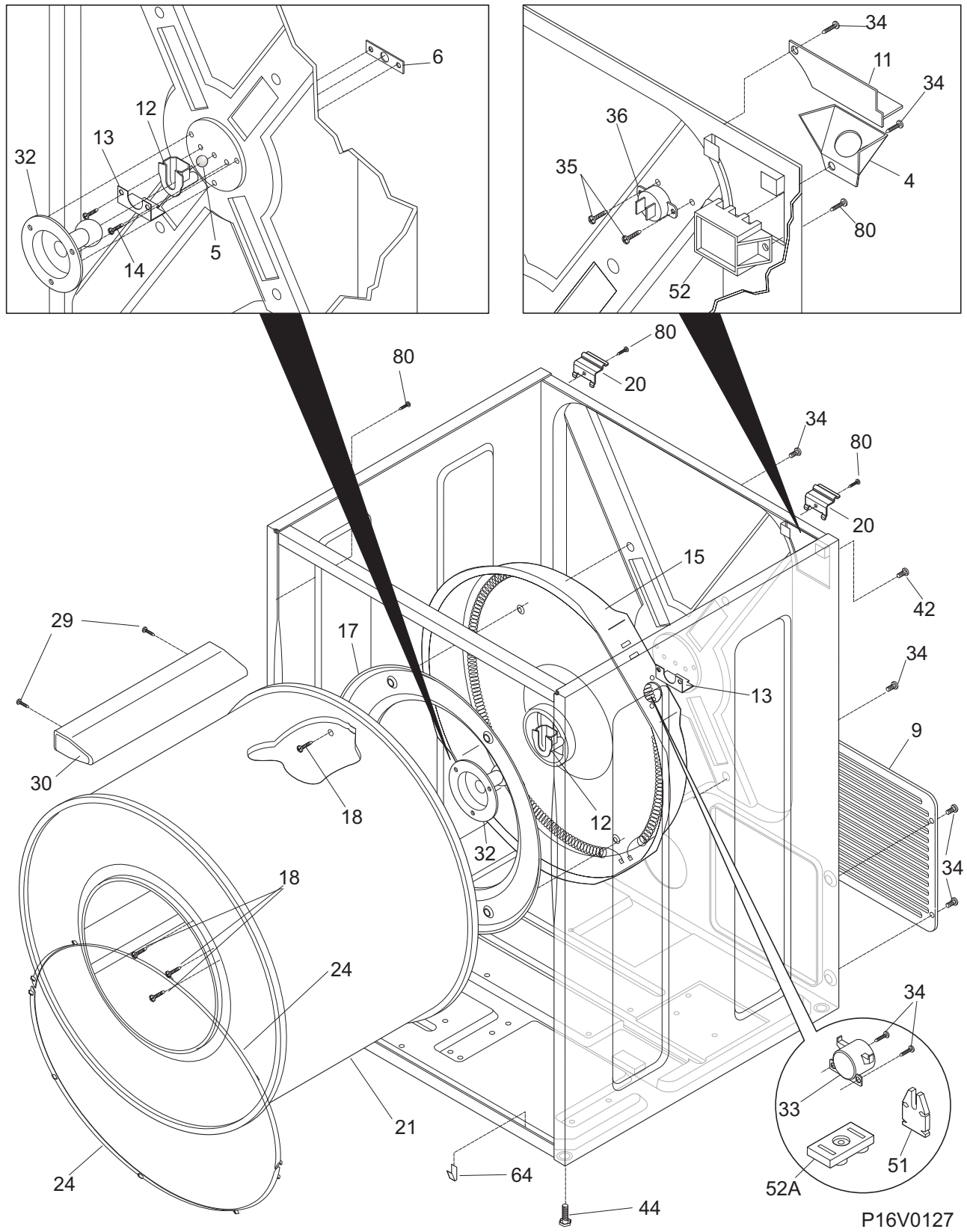
Publication No.  
**5995539342**  
09/05/04  
(EN/SERVICE/WTC)  
361

**ELECTRIC DRYER**

Model No.  
**FRE5711K**

Copyright © 2009 Electrolux Home Products, Inc.  
All rights reserved.

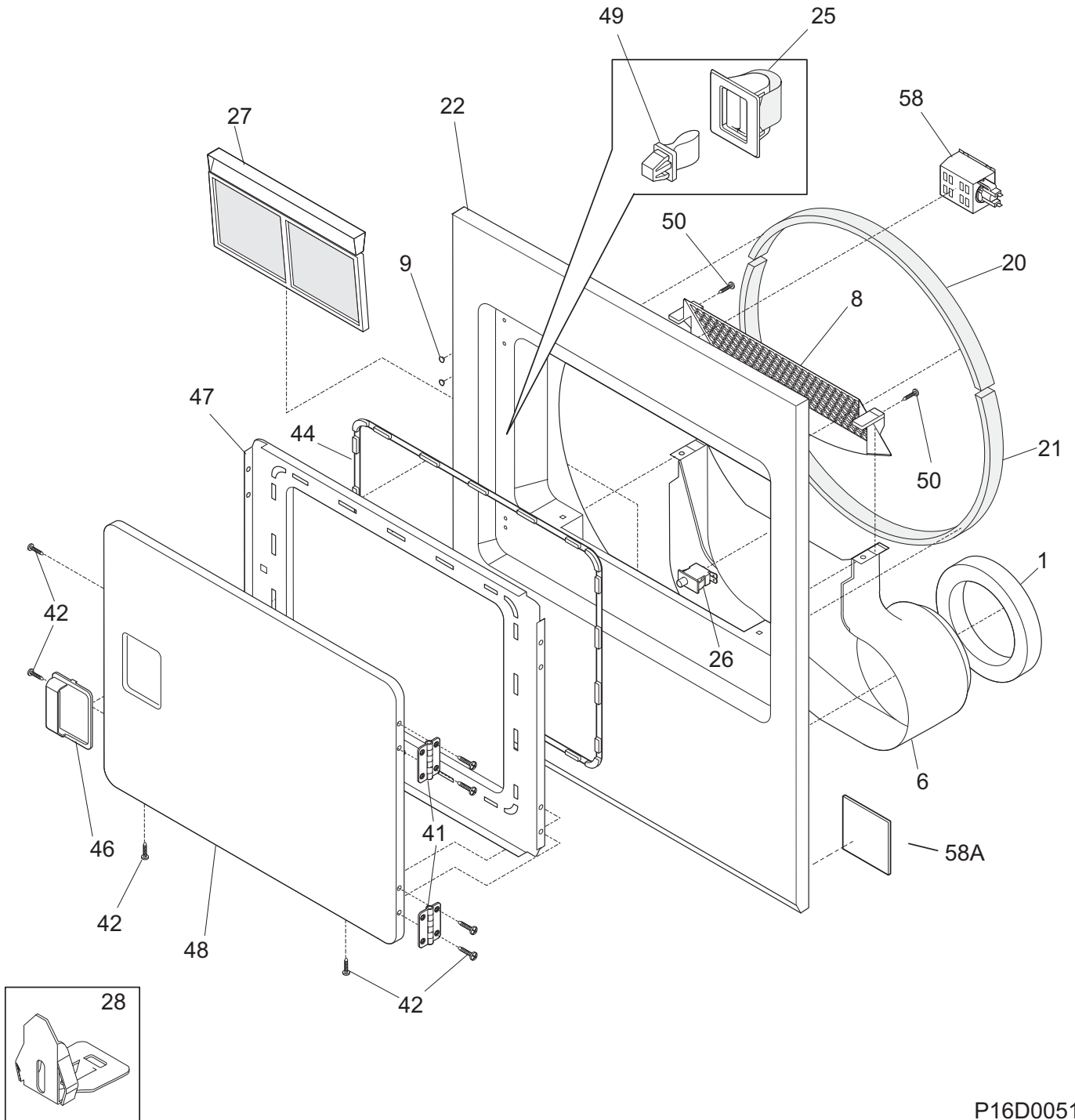
CABINET/DRUM



**CABINET/DRUM**

POS. NO	PART NO.	DESCRIPTION
4	131785200	Bracket, elec power cord, knock out
5	5303281019	Ball, grounding
6	5303281020	Clip, ball, steel, flat nut
9	131793200	Panel, service access, rear
11	5303211428	Cover, terminal block
12	131825900	Bearing, drum support
13	131724300	Bracket, bearing support
14	131205400	Screw, bracket mtg., 10-16B x 1.375, cr/sq drive
15 #	131553900	Heater Assy, w/housing/felt
17	3204254	Baffle, heater shield
18	131477000	Screw, 10-16AB x 0.375
20	131469100	Bracket, hinge, rear, top panel mtg.
21	134122532	Drum, dryer, galvanized stl., service kit
24	131963900	Glide, drum
29	131382300	Screw, quadrex head, 10-14 x 1.00, vane mtg., special
30	5303201200	Vane, straight
32	137088620	Shaft, drum support, ballhitch
32*	5303307893	Lubricant, high temp
33 #	3204267	Thermostat, safety
34	131243700	Screw, pan head, 8-18AB x 0.375
35	131892100	Screw, 6-20B x 0.230
36 #	134120900	Thermal Limiter
42	134154100	Screw, hex washer head, 10-32 x 0.375, ground
44	134158000	Leveling Leg, screw
51	131472100	Insulator, heater housing
52 #	134101400	Terminal Block, main
52A#	3202786	Terminal Block, heater housing
64	131704600	Clip, front, cabinet bottom
80	134547800	Screw, 10-16AB x 0.375
* #	5303281153	Rear Bearing Kit, includes 5, 6, 12, 13, 14, 18, 32

FRONT PANEL/LINT FILTER



P16D0051

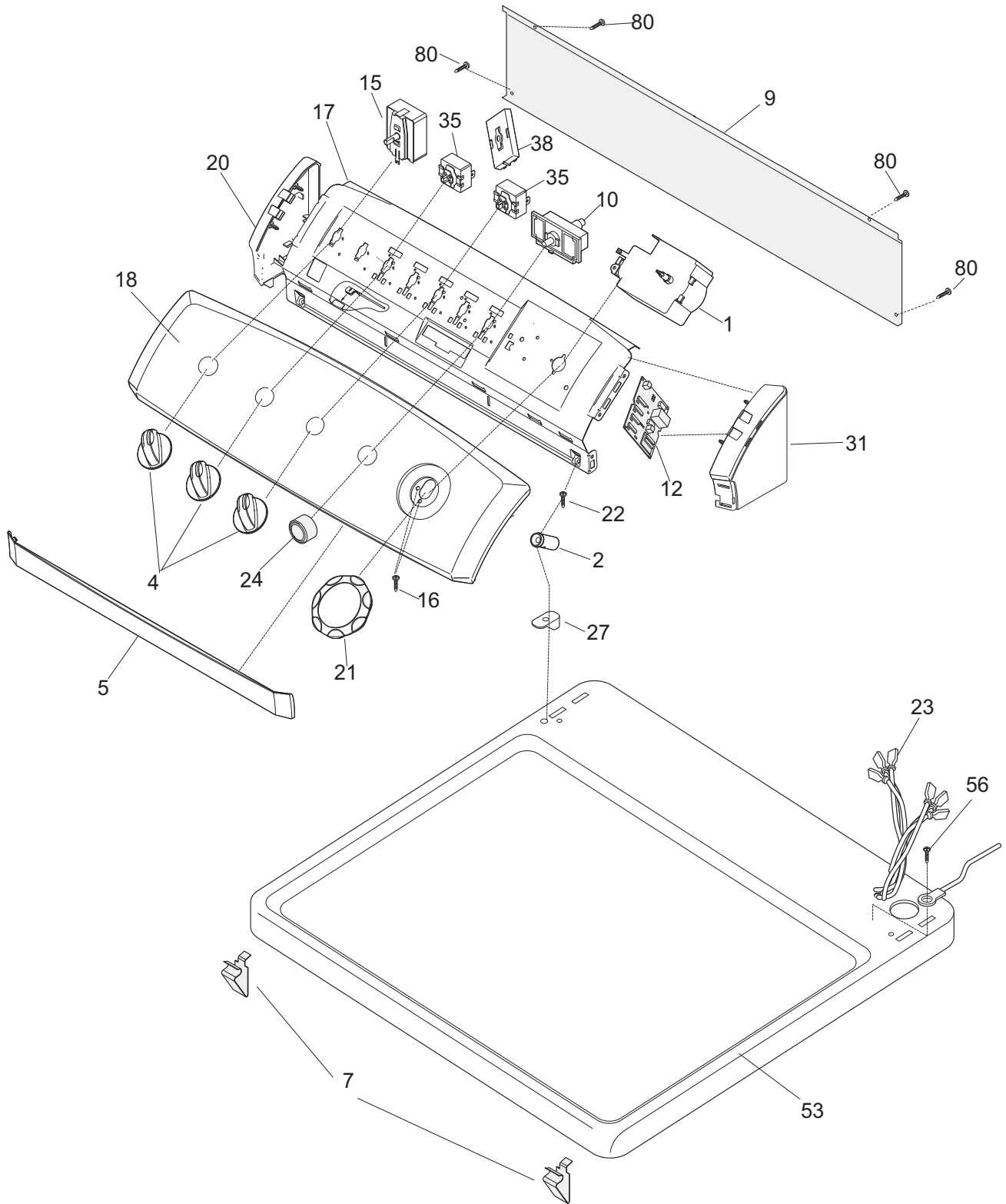
---

**FRONT PANEL/LINT FILTER**


---

POS. NO	PART NO.	DESCRIPTION
1	134417000	Seal, air duct
6	131621900	Duct, air
8 #	131845800	Cover, lint housing, w/moist sensor
9	131633200	Plug, white
20	134440200	Seal, felt, upper
20*	5308027429	• Adhesive, high temp
21	134134700	Seal, felt, lower
22	131845912	Panel, front, white, w/lamp hole
22*	131474700	Insulation
25	131658800	Door Catch, upper
26 #	134813601	Switch, door, rectangle, white, with drum light
27	131450300	Trap, lint blade assy
28	134440000	Clip, guide
41	134222900	Hinge, dryer door
42	134156200	Screw, flat head, 8-18AB x 0.44, quad drive
44	131129900	Gasket, door seal
46	131644700	Handle, door, white
47	131844104	Panel, inner door, white
48	131789303	Panel, outer door, white
49	5303211430	Door Strike
50	131303300	Screw, pan head, 10-16AB x 0.500, locking
58 #	131843500	Lamp Assy, drum light, w/mtg bracket
58*#	131862800	• Lamp
58A	131744202	Damper, vibration

**CONTROLS/TOP PANEL**



P16C0242

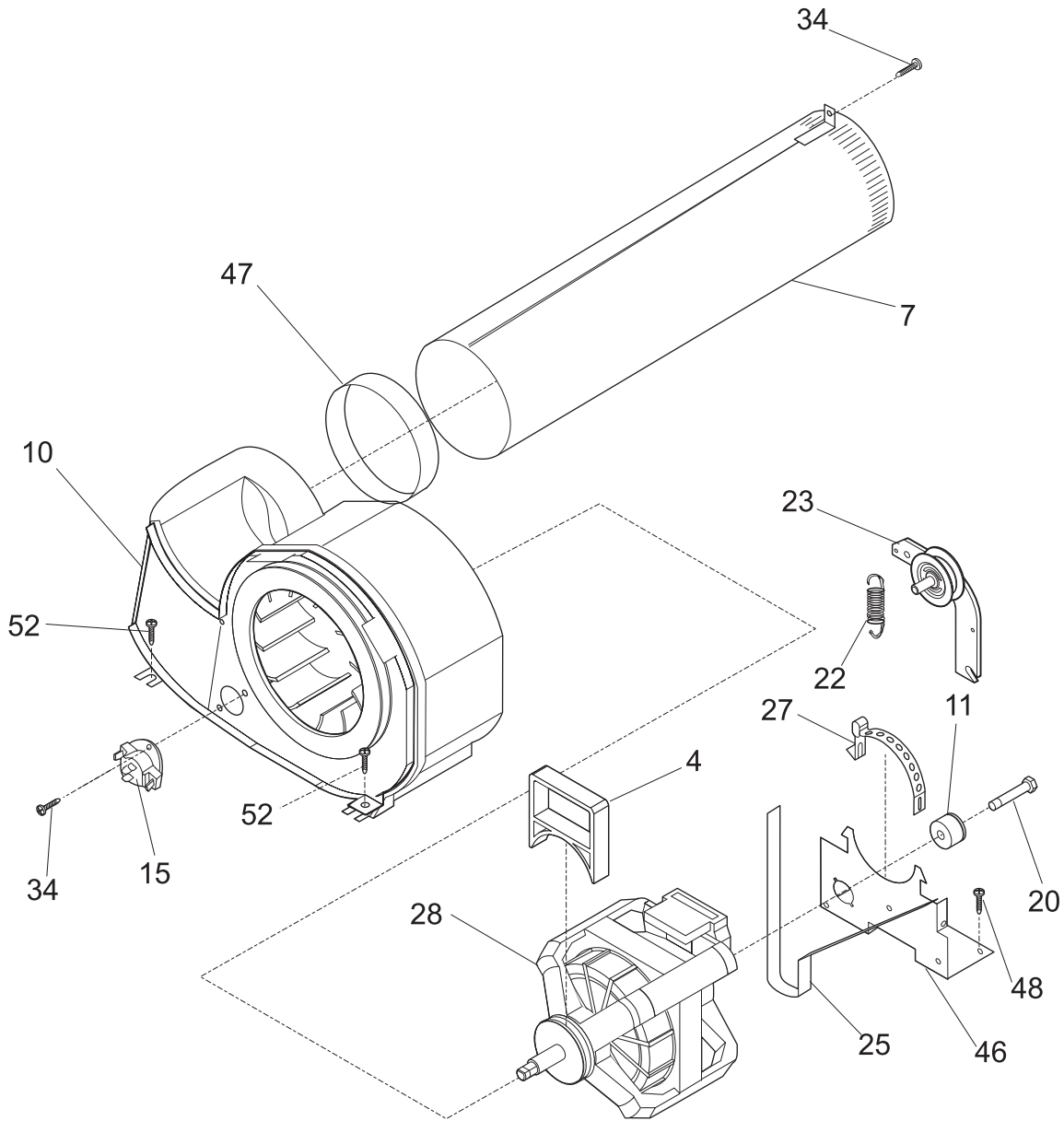
---

**CONTROLS/TOP PANEL**


---

POS. NO	PART NO.	DESCRIPTION
1 #	131960800	Timer, dryer, 4 off
2	134096100	Spacer, console mtg
4	134844410	Knob, rotary, white
5	134019900	Closure, console trim, white, front
7	3205821	Clip, top-to-front
9	131992900	Panel, backsheet, console
10 #	131469000	Switch, push/start
12 #	134216300	Control Board, moisture sensor
15 #	134398600	Switch, temperature, 4 posn rotary
16	134034300	Screw, pan hd phillips, 8-18B x 0.250
17	131993040	Bracket, control mtg.
18	137152800	Panel, trimplate, white, console front
20	134019610	End Cap, white, LH
21	134886700	Knob, timer, white
22	131266330	Screw, 8-18 x 1.250
23	137171700	Harness
23*#	134101400	Terminal Block, main
24	131111501	Button, start switch, white, push type
27	131197000	Clip, console mtg
31	134019600	End Cap, white, RH
35 #	134904500	Switch, temp selector, 2 position
38 #	131629400	Buzzer, mini
38*#	131629600	Wiring Harness, mini buzzer
53	134086802	Panel, dryer top, white, console mtg
56	131243800	Screw, pan hd locking, 8-32CA x 0.375, cup point
80	134547800	Screw, 10-16AB x 0.375

**MOTOR**



P16M0024



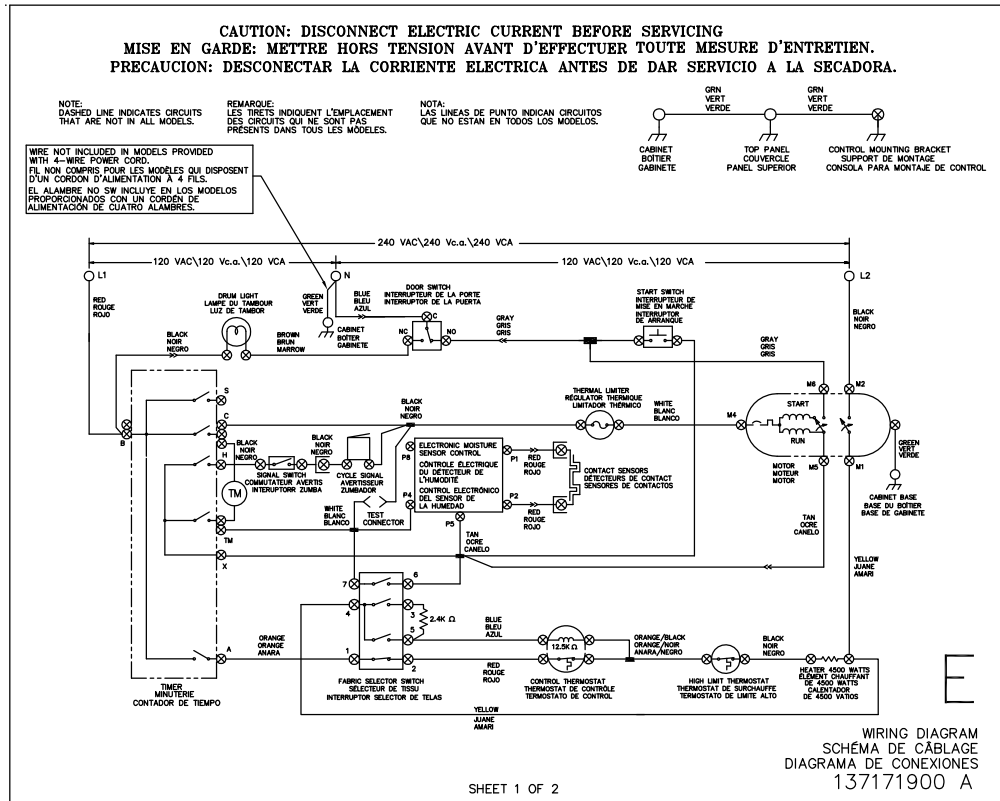
---

**MOTOR**

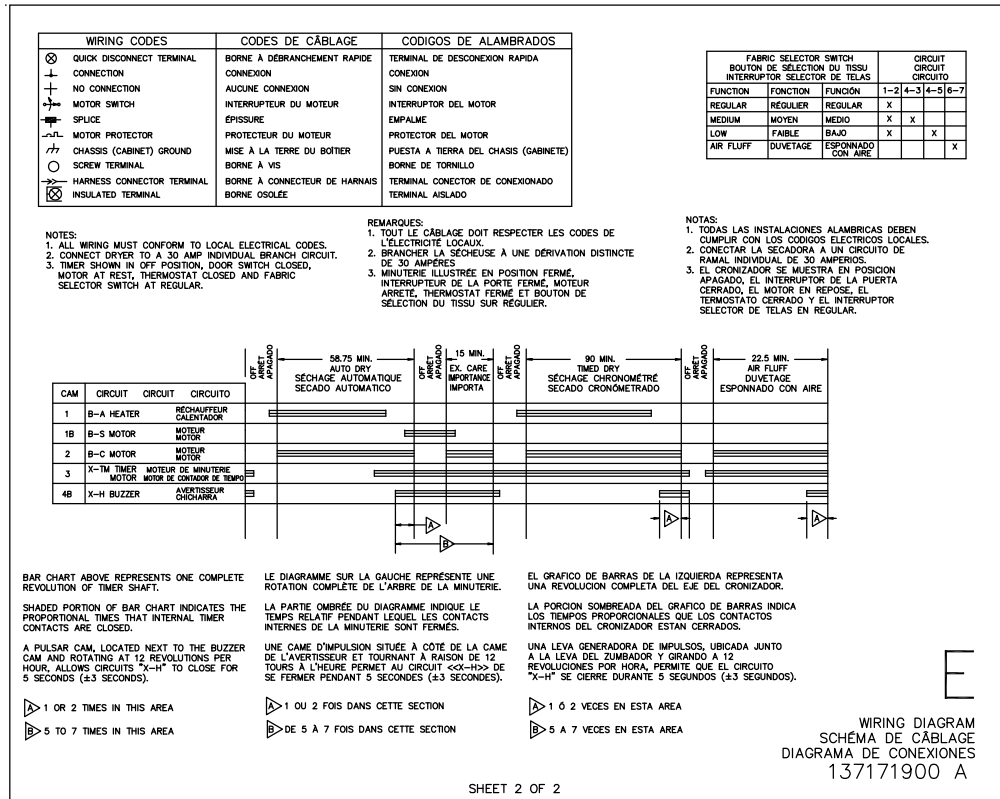

---

POS. NO	PART NO.	DESCRIPTION
4	131435200	Lock, blower housing
7	131451600	Tube, exhaust, rear, w/mtg bracket
7*	131456800	Tube, exhaust, side/bottom, Optional Kit
10 #	131775600	Blower Assy, housing, w/cover & wheel
11	131749800	Spacer, idler
15 #	134048800	Thermostat, control
20	131017900	Screw, hex head, 1/4-20T x 1.25, spacer mtg., thread cutting
22	131601000	Spring, idler arm
23 #	131863007	Idler Arm Assy, w/pulley
25 #	134503600	Belt, dryer
27	134242400	Clamp, motor mtg.
28 #	131560100	Motor & Pulley Assy
34	131243700	Screw, pan head, 8-18AB x 0.375
46	134203400	Bracket, motor mtg
47	131633300	Seal, exhaust tube
48	134547800	Screw, 10-16AB x 0.375
52	131202300	Screw, 10-16AB x 0.625

WIRING DIAGRAM



SHEET 1 OF 2



SHEET 2 OF 2