

Frigidaire

Factory Parts Catalog

Product No.	FGF326KBA	FGF326KSA
Series	30" f/s gas	30" f/s gas
Color	black	white
Market	North America	North America
Owner's Guide	316417139	316417139
Installation Instructions	316259343	316259343
Service Data Sheet	316441709	316441709

 **Electrolux**

Electrolux Major Appliances
North & Latin America
P.O. BOX 212378
AUGUSTA, GA 30917

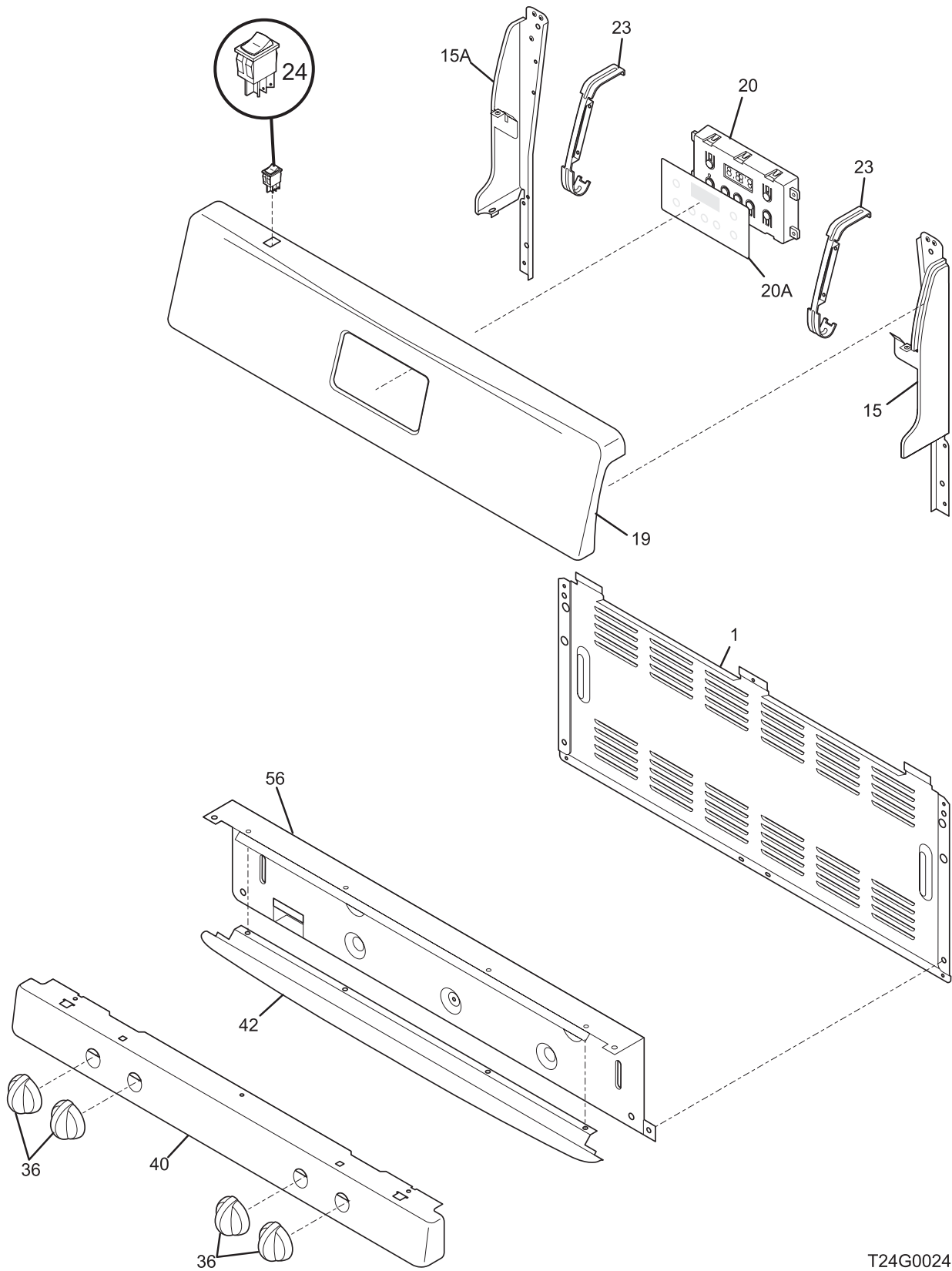
Publication No.
5995533493
09/02/17
(EN/SERVICE/BJH)
369

**30-INCH FREE-
STANDING GAS
RANGE**

**Model No.
FGF326K**

Copyright © 2009 Electrolux Home Products, Inc.
All rights reserved.

BACKGUARD



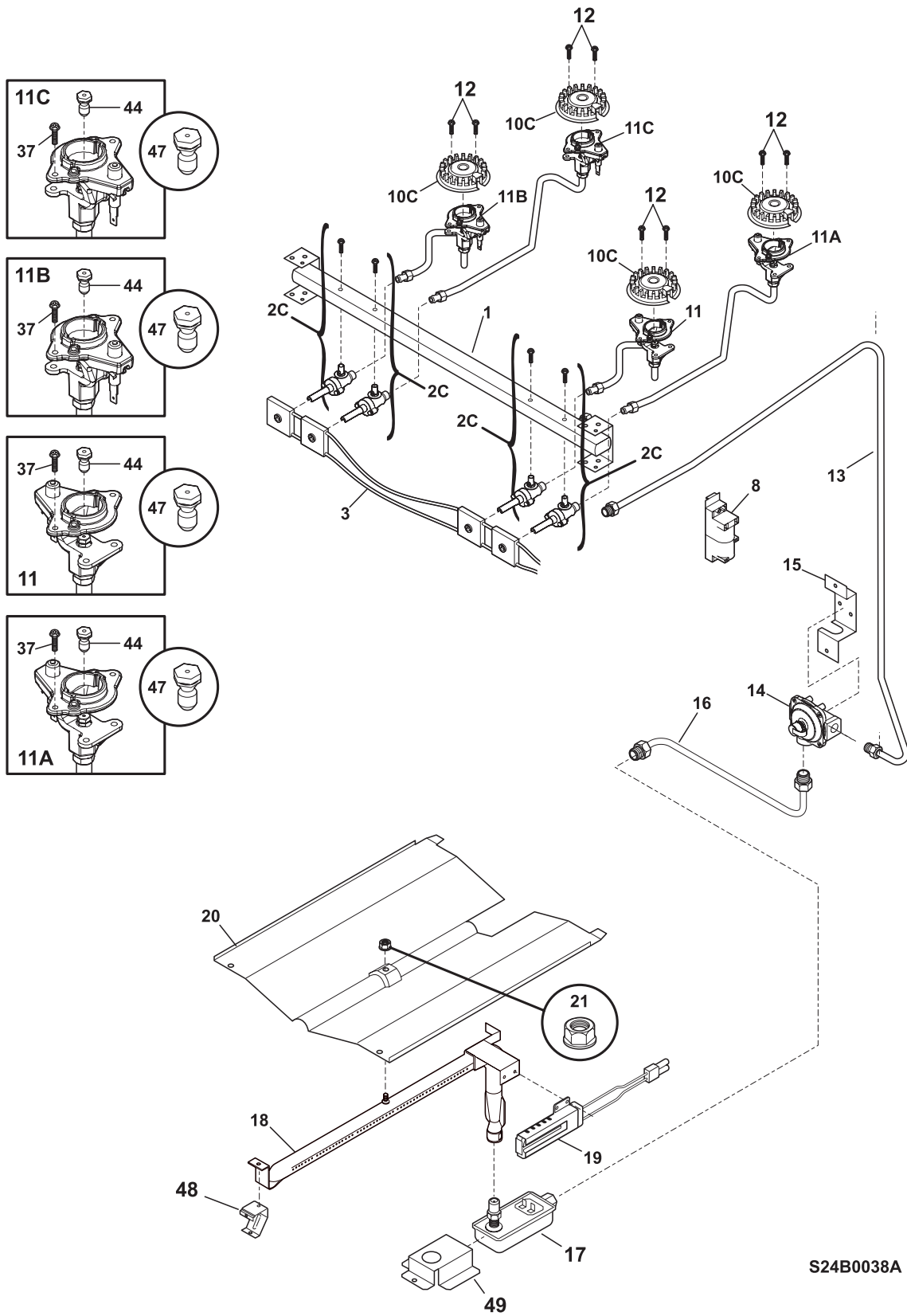
T24G0024

BACKGUARD

Model Index: **A** FGF326K (FGF326KBA)
 B FGF326K (FGF326KSA)

POS. NO	PART NO.		DESCRIPTION
1	316416100	A B	Shield, backguard, rear wall
15	316411405	A -	Support, backguard, black, RH
15	316411403	- B	Support, backguard, white, RH
15A	316411404	A -	Support, backguard, black, LH
15A	316411402	- B	Support, backguard, white, LH
19	316445218	A -	Panel, backguard, black
19	316445219	- B	Panel, backguard, white
20 #	316455410	A B	Clock/Timer, electronic, ES100
20A	316220701	A -	Overlay, clock, black
20A	316220700	- B	Overlay, clock, white
23	316441600	A B	Bracket-clock mtg, black
24 #	316448700	A -	Switch, rocker, black, oven light
24 #	316448701	- B	Switch, rocker, white, oven light
36	316220009	A -	Knob, top valve, black, 4
36	316220008	- B	Knob, top valve, white, (4)
40	316204988	A -	Panel, manifold, black
40	316204987	- B	Panel, manifold, white
42	316270600	A -	Trim, extrusion, black
42	316270601	- B	Trim, extrusion, grey
56	316230701	A B	Shield, backguard, inner
*	316021105	A B	Screw, hex head cup pt, 8-18 x 0.375, black
*	316021108	A B	Screw, cup pt, 8-18 x 0.375, chrome
*	316021109	A B	Screw, 8-18 x 0.5, chrome

BURNER



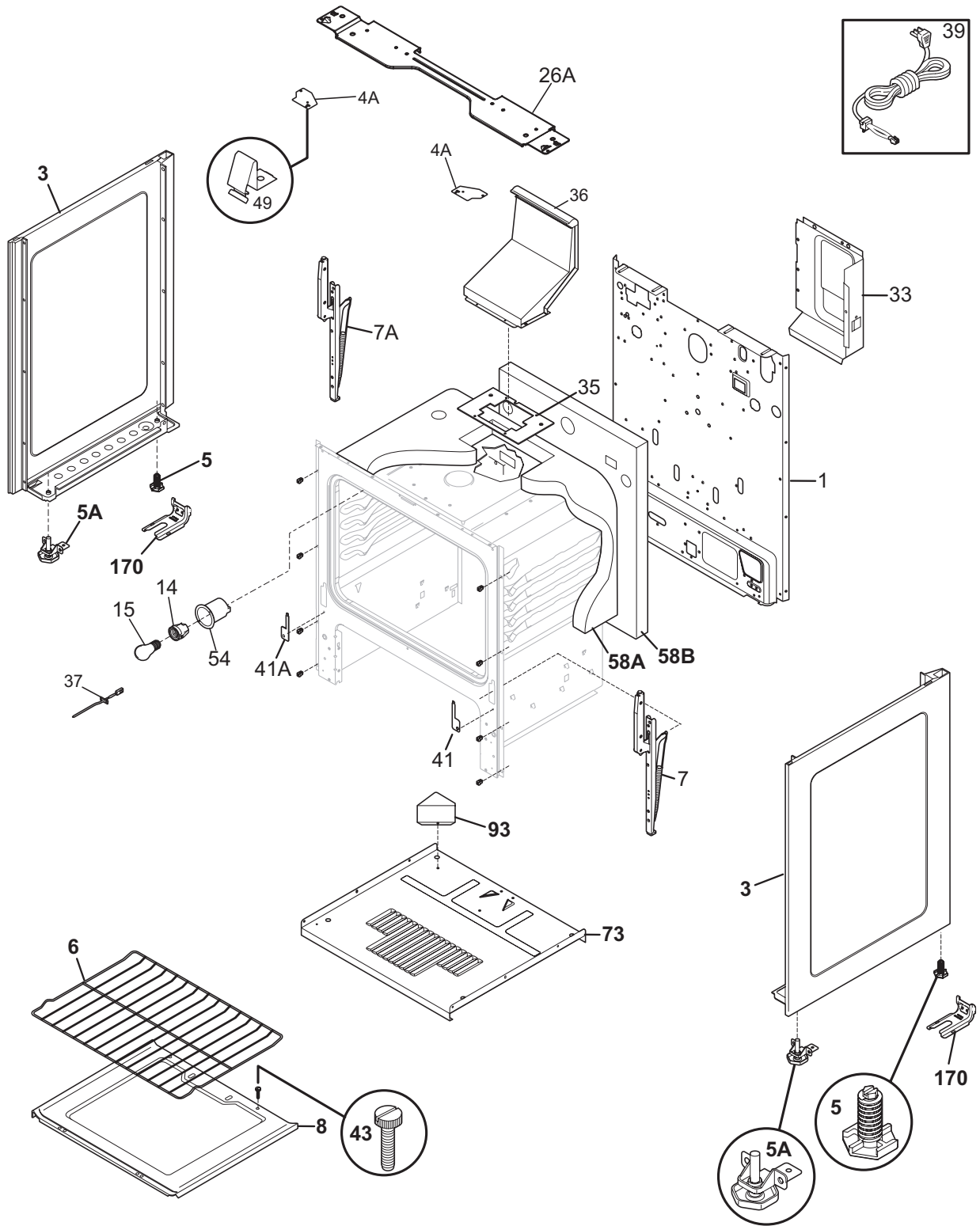
S24B0038A

BURNER

Model Index: A FGF326K (FGF326KBA)
B FGF326K (FGF326KSA)

POS. NO	PART NO.		DESCRIPTION
1 #	316446800	A B	Pipe, manifold
2C #	5303935305	A B	Valve, 9.5K burner, w/mtg screw
*	316215600	A B	Screw, valve mtg., 1/4 - 20
3 #	316219019	A B	Wiring Harness, w/igntr switch
8 #	316135702	A B	Module, spark
*	316443200	A B	Bracket-support
10C#	316527400	A B	Burner, sealed, 9.5K
11	316536603	A B	Ignitor/orifice assy., top burner, right front, 9.5K, w/holder, tube
11A	316536601	A B	Ignitor/orifice assy., top burner, right rear, 9.5K, w/holder, tube
11B	316536602	A B	Ignitor/orifice assy., top burner, left front, 9.5K, w/holder, tube
11C	316536600	A B	Ignitor/orifice assy., top burner, left rear, 9.5K, w/holder, tube
*	316529700	A B	Screw, burner head, mtg., (10)
13	316545800	A B	Tube, 3/8, aluminum, rgltr to manf, with fittings
14 #	316091706	A B	Regulator, pressure
14*	316021104	A B	Screw, hex, 8-18 x 3/8, nick, (3), regulator brkt
15	316091600	A B	Bracket, regulator
16 #	316436500	A B	Tube-valve to rgltr, 3/8
17 #	3203459	A B	Valve, safety
18 #	316114300	A B	Burner, oven
19 #	316489402	A B	Ignitor, oven kit, w/nut & instr
20	316496001	A B	Baffle, oven burner
21	5303013272	A B	Nut, hex head sems
37	316240600	A B	Screw, assy mtg, (8), ignitor/orifice
44	316527500	A B	Orifice, top burner, 9.5K
47	GRLP3	A B	LP Conversion Kit, w/instructions
47#	316417518	A B	Instructions, LP conversion
48	3018603	A B	Bracket, support, oven burner
49	316416300	A B	Bracket, safety valve
* #	316526901	A B	Harness, ignitor
*	5303271648	A B	Screw, wafer hd sq dr, 8-18AB x 0.5

BODY



NOTE: Oven Liner N/A
Ass. du four N/A

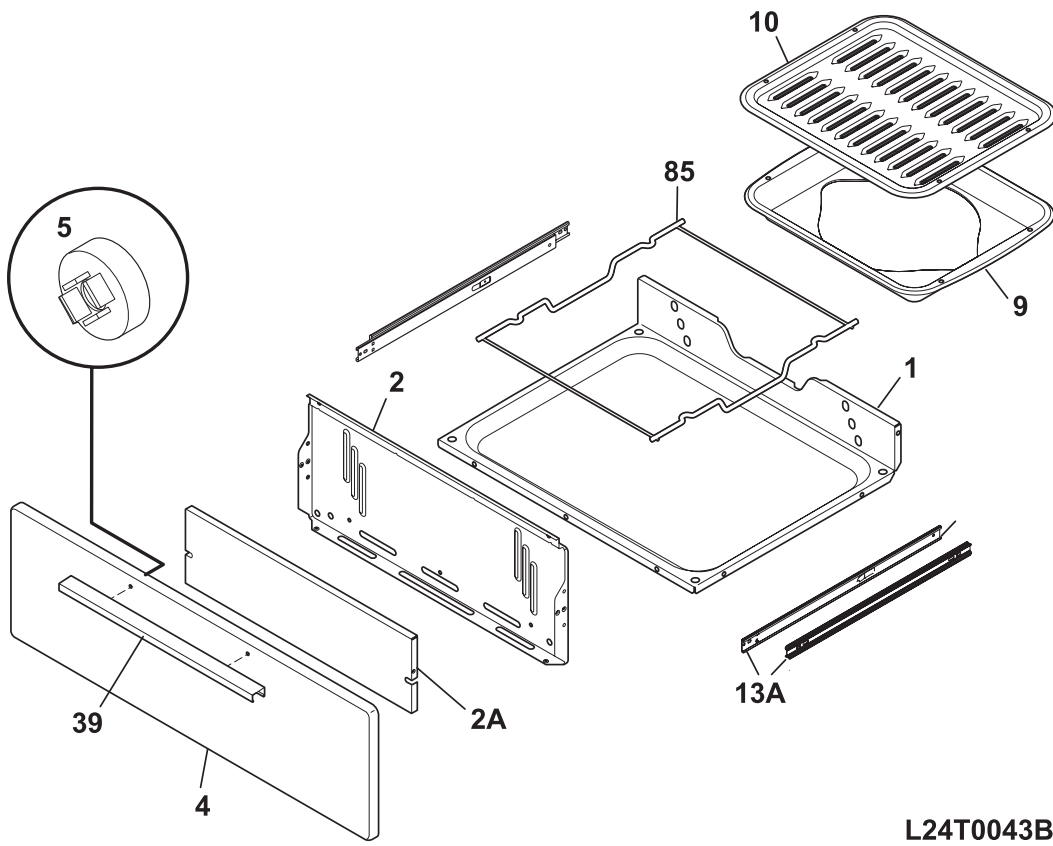
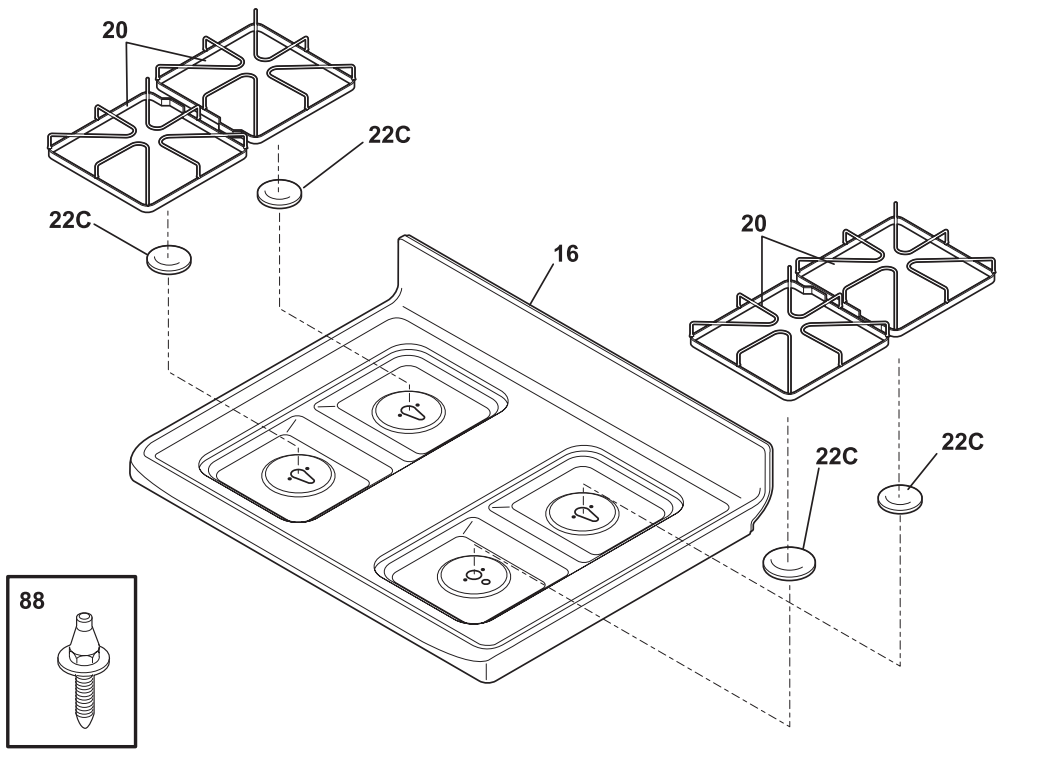
T24V0087B

BODY

Model Index: A FGF326K (FGF326KBA)
B FGF326K (FGF326KSA)

POS. NO	PART NO.		DESCRIPTION
1	316029415	A B	Panel, main back
3	316400118	A -	Panel, bodyside, black, RH
3	316400119	A -	Panel, bodyside, black, LH
3	316400116	- B	Panel, bodyside, white, RH
3	316400117	- B	Panel, bodyside, white, LH
4A	316446900	A B	Bracket, chassis, front, (2)
5	316272900	A B	Screw, leveling, plastic, rear, (2)
5A	316498900	A B	Leveling Leg Assy, metal, front, (2), bracket & leg
6	316067902	A B	Rack, oven, (2)
7	316216502	A B	Hinge, oven door, RH
7A	316216503	A B	Hinge, oven door, LH
8	316495901	A B	Panel,, oven bottom
8*	316064600	A B	Support, oven bottom
14	316116400	A B	Receptacle, oven light
15	316538901	A B	Lamp, oven light
26A	316498200	A B	Bracket-support, chassis, aluminum
33	316055600	A B	Shield, spark module, galv steel
35	316542100	A B	Gasket-flue
36	316208902	A B	Flue, black
37 #	316233900	A B	Probe, oven temp
39	3202006	A B	Cord, electric power
41	316233400	A B	Cover, hinge cutout, RH
41A	316233500	A B	Cover, hinge cutout, LH
43	3131732	A B	Screw, 8-18 x 1.438, oven bottom
49	316234200	A B	Clip, maintop mtg, (2)
54	5303271606	A B	Housing, oven light
58A	3017142	A B	Insulation, oven wrapper
58B	316054202	A B	Insulation, 1", oven back
73	316109902	A B	Base, low broil
93	316110000	A B	Shield, ignitor, metal
170	316112004	A B	Anti Tip Kit, assembly
170*	316107200	A B	Bracket, anti-tip
170*	316116000	A B	Screw, concrete, 1.75", anti-tip brkt
170*	316541700	A B	Template, anti-tip
*	316528101	A B	Harness, wiring, main
*	316435800	A B	Plate, weight, (3)
*	316539800	A B	Retainer, wire
*	316021105	A B	Screw, hex head cup pt, 8-18 x 0.375, black
*	316021110	A B	Screw, 8-18 x 0.5, black
*	316089500	A B	Screw, 10-16 x .486
*	5303271648	A B	Screw, wafer hd sq dr, 8-18AB x 0.5
*	5303285179	A B	Screw, wafer head, 8-32T x 0.500, black

TOP/DRAWER



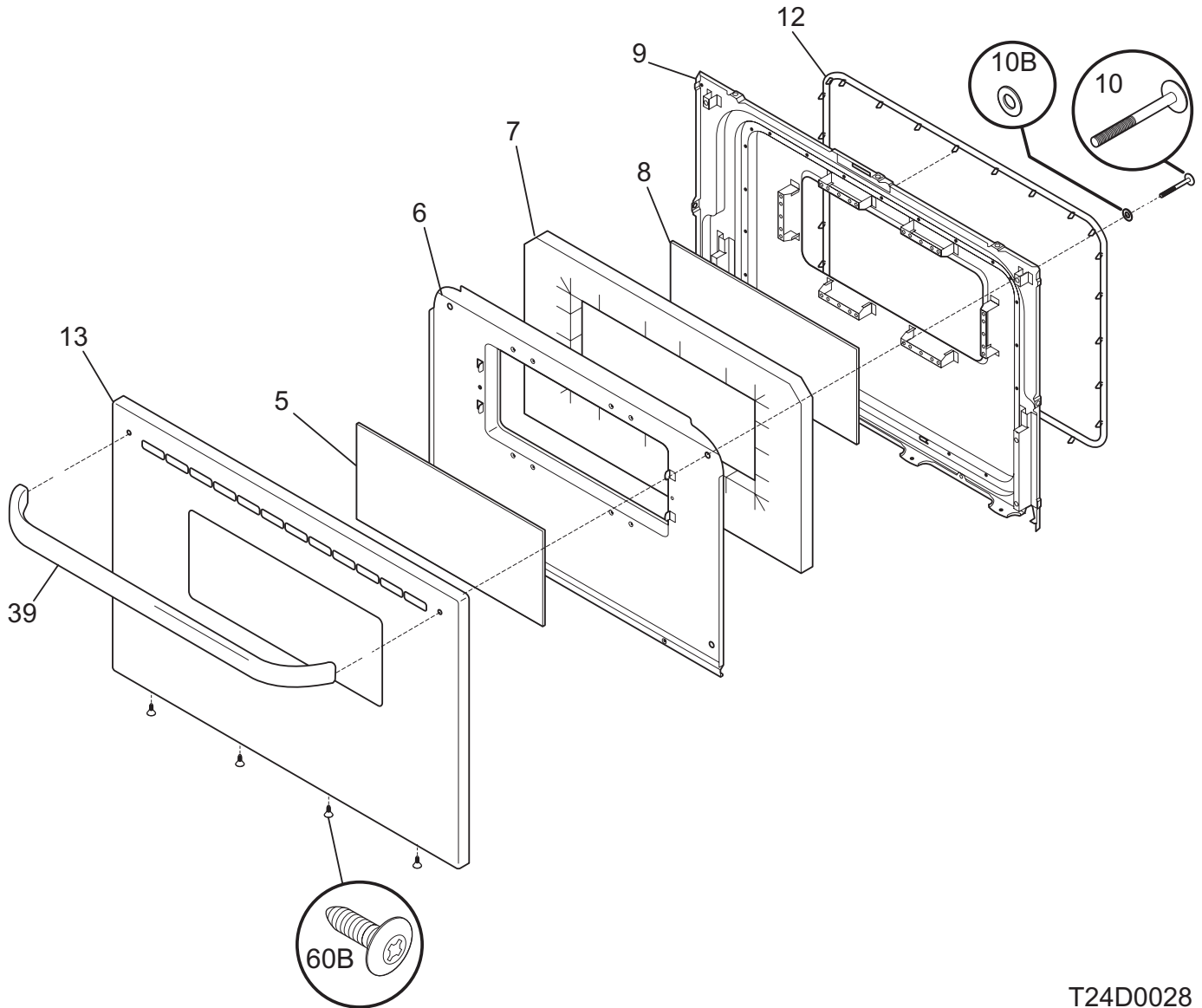
L24T0043B

TOP/DRAWER

Model Index: **A** FGF326K (FGF326KBA)
 B FGF326K (FGF326KSA)

POS. NO	PART NO.		DESCRIPTION
1	316110201	A B	Carriage, low broil
2	316236401	A B	Liner, low broil
2A	316541500	A B	Shield, broiler
4	316231212	A -	Panel, drawer, black
4	316231211	- B	Panel, drawer, white
5	316129100	A B	Fastener, push-in nut, nylon, spacer
9	316081902	A B	Pan, broiler, slate blue
10	316082002	A B	Insert, broiler pan, slate blue
13A	316534200	A B	Glide-Low Broil, Inner
16	316202367	A -	Main Top, black
16	316202368	- B	Main Top, white
20	316463200	A B	Grate, gloss black, (4)
22C	316527700	A B	Cap, 9.5K burner, black, medium
39	316019512	A -	Handle, drawer, black
39	316019511	- B	Handle, drawer, white
85	316115600	A B	Rack, low broil
88	316099500	A B	Pin, guide, (2)
*	316021105	A B	Screw, hex head cup pt, 8-18 x 0.375, black
*	316021109	A B	Screw, 8-18 x 0.5, chrome
*	316021110	A B	Screw, 8-18 x 0.5, black
*	316021120	A B	Screw, shoulder head, 8-18 x 5/8, (2), square drive

DOOR



T24D0028

DOOR

Model Index: **A** FGF326K (FGF326KBA)
 B FGF326K (FGF326KSA)

POS. NO	PART NO.		DESCRIPTION
5	316458300	A B	Glass, oven door, clear, outer
6	316222709	A B	Shield, oven door, wool
7	316236802	A B	Insulation, oven door
8	316088600	A B	Glass, oven door, inner
9	316230622	A B	Liner, oven door
10	316001014	A B	Screw, waf hd sq, 10-24 x 1.6, handle, (2)
10B	316008401	A B	Washer, 3/4 OD x 1/4 ID, steel
12	316239700	A B	Seal, oven door
13	316202701	A -	Panel, oven door, black
13	316202702	- B	Panel, oven door, white
39	316456900	A -	Handle, oven door, black
39	316456901	- B	Handle, oven door, white
60B	316021110	A B	Screw, 8-18 x 0.5, black
*	316433600	A B	Label, anti-tip
*	316245600	A B	Seal, door, air gap
*	316021109	A B	Screw, 8-18 x 0.5, chrome
*	5303271648	A B	Screw, wafer hd sq dr, 8-18AB x 0.5
*	5303285179	A B	Screw, wafer head, 8-32T x 0.500, black