

KitchenAid® 30", 36" and 48" Wall-Mount Canopy Range Hood

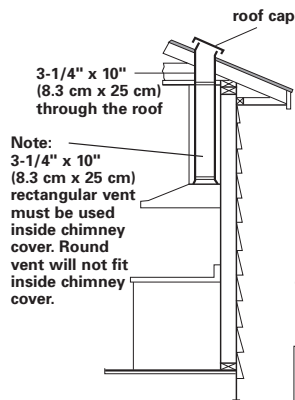
PRODUCT MODEL NUMBERS

KWCU205H
KWCU265H
KWCU285H

Electrical: 120-volt, 60-Hz, AC-only, 15-amp. electrical supply. Use copper wire only. A time-delay fuse or circuit breaker and separate circuit is recommended.

VENTING REQUIREMENTS

Vertical roof venting



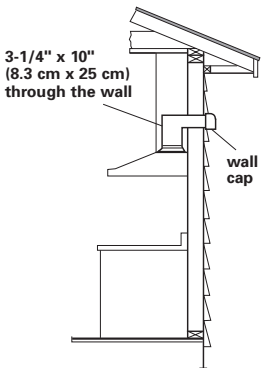
The vent system length should not exceed the lengths shown in the chart below.

Vent size	Maximum length
3-1/4" x 10" (8.3 cm x 25 cm)	35 ft. (10.7 m)
7" (17.8 cm) round	40 ft. (12.2 m)
8" (20.3 cm) round	50 ft. (15.2 m)
9" (22.9 cm) round	60 ft. (18.3 m)

To calculate the length of the system you need, add the equivalent feet for each vent piece used in the system.

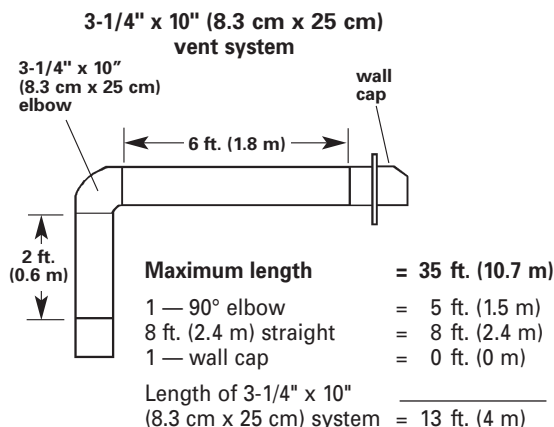
Vent Piece	3-1/4" x 10" (8.3 cm x 25 cm) Rectangular	7" (17.8 cm), 8" (20.3 cm) or 9" (22.9 cm) Round
45° elbow	7.0 feet (2.1 m)	2.5 feet (0.8 cm)
90° elbow	5.0 feet (1.5 m)	5.0 feet (1.5 m)
90° flat elbow	12.0 feet (3.7 m)	
transition to round	5.0 feet (1.5 m)	
wall cap	0.0 feet (0.0 m)	

Horizontal wall venting

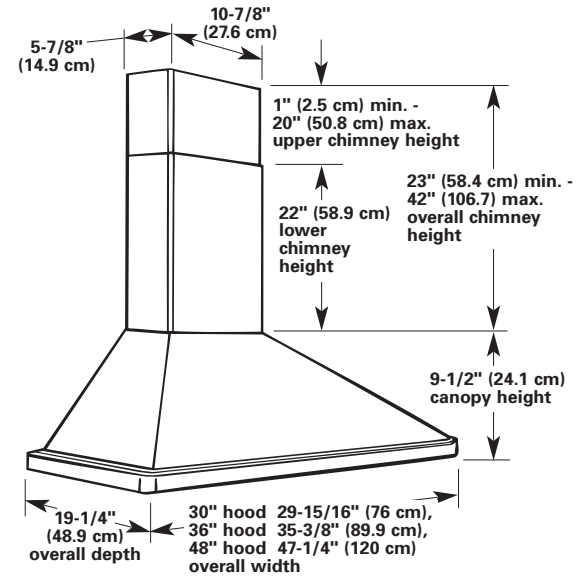


Note: Flexible vent is Not recommended.

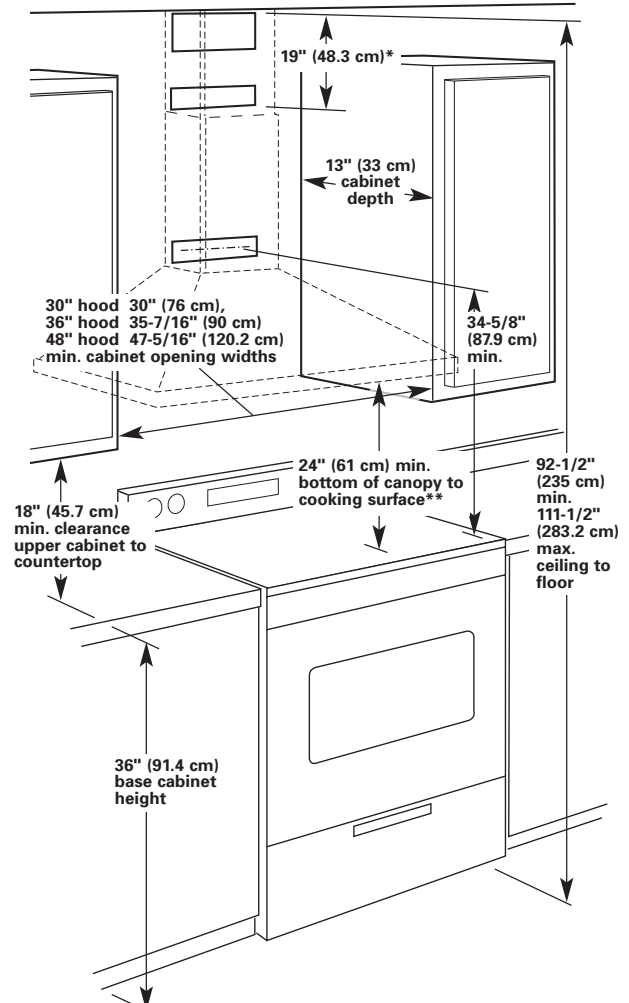
If it is used, each foot of flexible vent used is equivalent to two feet (61 cm) of straight metal vent when calculating the vent system length. (Example: A flexible elbow equals two standard elbows.)



OVERALL DIMENSIONS



CABINET OPENING DIMENSIONS



* If the canopy hood is installed higher than 24" (61 cm) above the cooking surface, the middle bracket must be installed at the bottom point of the upper chimney sleeve.

** If the canopy hood is mounted higher than 24" (61 cm) above cooking surface, depending on ceiling height, upper chimney may need to be cut.